

US00D804340S

(12) **United States Design Patent** (10) **Patent No.:** **US D804,340 S**
Massa (45) **Date of Patent:** **** Dec. 5, 2017**

(54) **WATER SAMPLING AND MONITORING STATION**

(71) Applicant: **Nancy Diane Massa**, San Ramon, CA (US)

(72) Inventor: **Nancy Diane Massa**, San Ramon, CA (US)

(**) Term: **15 Years**

(21) Appl. No.: **29/573,321**

(22) Filed: **Aug. 4, 2016**

(51) **LOC (10) Cl.** **10-04**

(52) **U.S. Cl.**
USPC **D10/81**

(58) **Field of Classification Search**
USPC D10/81, 96, 97, 101
CPC G01N 1/10; G01N 2001/1031; G01N 2001/1056; G01N 2001/1062; G01N 2001/1068; G01N 2001/1075; G01N 2001/1081; G01N 2001/1087; G01N 2001/1093; G01N 2001/2285; G01N 2001/2291; G01N 1/2294; G01N 33/188; G01N 33/18; G01N 33/1886; Y10T 436/25375; Y10T 436/255

See application file for complete search history.

(56) **References Cited**

U.S. PATENT DOCUMENTS

3,625,066 A 8/1971 Margartiz et al.
4,857,473 A 8/1989 Margaritz et al.
5,307,695 A 5/1994 Sawchuck
5,442,970 A 8/1995 Hutchins
D583,692 S 12/2008 Ball et al.
D703,564 S * 4/2014 Steffahn D10/101

OTHER PUBLICATIONS

<http://www.usabluebook.com/c-1227-sampling-stations.aspx>
Online catalog of water sampling stations.
<http://hydrants.com/sampling-stations> Online website showing water sampling stations.
<http://www.midwatergroup.com/sampling.html> Online website showing water sampling stations.
<http://www.american-mc.com/> Online website showing water sampling stations.

* cited by examiner

Primary Examiner — Antoine Duval Davis

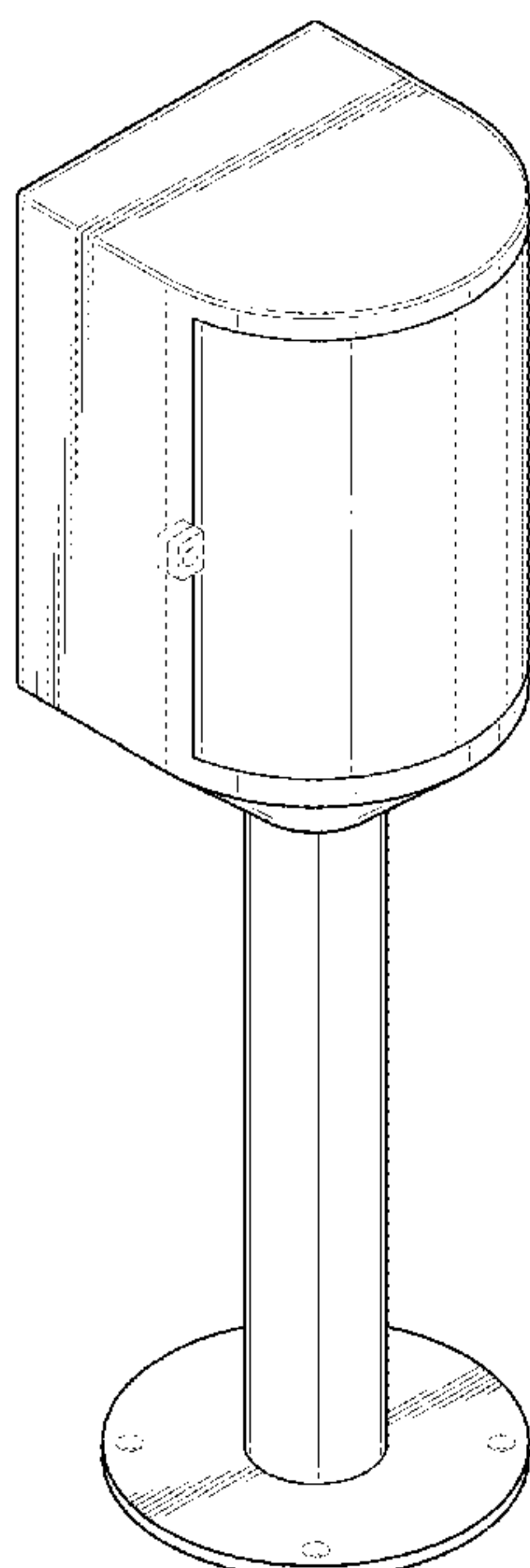
(57) **CLAIM**

The ornamental design for a water sampling and monitoring station, as shown and described.

DESCRIPTION

FIG. 1 is a perspective view of a water sampling and monitoring station showing the new design.
FIG. 2 is a front elevational view thereof.
FIG. 3 is a right side elevational view thereof.
FIG. 4 is left side elevational view thereof.
FIG. 5 is rear elevational view thereof.
FIG. 6 is a top plan view thereof.
FIG. 7 is a bottom plan view thereof.
FIG. 8 is a perspective view thereof, showing an open door; and,
FIG. 9 is a perspective view thereof.
The broken line showing is for the purpose of illustrating portions of the article and forms no part of the claimed design.

1 Claim, 6 Drawing Sheets



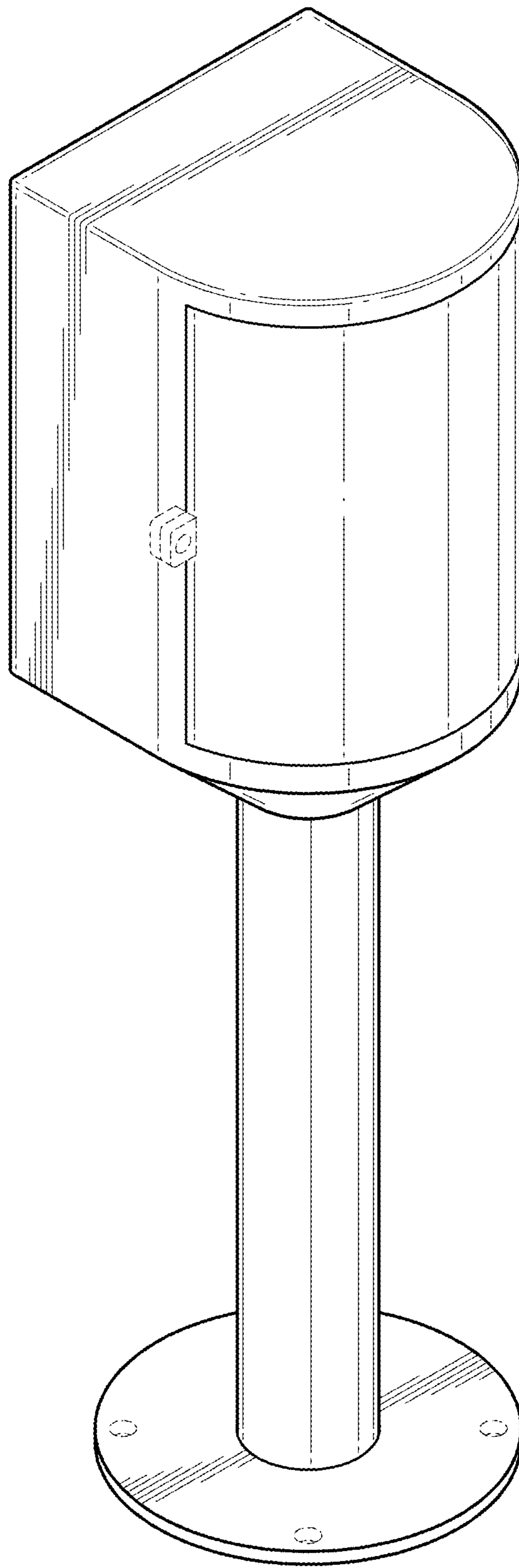


FIG. 1

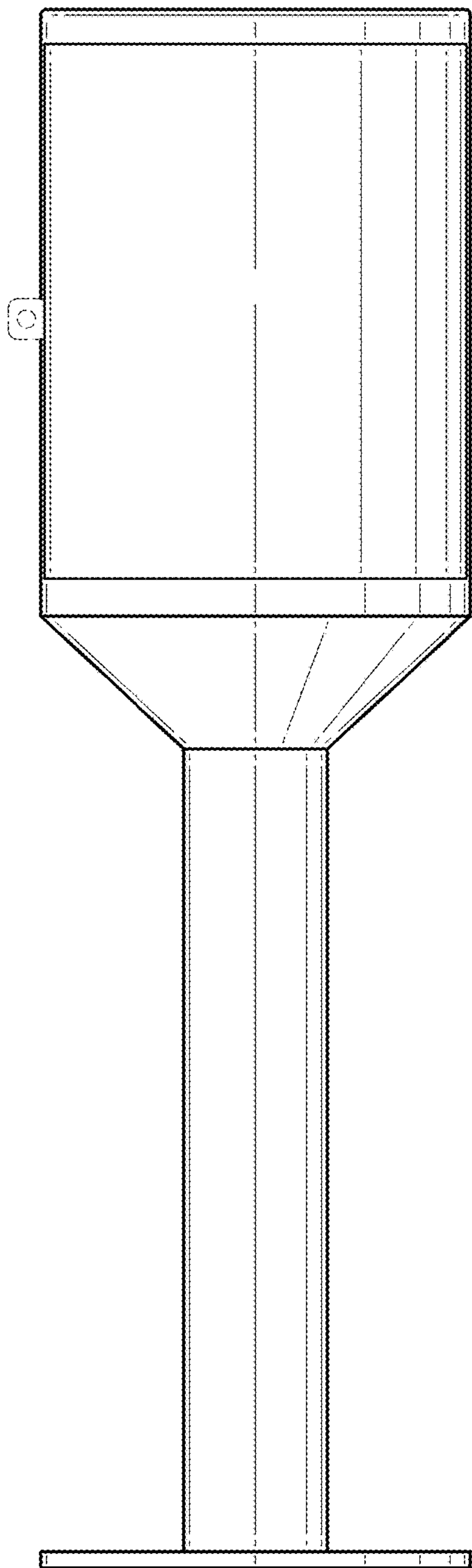


FIG. 2

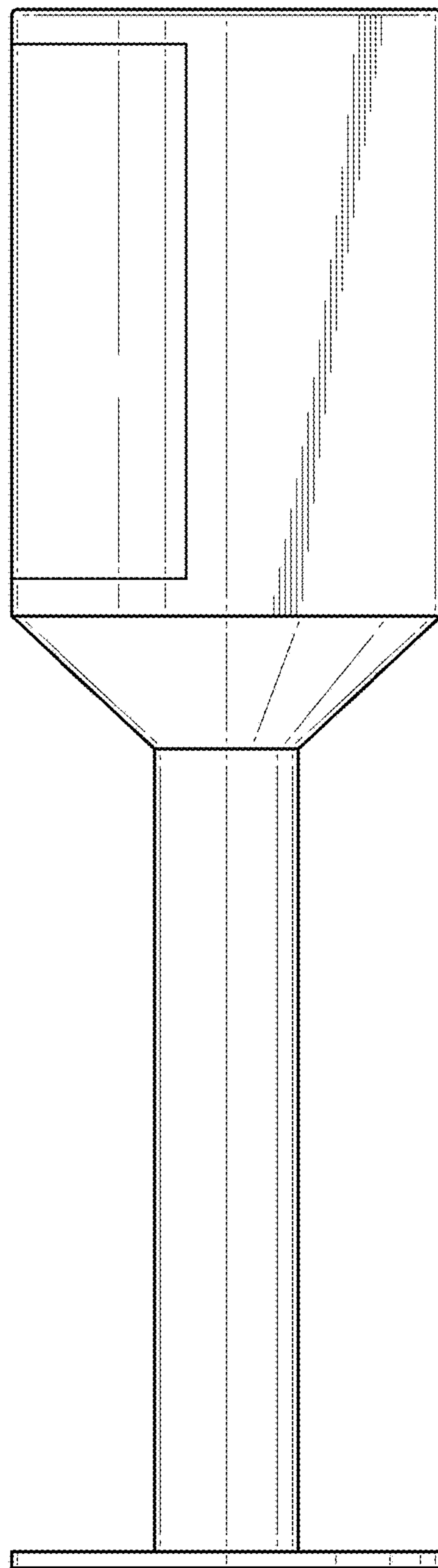


FIG. 3

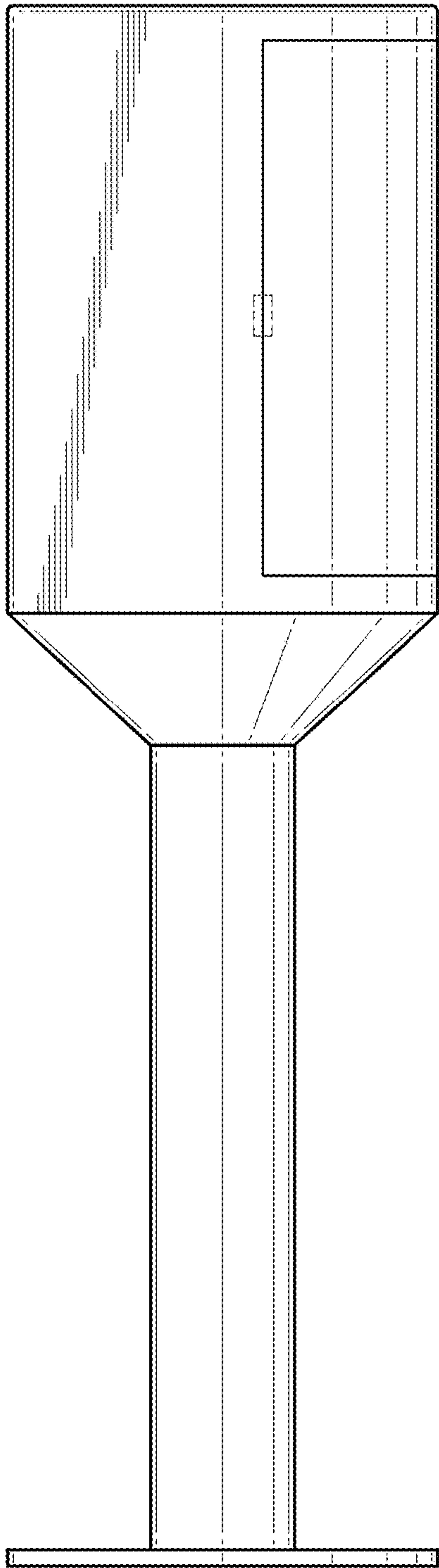


FIG. 4

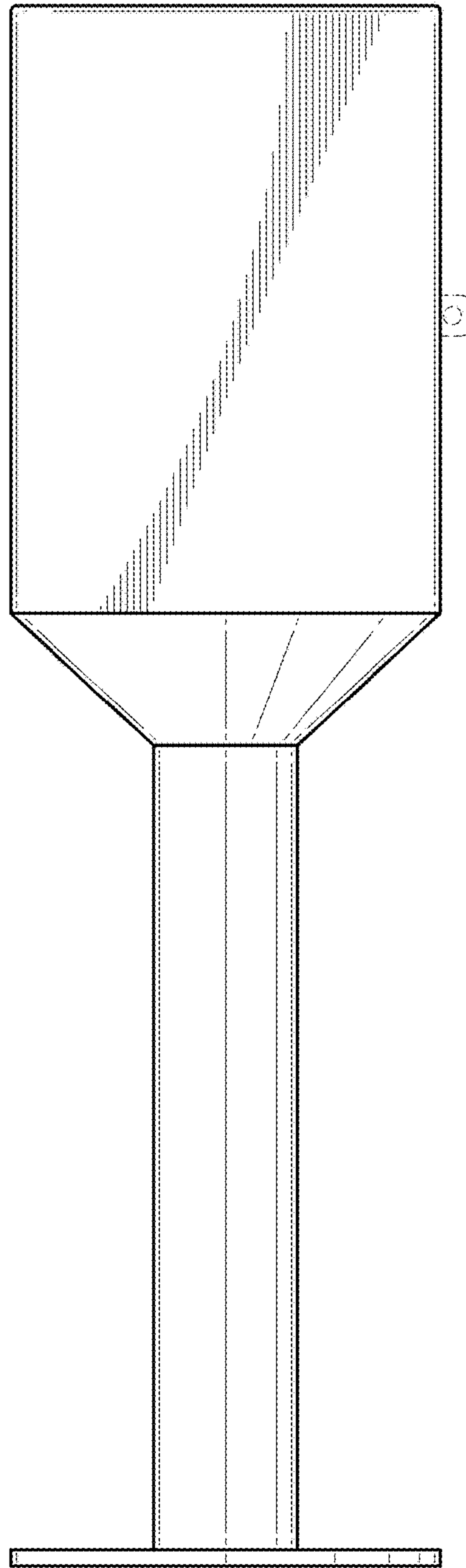


FIG. 5

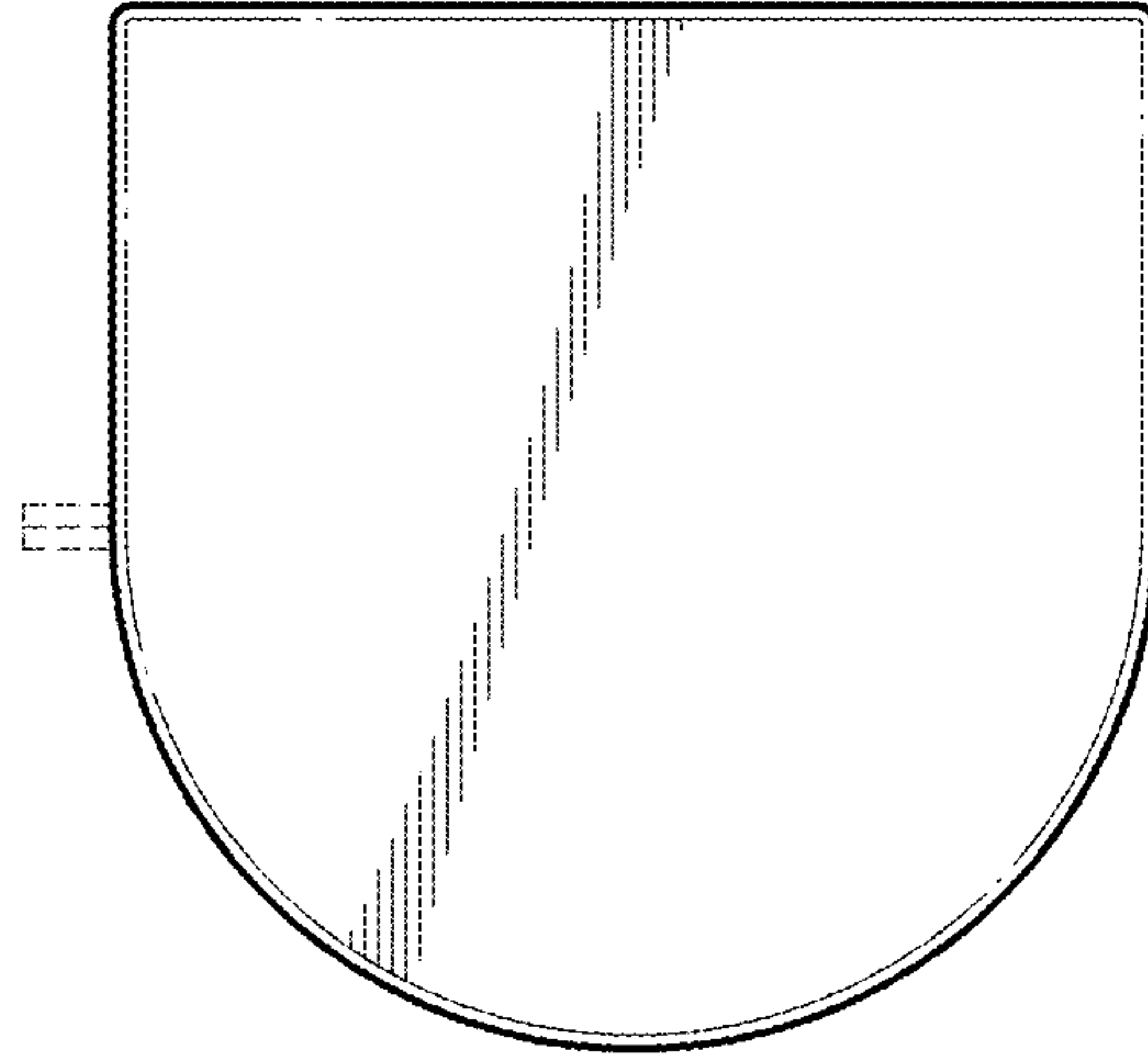


FIG. 6

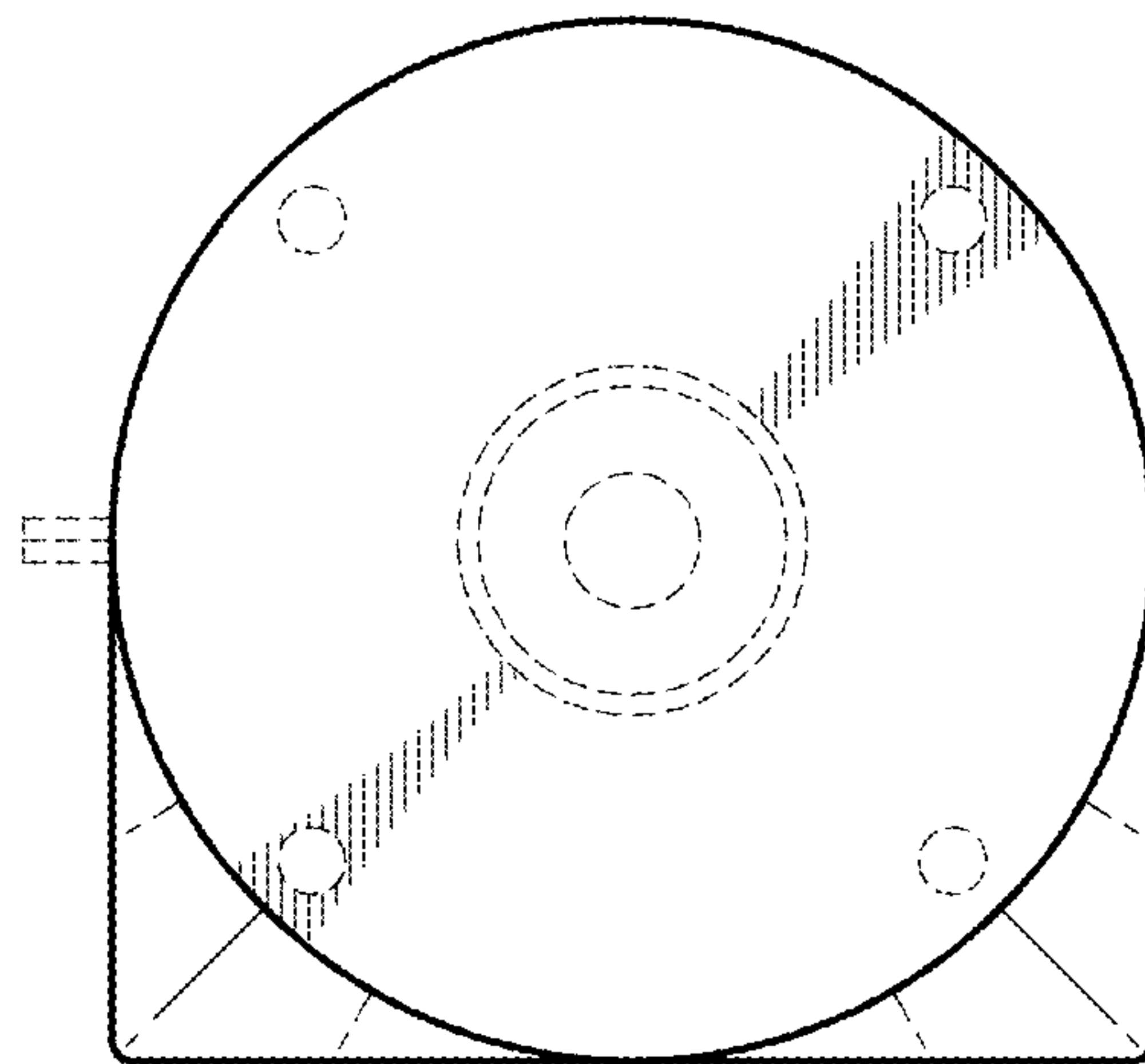


FIG. 7

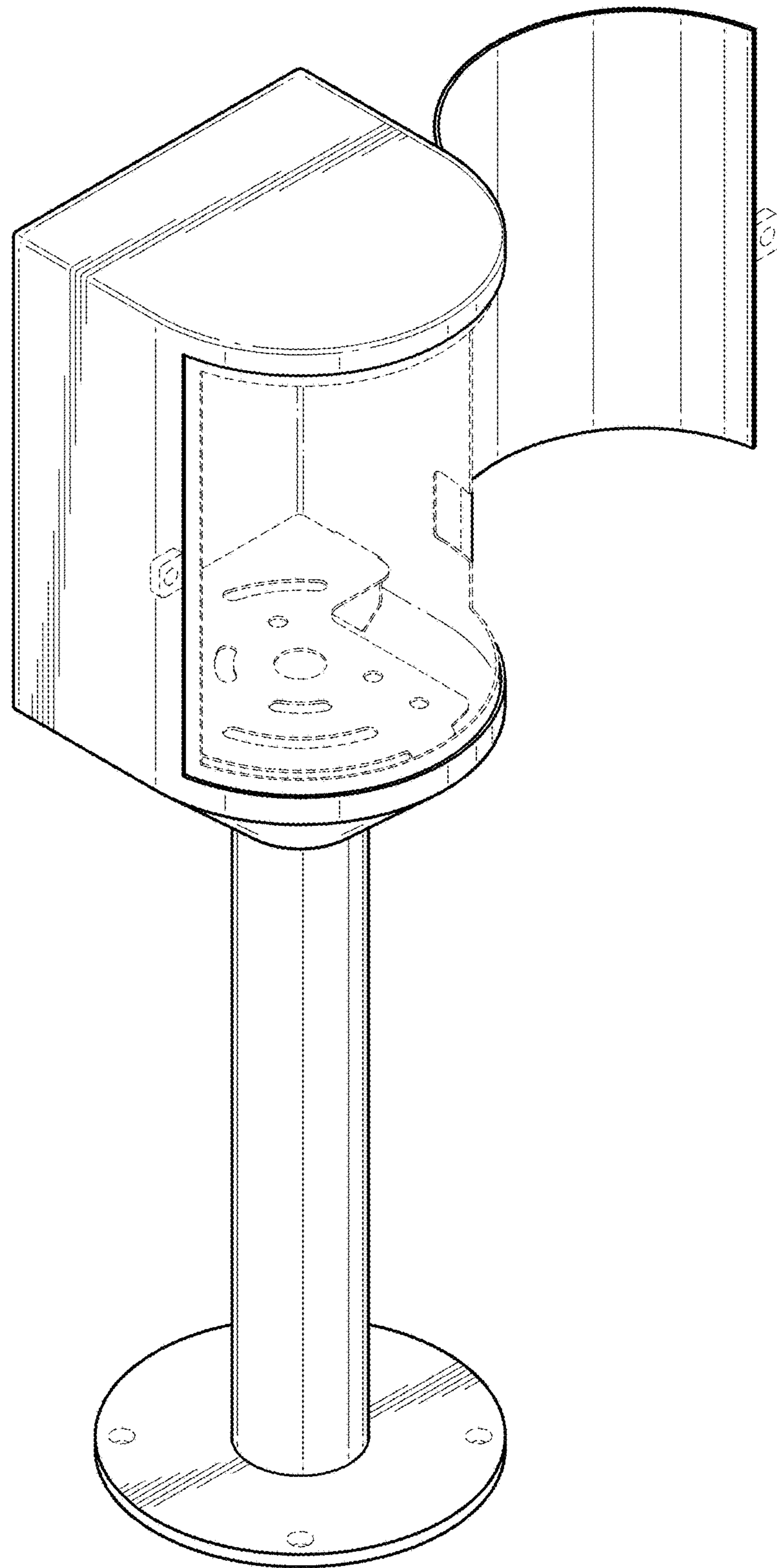


FIG. 8

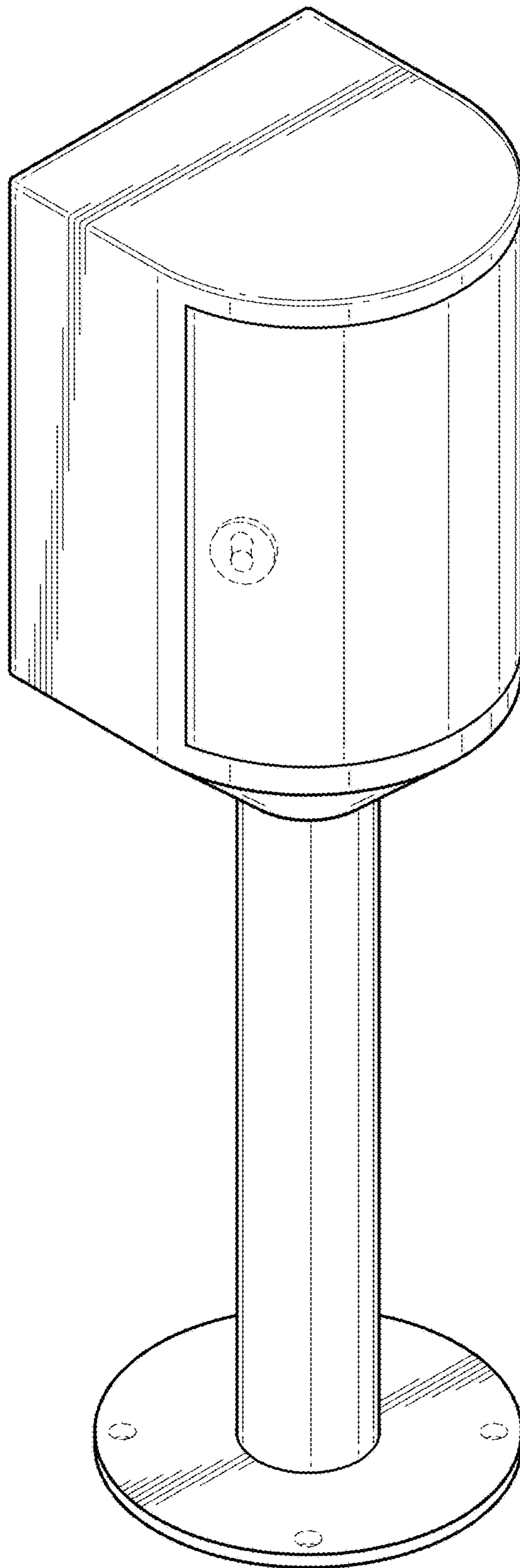


FIG. 9