



US00D804337S

(12) **United States Design Patent**
Drury, Sr.

(10) **Patent No.:** **US D804,337 S**

(45) **Date of Patent:** **** Dec. 5, 2017**

(54) **DOUBLE SIDED MEASURING TAPE**

(71) Applicant: **Dennis E. Drury, Sr.**, West Alexandria,
OH (US)

(72) Inventor: **Dennis E. Drury, Sr.**, West Alexandria,
OH (US)

(**) Term: **15 Years**

(21) Appl. No.: **29/592,526**

(22) Filed: **Jan. 31, 2017**

Related U.S. Application Data

(60) Division of application No. 15/411,616, filed on Jan. 20, 2017, and a continuation of application No. 29/565,688, filed on May 24, 2016, now abandoned.

(51) **LOC (10) Cl.** **10-04**

(52) **U.S. Cl.**
USPC **D10/71**

(58) **Field of Classification Search**
USPC D10/70, 71, 74
CPC G01B 3/02; G01B 3/04; B43L 13/145
See application file for complete search history.

(56) **References Cited**

U.S. PATENT DOCUMENTS

- 2,240,753 A 5/1942 Bouchard
- 4,247,986 A * 2/1981 Burroughs G01L 33/006
33/494
- 4,484,395 A * 11/1984 Samuels G01B 3/04
33/494
- 4,506,446 A 3/1985 Mitchell
- D318,435 S * 7/1991 Cutler D10/71

- D398,869 S * 9/1998 Taylor D10/71
- D399,769 S * 10/1998 Taylor D10/71
- D439,531 S * 3/2001 Davis D10/71
- 6,918,191 B2 7/2005 Stauffer
- D510,041 S * 9/2005 Mitchell D10/71
- D637,925 S * 5/2011 Groover D10/71
- D684,875 S * 6/2013 Cook D10/71
- D734,186 S * 7/2015 Ringlein D10/71

* cited by examiner

Primary Examiner — Antoine Duval Davis

(74) *Attorney, Agent, or Firm* — R. William Graham

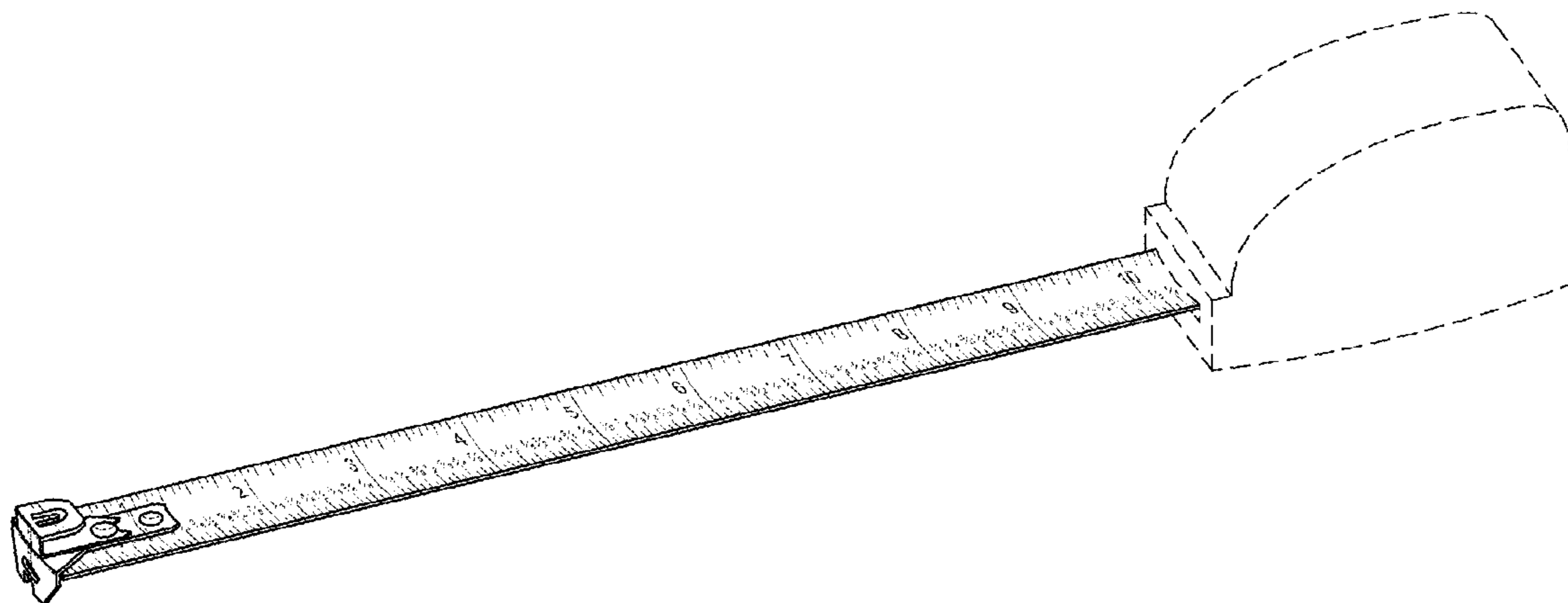
(57) **CLAIM**

The ornamental design for the double sided measuring tape, as shown and described herein.

DESCRIPTION

FIG. 1 is a perspective view of a double sided measuring tape showing my new design;
 FIG. 2 is a top view taken from double sided measuring tape of FIG. 1 showing my new design;
 FIG. 3 is a bottom perspective view of a double sided measuring tape of FIG. 1 showing my new design;
 FIG. 4 is a left side elevational view of a double sided measuring tape of FIG. 1 showing my new design;
 FIG. 5 is a right side elevational view of a double sided measuring tape of FIG. 1 showing my new design;
 FIG. 6 is a front side view of a double sided measuring tape of FIG. 1 showing my new design; and,
 FIG. 7 is a back side elevational view of a double sided measuring tape of FIG. 1 showing my new design.
 The broken line showing of structural features is included for the purpose of illustrating non-claimed subject matter and forms no part of the claimed design.

1 Claim, 7 Drawing Sheets



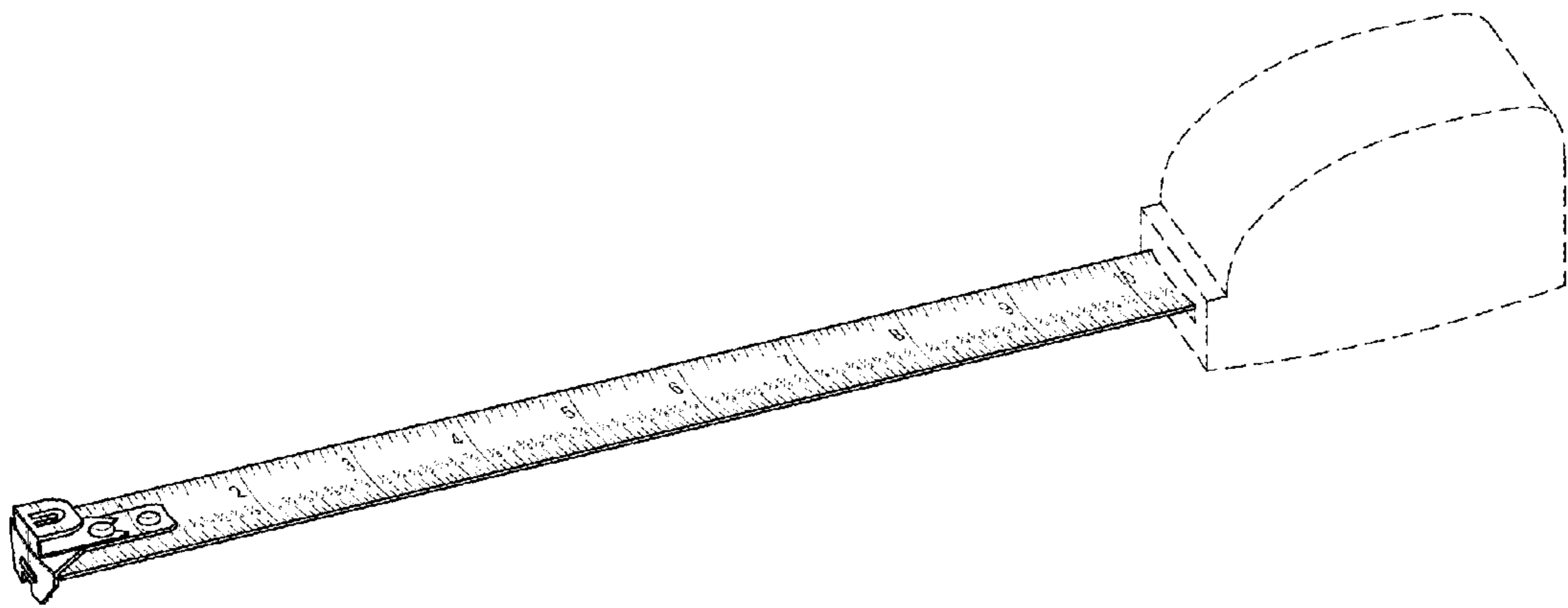


FIG. 1

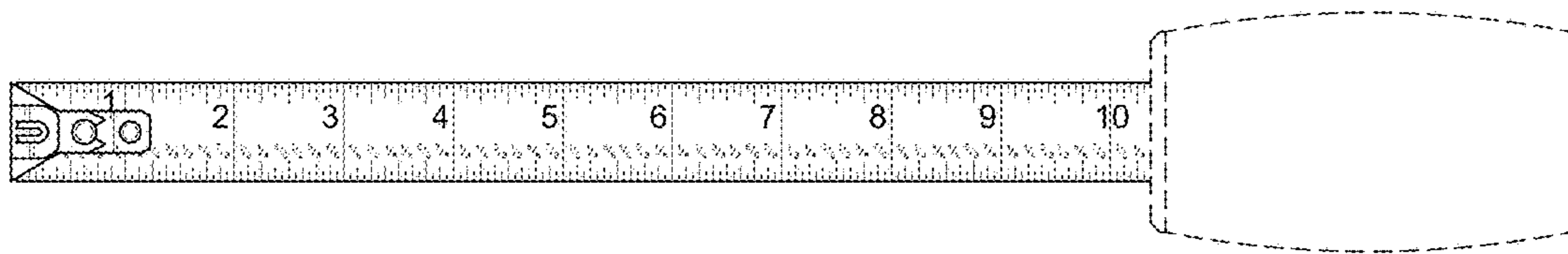


FIG. 2

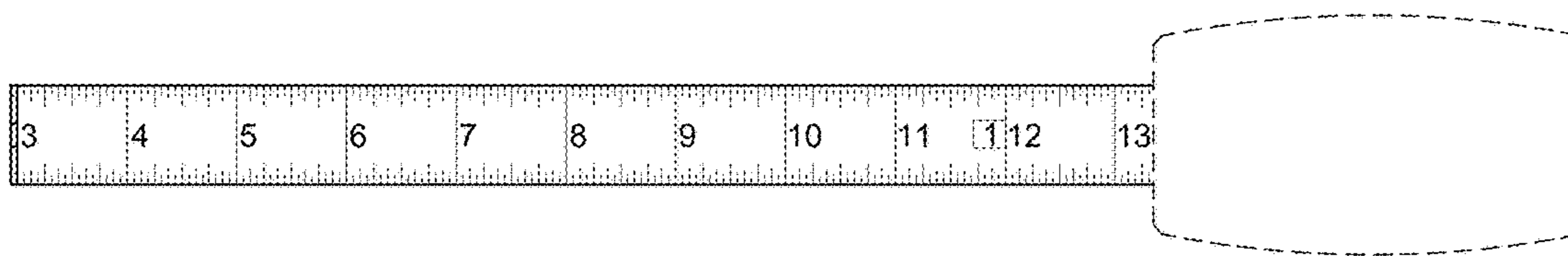


FIG. 3

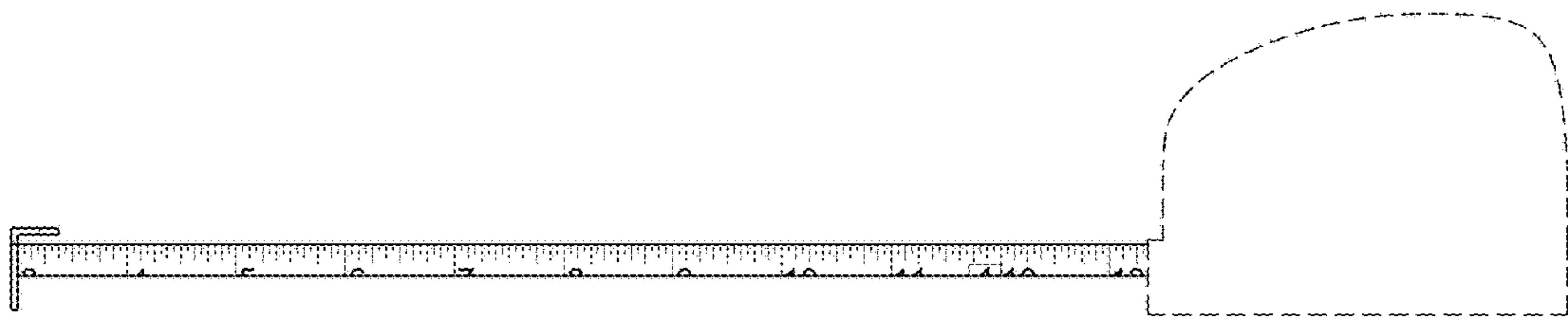


FIG. 4

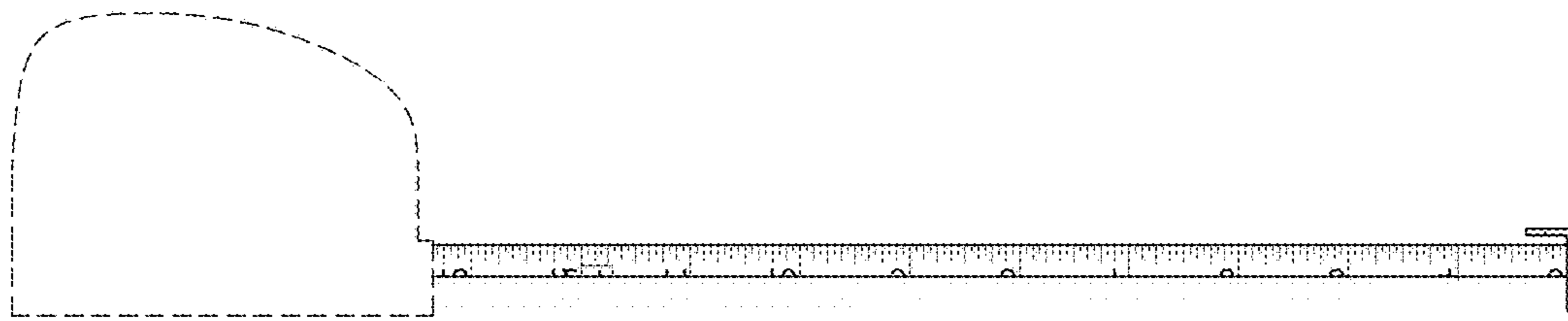


FIG. 5

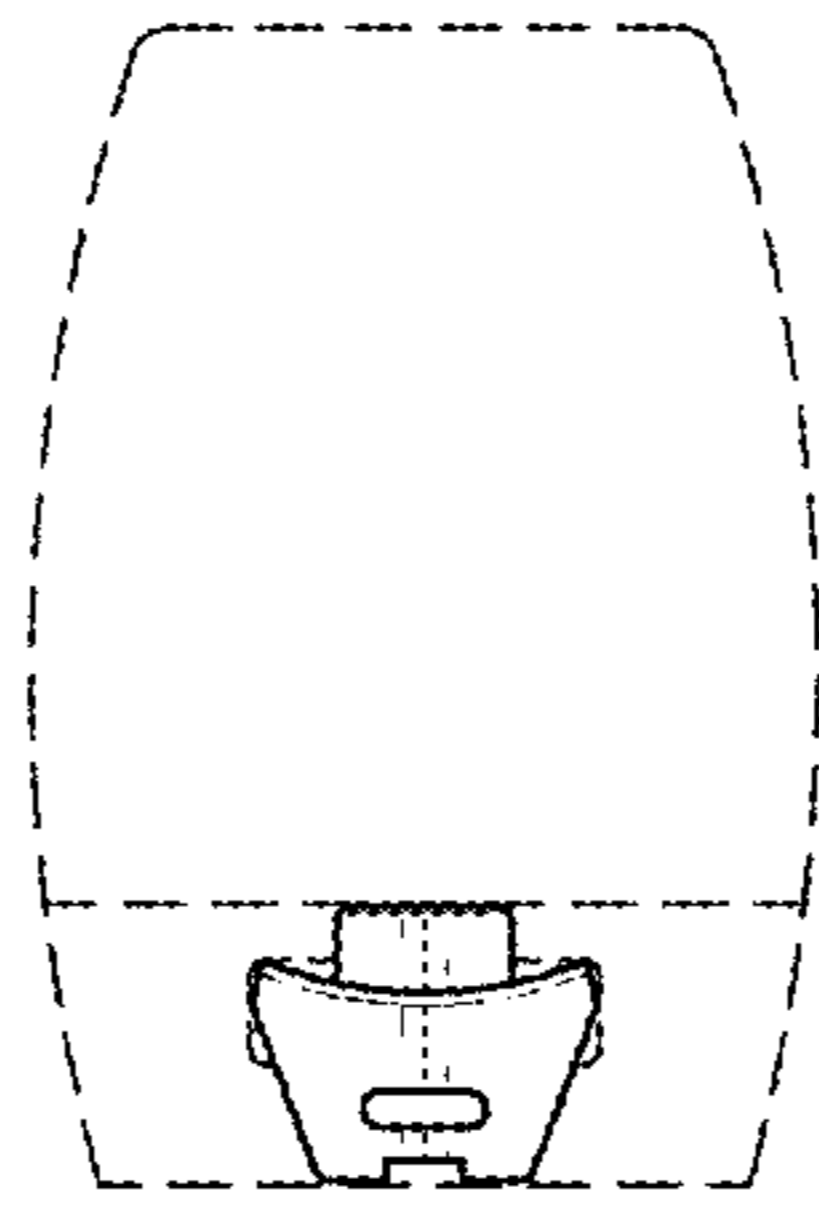


FIG. 6

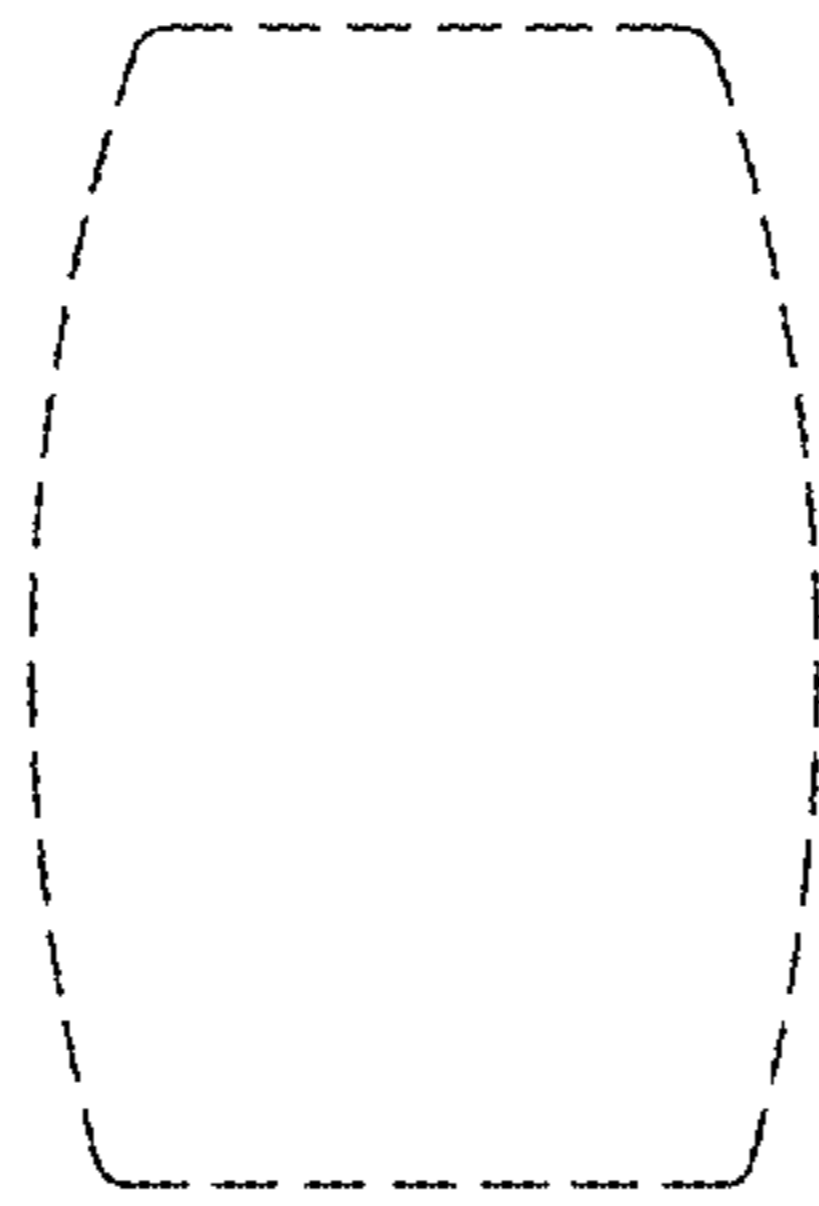


FIG. 7