



US00D804331S

(12) **United States Design Patent** (10) **Patent No.:** **US D804,331 S**
Kim et al. (45) **Date of Patent:** **** Dec. 5, 2017**

(54) MEASURING CUP	679,628 A *	7/1901	Lehmann	G01F 19/00 73/427
(71) Applicants: Sunny Kim , Astoria, NY (US); Marty Mutch , New York, NY (US)	925,582 A *	6/1909	Kipp	B65D 47/06 141/331
(72) Inventors: Sunny Kim , Astoria, NY (US); Marty Mutch , New York, NY (US)	2,519,392 A *	8/1950	Minton	A47J 43/14 73/427
(73) Assignee: HELEN OF TROY LIMITED , St. Michael (BB)	D236,314 S *	8/1975	Sugai	D10/46.2
(**) Term: 15 Years	D250,869 S *	1/1979	Boelter	D7/319
(21) Appl. No.: 29/569,129	D287,324 S *	12/1986	Schmidt	D10/46.2
(22) Filed: Jun. 23, 2016	D287,325 S *	12/1986	Schmidt	D10/46.2
(51) LOC (10) Cl. 10-04	D420,870 S *	2/2000	DeCoster	D10/46.2
(52) U.S. Cl.	D522,887 S *	6/2006	Hutzler	D10/46.2
(58) Field of Classification Search	D763,615 S *	8/2016	Liao	D7/317
USPC	2011/0048128 A1 *	3/2011	Groll	G01F 19/002 73/427

* cited by examiner

Primary Examiner — Susan Bennett Hattan
Assistant Examiner — Brett Miller

(57) **CLAIM**

The ornamental design for a measuring cup, as shown and described.

DESCRIPTION

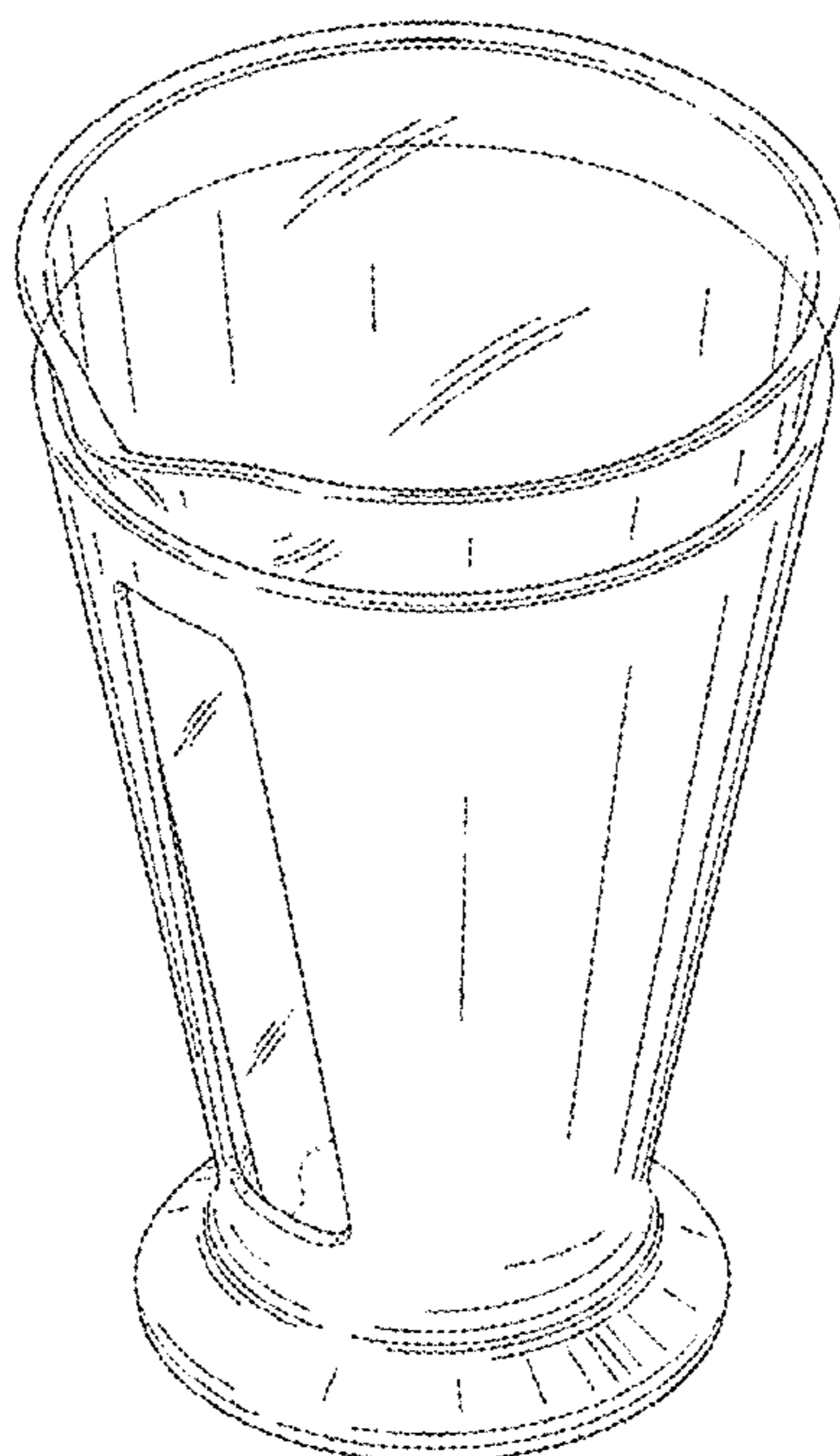
FIG. 1 is a perspective view of the measuring cup; FIG. 2 is a front view of the measuring cup; FIG. 3 is a rear view of the measuring cup; FIG. 4 is a left side view of the measuring cup; FIG. 5 is a right side view of the measuring cup; FIG. 6 is a top view of the measuring cup; and, FIG. 7 is a bottom view of the measuring cup. The broken lines depict portions of the measuring cup that form no part of the claimed design.

1 Claim, 7 Drawing Sheets

(56) **References Cited**

U.S. PATENT DOCUMENTS

272,713 A *	2/1883	Leake	G01F 19/00 222/158
598,891 A *	2/1898	Barnekov	G01F 19/00 215/377



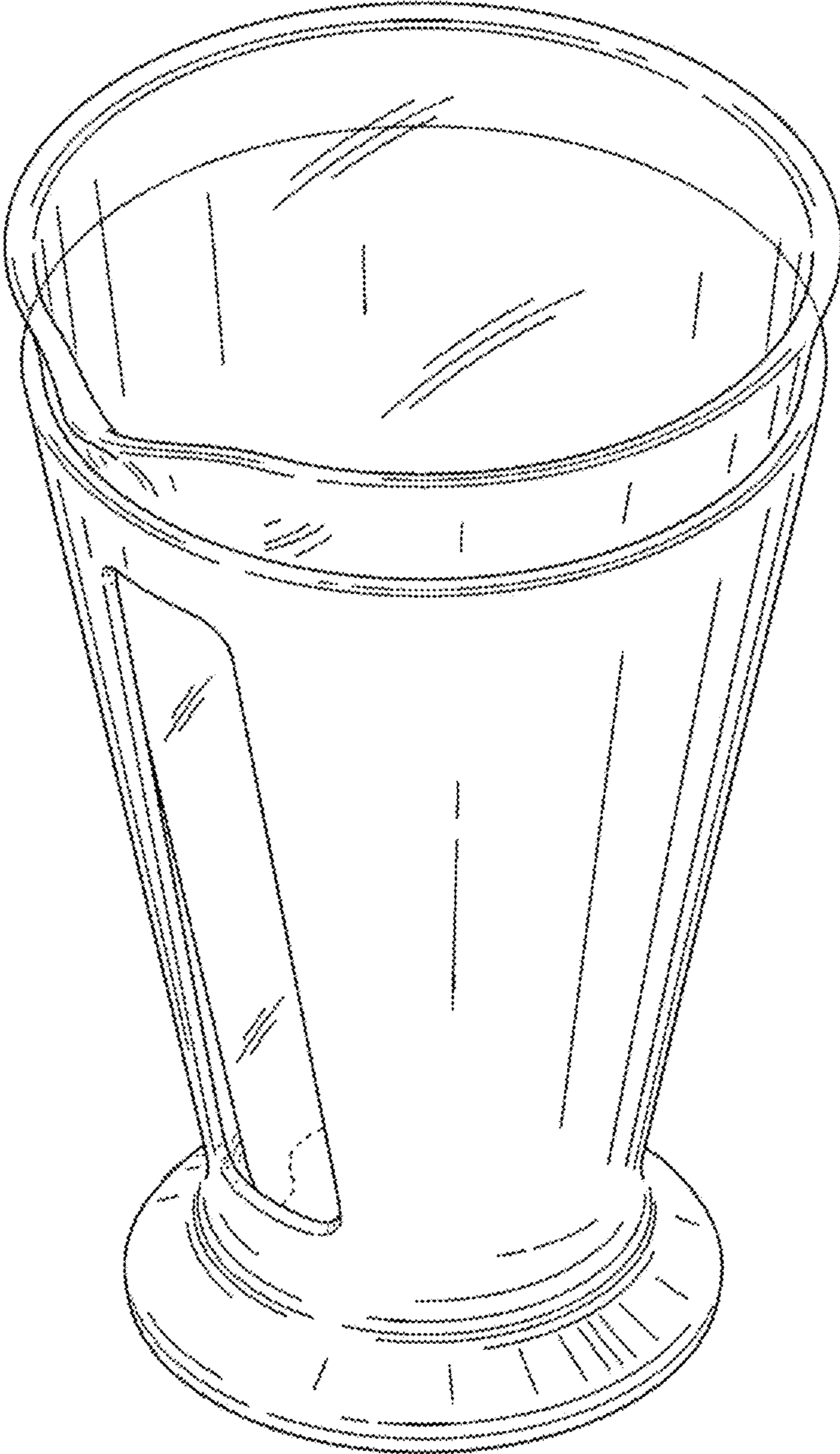


FIG. 1

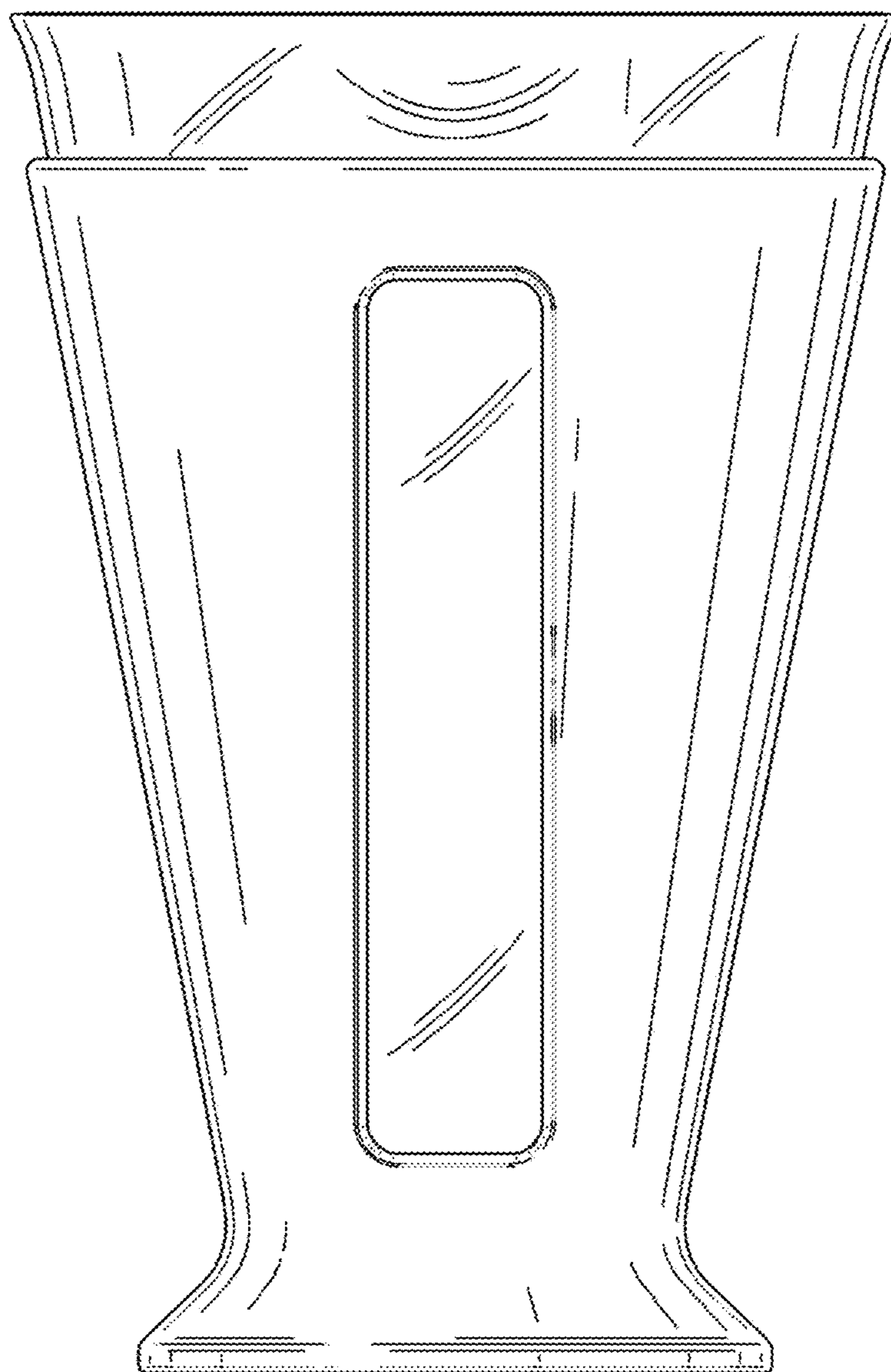


FIG. 2

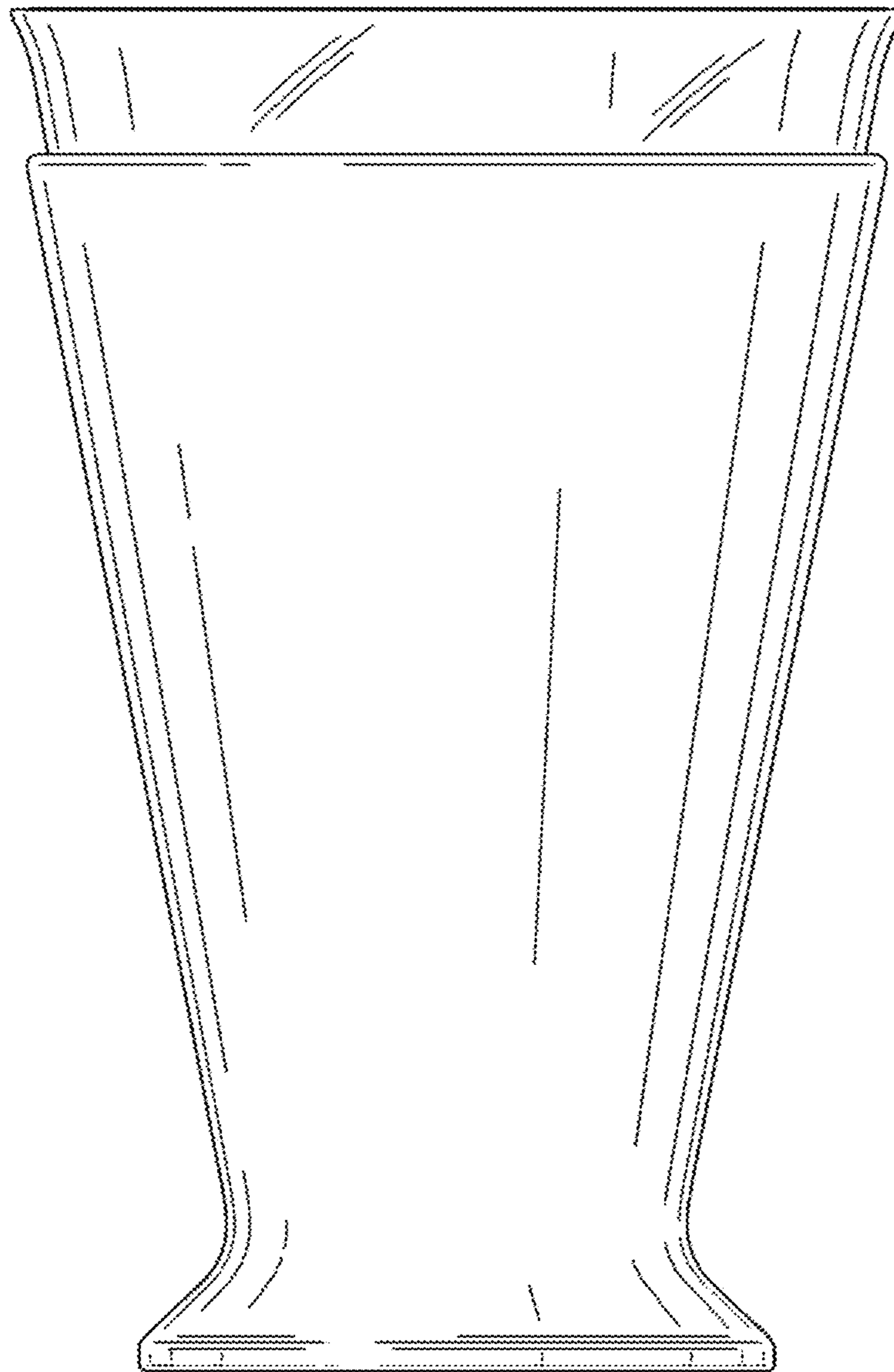


FIG. 3

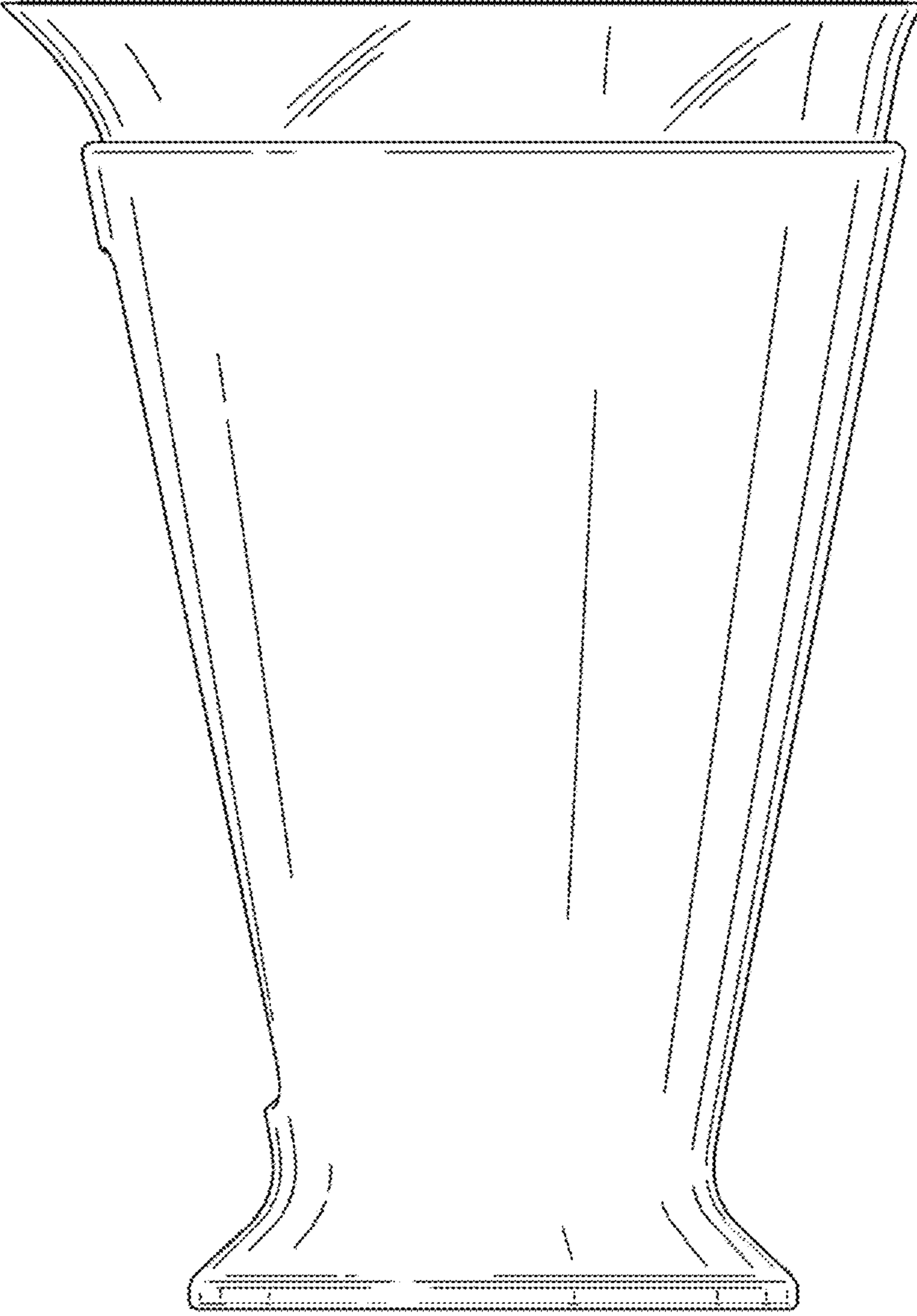


FIG. 4

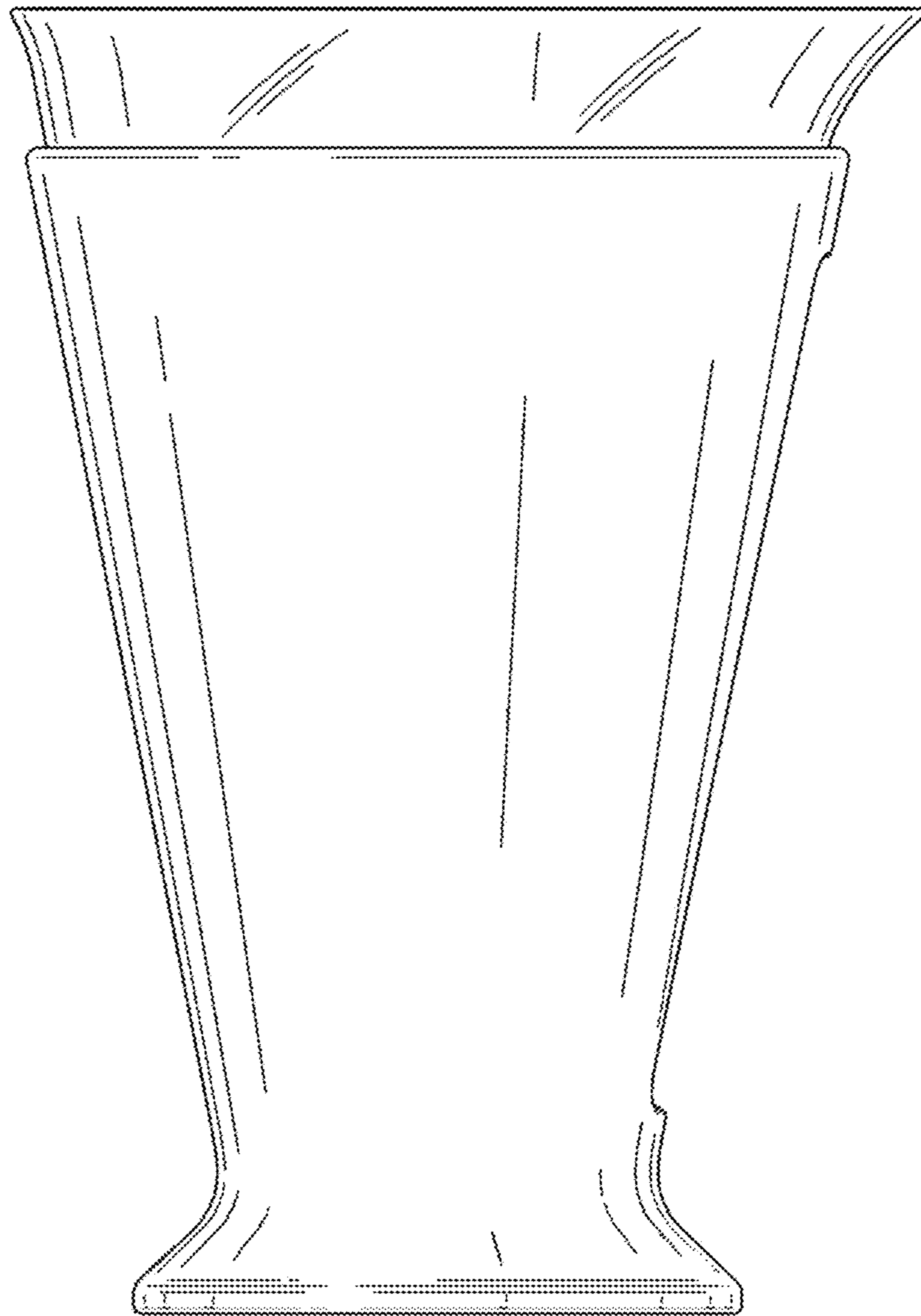


FIG. 5

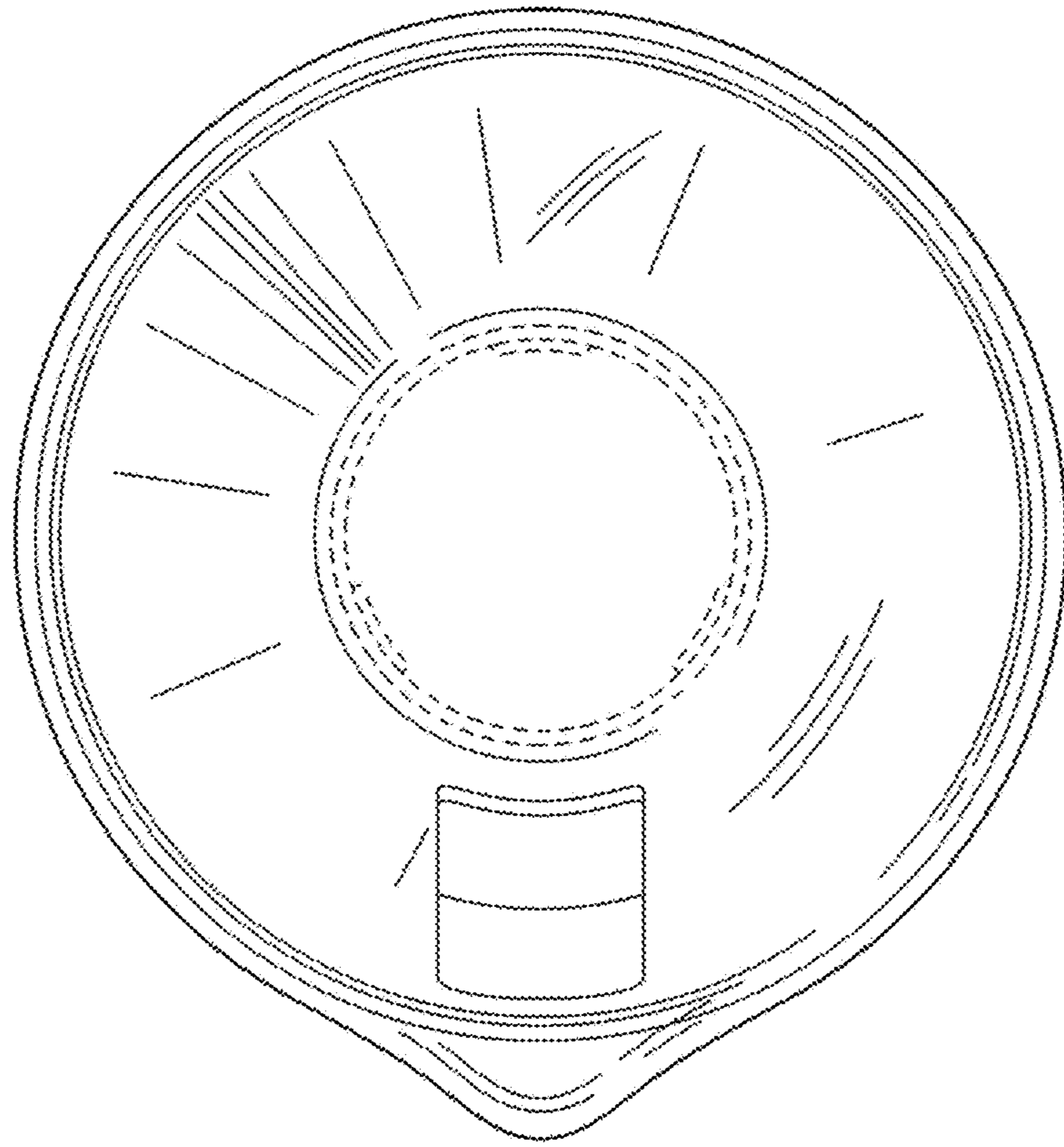


FIG. 6

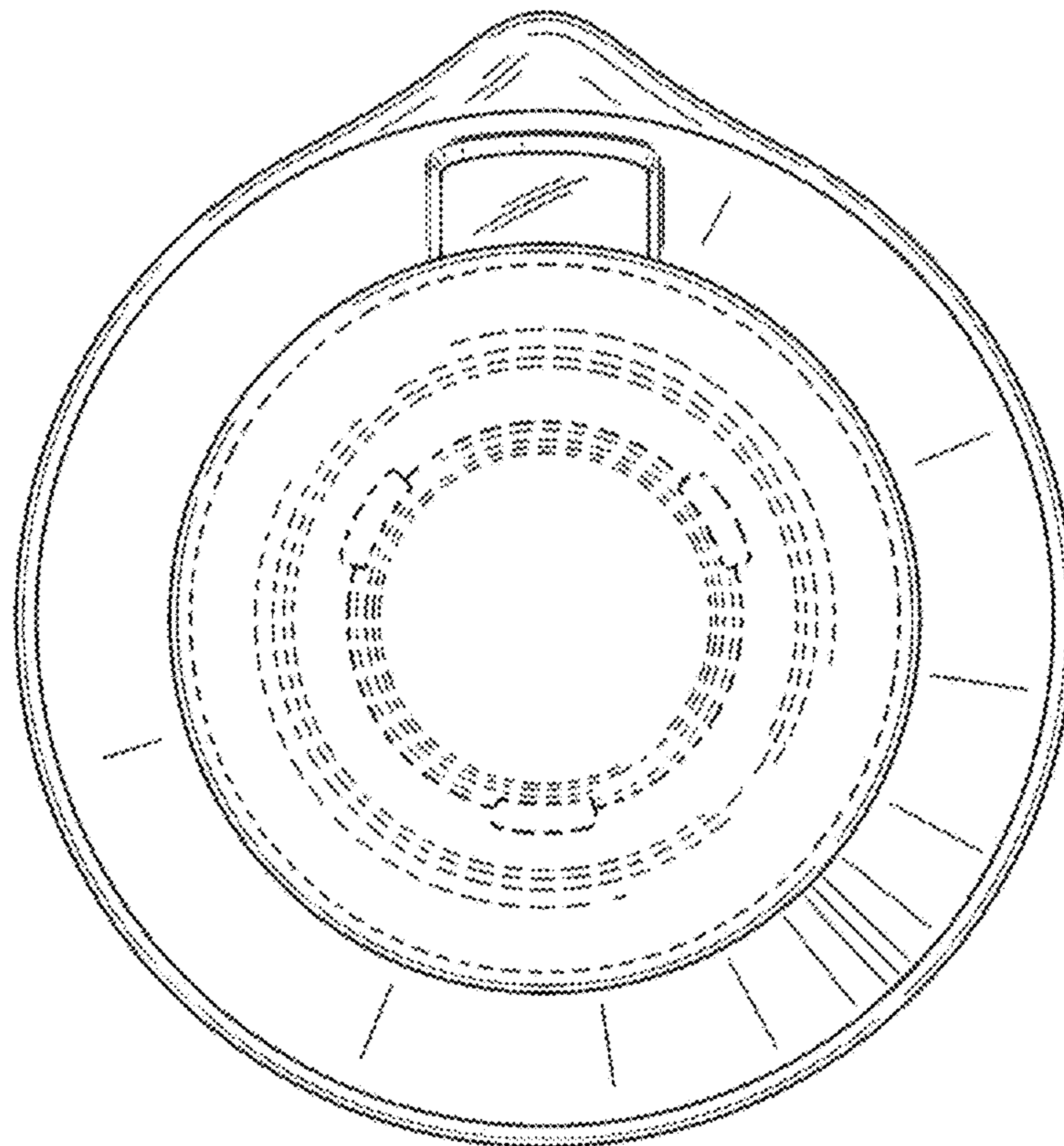


FIG. 7