



US00D804330S

(12) **United States Design Patent** (10) **Patent No.:** **US D804,330 S**
Salama (45) **Date of Patent:** **** Dec. 5, 2017**

(54) **PARKING METER HOUSING**
(71) Applicant: **Duncan Parking Technologies, Inc.**,
Milwaukee, WI (US)
(72) Inventor: **Asaf Salama**, Milwaukee, WI (US)
(73) Assignee: **Duncan Parking Technologies, Inc.**,
Milwaukee, WI (US)

2,596,123 A 5/1952 Broussard
2,596,124 A 5/1952 Broussard
2,613,792 A 10/1952 Broussard et al.
2,613,871 A 10/1952 Broussard et al.
2,618,371 A 11/1952 Broussard

(Continued)

FOREIGN PATENT DOCUMENTS

WO WO 2012/154902 11/2012
WO WO 2012/154913 11/2012

(**) Term: **15 Years**

(21) Appl. No.: **29/547,812**

(22) Filed: **Dec. 8, 2015**

OTHER PUBLICATIONS

U.S. Appl. No. 29/427,620, filed Jul. 20, 2012, Jones et al.

(Continued)

Related U.S. Application Data

(62) Division of application No. 29/499,560, filed on Aug. 15, 2014, now Pat. No. Des. 747,983, which is a division of application No. 29/479,310, filed on Jan. 14, 2014, now Pat. No. Des. 714,165.

(51) **LOC (10) Cl.** **10-03**

(52) **U.S. Cl.**
USPC **D10/42**

(58) **Field of Classification Search**
USPC D10/40-45; D20/6, 9
CPC G07F 17/24; G07F 17/248; G07C 1/30;
G07B 15/02; G06Q 20/18; G06Q 30/0284
See application file for complete search history.

(56) **References Cited**

U.S. PATENT DOCUMENTS

D100,875 S 8/1936 Michaels
D101,237 S 9/1936 Miller
D112,677 S 12/1938 Broussard et al.
2,483,805 A 10/1949 Broussard et al.
2,495,784 A 1/1950 Starts
2,550,433 A 4/1951 Tichenor
2,594,388 A 4/1952 Broussard
D166,753 S 5/1952 Jones
2,596,122 A 5/1952 Broussard

Primary Examiner — Sandra Snapp

(74) *Attorney, Agent, or Firm* — Hunton & Williams LLP

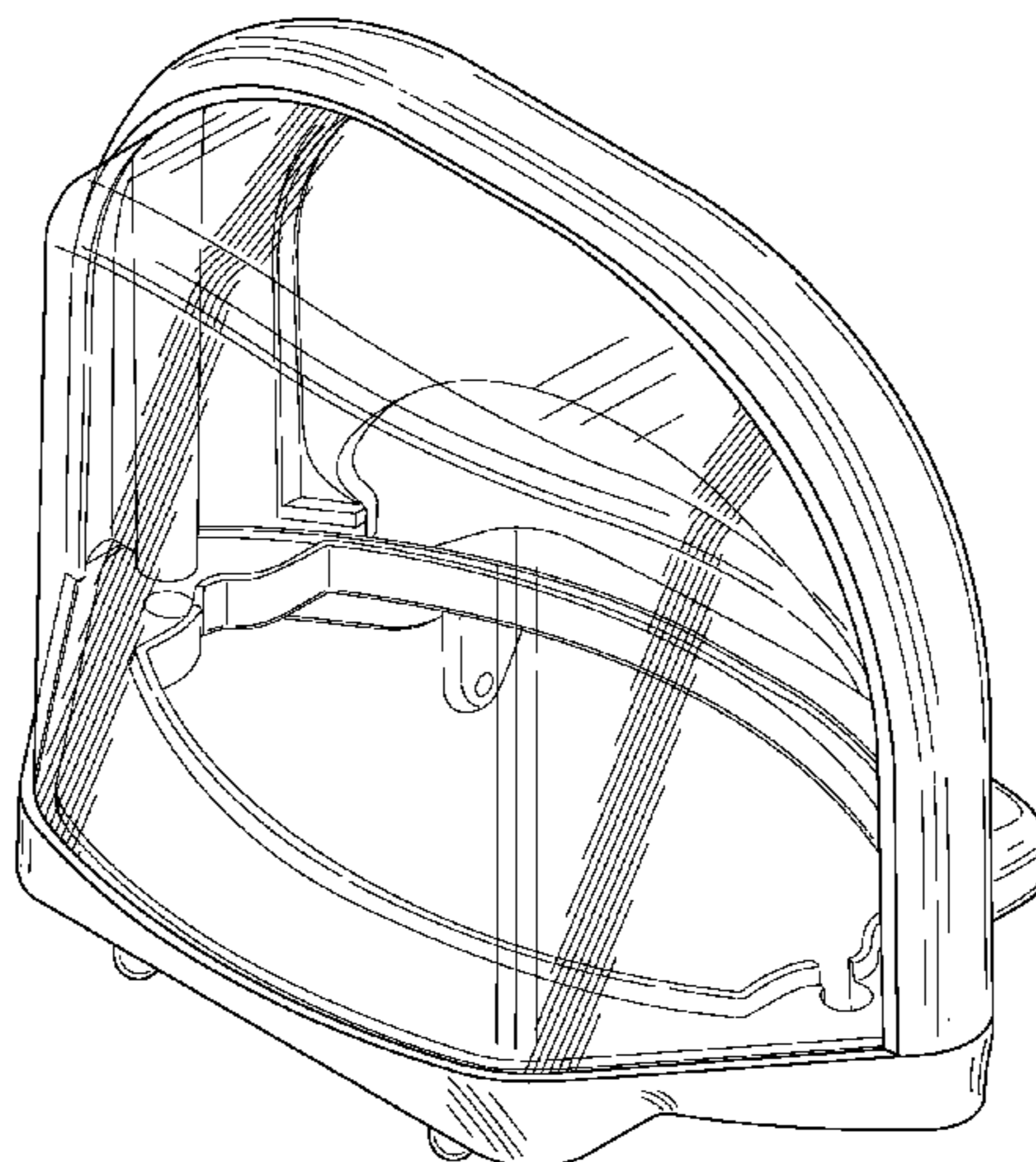
(57) **CLAIM**

I claim the ornamental design for a parking meter housing, as shown and described.

DESCRIPTION

FIG. 1 is a front perspective view from above of the claimed design;
FIG. 2 is a front view of FIG. 1;
FIG. 3 is a rear view of FIG. 1;
FIG. 4 is a right side view of FIG. 1;
FIG. 5 is a left side view of FIG. 1;
FIG. 6 is a top plan view of FIG. 1;
FIG. 7 is a bottom plan view of FIG. 1;
FIG. 8 is a second, front perspective view from above of FIG. 1;
FIG. 9 is a rear perspective view from above of FIG. 1; and,
FIG. 10 is a front perspective view from below of FIG. 1.
The additional structure depicted by broken lines in FIG. 8 has been shown for the purpose of illustrating environment that forms no part of the claimed design.

1 Claim, 10 Drawing Sheets



(56)

References Cited

U.S. PATENT DOCUMENTS

2,633,960 A 4/1953 Broussard
 D181,359 S 11/1957 Jones
 2,818,371 A 12/1957 Wessinger
 2,985,978 A 5/1961 Breen et al.
 D200,216 S 2/1965 Broussard
 3,199,321 A 8/1965 Sollenberger
 3,204,438 A 9/1965 Sollenberger
 3,262,540 A 7/1966 Sollenberger et al.
 3,272,299 A 9/1966 Sollenberger
 3,438,031 A 4/1969 Fathauer
 3,486,324 A 12/1969 Andersson
 3,519,113 A 7/1970 Arzig et al.
 3,565,283 A 2/1971 Sciacero et al.
 3,999,372 A 12/1976 Welch et al.
 4,248,336 A 2/1981 Fiedler
 4,453,325 A * 6/1984 Ofsowitz G07F 9/02
 40/333
 D296,795 S * 7/1988 Bouve D10/42
 4,872,149 A 10/1989 Speas
 4,880,406 A 11/1989 Van Horn et al.
 5,060,777 A 10/1991 Van Horn et al.
 5,088,073 A 2/1992 Speas
 5,109,972 A 5/1992 Van Horn et al.
 5,119,916 A 6/1992 Carmen et al.
 5,155,614 A 10/1992 Carmen et al.
 5,184,707 A 2/1993 Van Horn et al.
 5,244,070 A 9/1993 Carmen et al.
 5,273,151 A 12/1993 Carmen et al.
 5,382,780 A 1/1995 Carmen
 5,407,049 A 4/1995 Jacobs
 5,526,662 A 6/1996 Diekhoff et al.
 5,614,892 A 3/1997 Ward, II et al.
 5,617,942 A 4/1997 Ward et al.
 5,642,119 A 6/1997 Jacobs
 5,710,743 A 1/1998 Dee et al.
 5,732,812 A 3/1998 Grainger et al.
 5,805,083 A 9/1998 Sutton et al.
 5,806,651 A 9/1998 Carmen et al.
 5,841,369 A 11/1998 Sutton et al.
 5,852,411 A 12/1998 Jacobs et al.
 5,903,520 A 5/1999 Dee et al.
 5,966,345 A 10/1999 Dee et al.
 6,098,361 A 8/2000 Roten
 6,109,418 A 8/2000 Yost
 6,111,522 A 8/2000 Hiltz et al.
 6,116,403 A 9/2000 Kiehl
 D431,788 S 10/2000 Tuxen et al.
 RE37,193 E 5/2001 Ward et al.
 6,229,455 B1 5/2001 Yost et al.
 6,230,868 B1 5/2001 Tuxen et al.
 6,275,170 B1 8/2001 Jacobs et al.
 6,309,098 B1 10/2001 Wong
 6,312,152 B2 11/2001 Dee et al.
 6,354,425 B1 3/2002 Tuxen et al.

D461,728 S 8/2002 Tuxen et al.
 6,575,281 B2 6/2003 Lee
 6,747,575 B2 6/2004 Chauvin et al.
 6,874,340 B1 4/2005 Berman
 6,889,899 B2 5/2005 Silberberg
 7,237,176 B2 6/2007 Briggs et al.
 D575,168 S 8/2008 King et al.
 D587,141 S 2/2009 King et al.
 7,617,120 B2 11/2009 Derasmo et al.
 7,806,248 B2 10/2010 Hunter et al.
 7,825,826 B2 11/2010 Welch
 7,854,310 B2 12/2010 King et al.
 7,874,482 B2 1/2011 Mitschele
 D654,816 S 2/2012 MacKay et al.
 D659,557 S 5/2012 Jones et al.
 8,184,019 B2 * 5/2012 Chauvin G06Q 20/32
 235/380
 8,193,540 B2 6/2012 Huang et al.
 8,395,532 B2 3/2013 Chauvin et al.
 D684,870 S 6/2013 Jones et al.
 8,479,909 B2 7/2013 King et al.
 8,513,832 B2 8/2013 Hunter et al.
 8,566,159 B2 10/2013 King et al.
 8,590,687 B2 11/2013 King et al.
 8,595,054 B2 11/2013 King et al.
 8,631,921 B2 1/2014 Jones et al.
 8,662,279 B2 3/2014 Jones et al.
 8,684,158 B2 4/2014 Jones et al.
 8,749,403 B2 6/2014 King et al.
 D714,165 S 9/2014 Salama
 D747,983 S * 1/2016 Salama D10/42
 9,494,922 B2 * 11/2016 MacKay G04C 11/026
 2001/0012241 A1 8/2001 Dee et al.
 2004/0264302 A1 12/2004 Ward
 2008/0071611 A1 3/2008 Lovett
 2008/0277468 A1 11/2008 Mitschele
 2009/0183966 A1 7/2009 King et al.
 2009/0192950 A1 7/2009 King et al.
 2011/0057815 A1 3/2011 King et al.
 2011/0060653 A1 3/2011 King et al.
 2012/0285790 A1 11/2012 Jones et al.
 2012/0286036 A1 11/2012 Jones et al.
 2012/0286968 A1 11/2012 Jones et al.

OTHER PUBLICATIONS

U.S. Appl. No. 29/455,221, filed May 17, 2013, Jones et al.
 U.S. Appl. No. 29/479,310, filed Jan. 14, 2014, Salama.
 Duncan Solutions, Eagle CK Single-Space Meter Mechanism Brochure, believed to be commercially available before May 10, 2010, 2 pages.
 Duncan Solutions, Eagle 2100 Single-Space Meter Mechanism Brochure, believed to be commercially available before May 10, 2010, 2 pages.

* cited by examiner

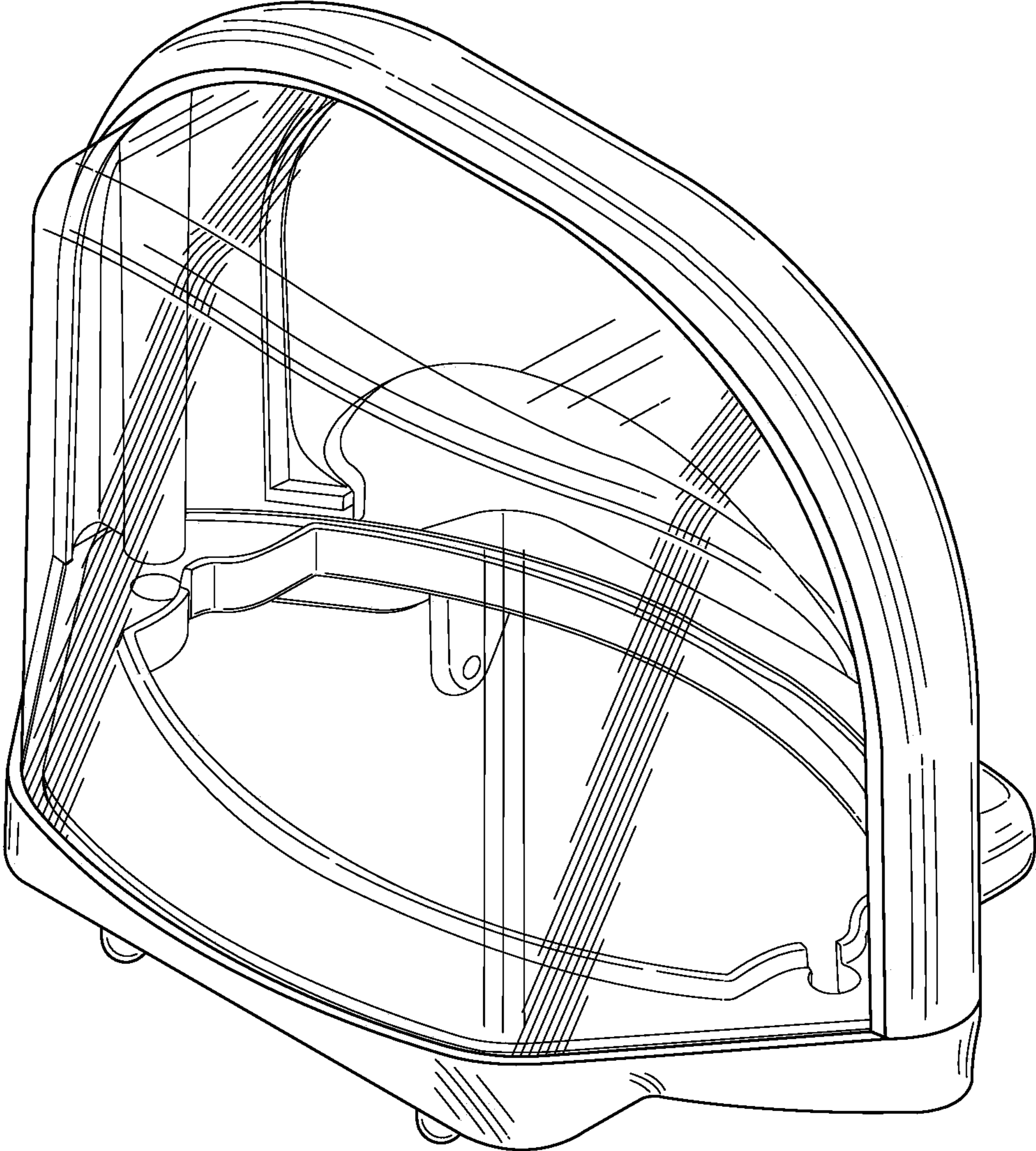


FIG. 1

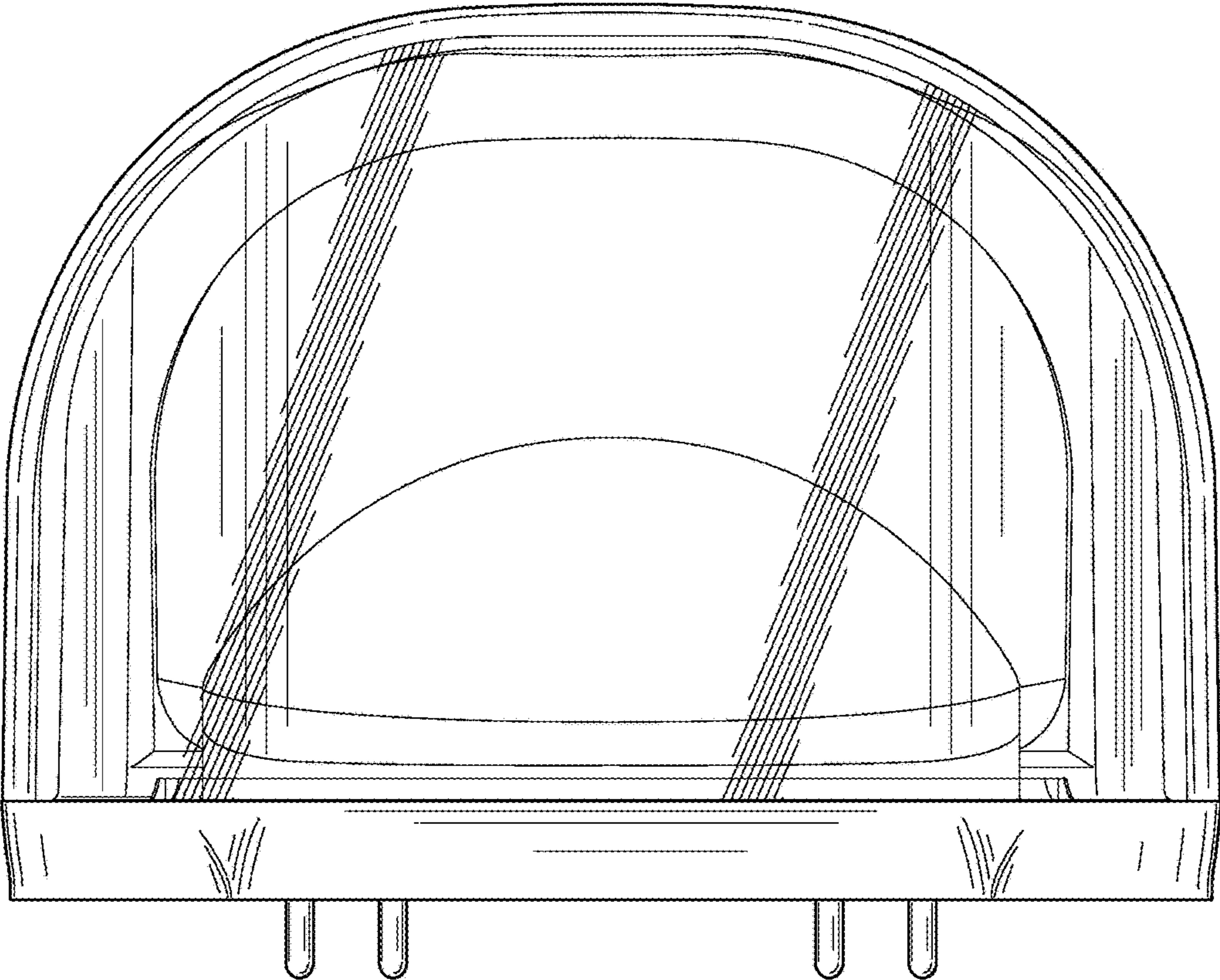


FIG. 2

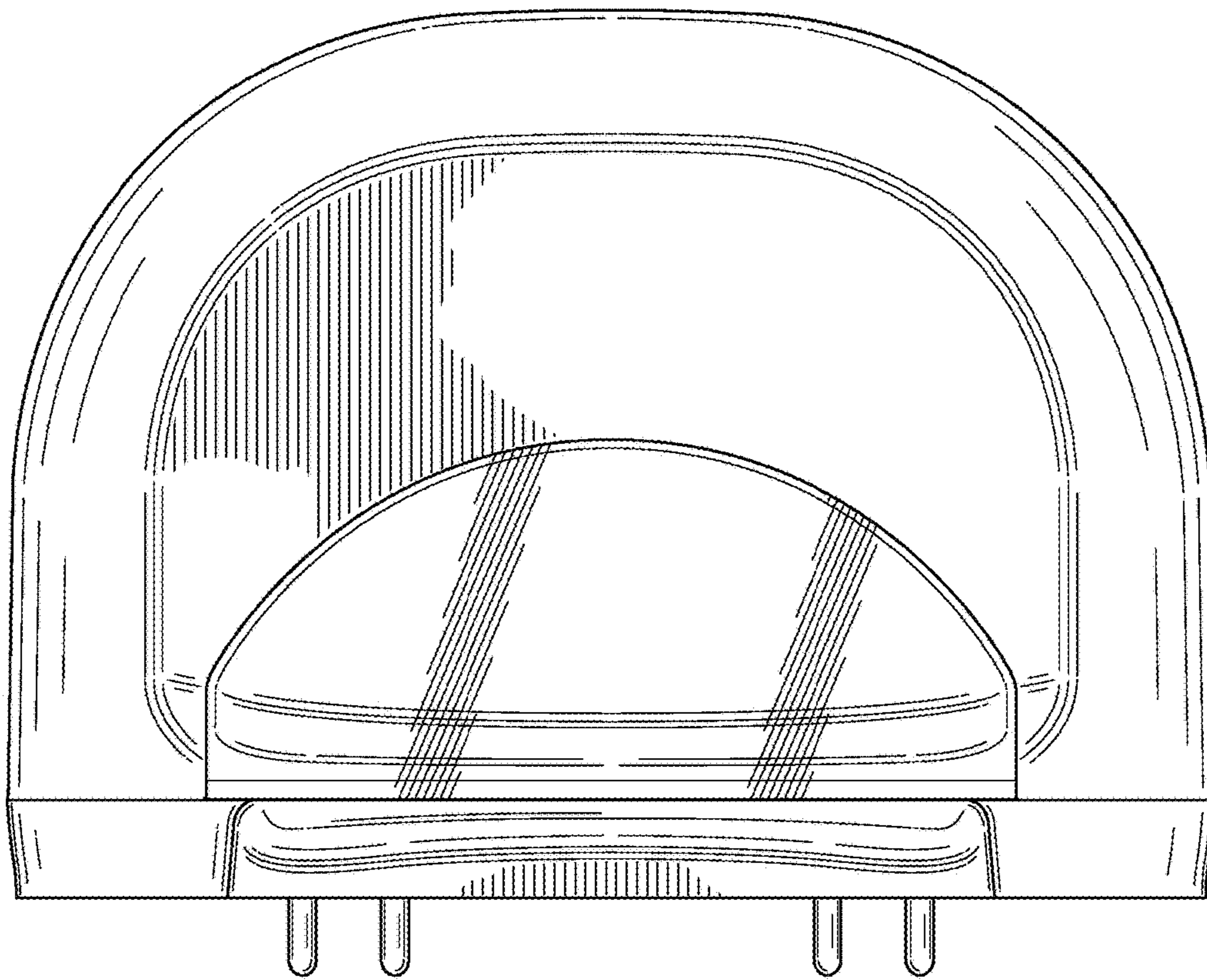


FIG. 3

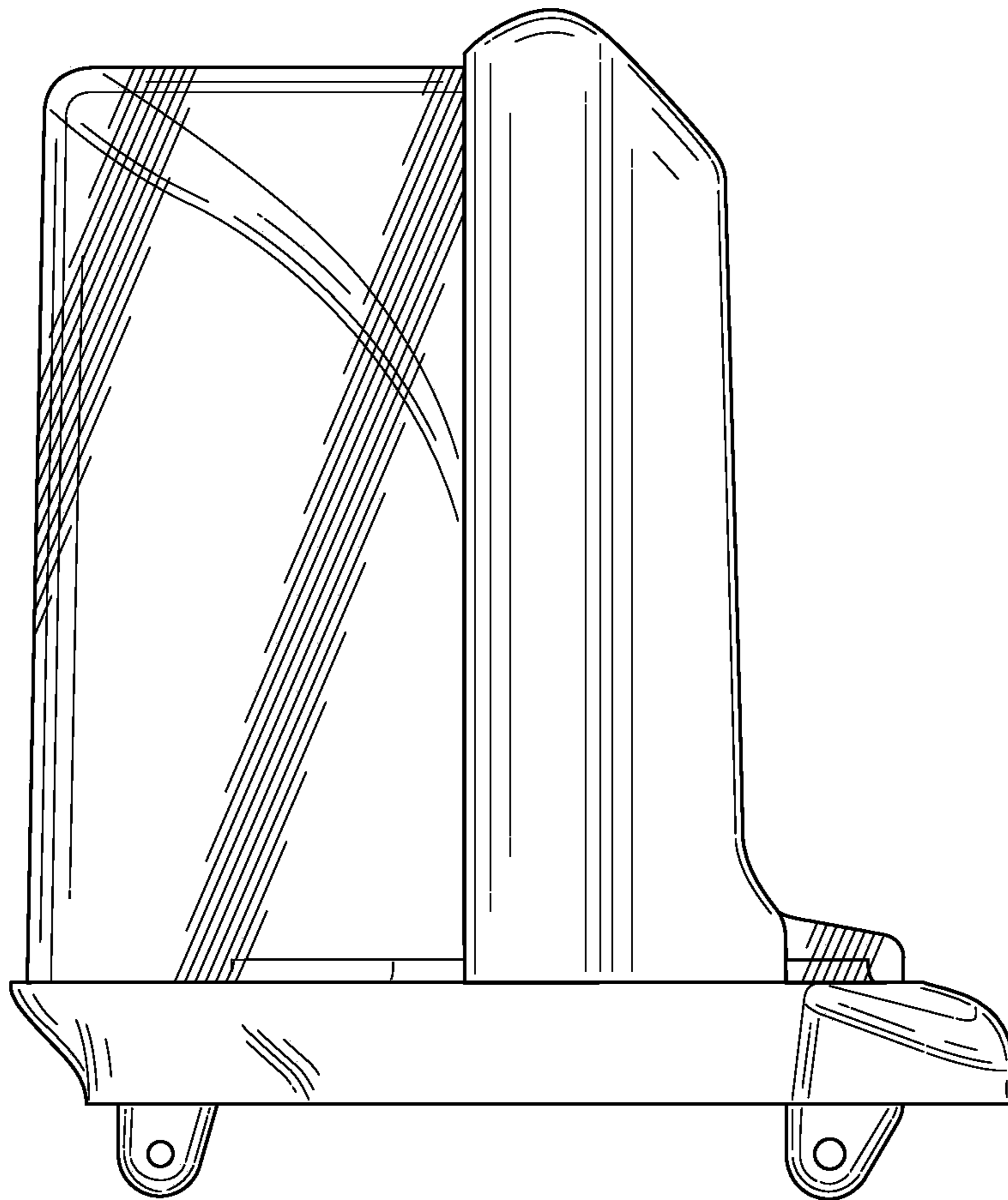


FIG. 4

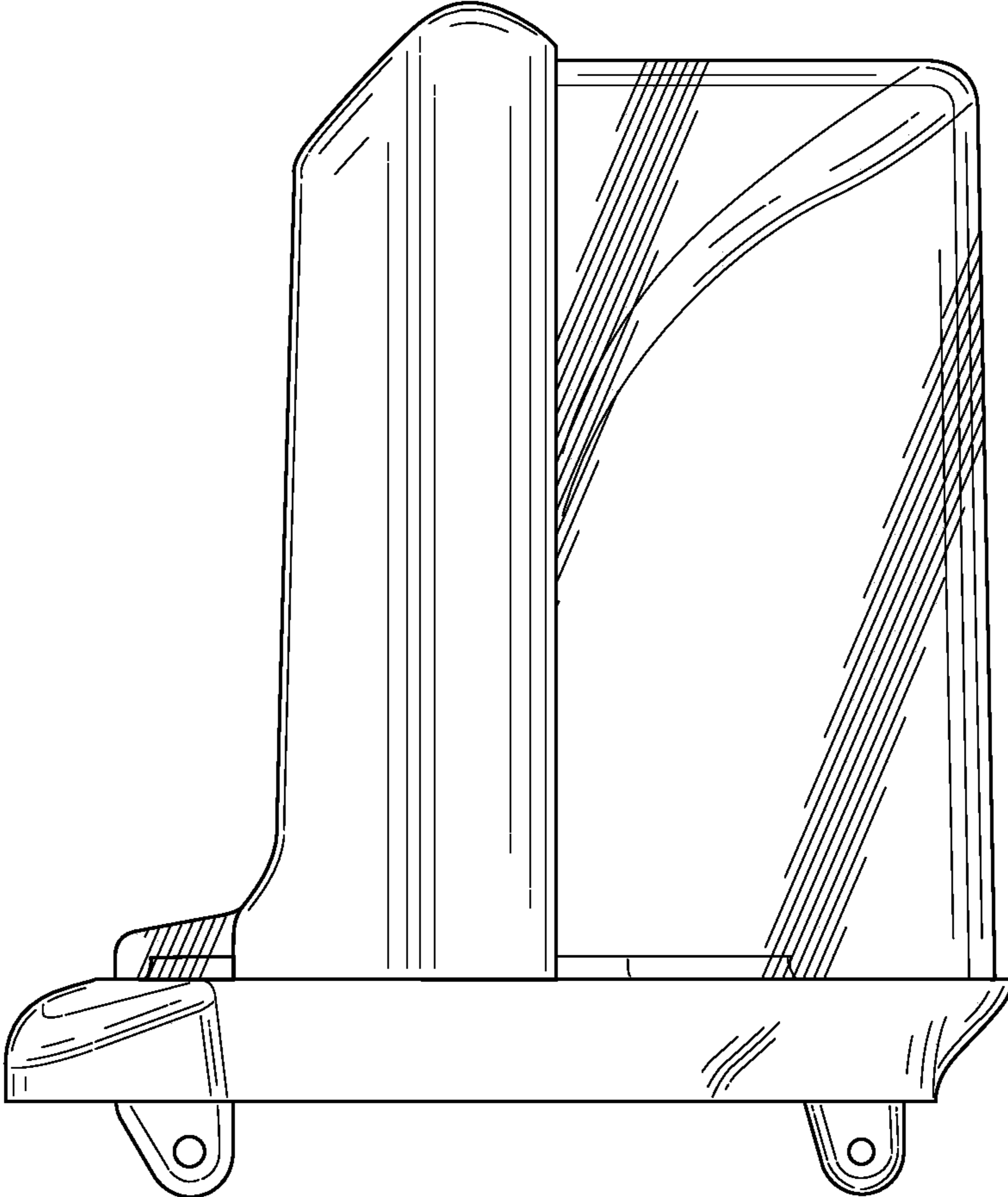


FIG. 5

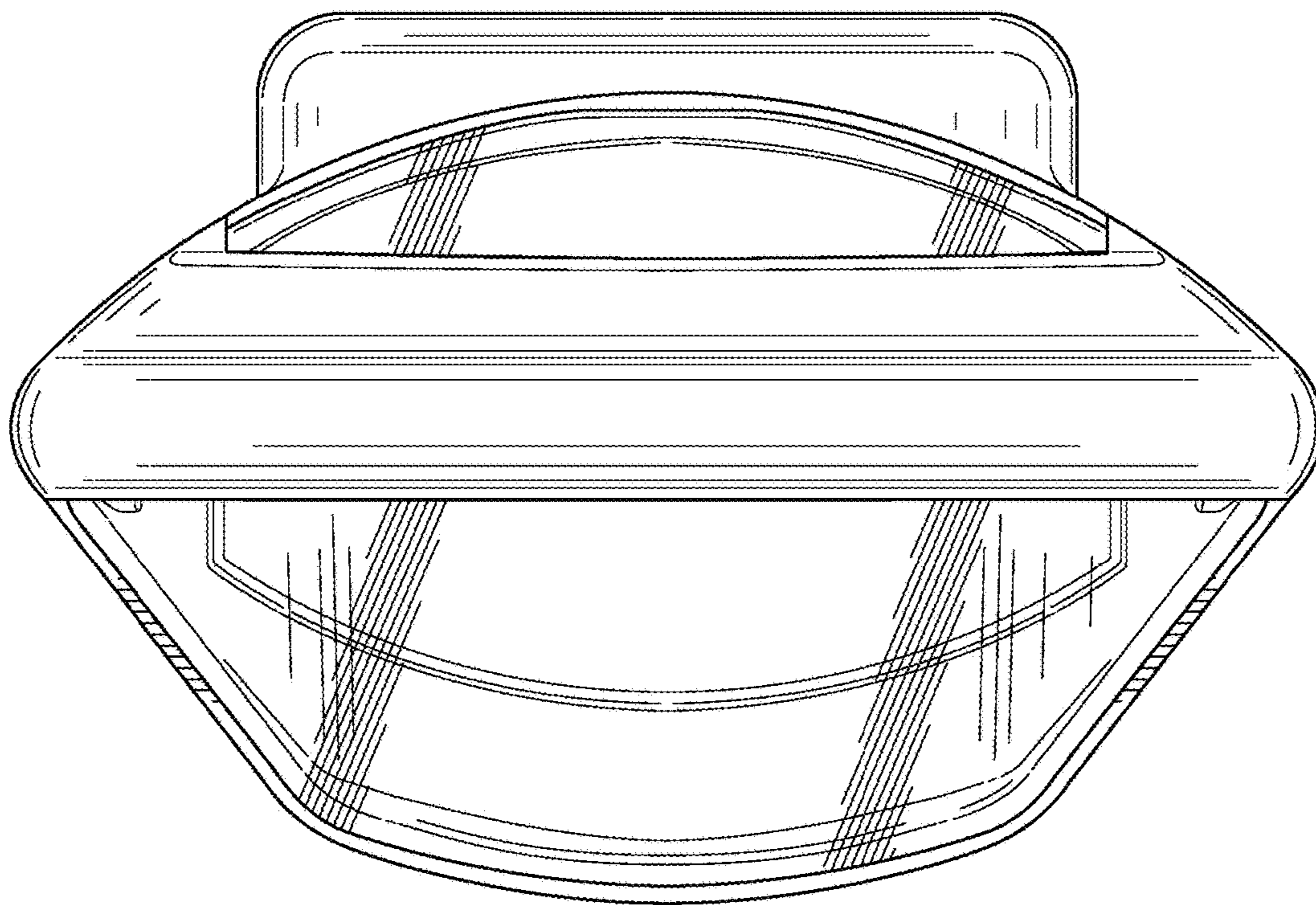


FIG. 6

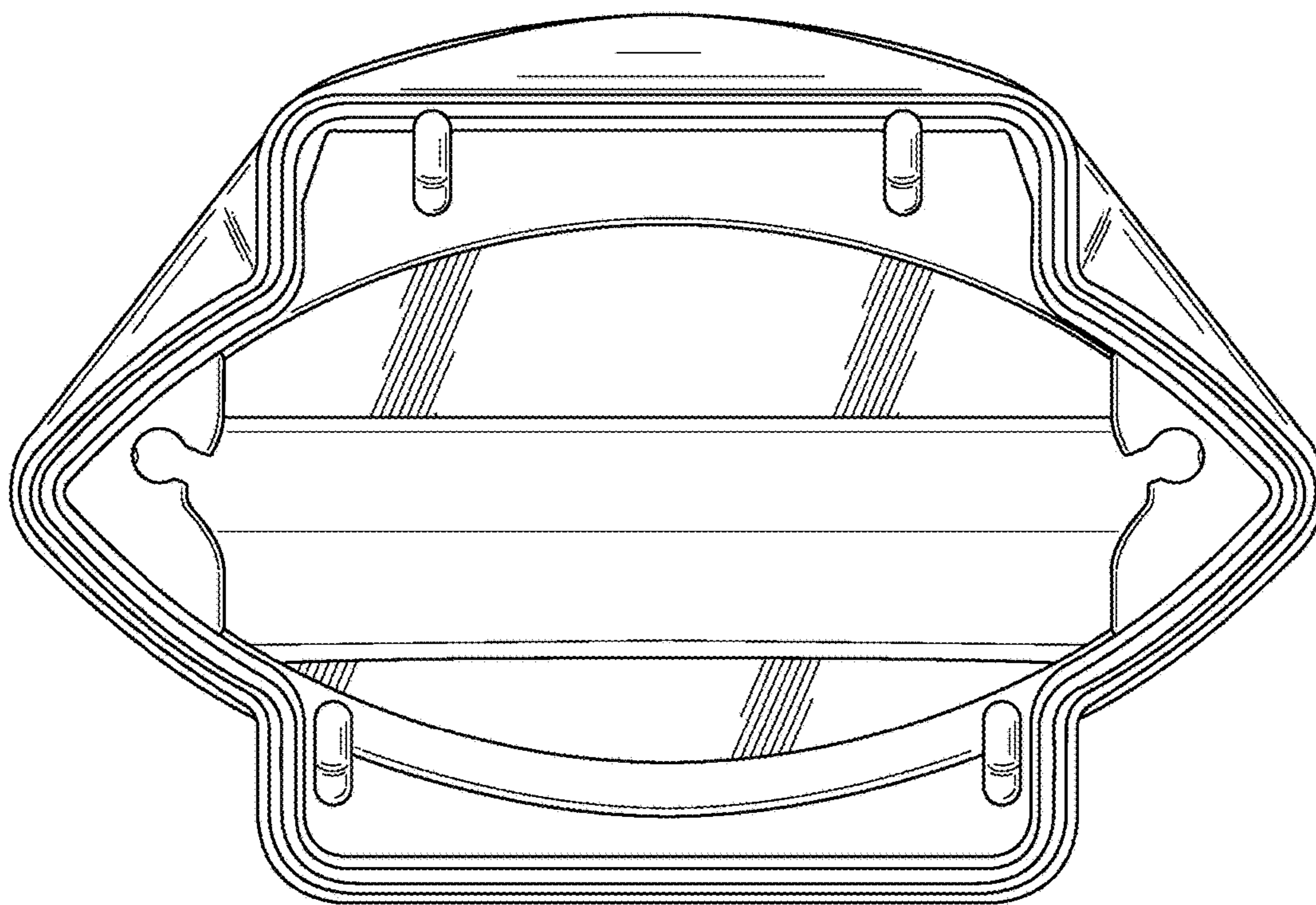


FIG. 7

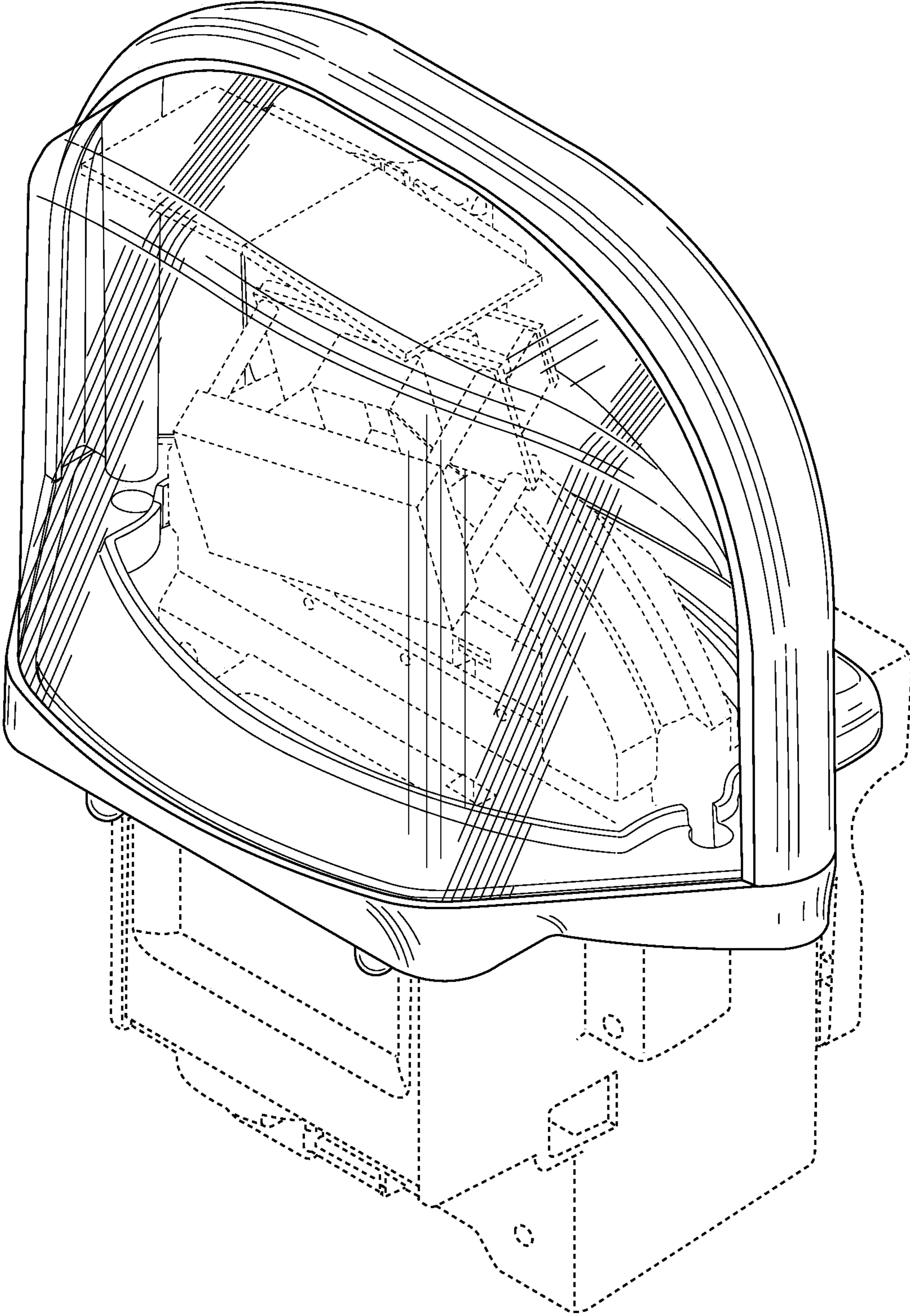


FIG. 8

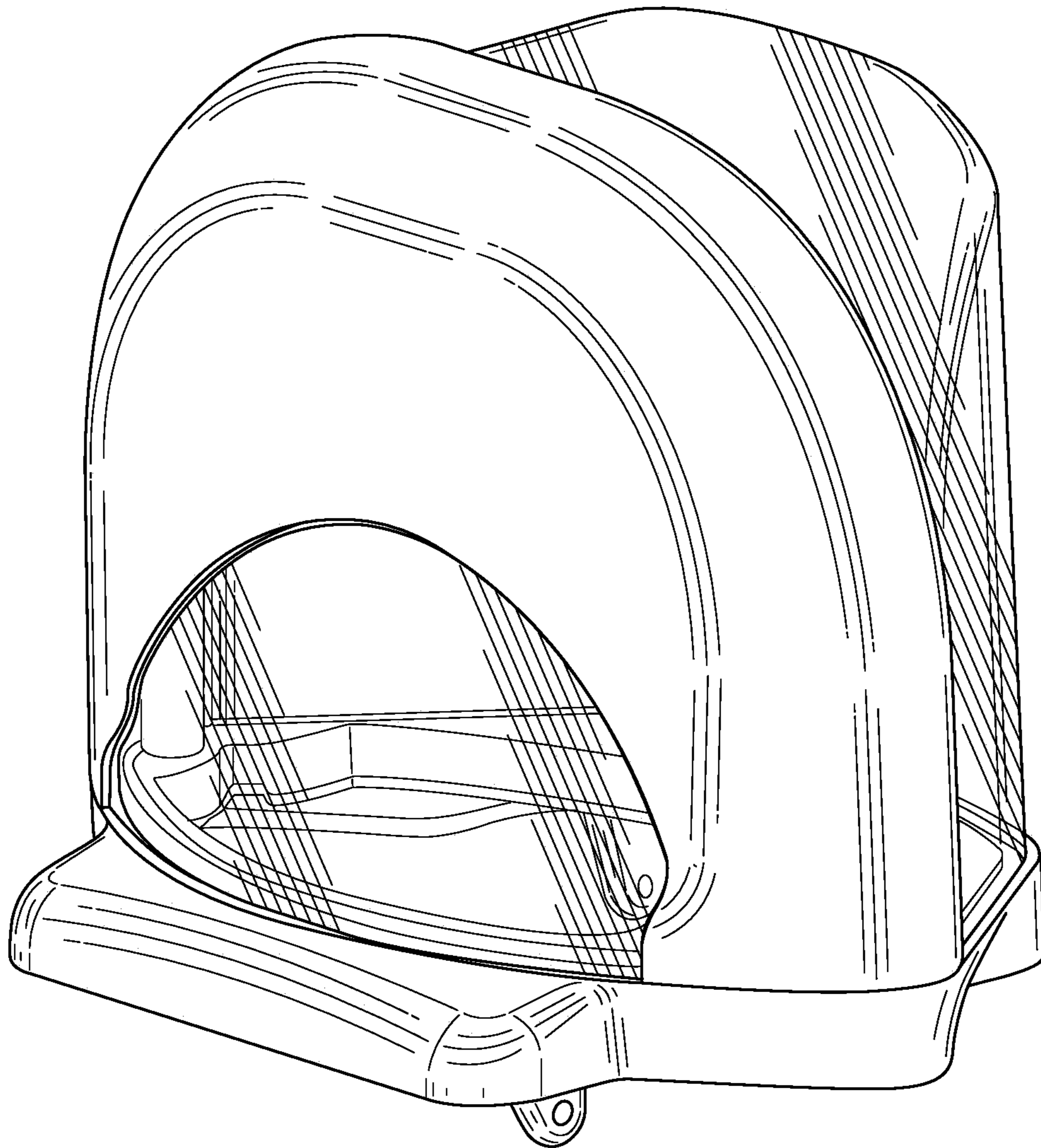


FIG. 9

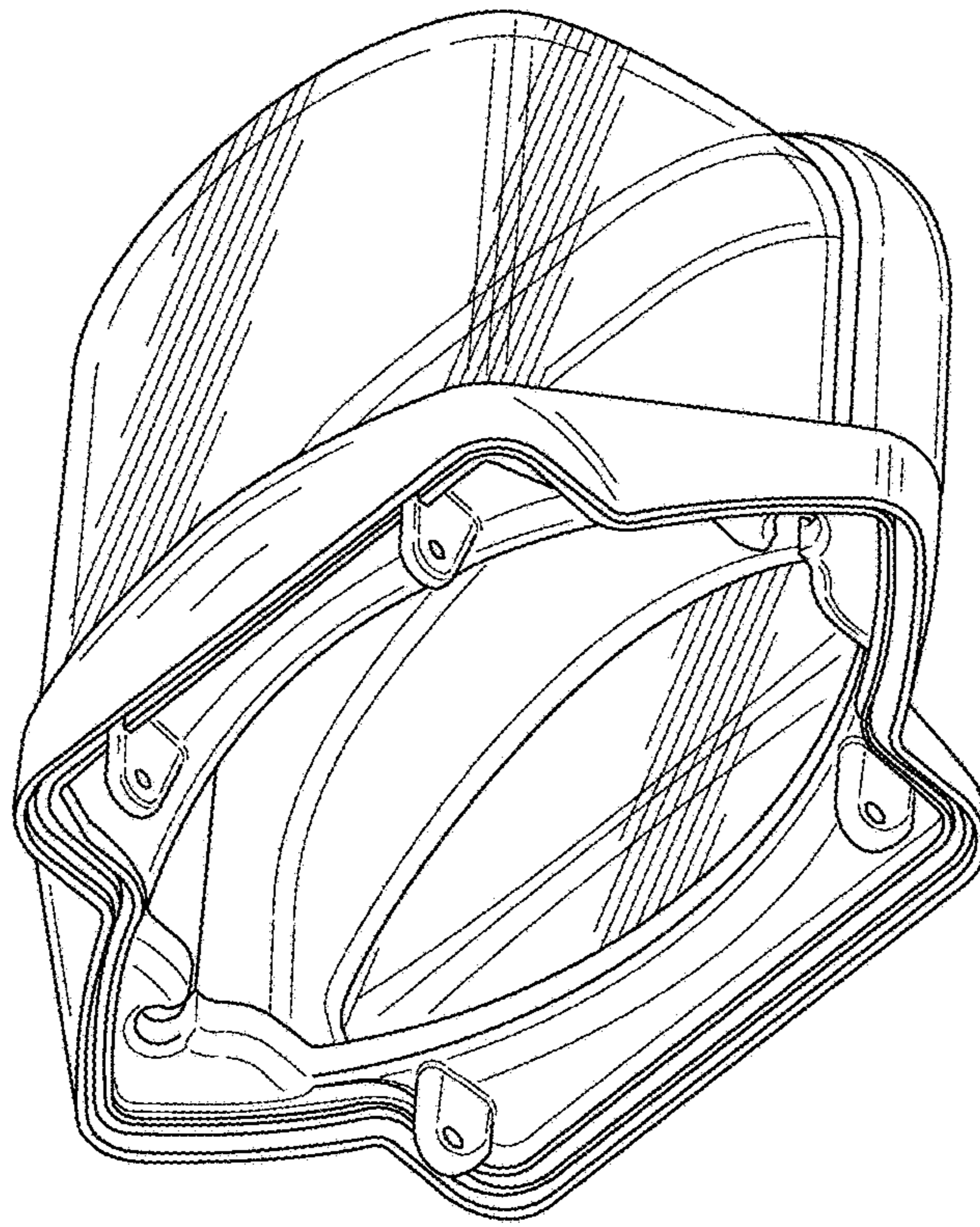


FIG. 10