



US00D804324S

(12) **United States Design Patent** (10) **Patent No.:** **US D804,324 S**
Tayara (45) **Date of Patent:** **** Dec. 5, 2017**

(54) **EGG CARTON** 2,560,847 A 7/1951 Chaplin
2,591,446 A 4/1952 Lennon
(71) Applicant: **Global Plastics, Inc.**, Perris, CA (US) 3,131,846 A * 5/1964 Whiteford B65D 85/324
206/521.8
(72) Inventor: **Tarek Tayara**, Perris, CA (US) 3,144,972 A 8/1964 Hartmann et al.
3,362,605 A 1/1968 Bixler
(73) Assignee: **GLOBAL PLASTICS, INC.**, Perris, CA (US) 3,421,682 A * 1/1969 Eisenbach B26F 1/24
206/502
3,453,108 A 7/1969 Howarth et al.
3,471,078 A 10/1969 Seest et al.
(**) Term: **15 Years** 3,603,499 A 9/1971 Snow
3,645,436 A 2/1972 Boyd et al.
(21) Appl. No.: **29/586,659** 3,661,317 A 5/1972 Noguchi
3,664,574 A 5/1972 Pearl et al.
(22) Filed: **Dec. 6, 2016** 3,672,693 A 6/1972 Weir
3,771,712 A 11/1973 Richards
(51) **LOC (10) Cl.** **09-03**
(52) **U.S. Cl.**
USPC **D9/757; D9/762**
(58) **Field of Classification Search**
USPC D9/762, 757, 737, 761, 420-426, 432,
D9/418, 415, 501, 72, 739, 742, 753, 756,
D9/741, 721; D7/611, 550.1, 605, 701,
D7/553.1, 553.2, 614; D3/313, 304, 311,
D3/314, 315; D24/227; 206/139,
206/201-203, 427, 265, 504, 518, 519,
206/524.1, 557, 561, 564, 565, 703, 704,
206/705, 523, 586, 515, 521.1, 521.15,
206/521.3, 521.6, 521.8, 521.4, 521.9,
206/406; 220/4.26, 508; 209/406;
D11/143, 155, 156
CPC B65D 5/5495; B65D 85/1072; B65D
5/5253; B65D 85/1063; B65D 5/0085;
B65D 21/0204; B65D 5/427; B65D
21/0201; B65D 5/009; B65D 77/006;
B65D 85/324; B65D 85/32; B65D 71/70;
B65D 85/322; B65D 25/04
See application file for complete search history.

(Continued)

FOREIGN PATENT DOCUMENTS

WO WO 2012010992 1/2012
Primary Examiner — Cathron Brooks
Assistant Examiner — Teddy Falloway
(74) *Attorney, Agent, or Firm* — Cislo & Thomas, LLP

(57) **CLAIM**

The ornamental design for an egg carton, as shown and described.

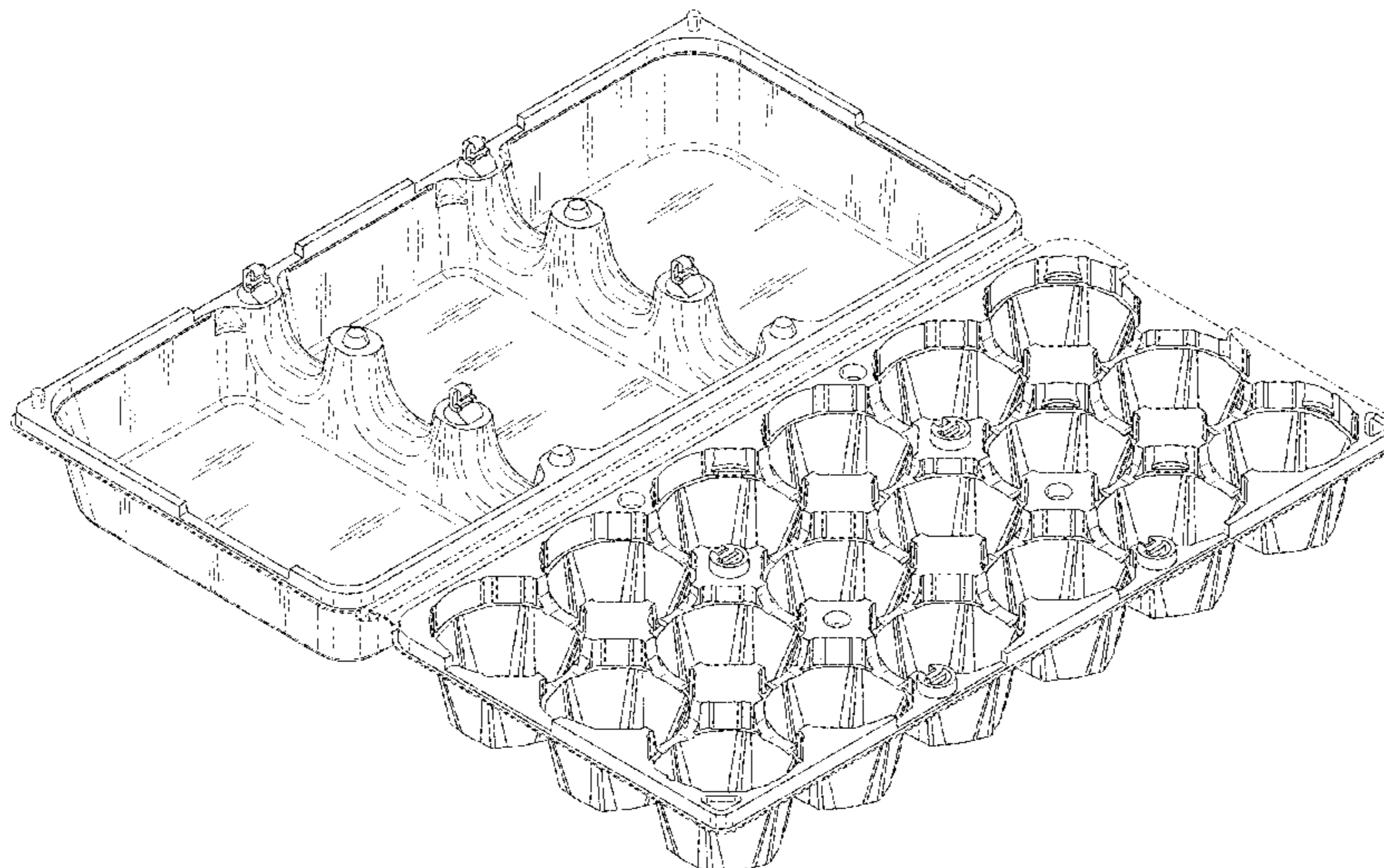
DESCRIPTION

FIG. 1 is a perspective view of my egg carton in an open configuration;
FIG. 2 is a front view thereof;
FIG. 3 is a rear view thereof;
FIG. 4 is a left side view thereof;
FIG. 5 is a right side view thereof;
FIG. 6 is a top view thereof; and,
FIG. 7 is a bottom view thereof.
The broken lines in the drawings illustrate portions of the egg carton that form no part of the claimed design.

1 Claim, 5 Drawing Sheets

(56) **References Cited**
U.S. PATENT DOCUMENTS

2,285,129 A 6/1942 Schwartzberg
2,455,295 A * 11/1948 Cox B65D 85/324
206/521.1



(56)

References Cited

U.S. PATENT DOCUMENTS

3,779,370 A 12/1973 Snow et al.
 3,813,027 A 5/1974 Misdorn, Jr. et al.
 3,908,891 A 9/1975 Jackson
 4,025,038 A 5/1977 Reifers et al.
 4,057,188 A * 11/1977 Steinhardt B29C 51/00
 206/521.1
 4,059,219 A 11/1977 Reifers et al.
 4,352,427 A 10/1982 Lake
 4,448,344 A 5/1984 Lord et al.
 D274,790 S 7/1984 Bixler et al.
 4,492,331 A 1/1985 Bixler et al.
 4,609,141 A 9/1986 Lake
 4,625,905 A 12/1986 Mangla
 4,657,173 A 4/1987 Lake
 D291,533 S * 8/1987 Mangla D9/757
 4,742,953 A 5/1988 Jacobs et al.
 4,795,080 A 1/1989 McIntyre
 D305,405 S 1/1990 Wilkinson
 D306,138 S 2/1990 Congleton et al.
 5,927,501 A 7/1999 Herbruck
 D466,802 S 12/2002 Davkovski
 7,255,231 B2 8/2007 Andrews et al.
 7,353,951 B2 4/2008 Vovan
 7,686,181 B2 * 3/2010 St-Onge B65D 85/32
 220/324
 D616,267 S * 5/2010 Kulzer D7/701
 D616,270 S * 5/2010 Kulzer D7/701
 D616,714 S * 6/2010 Kulzer D7/701
 D619,860 S * 7/2010 Kulzer D7/553.2

7,766,169 B2 8/2010 St-Onge
 D632,974 S 2/2011 Dijkstra et al.
 D632,975 S 2/2011 Dijkstra et al.
 D632,976 S 2/2011 Dijkstra et al.
 D632,977 S 2/2011 Dijkstra et al.
 D689,376 S 9/2013 Von Der Ahe
 8,695,803 B2 4/2014 Blanchette et al.
 8,863,955 B2 10/2014 St. Onge
 D735,585 S 8/2015 Tayara
 D739,265 S 9/2015 Byckley et al.
 9,340,343 B2 * 5/2016 Ramirez B65D 71/0096
 9,340,349 B2 5/2016 Ramirez et al.
 D758,916 S * 6/2016 Davis D11/143
 D766,663 S * 9/2016 Bergeron D7/553.1
 2005/0178689 A1 8/2005 Aardema et al.
 2006/0060493 A1 3/2006 Marshall
 2007/0138177 A1 6/2007 Vovan
 2007/0151892 A1 * 7/2007 St-Onge B65D 85/32
 206/521.1
 2007/0256954 A1 * 11/2007 Vovan B65D 71/70
 206/521.1
 2010/0187150 A1 7/2010 Dijkstra et al.
 2011/0233100 A1 9/2011 Attard
 2013/0020224 A1 1/2013 Ramirez et al.
 2013/0048527 A1 2/2013 Ramirez et al.
 2013/0048528 A1 2/2013 Ramirez et al.
 2013/0126384 A1 5/2013 Ogg
 2013/0183412 A1 * 7/2013 Ramirez B65D 85/324
 426/119
 2013/0264243 A1 * 10/2013 Aardema B65D 85/32
 206/521.1

* cited by examiner

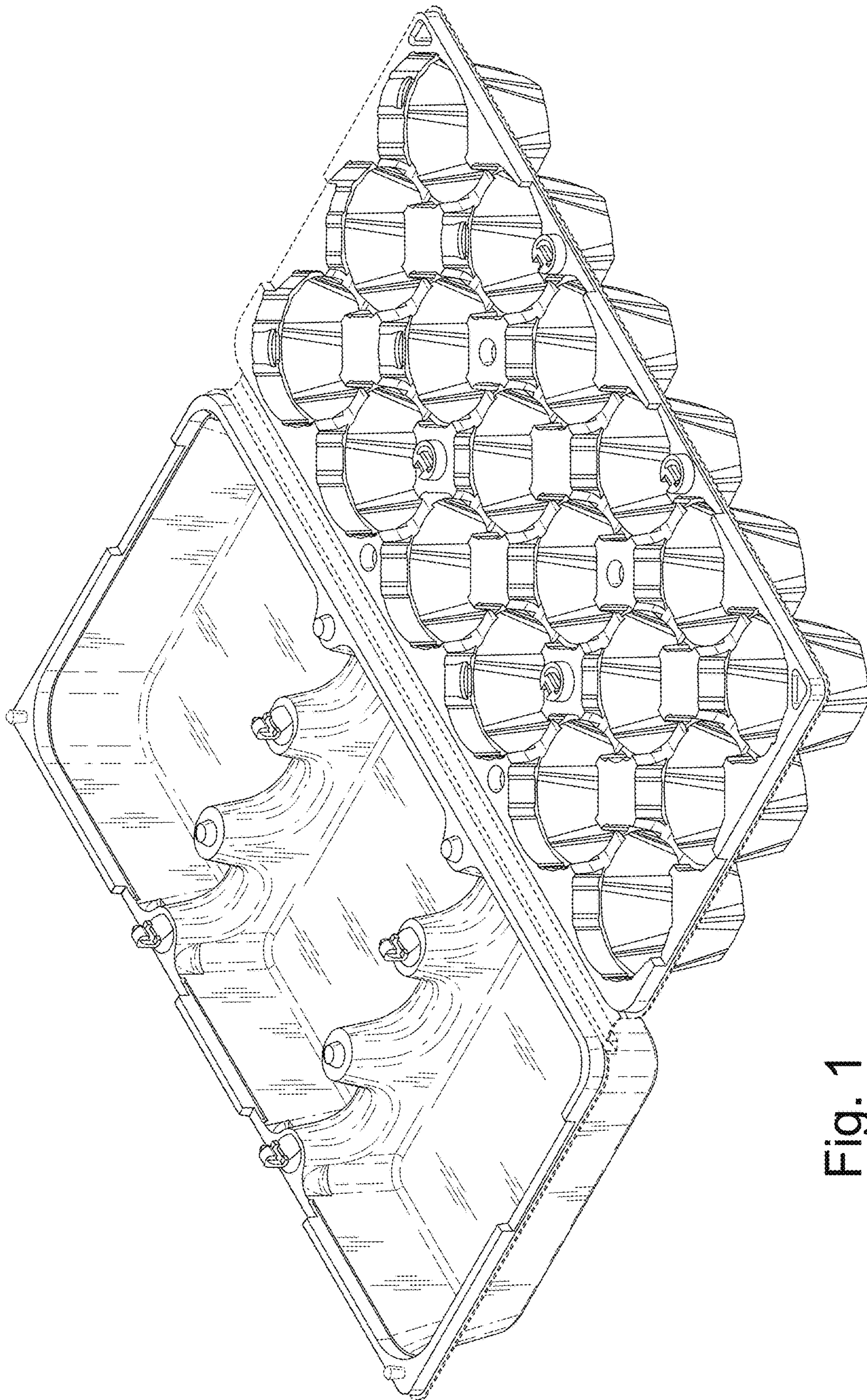


Fig. 1

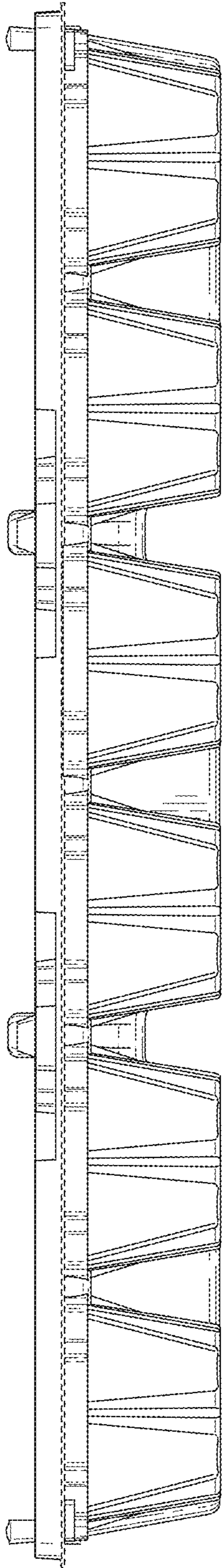


Fig. 2

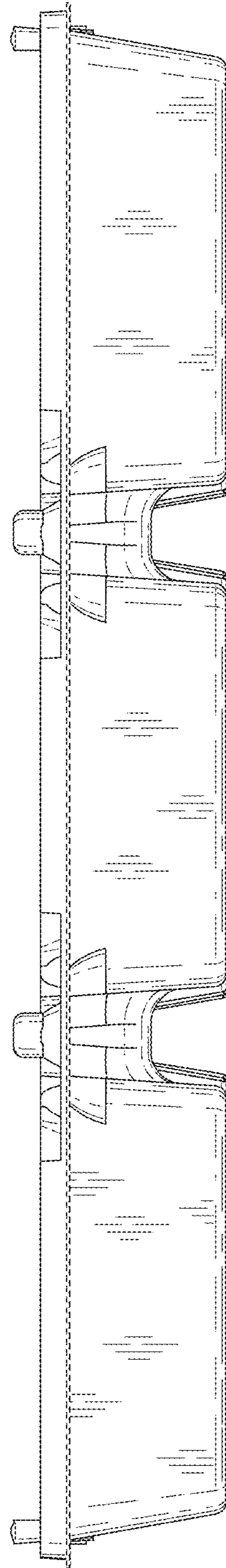


Fig. 3

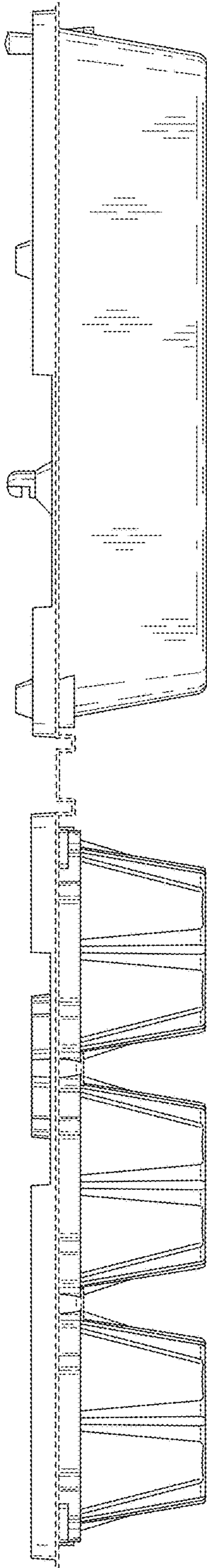


Fig. 4

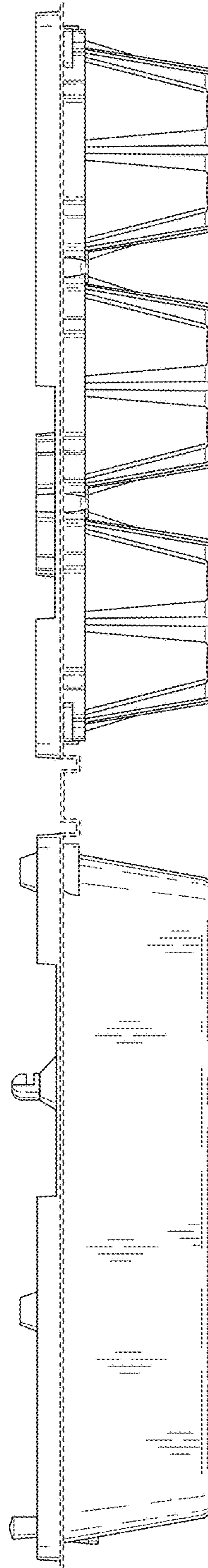


Fig. 5

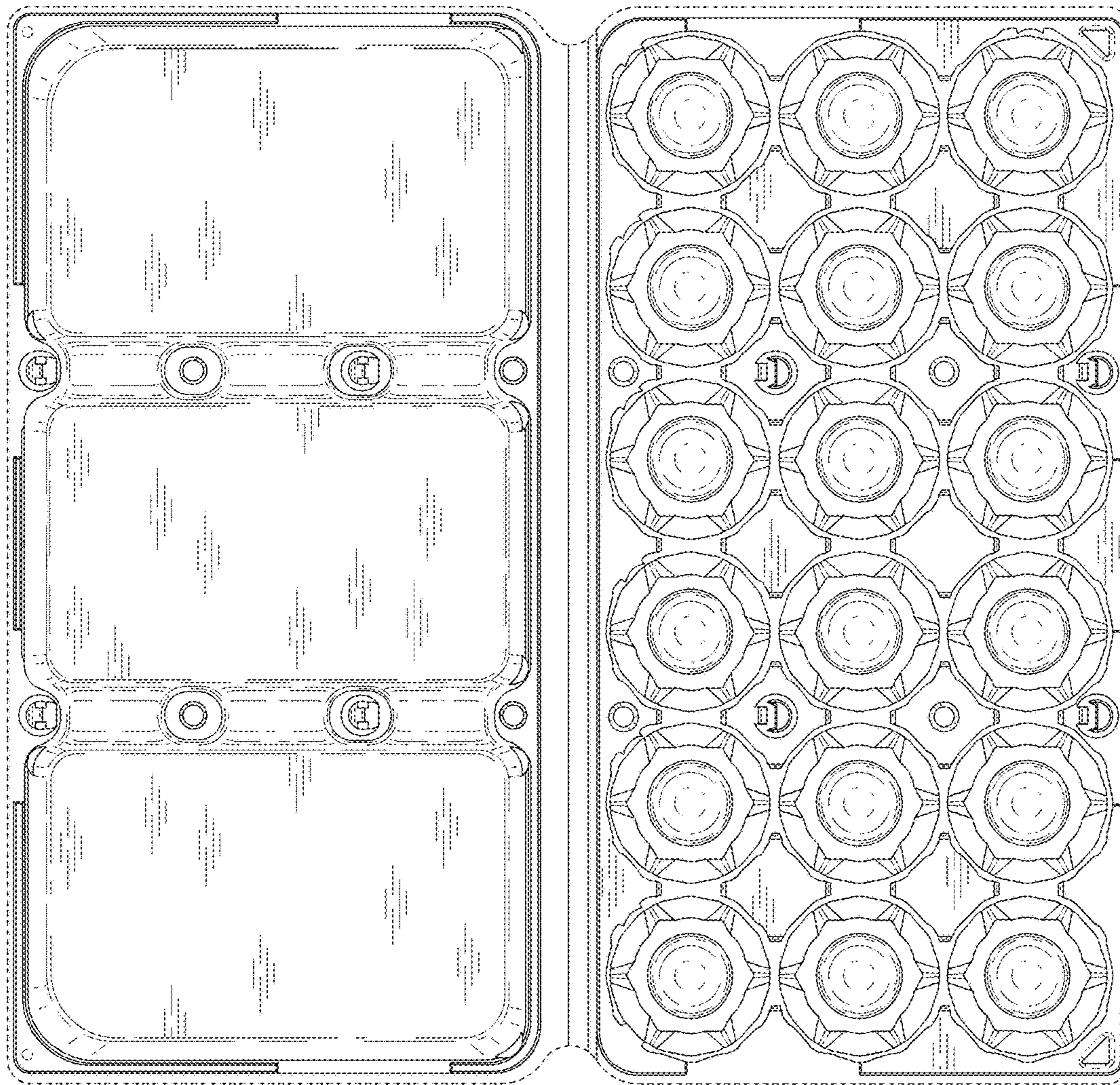


Fig. 6

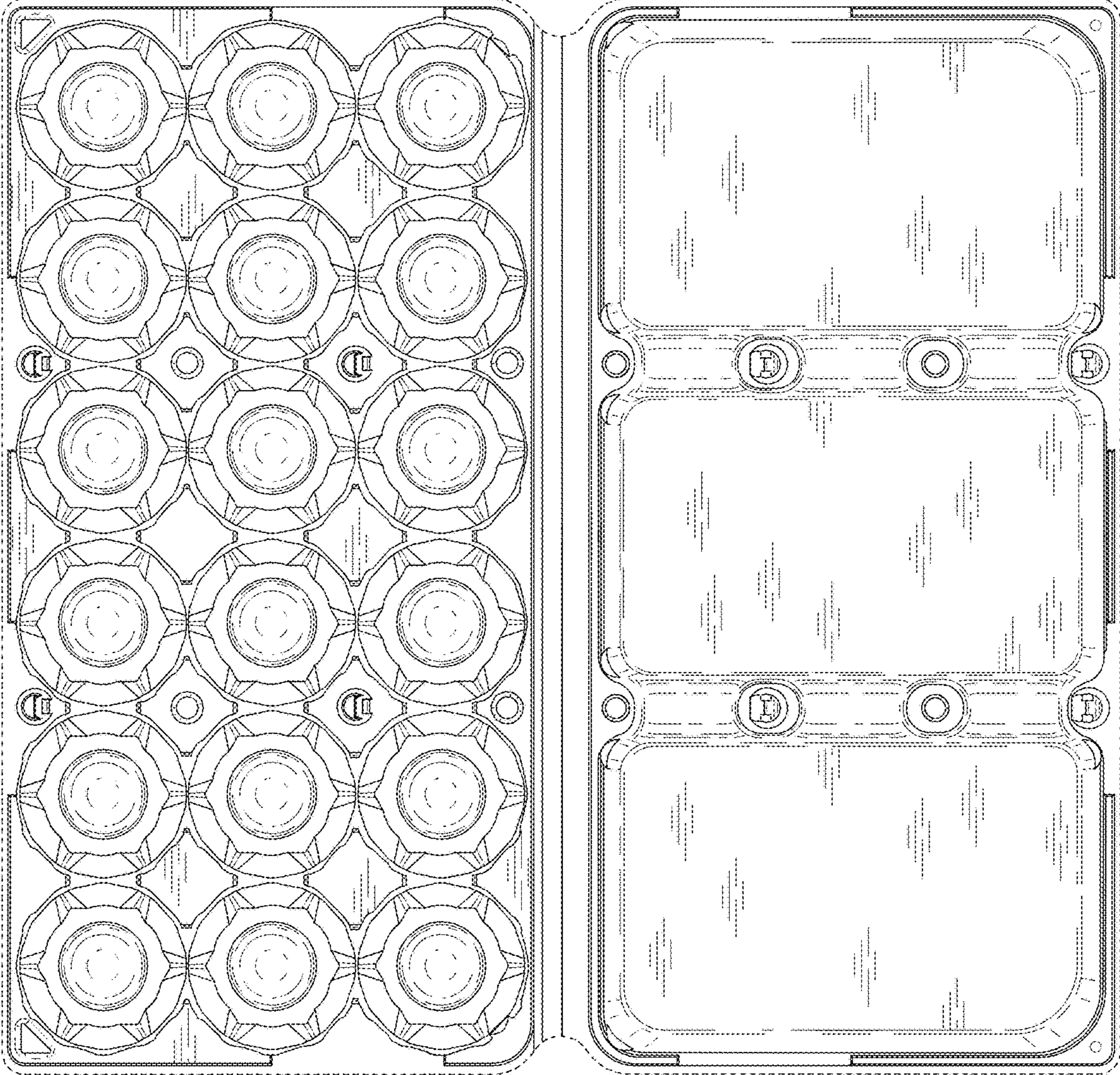


Fig. 7