



US00D804322S

(12) **United States Design Patent** (10) **Patent No.:** **US D804,322 S**
Fox et al. (45) **Date of Patent:** **** Dec. 5, 2017**

(54) **PACKAGE FOR WAX ARTICLE**
(71) Applicant: **The Procter & Gamble Company**, Cincinnati, OH (US)
(72) Inventors: **Sara Elizabeth Fox**, Cincinnati, OH (US); **Travis Propes**, Charleston, SC (US)
(73) Assignee: **The Procter & Gamble Company**, Cincinnati, OH (US)
(**) Term: **15 Years**
(21) Appl. No.: **29/575,436**
(22) Filed: **Aug. 25, 2016**
(51) **LOC (10) Cl.** **09-03**
(52) **U.S. Cl.**
USPC **D9/756; D9/425**
(58) **Field of Classification Search**
USPC D9/341, 347, 414-432, 440, 444, 447, D9/449, 450-454, 503, 504, 737, 759, D9/761; D7/672, 601, 550.1, 551.1, D7/551.2, 551.3, 552.1, 552.2, 553.1, D7/553.2, 553.3, 553.4, 553.5, 553.7, D7/553.8, 554.1, 554.3, 555, 557, 602, D7/629, 630, 612-615, 584, 586, 587, D7/392.1, 709, 608, 622, 701, 703, D7/543-549, 317-319, 391, 392, 396.2, D7/510, 511; D3/273, 201-206, 276, D3/283, 284, 295, 274, 302; 229/107, 229/406, 120, 125.17; 220/669-673, 675, 220/574, 575, 573.1, 4.21, 660, 326, 236, 220/780-806, 4.24, 288, 260, 266, 306, 220/352, 356, 523, 23.8, 23.2, 23.83, 220/23.4, 662, 783, 792-799, 700, 701, 220/703, 711, 713-715, 719; 426/106; 206/216, 217, 541-550, 518, 557, 558, 206/561, 564, 223, 467; 215/211, 200, 215/224, 243; 249/126, 134
CPC A47G 19/00; A47G 19/02; B65D 1/34; B65D 21/00; B65D 1/00; B65D 21/0204
See application file for complete search history.

(56) **References Cited**
U.S. PATENT DOCUMENTS
D111,078 S * 8/1938 Langel D7/391
D228,867 S * 10/1973 Mallonn 220/377
D230,342 S * 2/1974 Mallonn 220/377
D230,343 S * 2/1974 Mallonn D7/391
D230,556 S * 3/1974 Mallonn D7/391
(Continued)

FOREIGN PATENT DOCUMENTS
WO WO 2015/116528 A1 8/2015

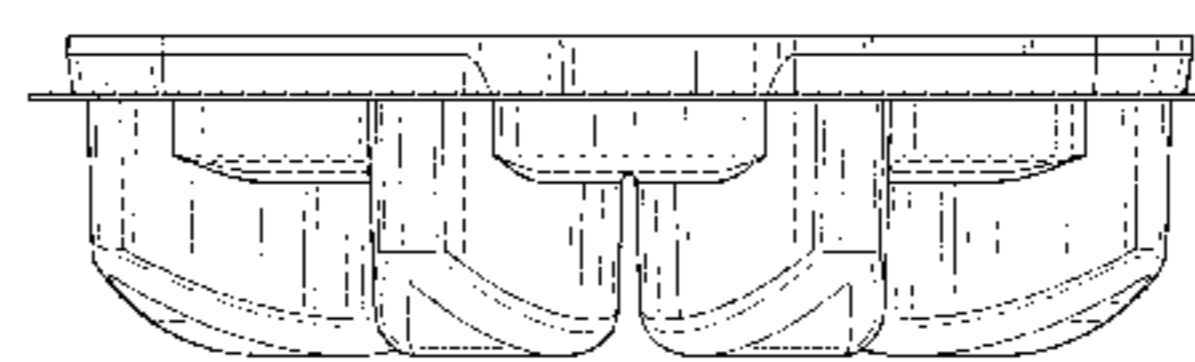
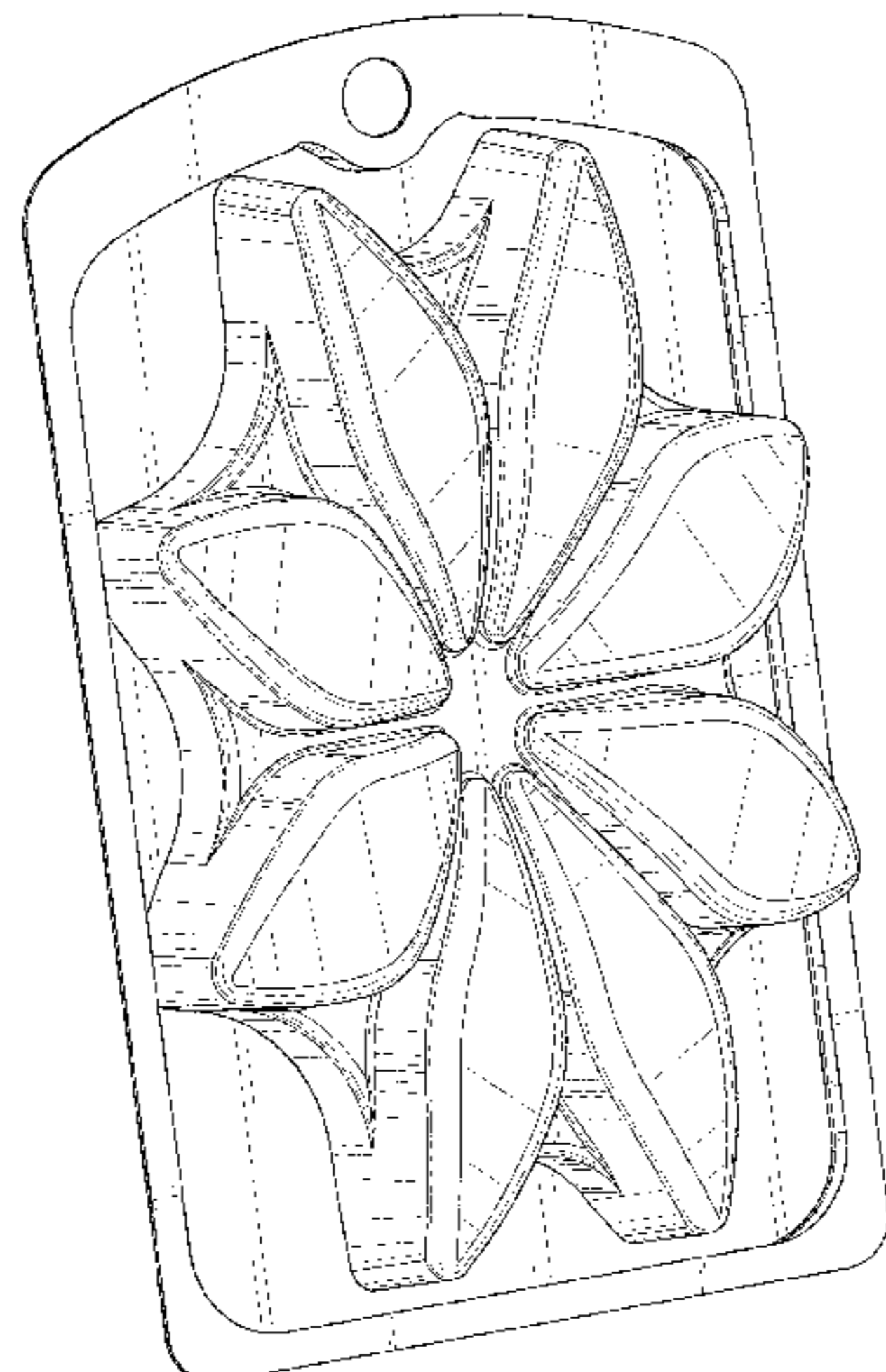
OTHER PUBLICATIONS
Febreze Unstoppables Shimmer Wax Melts, available Apr. 30, 2017, [online], [site visited May 12, 2017]. Available from internet, <URL: https://www.amazon.com/Febreze-Unstoppables-Shimmer-Wax-Melts/dp/B01N2GG7Z8/ref=pd_sim_121_1?_encoding=UTF8&pd_rd_i=B01N2GG7Z8&pd_rd_r=29F1V56P3TK0P4B7Y3RD&pd_rd_w=ulzDE&pd_rd_wg=Y9hh3&psc=1&refRID=29F1V56P3TK0P4B7Y3RD>.
(Continued)

Primary Examiner — Cathron Brooks
Assistant Examiner — Teddy Falloway
(74) *Attorney, Agent, or Firm* — Abbey A. Lopez

(57) **CLAIM**
The ornamental design for a package for wax article, as shown and described.

DESCRIPTION
FIG. 1 is a front perspective view of a package for wax article;
FIG. 2 is a front view thereof;
FIG. 3 is a back view thereof;
FIG. 4 is a left view thereof;
FIG. 5 is a right view thereof;
FIG. 6 is a top view thereof; and,
FIG. 7 is a bottom view thereof.

1 Claim, 7 Drawing Sheets



(56)

References Cited

U.S. PATENT DOCUMENTS

D271,769 S * 12/1983 Daenen D15/90
 D285,638 S * 9/1986 Trivison D7/557
 D288,698 S * 3/1987 Finnamore D21/341
 D371,511 S * 7/1996 Giarracca D9/756
 D420,854 S * 2/2000 Michaeli D7/553.6
 D474,107 S * 5/2003 Osborne D28/79
 D533,773 S * 12/2006 Sander D9/415
 D546,062 S * 7/2007 Tate D3/271.8
 D546,127 S * 7/2007 Vovan D7/552.2
 D549,094 S * 8/2007 Oner D9/418
 D562,135 S * 2/2008 Studee D9/452
 D568,742 S * 5/2008 Kunesh D9/445
 D605,470 S * 12/2009 Sluiman D7/553.6
 D641,233 S * 7/2011 Pugh D9/415
 D670,178 S * 11/2012 Carson D9/416
 D683,243 S * 5/2013 Carson D9/732
 D698,866 S * 2/2014 Abdullah D19/77
 D701,567 S * 3/2014 Abdullah D19/77
 D706,000 S * 5/2014 Martinez D30/121
 D706,001 S * 5/2014 Hansen D30/121
 D728,157 S * 4/2015 Sarb D28/8.1
 D728,383 S * 5/2015 Sifuentes D9/425
 D743,736 S * 11/2015 Hand D7/389
 D764,274 S * 8/2016 Arinsmier D9/425
 2009/0057381 A1 * 3/2009 Gokhale B65D 1/26
 229/104
 2010/0326878 A1 * 12/2010 Mangino B65D 1/36
 206/561
 2013/0140314 A1 * 6/2013 Pinotti B65D 21/0206
 220/556
 2016/0214778 A1 * 7/2016 Goodsell B65D 47/32

OTHER PUBLICATIONS

Febreze Unstopables Fresh Wax Melts, available Jan. 25, 2017, [online], [site visited May 12, 2017]. Available from internet, <URL: https://www.amazon.com/Febreze-Unstopables-Fresh-Wax-Melts/dp/B01MSLRTB2/ref=sr_1_2_a_it?ie=UTF8&qid=1494604506&sr=8-2&keywords=unstopables+wax.*>
 Febreze Unstopables Spring Wax Melts, available May 2, 2017, [online], [site visited May 12, 2017]. Available from internet, <URL: https://www.amazon.com/Febreze-Unstopables-Spring-Wax-Melts/dp/B01MXKZJOZ/ref=pd_bxgy_121_img_3?_encoding=UTF8&pd_rd_i=B01MXKZJOZ&pd_rd_r=BVTDHT4QSZXS7VQGBA8W&pd_rd_w=O7L8o&pd_rd_wg=ObztH&psc=1&refRID=BVTDHT4QSZXS7VQGBA8W.*>
 Mother's Day Edible Flower Basket, available Jul. 15, 2014, [online], [site visited May 12, 2017]. Available from internet, <URL: <http://krazyinthekitchen.com/cakes-and-cupcakes/mothers-day-edible-flower-basket/>>.*
 Pan Aroma Scented Wax Melt Vanilla Breeze; available—[httpwww.homestoreandmore.iewax-melts-pan-aroma-scented-wax-melt-vanilla-breezeinv063695](http://www.homestoreandmore.iewax-melts-pan-aroma-scented-wax-melt-vanilla-breezeinv063695); Downloaded Jul. 13, 2016.
 All Office Action for U.S. Appl. No. 15/246,740.
 All Office Action for U.S. Appl. No. 29/575,434.
 All Office Action for U.S. Appl. No. 29/575,435.
 All Office Action for U.S. Appl. No. 29/575,437.
 All Office Action for U.S. Appl. No. 29/600,263.
 All Office Action for U.S. Appl. No. 29/600,265.
 U.S. Appl. No. 15/246,740, filed Aug. 25, 2016, Fox, et al.
 U.S. Appl. No. 29/575,434, filed Aug. 25, 2016, Fox, et al.
 U.S. Appl. No. 29/575,435, filed Aug. 25, 2016, Fox, et al.
 U.S. Appl. No. 29/575,437, filed Aug. 25, 2016, Fox, et al.
 U.S. Appl. No. 29/600,263, filed Apr. 11, 2017, Bumpass, et al.
 U.S. Appl. No. 29/600,265, filed Apr. 11, 2017, Bumpass, et al.

* cited by examiner

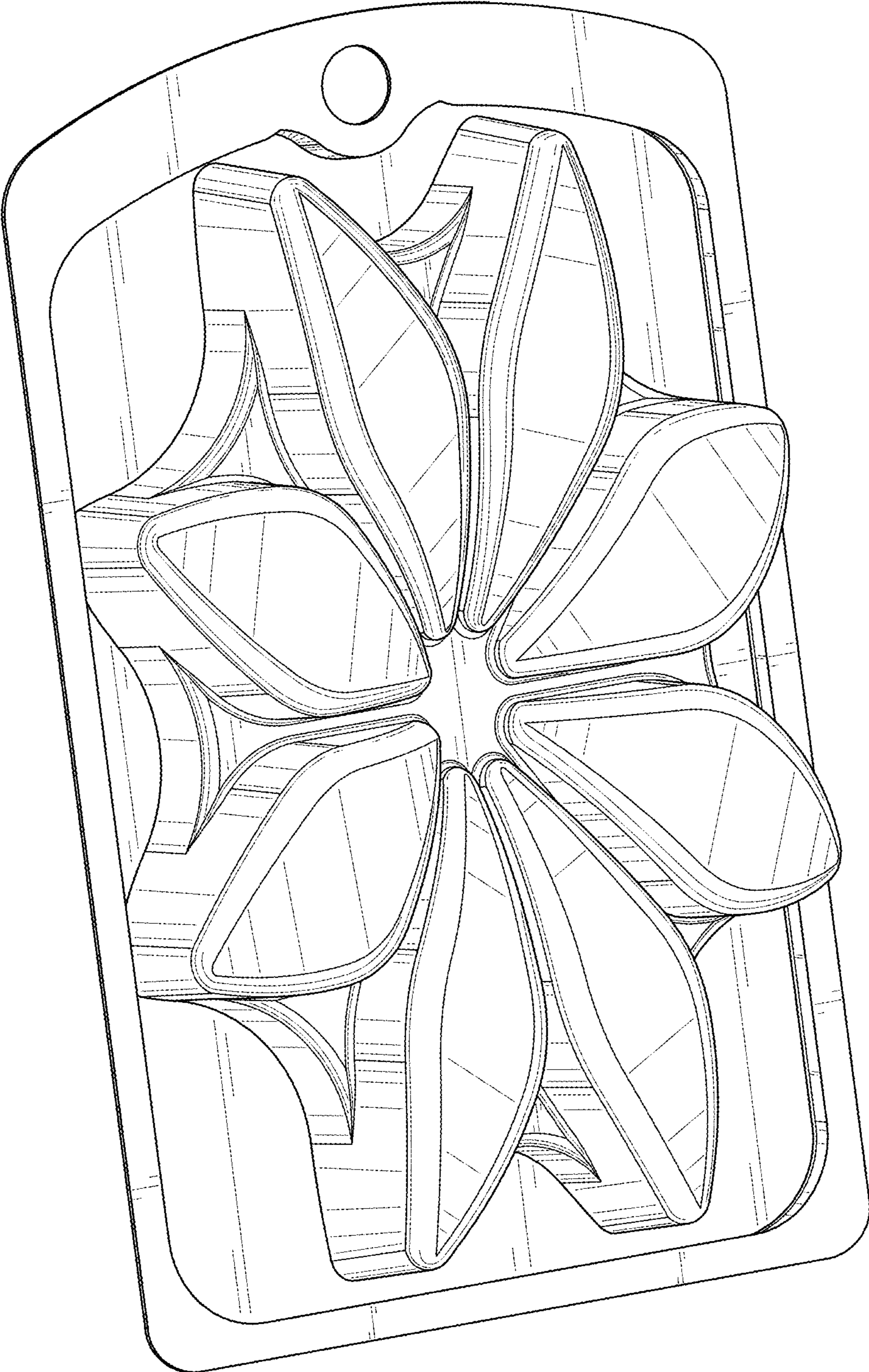


Fig. 1

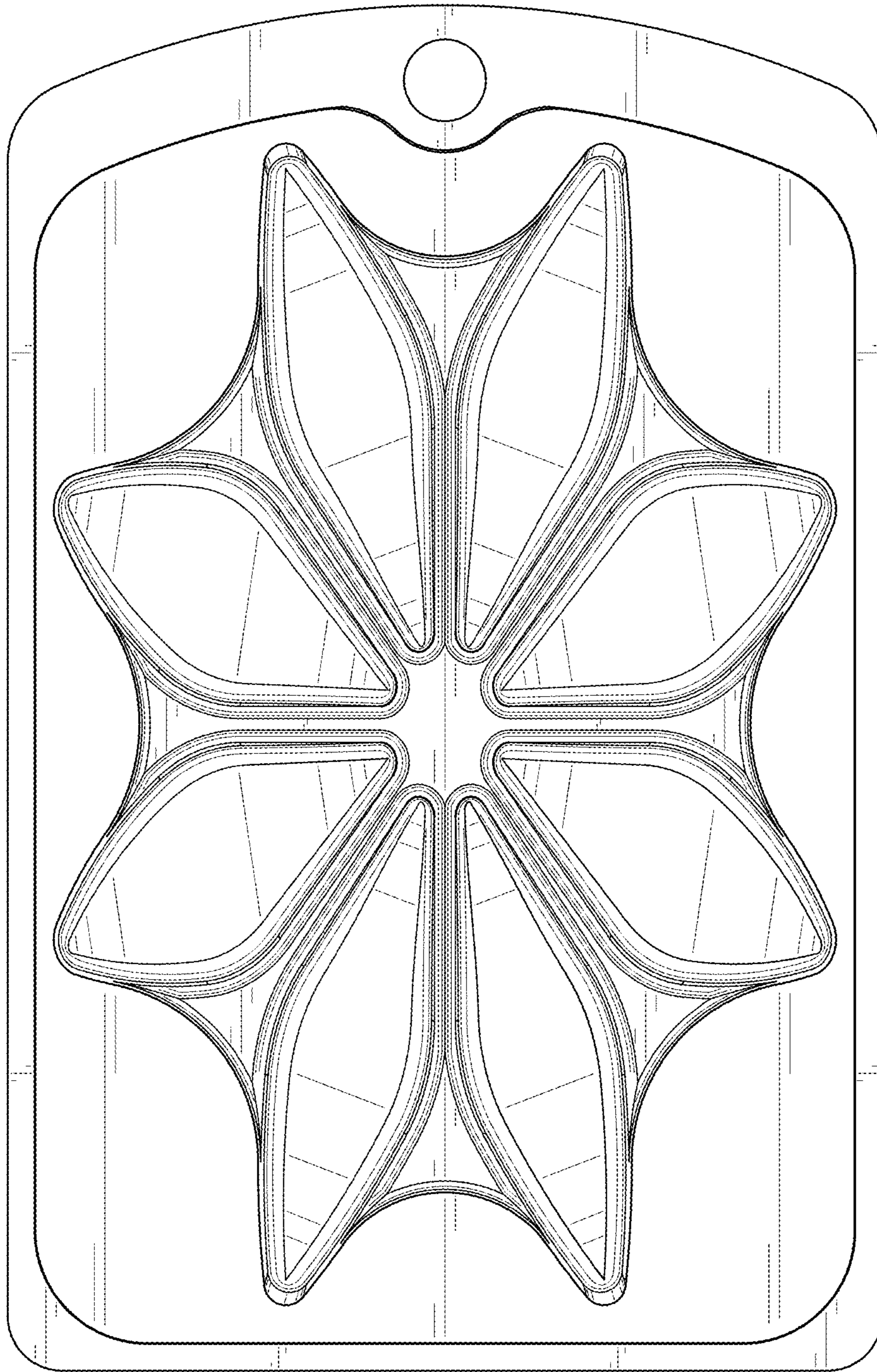


Fig. 2

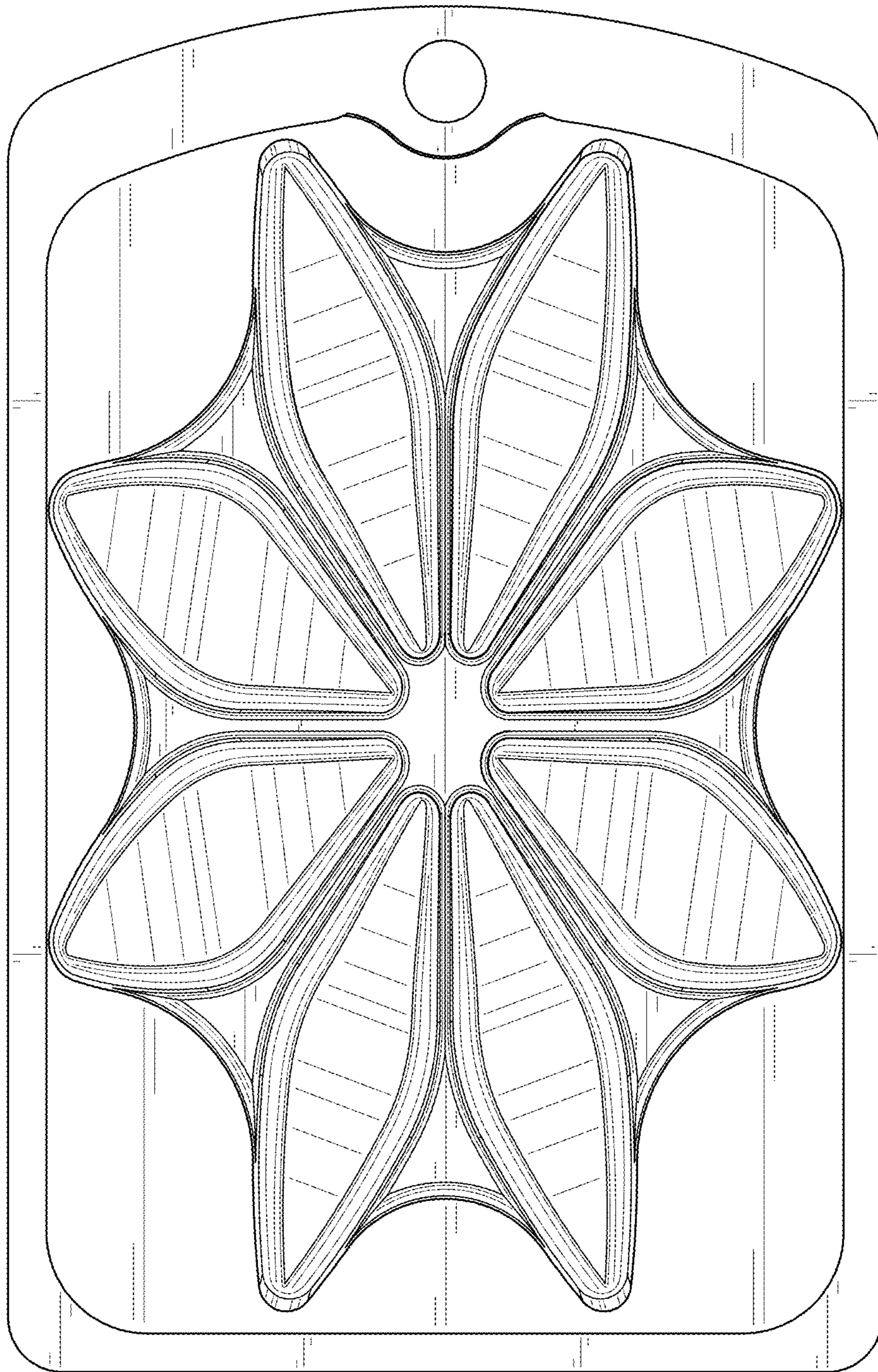


Fig. 3

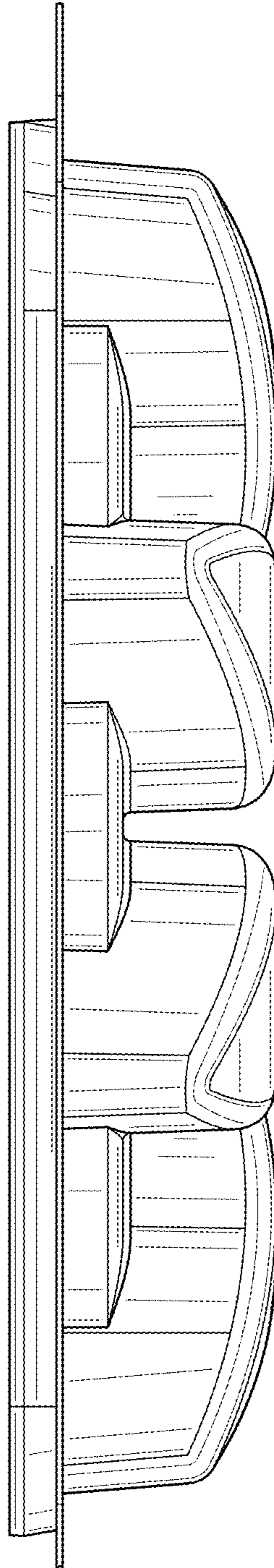


Fig. 4

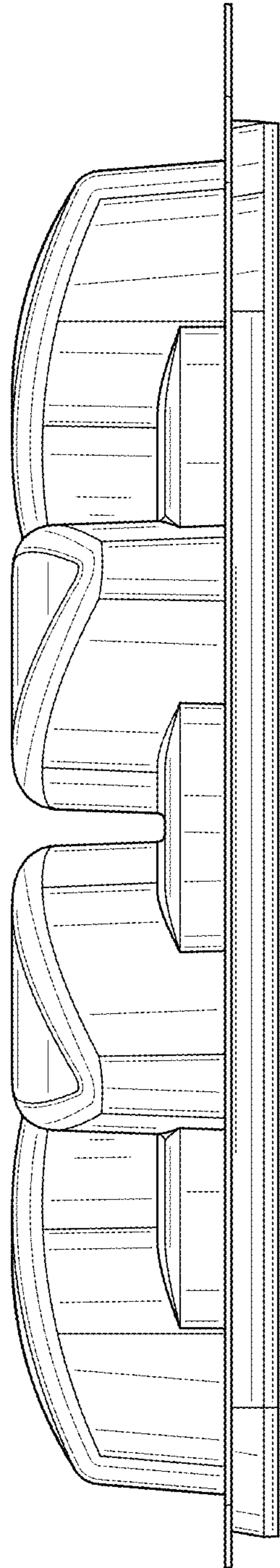


Fig. 5

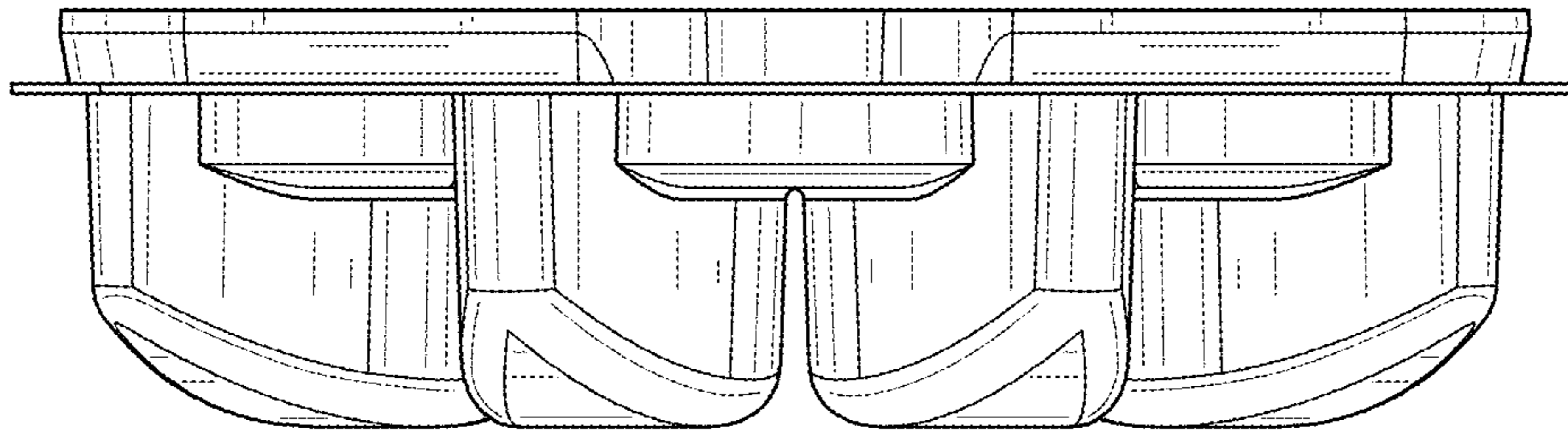


Fig. 6

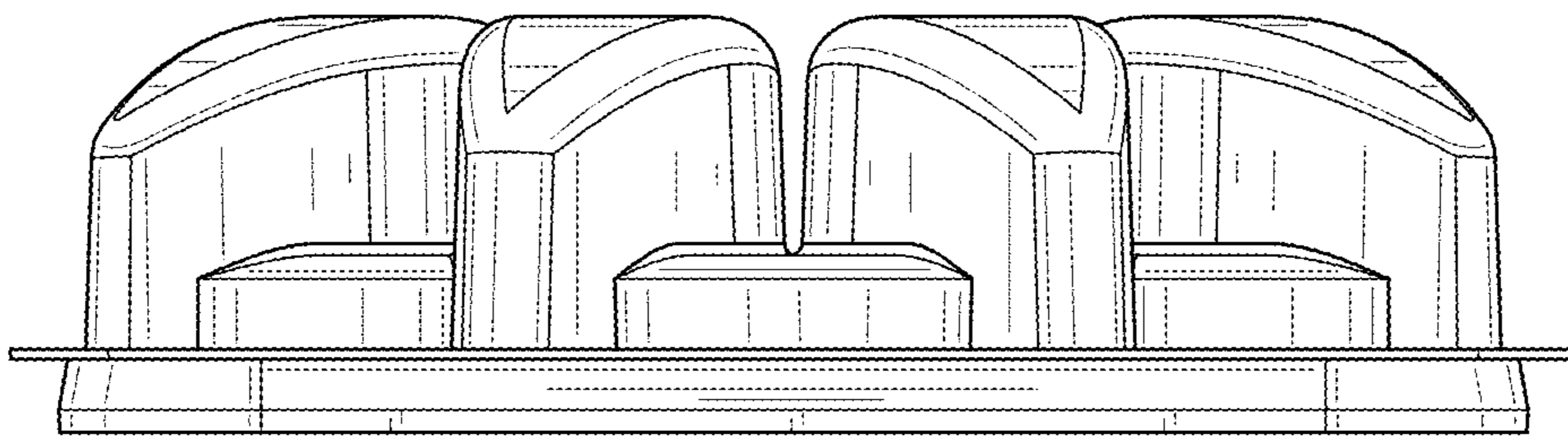


Fig. 7