



US00D804318S

(12) **United States Design Patent** (10) **Patent No.:** **US D804,318 S**
Perez et al. (45) **Date of Patent:** **** Dec. 5, 2017**

(54) **BOTTLE**
(71) Applicant: **Societe des Produits Nestlé S.A.,**
Vevey (CH)
(72) Inventors: **Ricardo Perez**, New Haven, CT (US);
Vincent Teniere, Saint-Jouin-Bruneval
(FR)
(73) Assignee: **SOCIETE DES PRODUITS NESTLE**
S.A., Vevey (CH)
(**) Term: **15 Years**
(21) Appl. No.: **29/567,719**
(22) Filed: **Jun. 11, 2016**
(51) **LOC (10) Cl.** **09-01**
(52) **U.S. Cl.**
USPC **D9/549**
(58) **Field of Classification Search**
USPC D9/522, 530, 531, 543, 549, 558, 564,
D9/565, 569, 572, 573; 215/40, 44, 200,
215/381-384, 396; 220/288, 662, 669,
220/675, 752, 755, 771; 222/182, 209;
426/115
CPC B65D 1/02; B65D 1/0223; B65D 1/0246;
B65D 5/46; B65D 41/00; B65D 41/02;
B65D 41/04; B65D 2501/00; B65D
2501/0009
See application file for complete search history.

(56) **References Cited**
U.S. PATENT DOCUMENTS
5,593,056 A * 1/1997 Mero B65D 1/0223
215/379
D429,156 S * 8/2000 Williams D9/520
D479,131 S 9/2003 Warner et al.
D484,809 S 1/2004 Pascuzzo
D509,746 S * 9/2005 Mero D9/538

D556,044 S 11/2007 Hirata
D556,590 S 12/2007 Dorn et al.
D558,582 S * 1/2008 Venkataraman D9/550
D561,036 S 2/2008 Boon et al.
D561,040 S 2/2008 Sequeira
D571,220 S 6/2008 Pagliacci
D571,667 S 6/2008 Bourne
D582,779 S 12/2008 Bourne
D604,169 S 11/2009 Melossi
D606,870 S 12/2009 Kaminski et al.
D607,730 S 1/2010 Lepoitevin
D618,552 S * 6/2010 Dabrowski D9/538
D621,711 S 8/2010 Williams
D624,422 S 9/2010 Caldwell et al.
D626,850 S * 11/2010 Zoppas D9/541
D651,901 S 1/2012 Miller et al.
D652,732 S 1/2012 Oommen et al.
D652,733 S 1/2012 Oommen et al.
D666,497 S 9/2012 Lepoitevin
D682,700 S 5/2013 White et al.

(Continued)

Primary Examiner — Derrick Holland
Assistant Examiner — Janice Patyk
(74) *Attorney, Agent, or Firm* — Finnegan, Henderson,
Farabow, Garrett & Dunner LLP

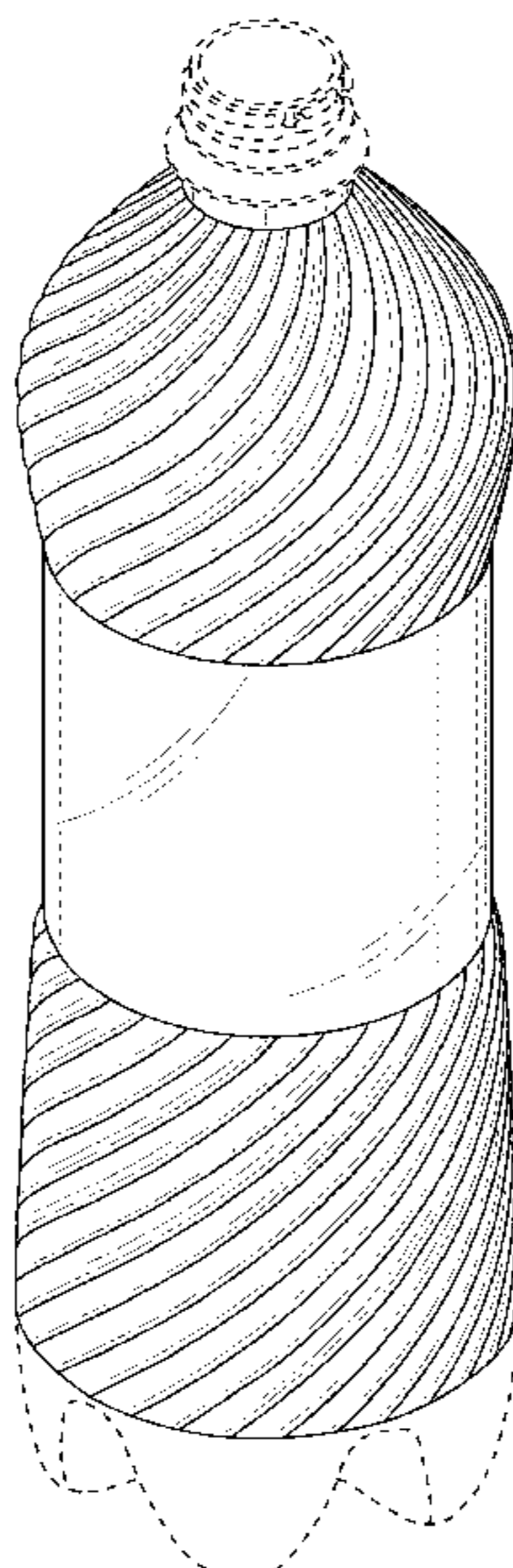
(57) **CLAIM**

The ornamental design for a bottle, as shown and described.

DESCRIPTION

FIG. 1 is a top front perspective view of a bottle showing our new design;
FIG. 2 is a front elevation view thereof;
FIG. 3 is a rear elevation view thereof;
FIG. 4 is a left side elevation view thereof;
FIG. 5 is a right side elevation view thereof;
FIG. 6 is a top plan view thereof; and,
FIG. 7 is a bottom plan view thereof.
The broken lines in the figures illustrate the portions of the design that form no part of the claimed design.

1 Claim, 6 Drawing Sheets



(56)

References Cited

U.S. PATENT DOCUMENTS

D689,773 S	9/2013	Nomura et al.	
D698,656 S	2/2014	Fleischhacker et al.	
D699,114 S	2/2014	Fleischhacker et al.	
D699,580 S	2/2014	Eaton et al.	
D700,842 S	3/2014	Lo et al.	
D701,123 S	3/2014	Lo et al.	
D735,580 S	8/2015	Bourne et al.	
2002/0070193 A1*	6/2002	Mero	B65D 1/0223 215/381
2013/0181004 A1*	7/2013	Jung	B65D 23/04 222/1

* cited by examiner

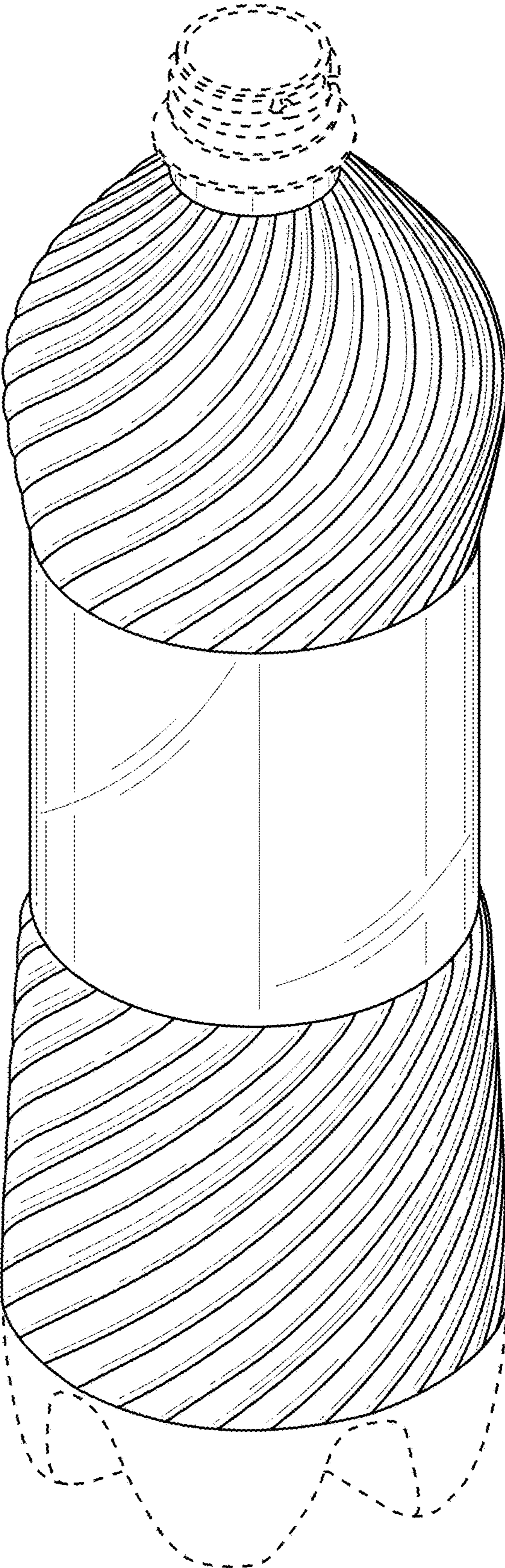


FIG. 1

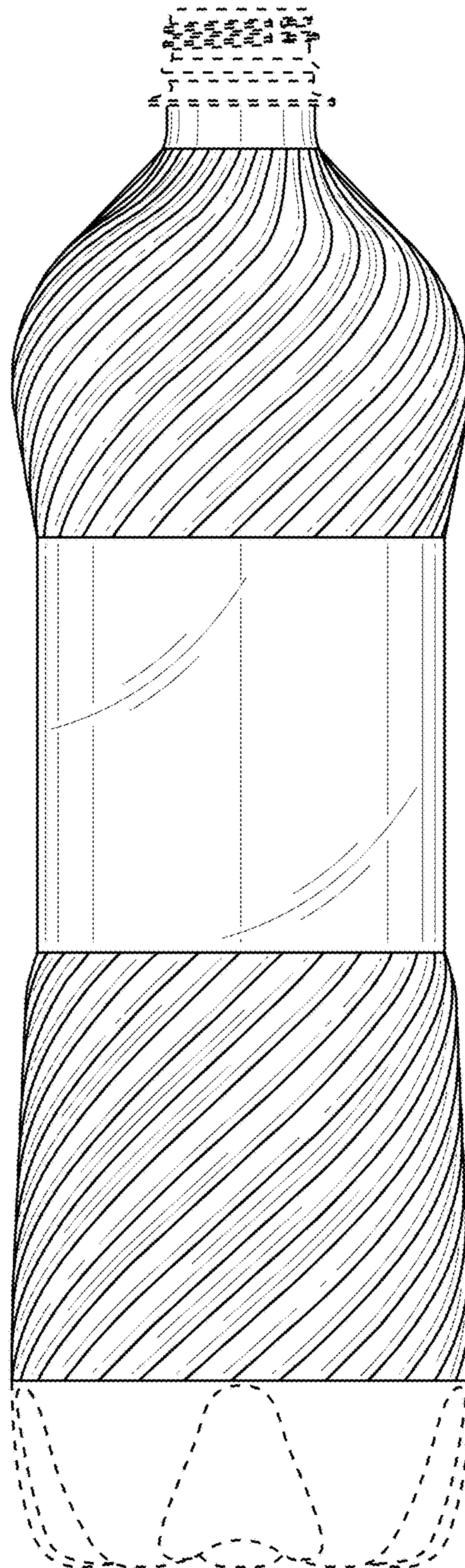


FIG. 2

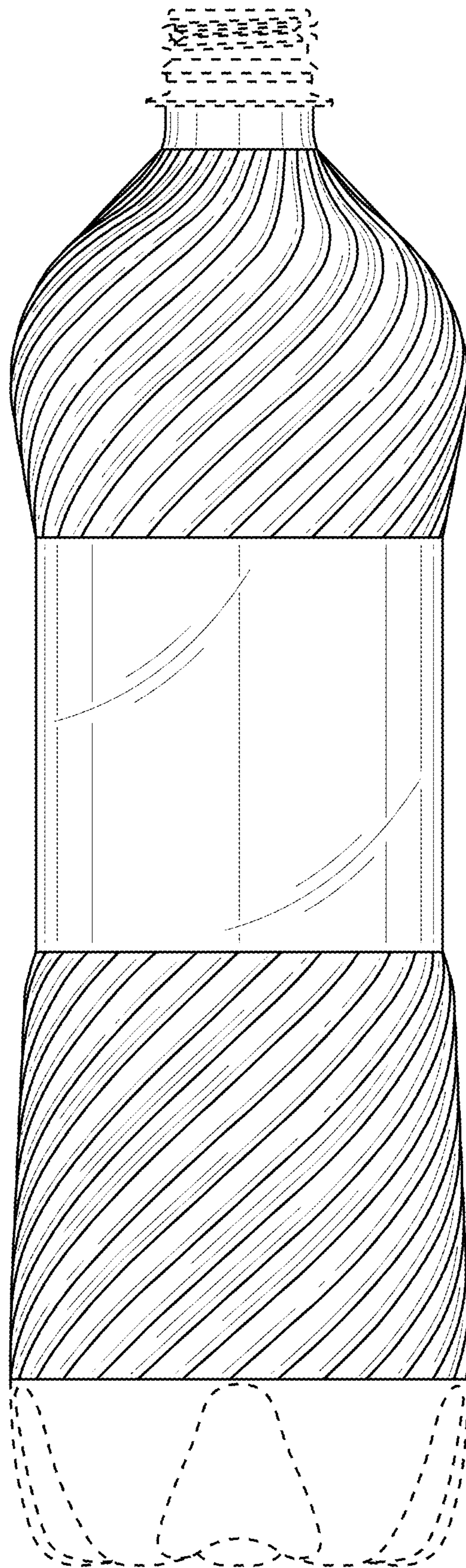


FIG. 3

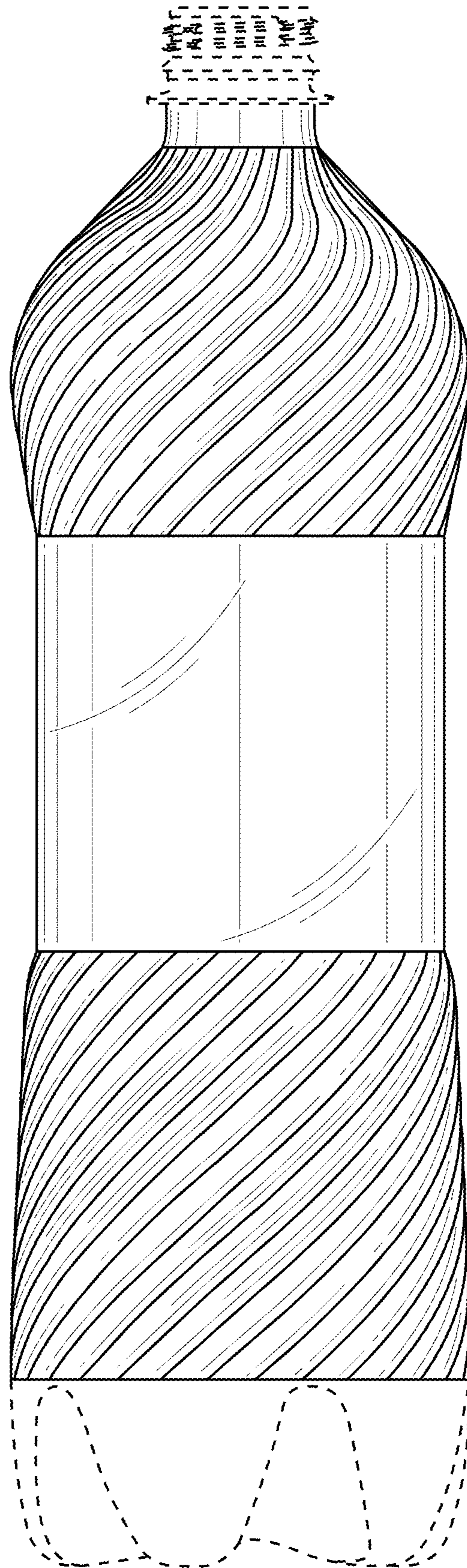


FIG. 4

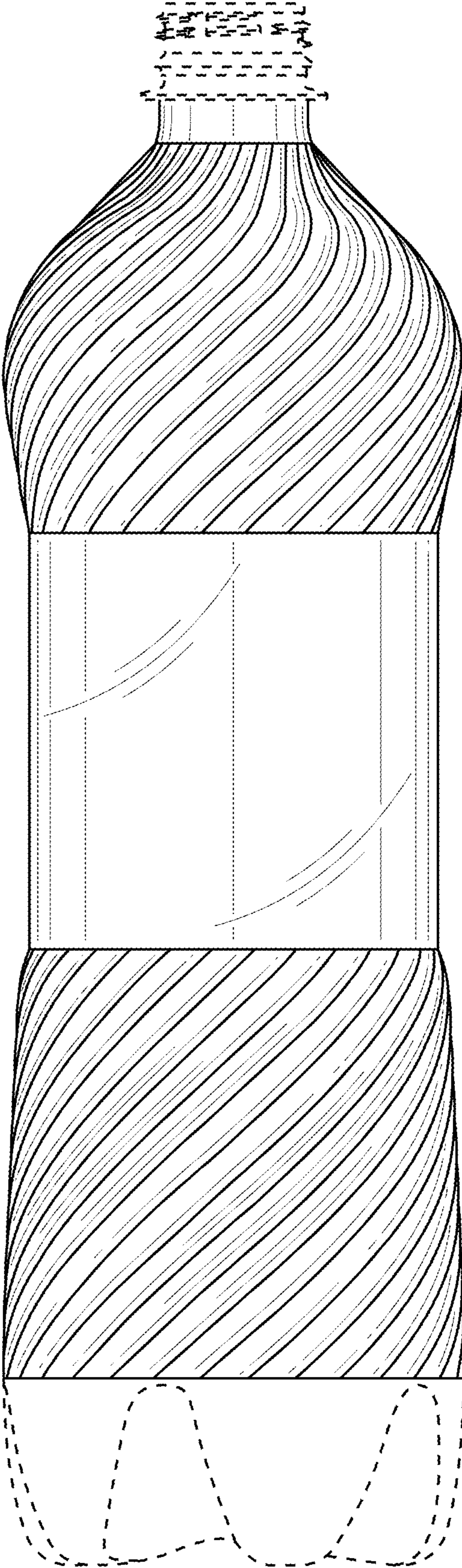


FIG. 5

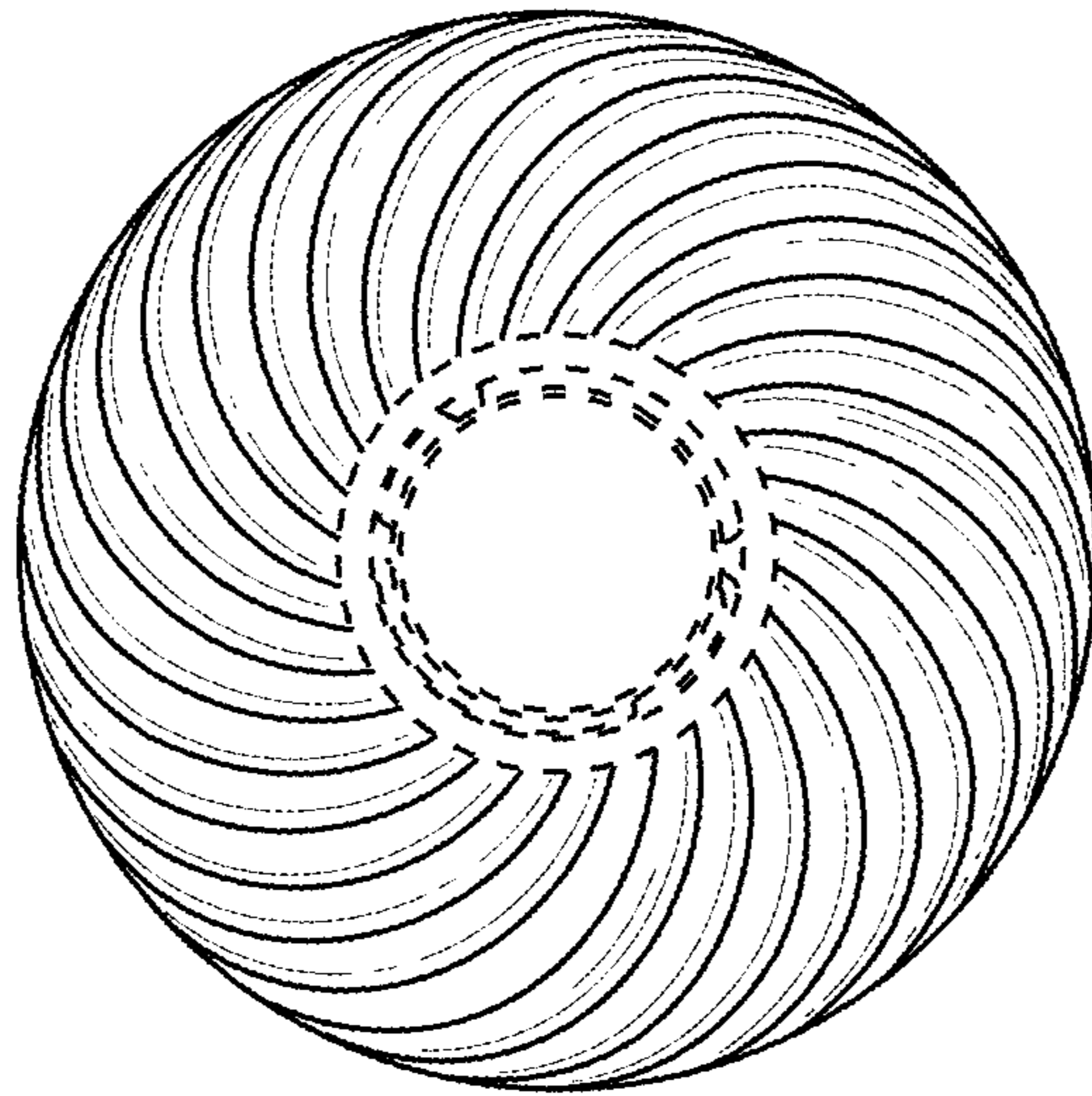


FIG. 6

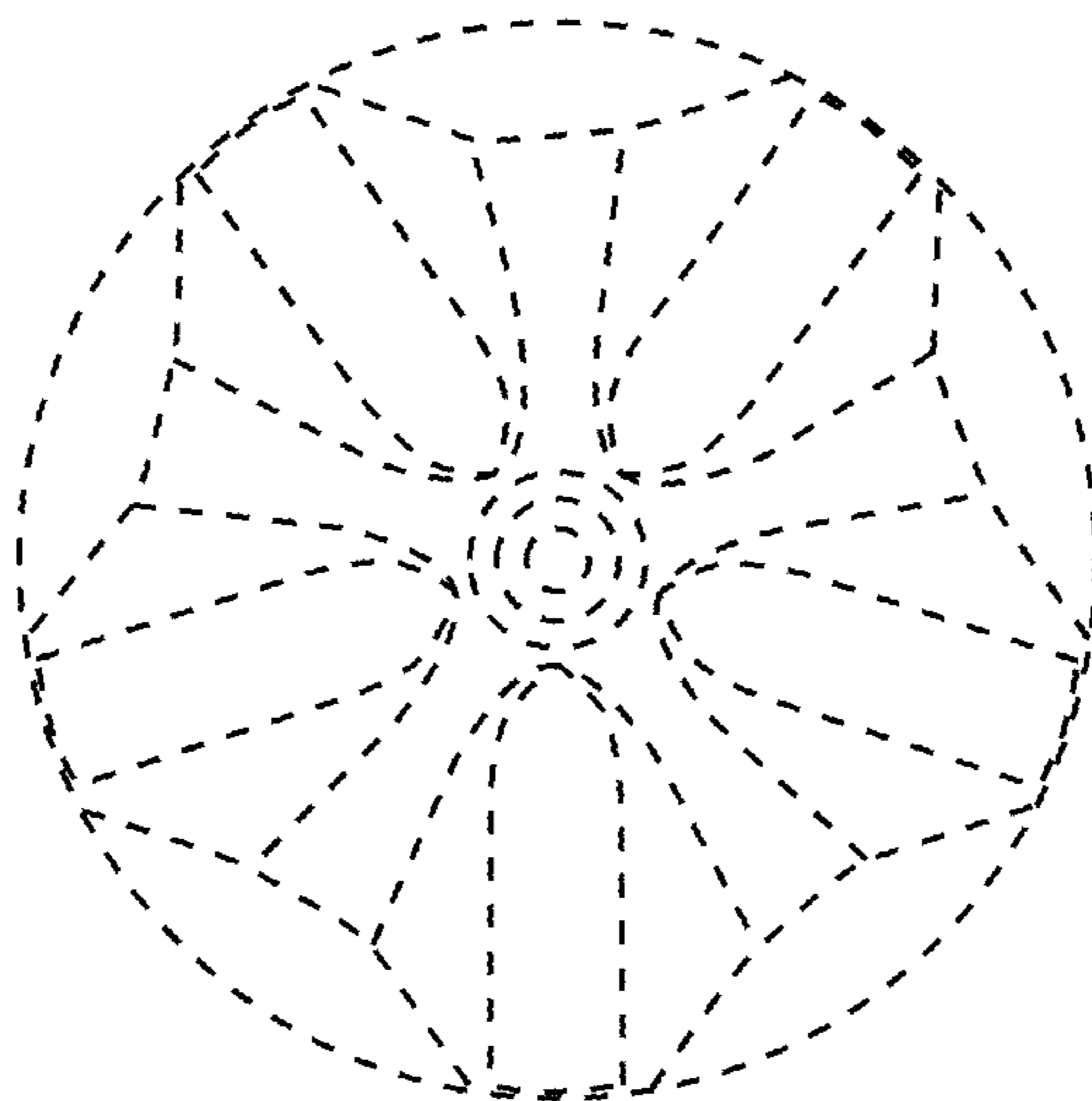


FIG. 7