



US00D804313S

(12) **United States Design Patent** (10) **Patent No.:** **US D804,313 S**
Reches et al. (45) **Date of Patent:** **** Dec. 5, 2017**

- (54) **RESIN CONTAINER**
 (71) Applicant: **Formlabs, Inc.**, Somerville, MA (US)
 (72) Inventors: **Yoav Reches**, Cambridge, MA (US);
Caitlin Reyda, Cambridge, MA (US)
 (73) Assignee: **Formlabs, Inc.**, Somerville, MA (US)
 (**) Term: **15 Years**
 (21) Appl. No.: **29/537,770**
 (22) Filed: **Aug. 28, 2015**
 (51) **LOC (10) Cl.** **09-03**
 (52) **U.S. Cl.**
 USPC **D9/522**
 (58) **Field of Classification Search**
 USPC D9/516, 522, 530, 537, 540, 548, 549,
 D9/550, 552, 557, 575; 132/293;
 215/381-385, 396, 398; 220/296, 288,
 220/300, 669, 675
 CPC B65D 1/00; B65D 1/02; B65D 1/0223;
 B65D 1/0246; B65D 41/00; B65D 41/02;
 B65D 41/04; B65D 2501/00; B65D
 2501/0009
 See application file for complete search history.

(56) **References Cited**

U.S. PATENT DOCUMENTS

D224,616 S *	8/1972	Schieser	D9/527
D228,124 S *	8/1973	Yamakawa	D9/523
D427,062 S *	6/2000	Alvarez	D23/211.1
D478,009 S *	8/2003	Kleckauskas	D9/531
D517,413 S *	3/2006	Murphy	D9/522
D636,056 S *	4/2011	Pritchard	D23/211.1
D646,974 S *	10/2011	Latour	D9/452
D673,855 S *	1/2013	Burgeson	D9/522
D705,069 S *	5/2014	Crisanti	D9/522
D706,645 S *	6/2014	Jennings	D9/535
2009/0090647 A1 *	4/2009	Panchal	B65D 21/0204 206/504

* cited by examiner

Primary Examiner — Derrick Holland
Assistant Examiner — Janice Lim
 (74) *Attorney, Agent, or Firm* — Wolfm Greenfield &
 Sacks, P.C.

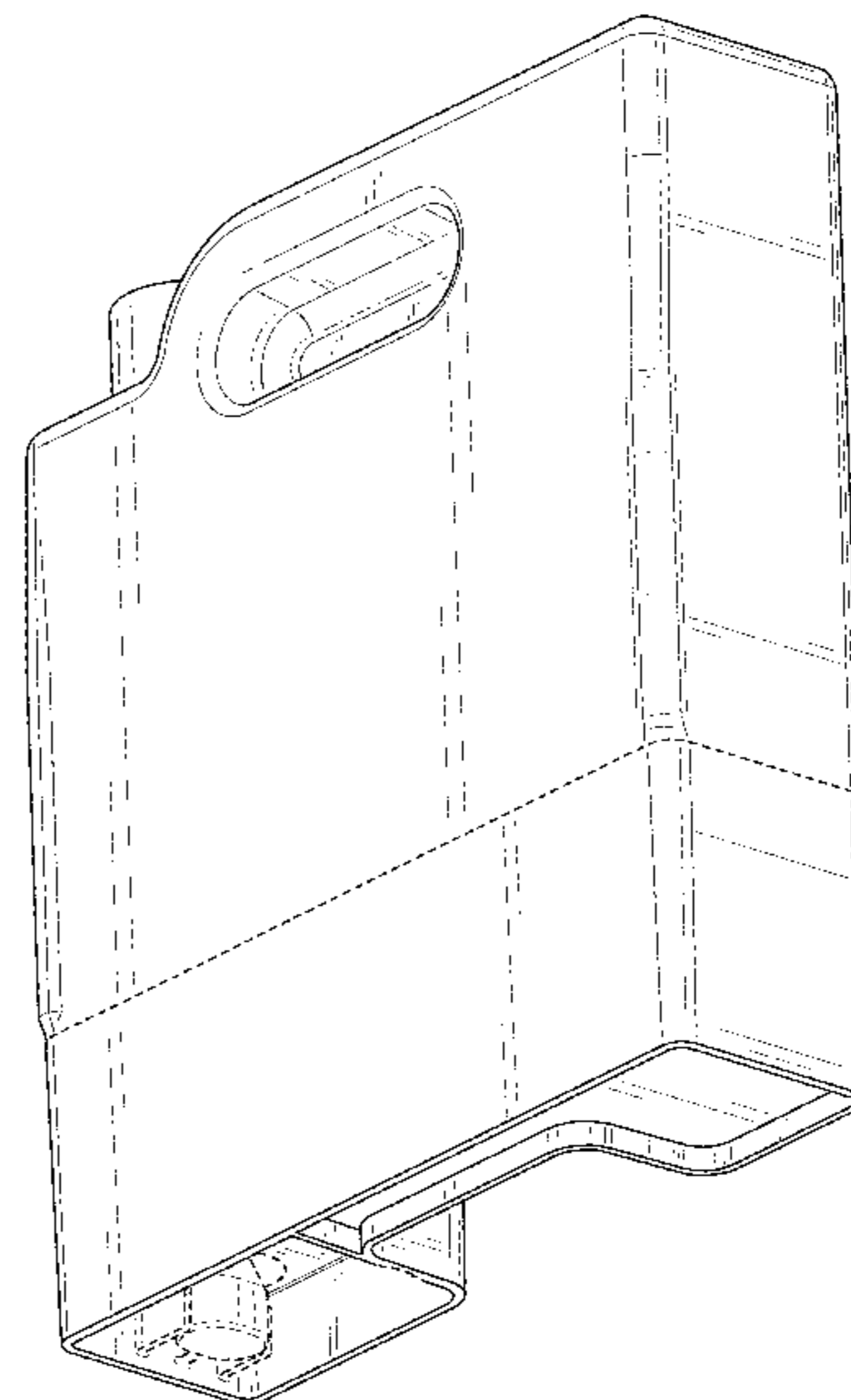
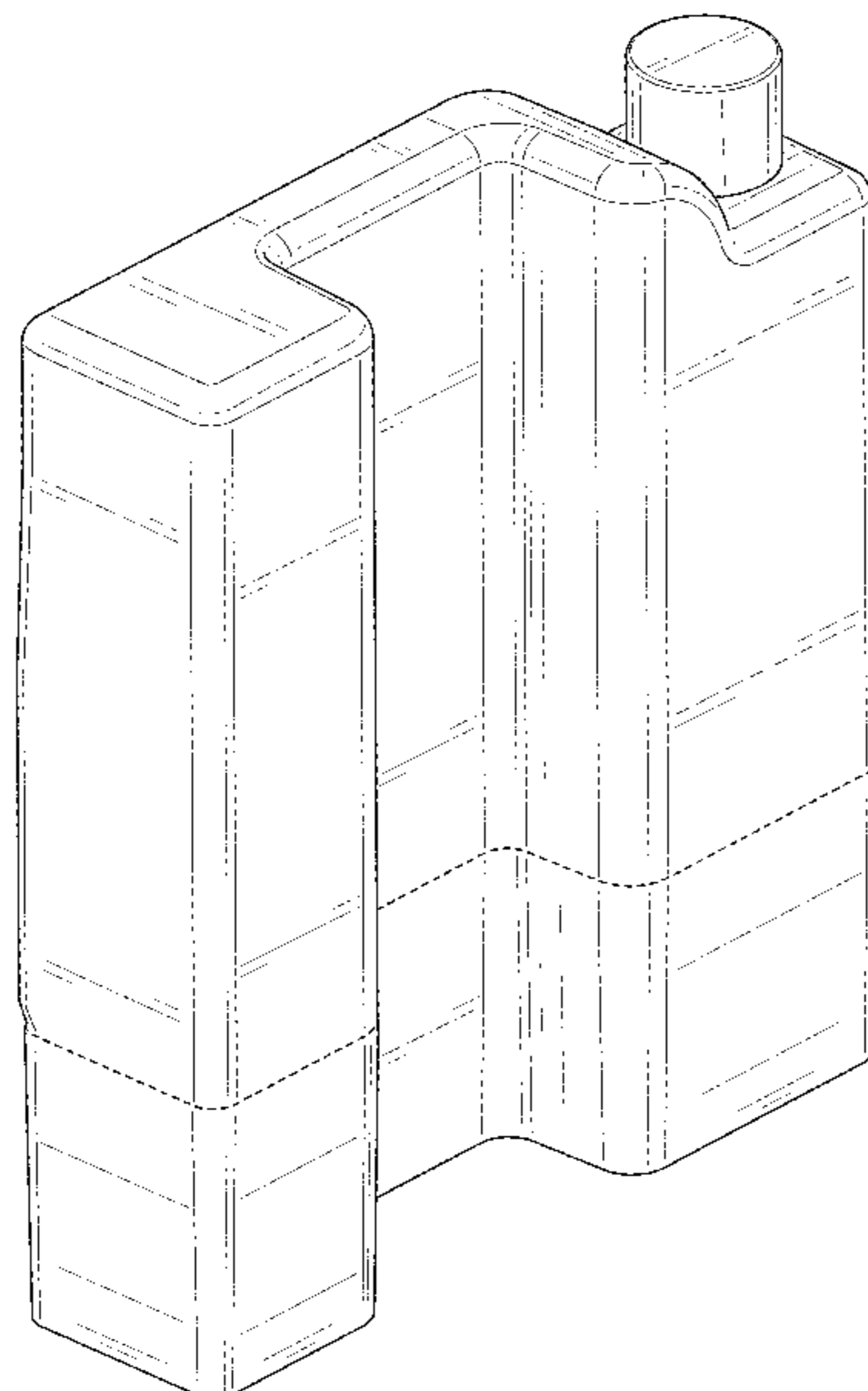
(57) **CLAIM**

The ornamental design for a resin container, substantially as shown and described.

DESCRIPTION

FIG. 1 is a top, rear, right perspective view of a first embodiment of a resin container showing our new design; FIG. 2 is a bottom, front, right perspective view thereof; FIG. 3 is a left-side view thereof; FIG. 4 is a right-side view thereof; FIG. 5 is a front view thereof; FIG. 6 is a rear view thereof; FIG. 7 is a top view thereof; FIG. 8 is a bottom view thereof; FIG. 9 is a top, rear, right perspective view of a second embodiment of a resin container showing our new design; FIG. 10 is a bottom, front, right perspective view thereof; FIG. 11 is a left-side view thereof; FIG. 12 is a right-side view thereof; FIG. 13 is a front view thereof; FIG. 14 is a rear view thereof; FIG. 15 is a top view thereof; and, FIG. 16 is a bottom view thereof. The broken lines in the figures illustrate the portions of the design that form no part of the claimed design. The dashed broken lines on the surface in FIGS. 1-6 and 9-14 represent unclaimed seam lines and form no part thereof. None of the broken lines form any part of the claimed design.

1 Claim, 12 Drawing Sheets



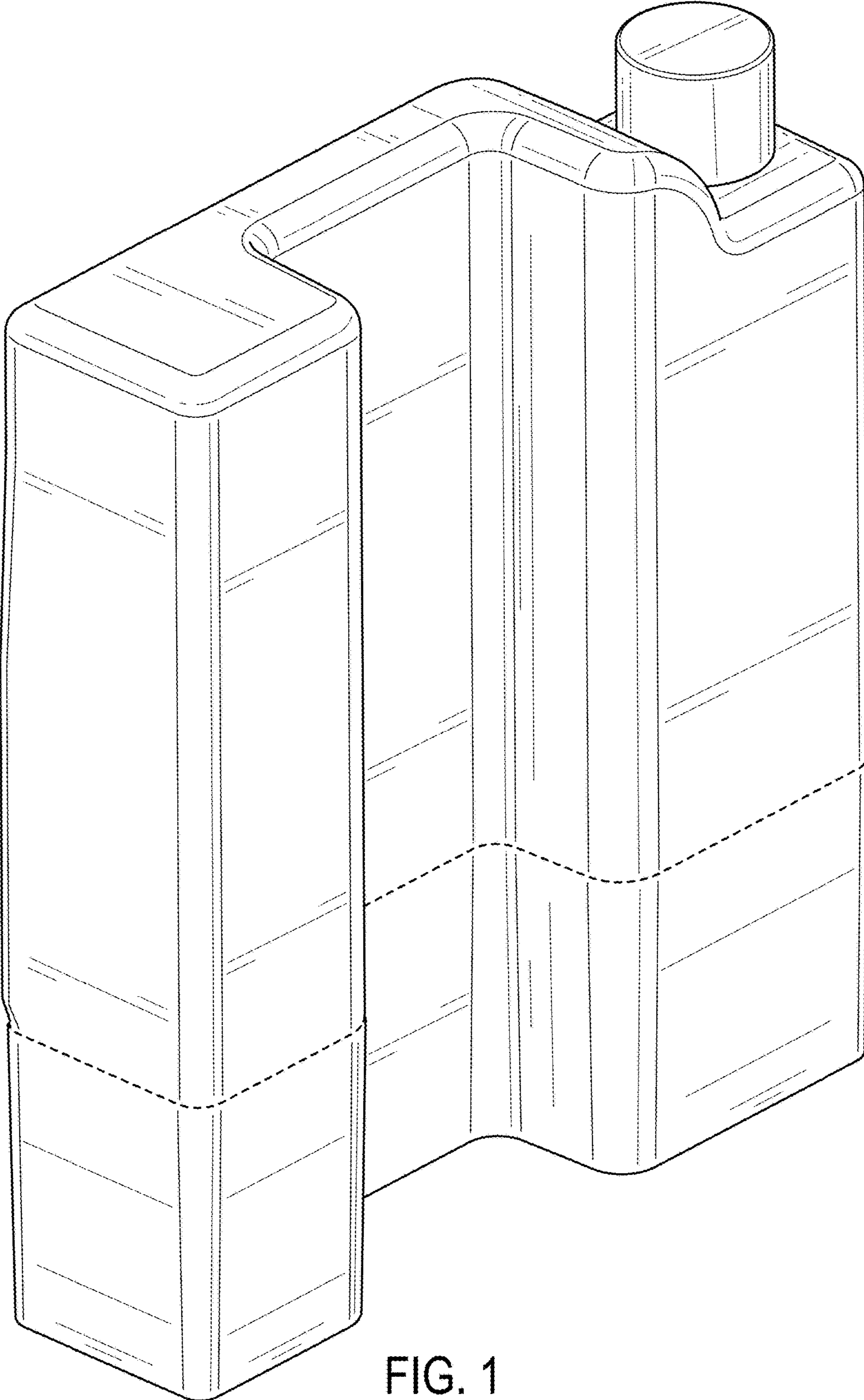


FIG. 1

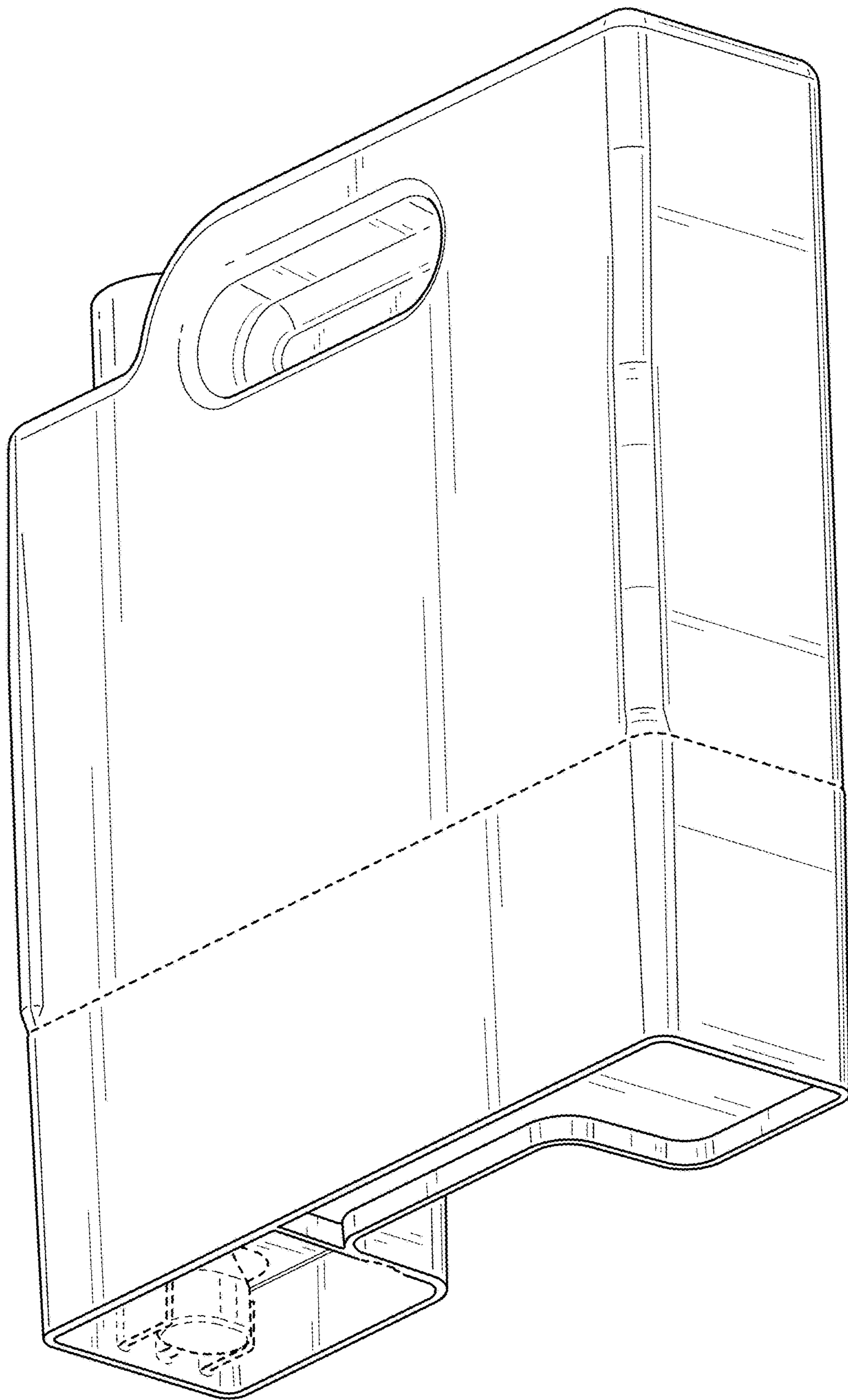


FIG. 2

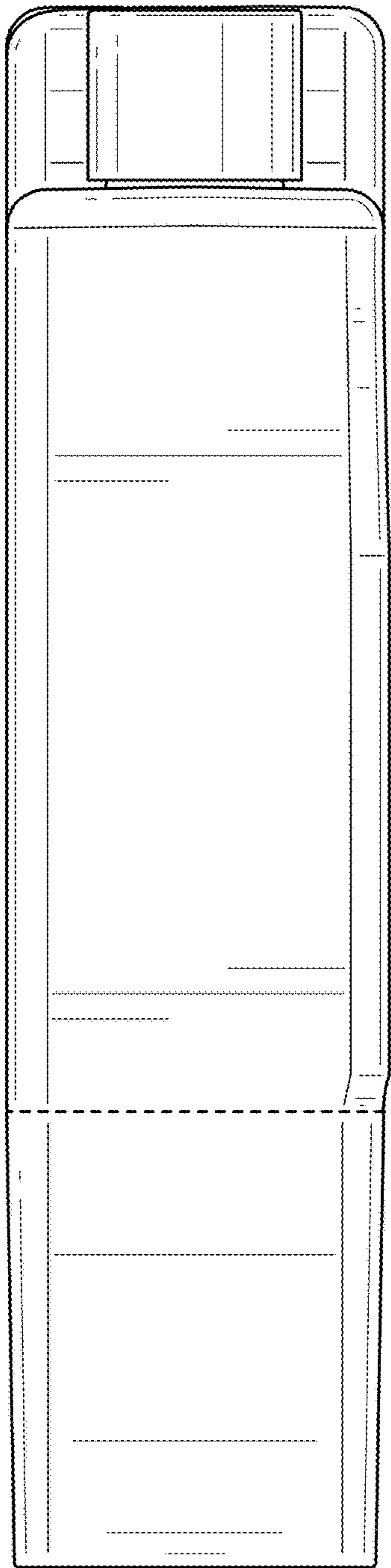


FIG. 3

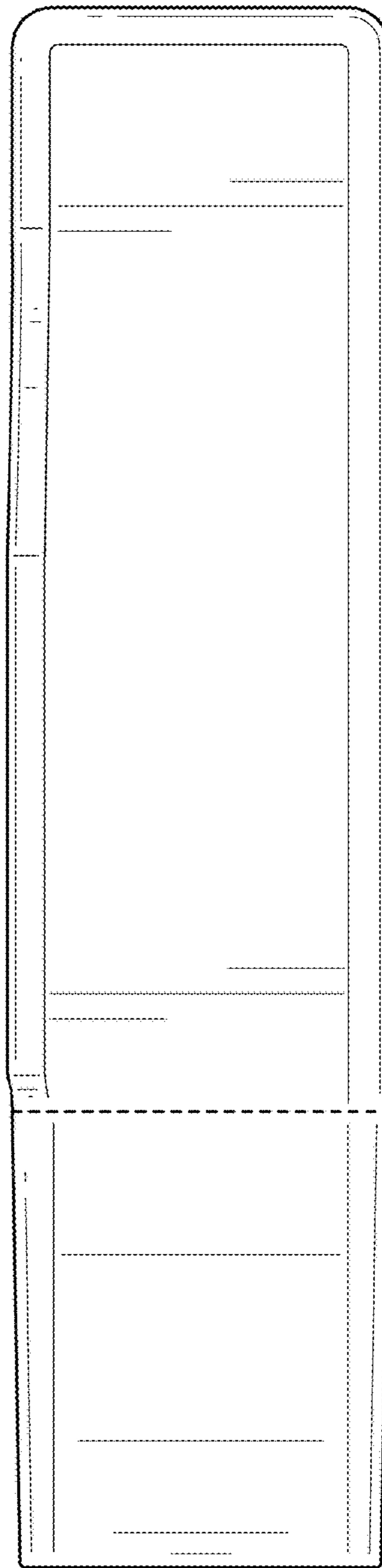


FIG. 4

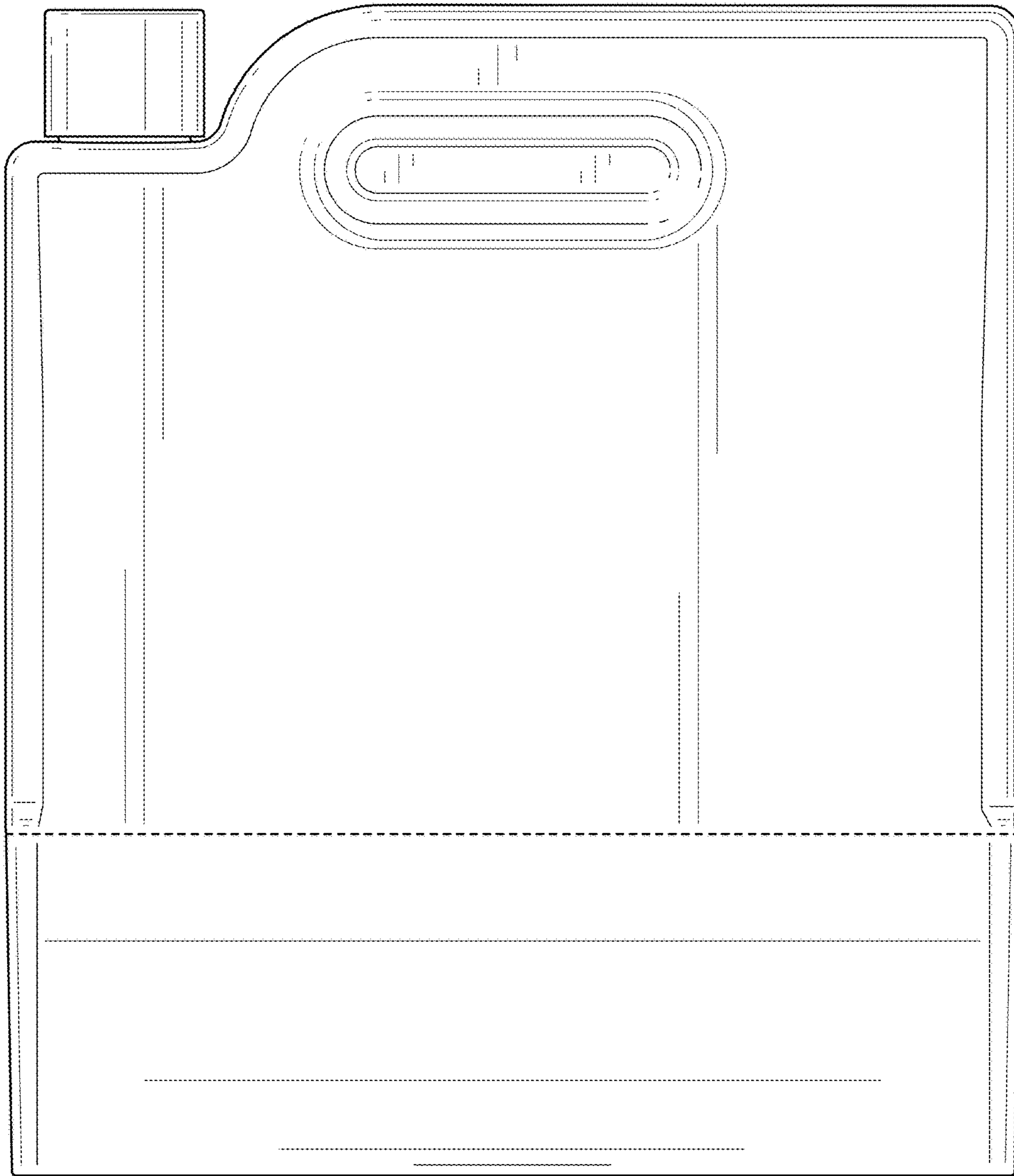


FIG. 5

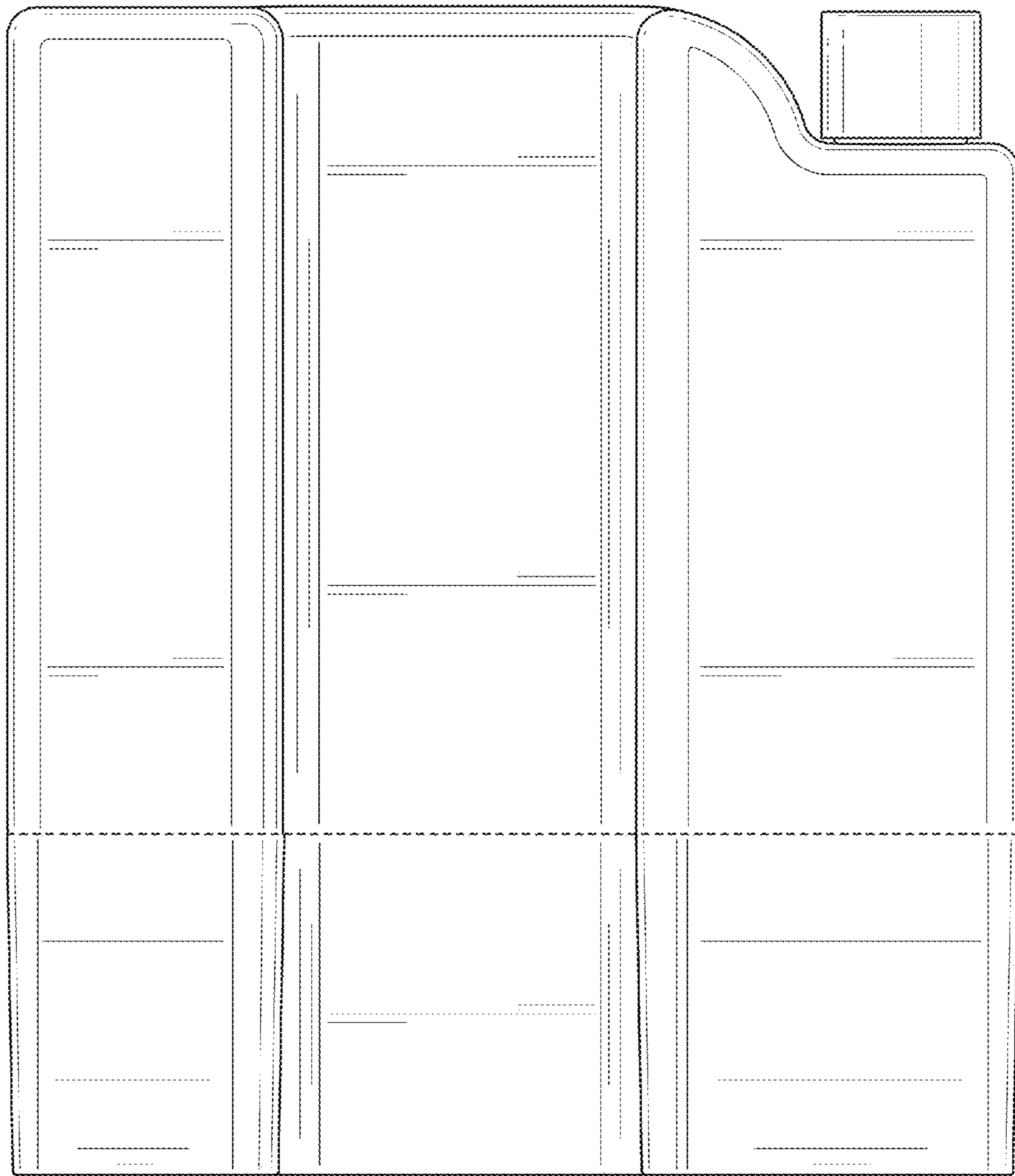


FIG. 6

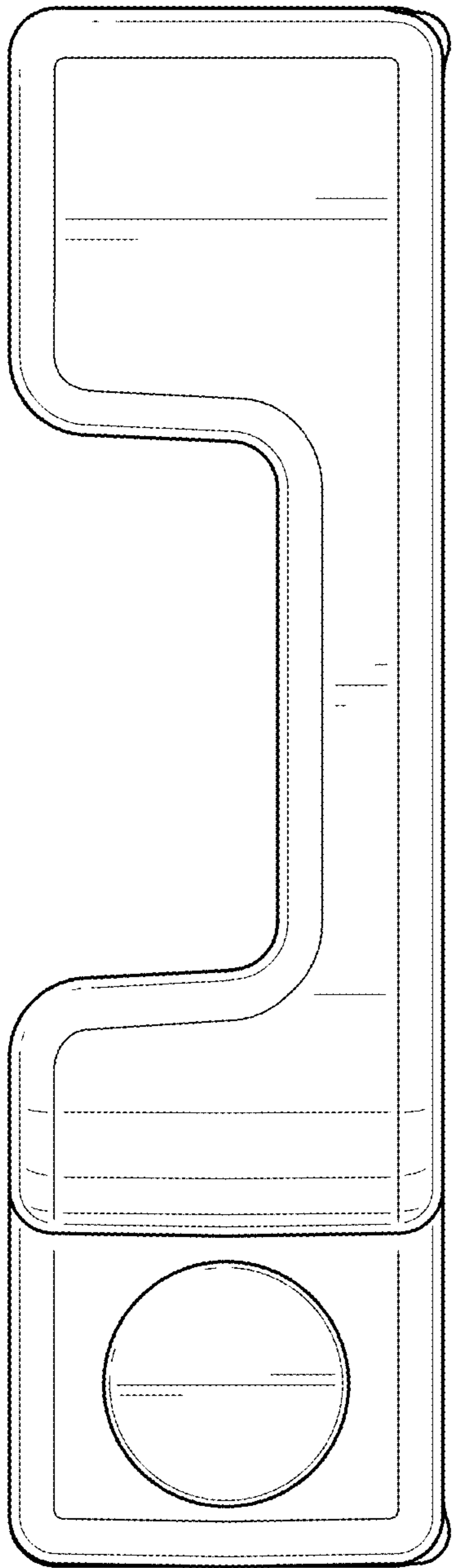


FIG. 7

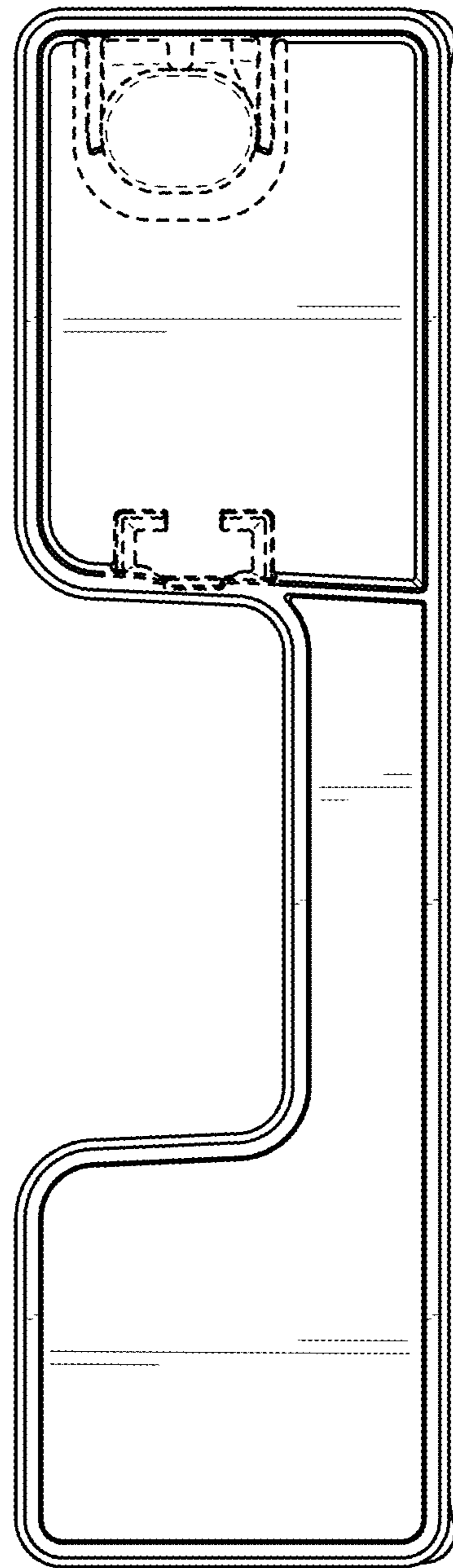


FIG. 8

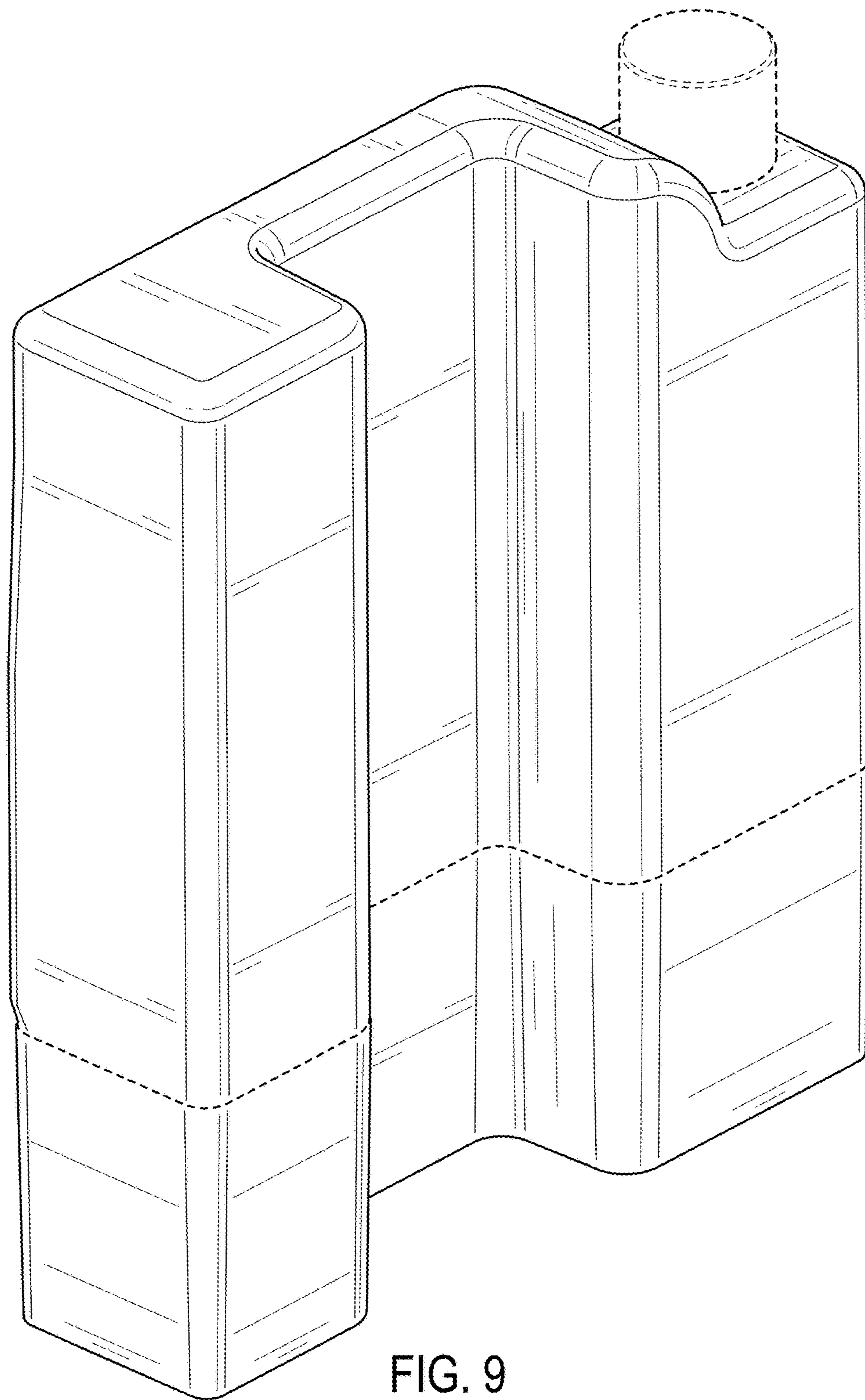


FIG. 9

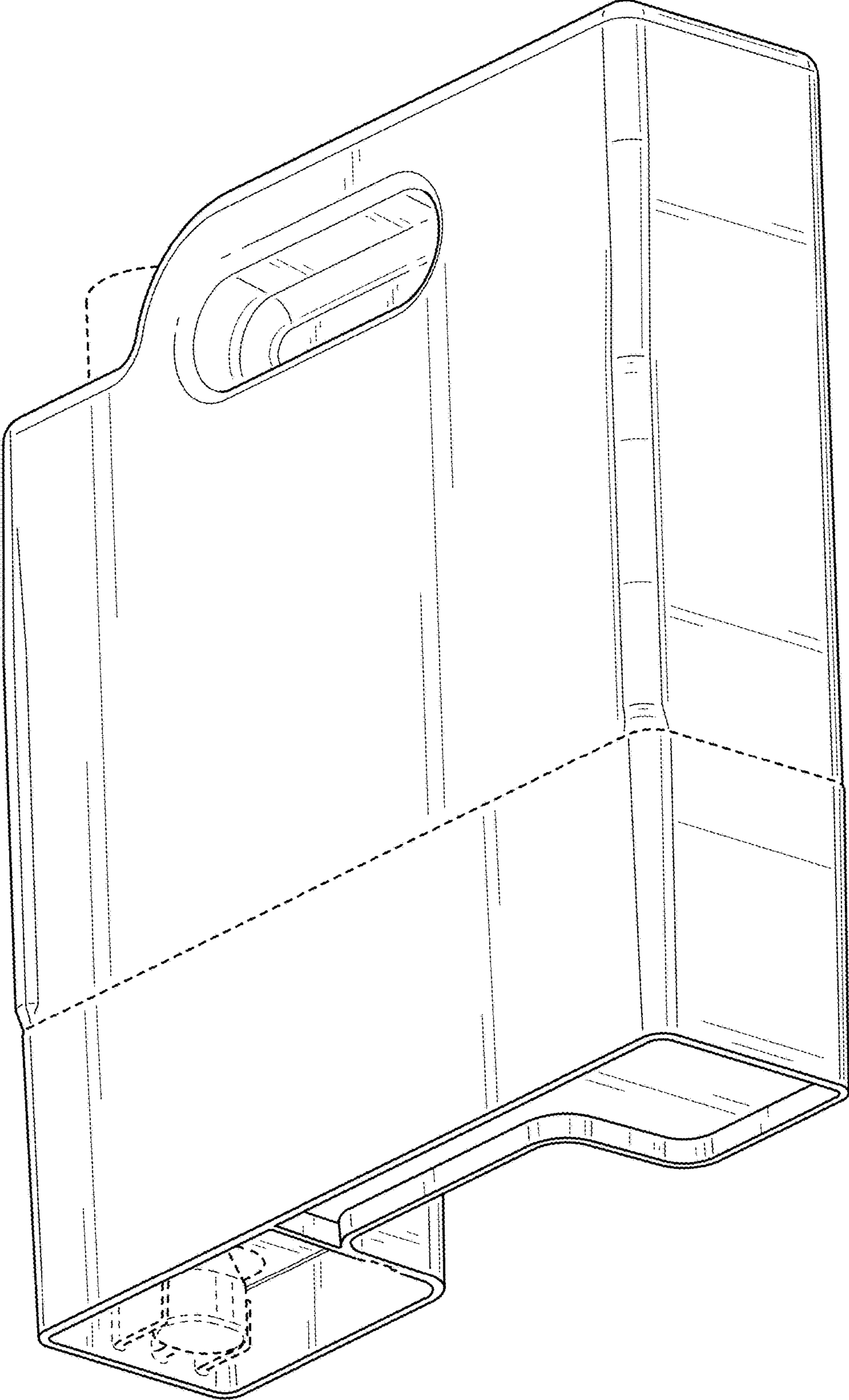


FIG. 10

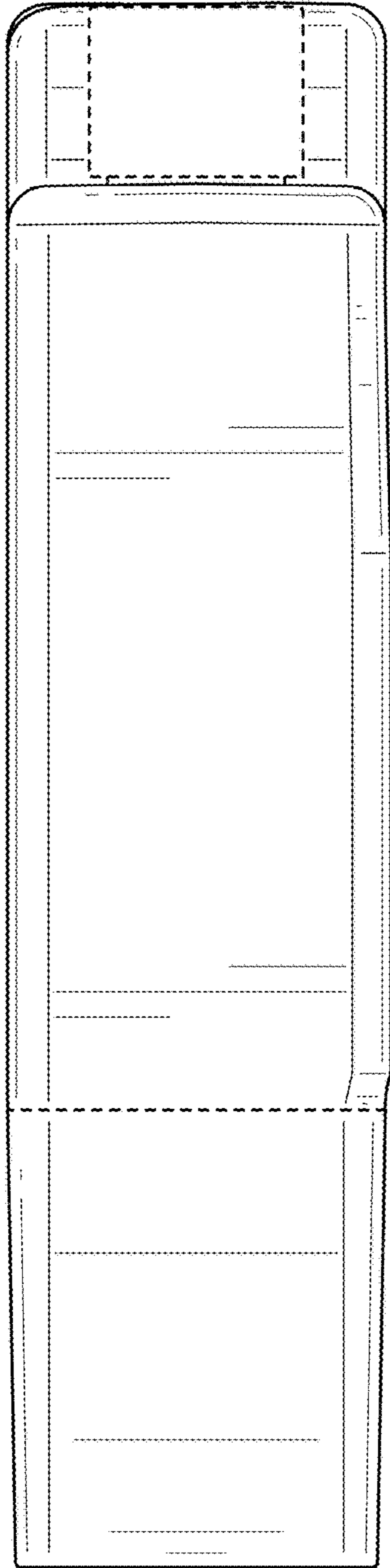


FIG. 11

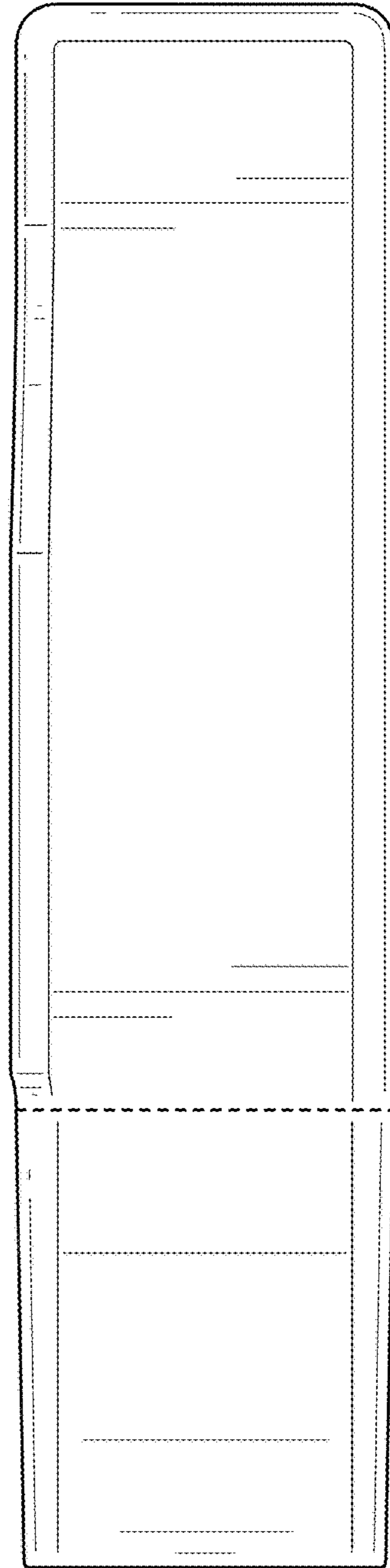


FIG. 12

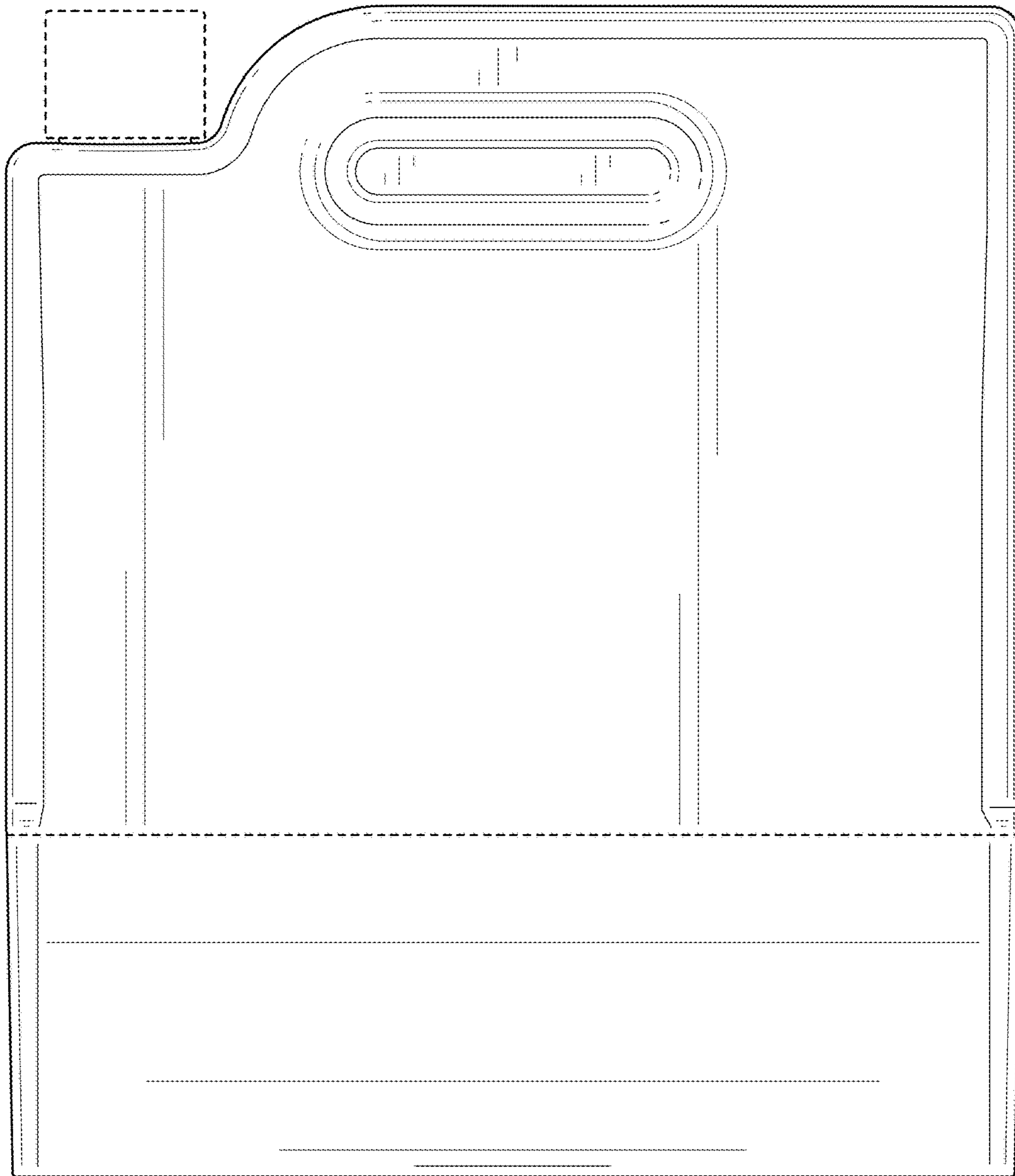


FIG. 13

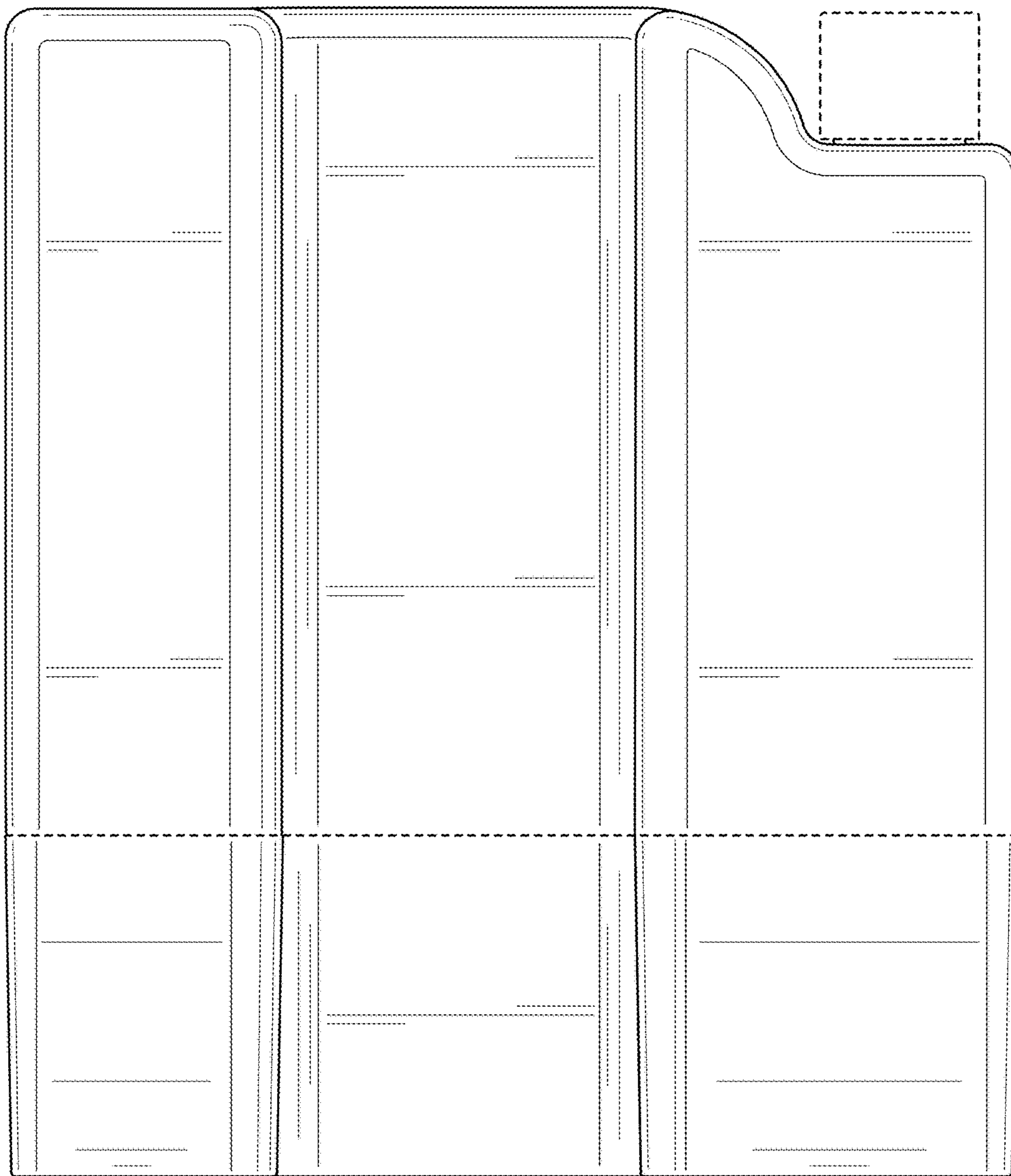


FIG. 14

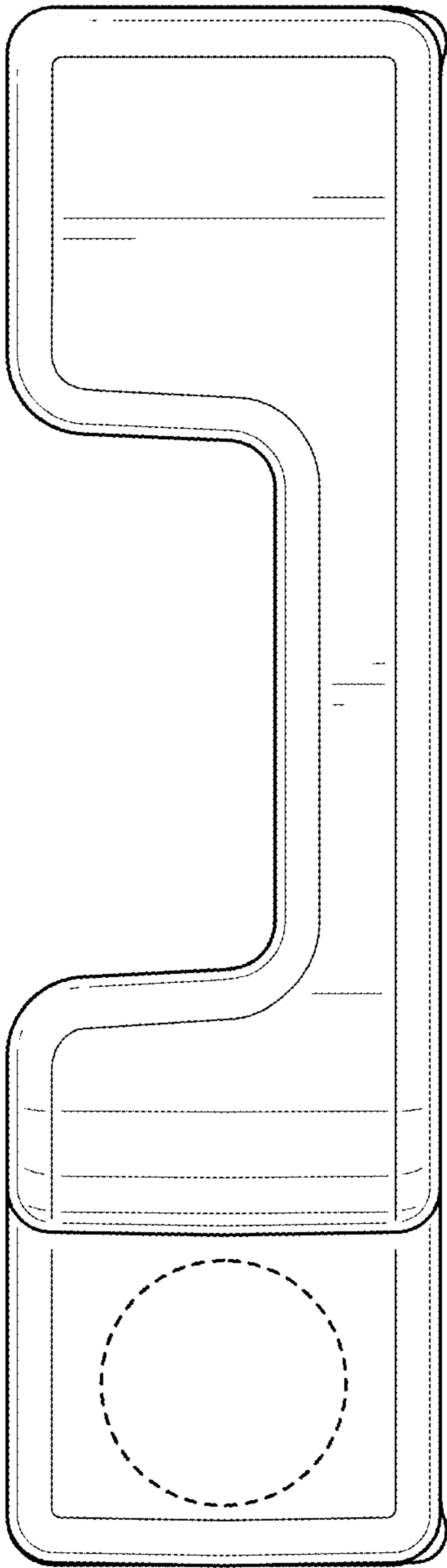


FIG. 15

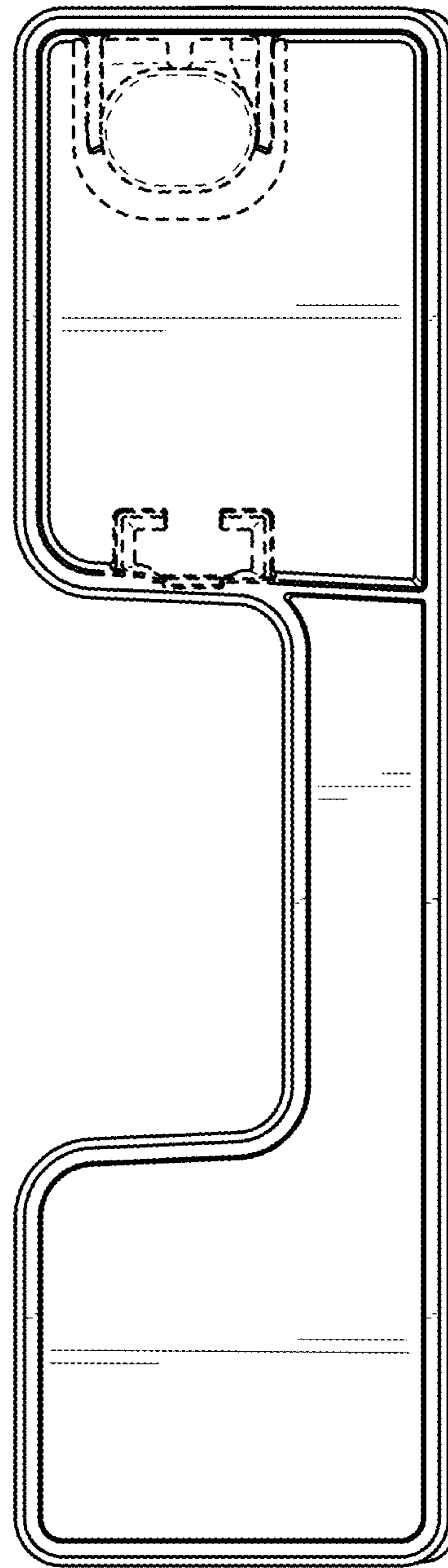


FIG. 16