



US00D804312S

(12) **United States Design Patent**
Thivolet

(10) **Patent No.:** **US D804,312 S**

(45) **Date of Patent:** **** Dec. 5, 2017**

(54) **BOTTLE**

(71) Applicant: **Societe des Produits Nestlé S.A.,**
Vevey (CH)

(72) Inventor: **Raphael Thivolet, Issy-les-Moulineaux**
(FR)

(73) Assignee: **SOCIETE DES PRODUITS NESTLE**
S.A., Vevey (CH)

(**) Term: **15 Years**

(21) Appl. No.: **29/565,038**

(22) Filed: **May 17, 2016**

(51) **LOC (10) Cl.** **09-01**

(52) **U.S. Cl.**

USPC **D9/520; D9/552; D9/575**

(58) **Field of Classification Search**

USPC D9/500, 502, 516, 520, 530, 544, 545,
D9/548, 549, 557, 558, 575, 715, 719;
D7/507-513, 598

CPC B65D 2543/00092; B65D 1/14; B65D
2517/0028; B65D 83/0805

See application file for complete search history.

(56) **References Cited**

U.S. PATENT DOCUMENTS

D412,118 S	*	7/1999	Rodea	D9/503
D484,810 S	*	1/2004	Rosen	B65D 1/0223
					D9/520
D502,648 S	*	3/2005	Osip	D9/522
D525,129 S	*	7/2006	Hutter	D9/502
D566,567 S	*	4/2008	Abadinsky	D9/543
D573,468 S	*	7/2008	Pickford	D9/502
D626,379 S	*	11/2010	Furlong	D7/509

D646,169 S	*	10/2011	Bretz	D9/520
D663,625 S	*	7/2012	Warneke	D9/539
D725,477 S	*	3/2015	Fugate	D9/522
D742,175 S	*	11/2015	Rashid	D7/510
D770,297 S	*	11/2016	Gregg	D9/503
D772,717 S	*	11/2016	Peacock	D9/516

* cited by examiner

Primary Examiner — Ian Simmons

Assistant Examiner — Keith Frank

(74) *Attorney, Agent, or Firm* — Finnegan, Henderson,
Farabow, Garrett & Dunner LLP

(57) **CLAIM**

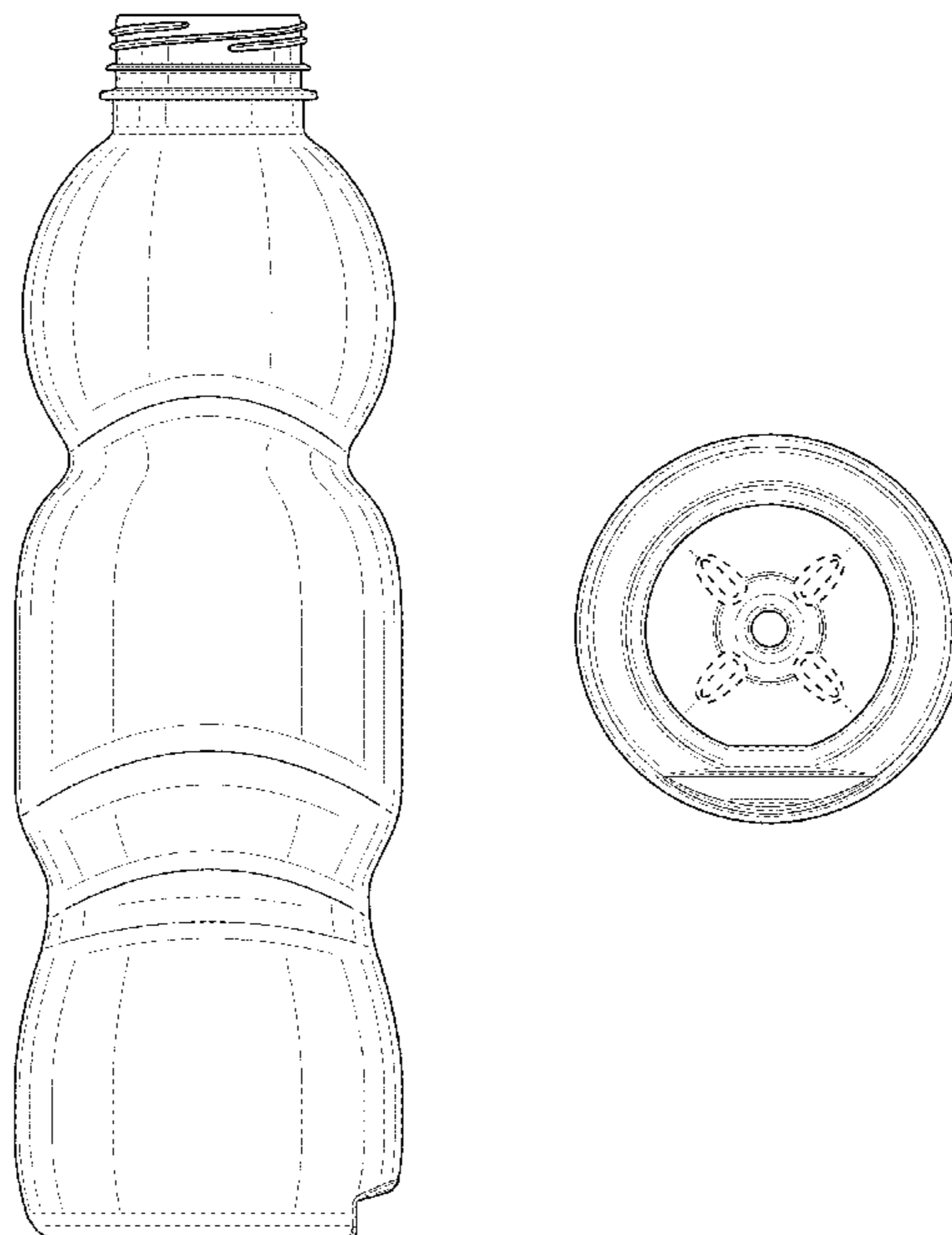
The ornamental design for a bottle, as shown and described.

DESCRIPTION

FIG. 1 is a top, left, front perspective view of a bottle showing my new design;
 FIG. 2 is a bottom, left, front perspective view thereof;
 FIG. 3 is a rear elevation view thereof;
 FIG. 4 is a front elevation view thereof;
 FIG. 5 is a left side view thereof;
 FIG. 6 is a right side view thereof;
 FIG. 7 is a top plan view thereof;
 FIG. 8 is a bottom view thereof; and,
 FIG. 9 is a cross sectional view, shown in the direction of line 9-9 of FIG. 2.

The evenly dashed broken lines in the drawings illustrate the portions of the bottle that form no part of the claimed design. The dot-dash broken lines define the boundary of the claimed design and form no part of the claimed design.

1 Claim, 6 Drawing Sheets



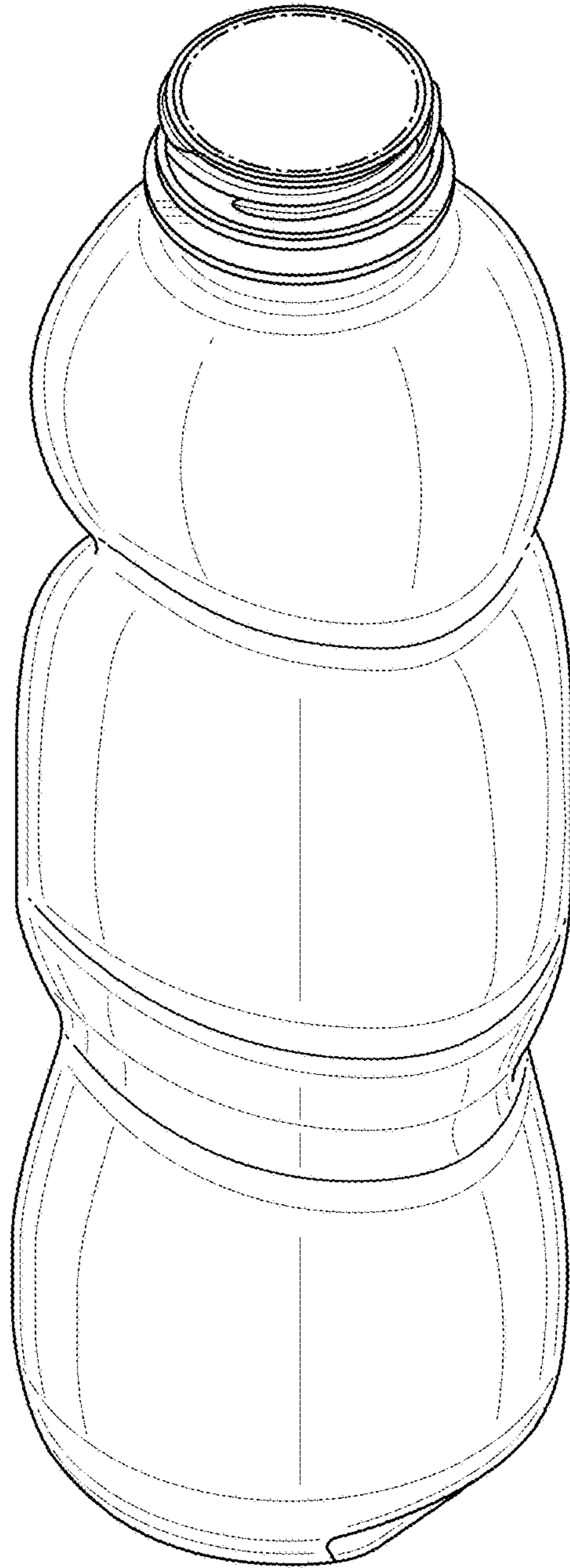


FIG. 1

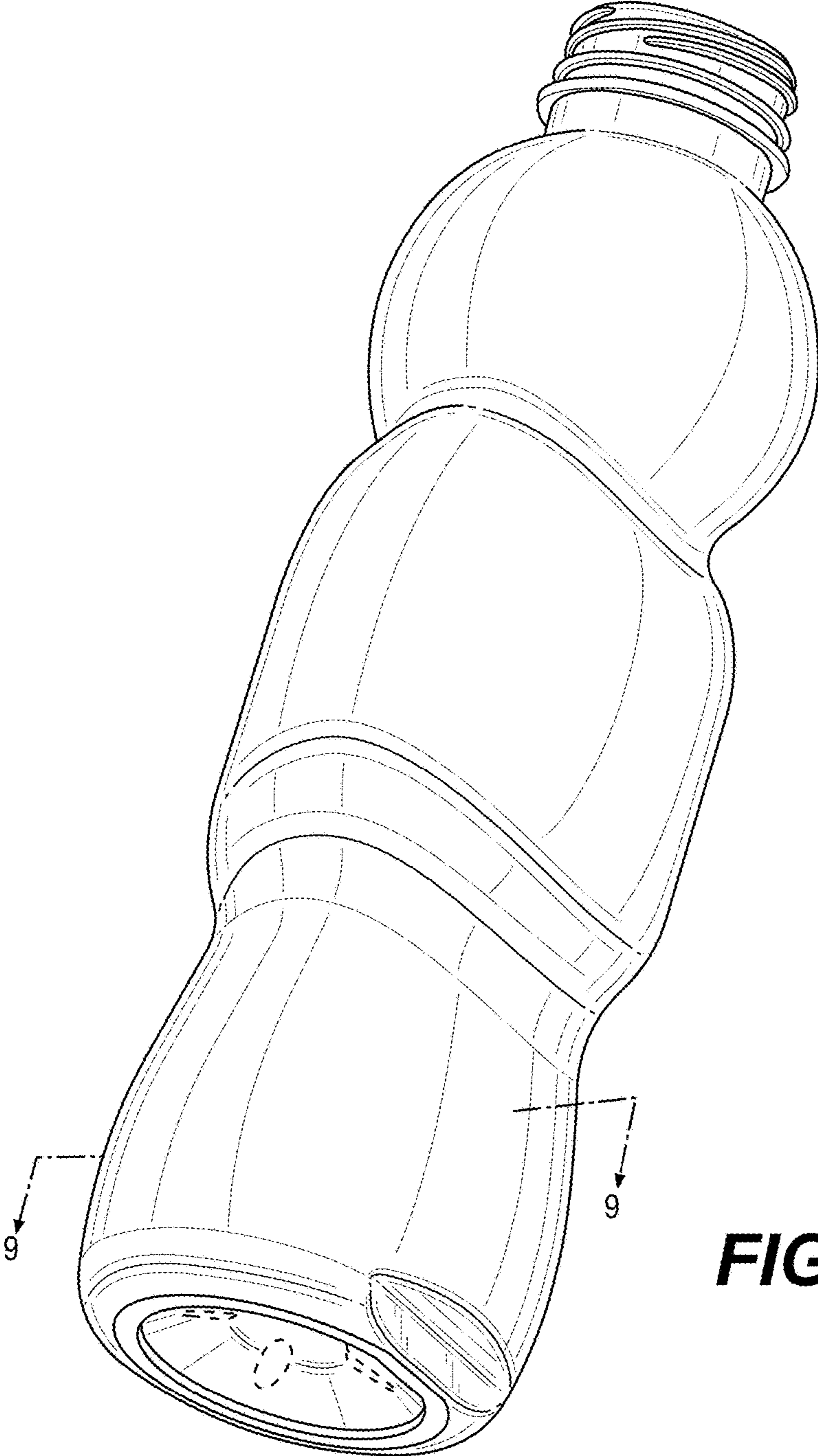


FIG. 2

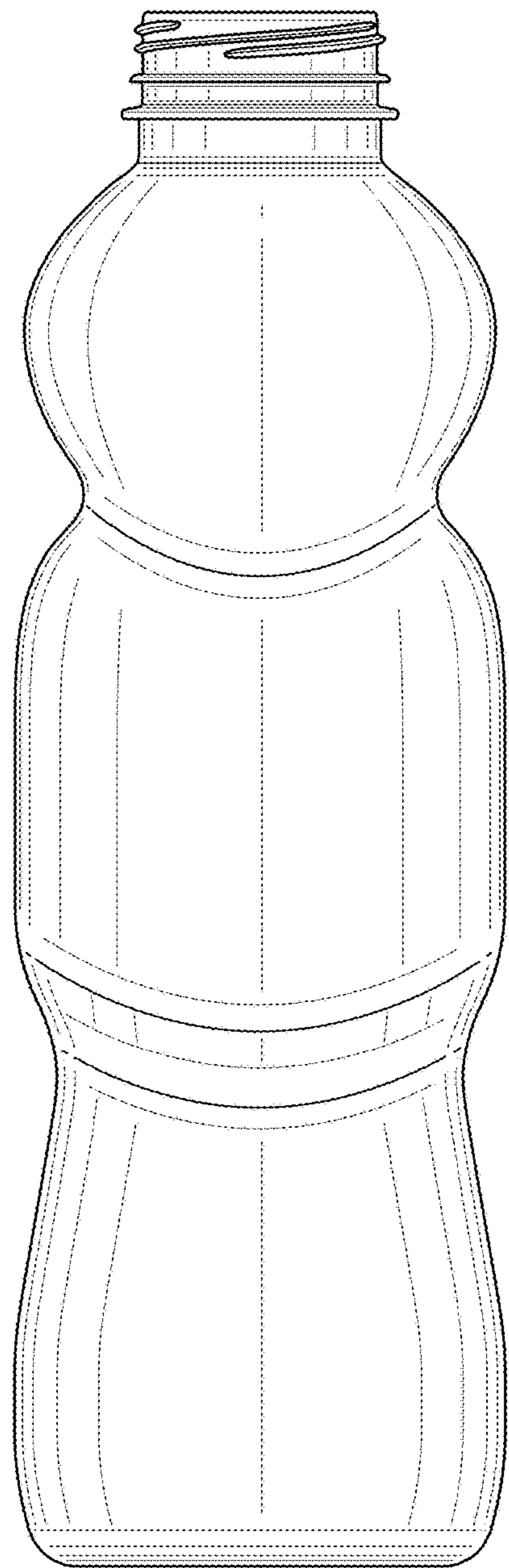


FIG. 3

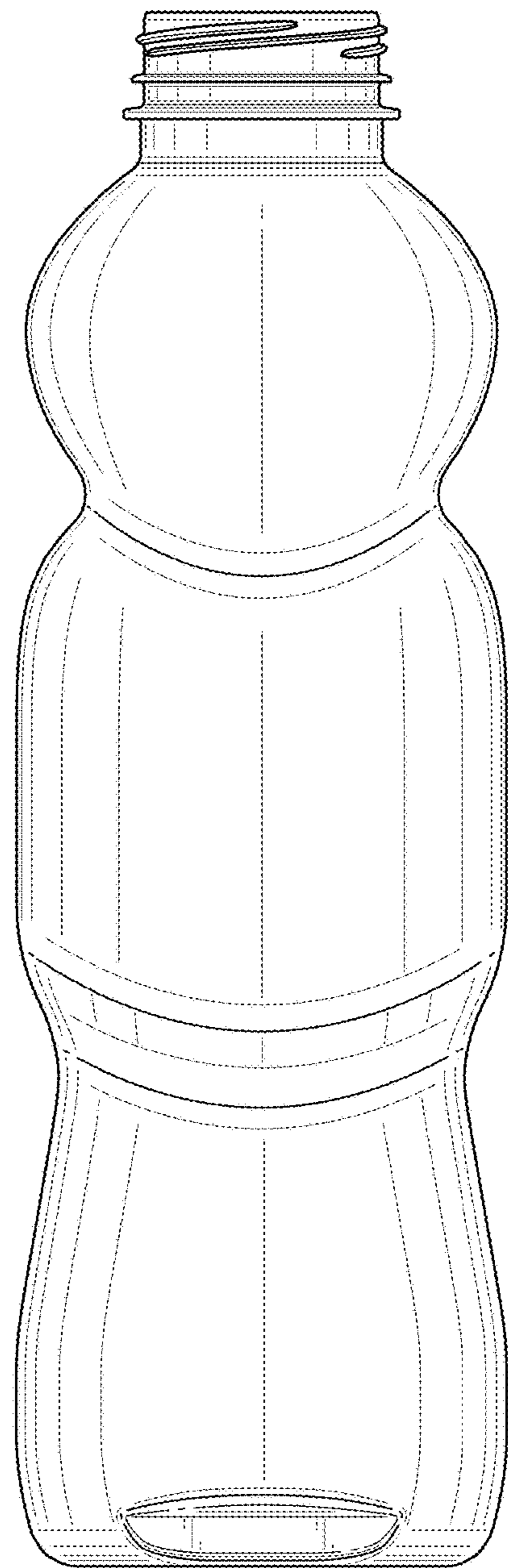


FIG. 4

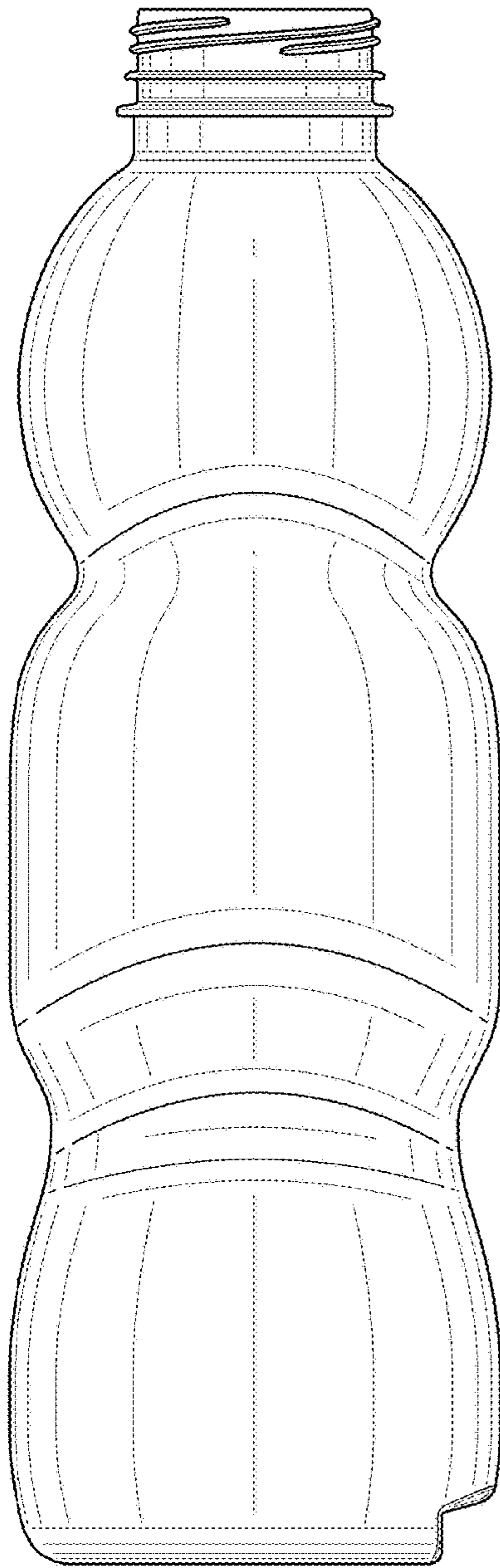


FIG. 5

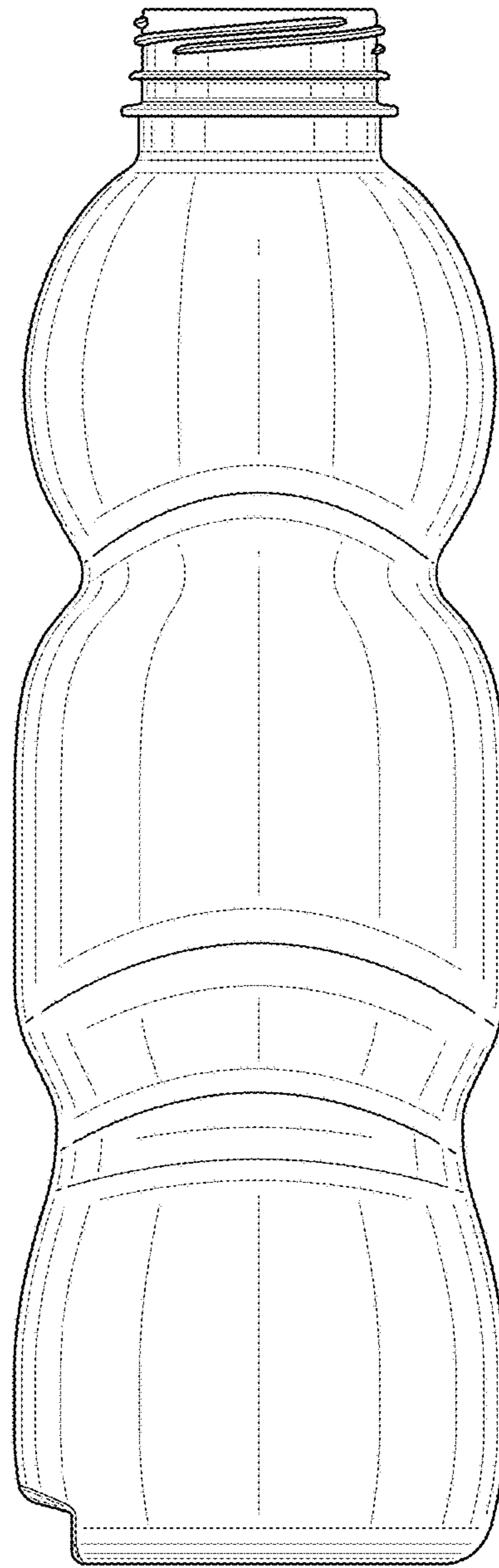


FIG. 6

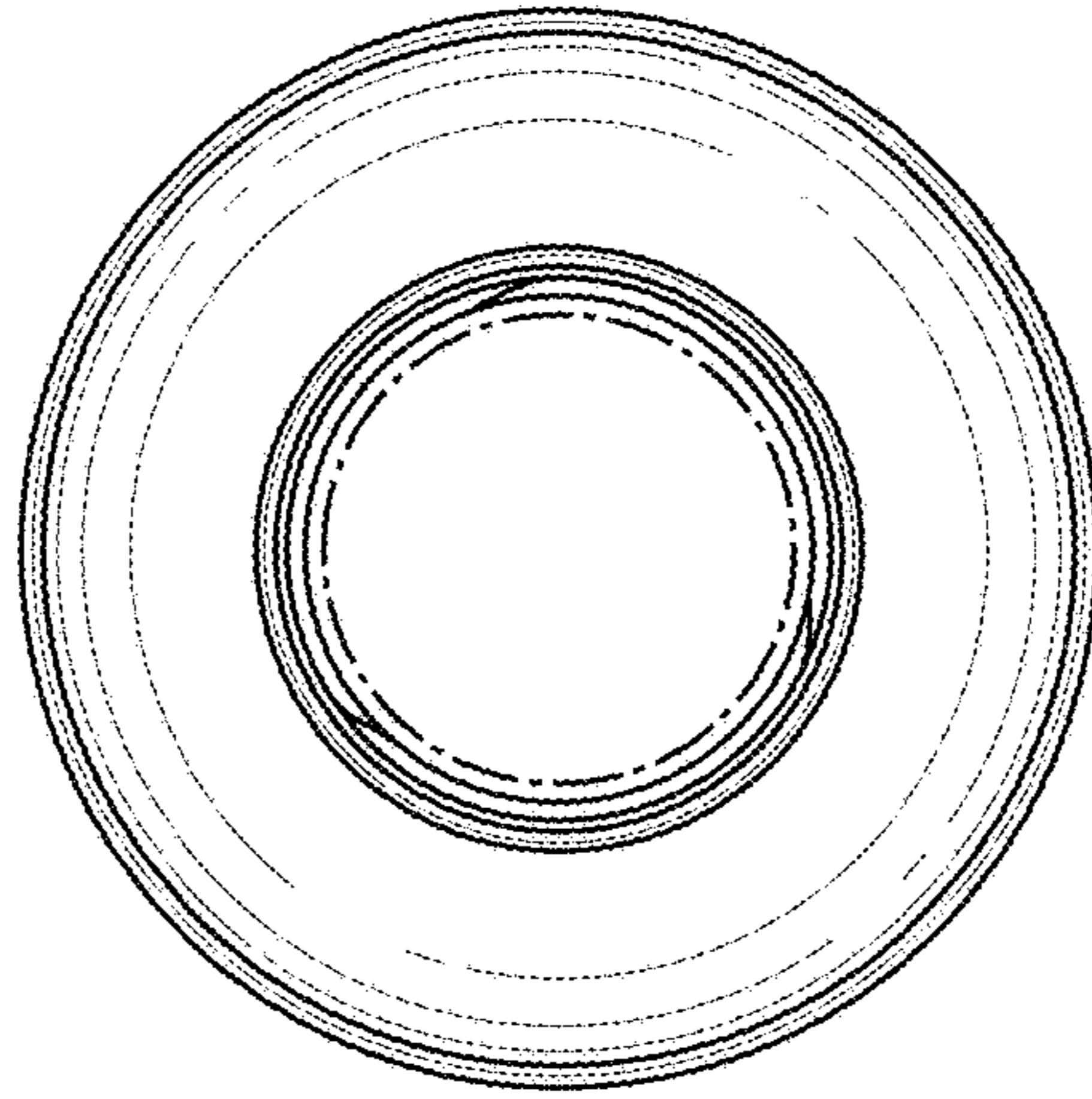


FIG. 7

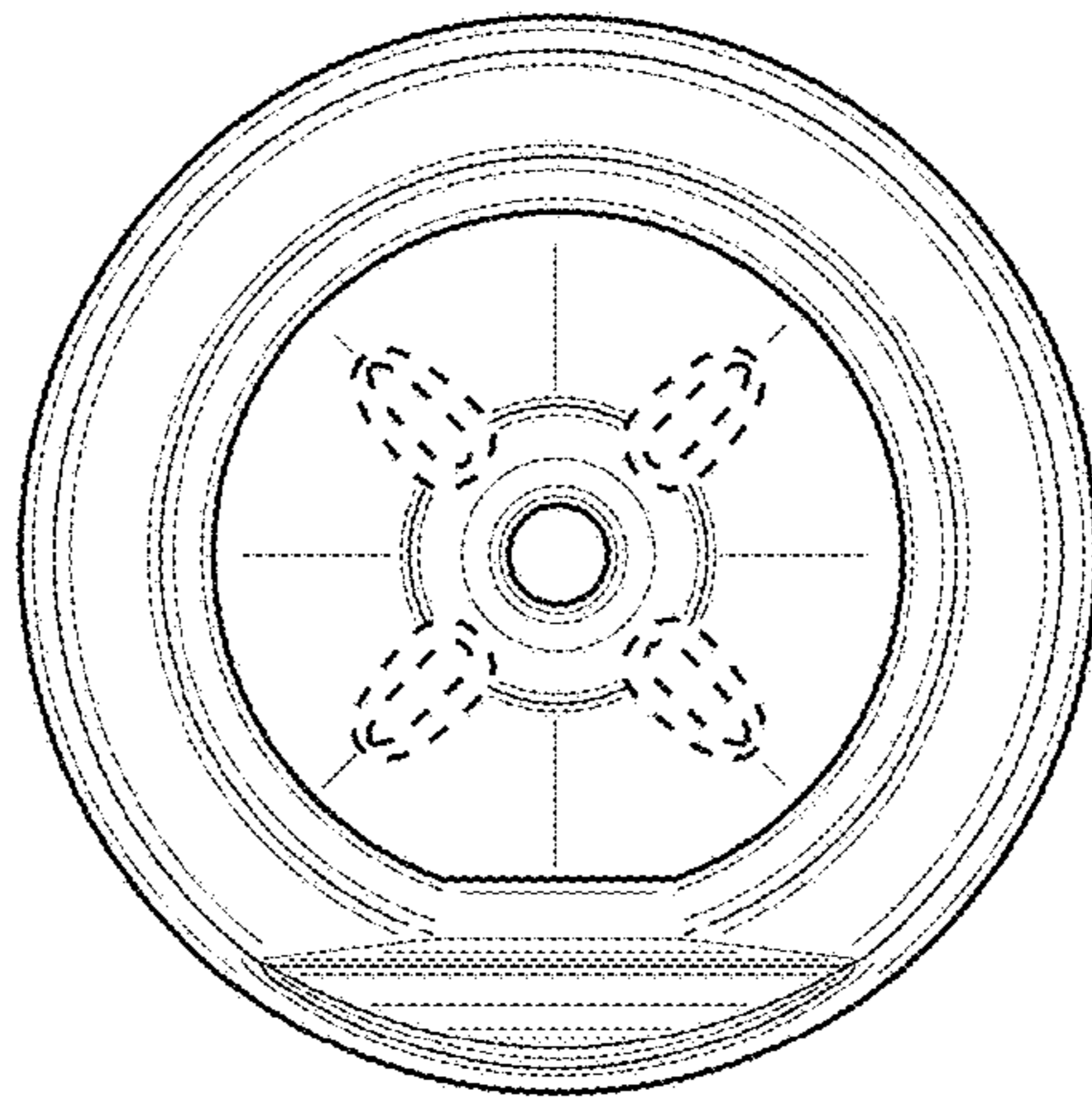


FIG. 8

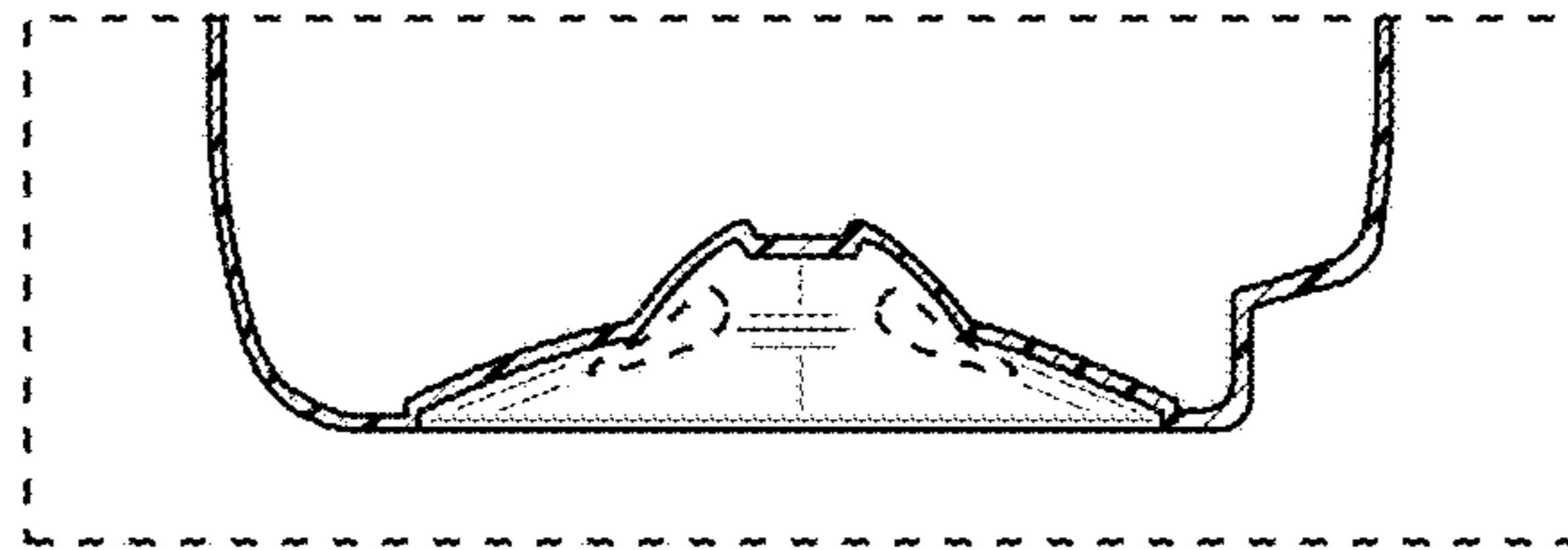


FIG. 9