



US00D804309S

(12) **United States Design Patent** (10) **Patent No.:** **US D804,309 S**
Hines (45) **Date of Patent:** **** Dec. 5, 2017**

(54) **METAL BOTTLE**

FOREIGN PATENT DOCUMENTS

(71) Applicant: **Ball Corporation**, Broomfield, CO (US)

AU 2003290205 3/2004
CA 2348438 3/2001

(Continued)

(72) Inventor: **Linda A. Hines**, Westminster, CO (US)

(73) Assignee: **Ball Corporation**, Broomfield, CO (US)

OTHER PUBLICATIONS

(**) Term: **15 Years**

8 oz Aluminum Bullet (250ml), containerandpackaging.com, available Nov. 22, 2011, © 2004-2015 Container & Packaging Supply, Inc. [online], [site visited Feb. 8, 2017]. Available from Internet, <<https://www.containerandpackaging.com/item/B313>>.*

(21) Appl. No.: **29/554,999**

(Continued)

(22) Filed: **Feb. 17, 2016**

(51) **LOC (10) Cl.** **09-01**

(52) **U.S. Cl.**
USPC **D9/500**; D9/549

Primary Examiner — Anhdao Doan

Assistant Examiner — Mary Malley

(74) *Attorney, Agent, or Firm* — Sheridan Ross P.C.

(58) **Field of Classification Search**

USPC D9/434-435, 439, 447, 453, 448, 454, D9/500-505, 516, 520, 529-530, D9/537-542, 544-546, 549-550, 553, D9/556-558, 566, 574-575, 682, D9/685-692, 715, 719, 724, 763-783; D7/300, 300.1, 598, 509-511, 619.1, D7/619.2, 307, 308, 314, 315, 313, 505; D24/197; 215/378-379, 381-385, 215/370-371; 220/660, 662, 669-674, 220/675
CPC ... B65D 1/00; B65D 1/02; B65D 1/12; B65D 1/14; B65D 1/16; B65D 1/40; B65D 1/44; B65D 1/023; B65D 1/0223; B65D 1/0233; B65D 1/165; B65D 1/238; B65D 1/246; B65D 1/253; B65D 23/00; B65D 83/00; B65D 2501/00; B65D 2501/0009; B65D

(Continued)

(56) **References Cited**

U.S. PATENT DOCUMENTS

D9,991 S 5/1877 Pinckney
D16,864 S * 8/1886 Hurley D9/500
D31,079 S 6/1899 Claude

(Continued)

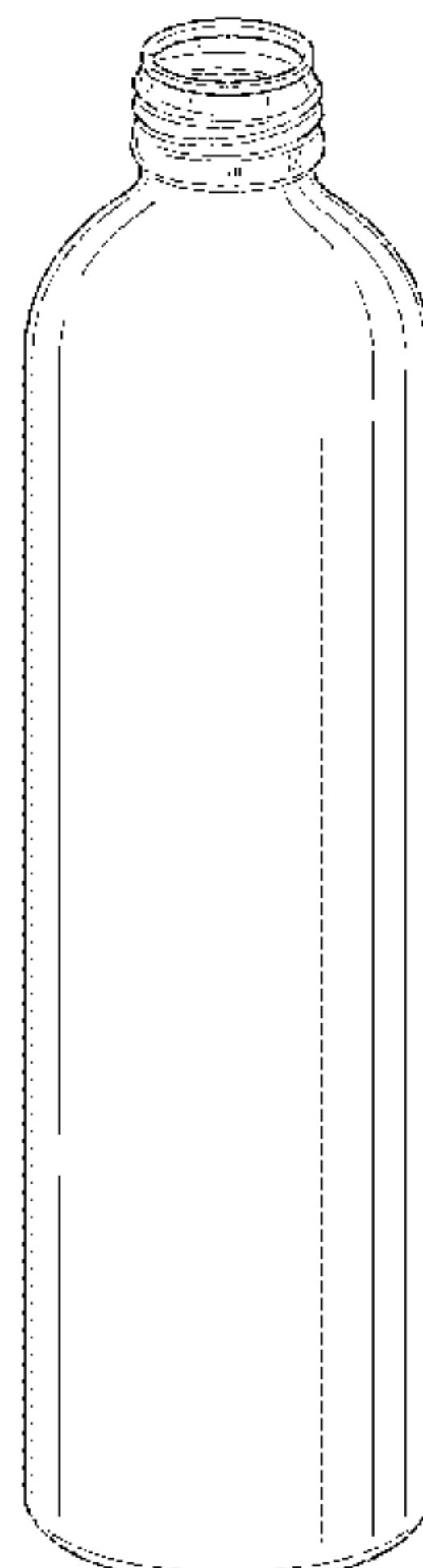
(57) **CLAIM**

The ornamental design for a metal bottle, as shown and described.

DESCRIPTION

FIG. 1 is a front perspective view of a metal bottle;
FIG. 2 is a front elevation view thereof;
FIG. 3 is a top plan view thereof;
FIG. 4 is a bottom plan view thereof;
FIG. 5 is a front perspective view of a metal bottle according to an alternative embodiment;
FIG. 6 is a front elevation view of the embodiment of FIG. 9;
FIG. 7 is a top plan view of the embodiment of FIG. 9; and,
FIG. 8 is a bottom plan view of the embodiment of FIG. 9.
The broken lines illustrate portions of a metal bottle that form no part of the claimed design.

1 Claim, 4 Drawing Sheets



(58) **Field of Classification Search**
 CPC .. 2501/0081; B65D 7/04; B65D 81/00; B65D
 25/00; B05B 11/0005; C03B 9/325
 See application file for complete search history.

(56) **References Cited**

U.S. PATENT DOCUMENTS

D35,068 S 9/1901 Lorenz
 1,079,403 A 11/1913 Crecelius
 D58,203 S 6/1921 Anderson
 1,698,999 A 1/1929 Hothersall
 2,157,896 A 5/1939 Held
 2,337,182 A 12/1943 Calleson
 2,357,110 A 8/1944 Heineman
 2,734,650 A 2/1956 Meyer
 3,029,507 A 4/1962 Torello
 D195,103 S 4/1963 Houghton
 D200,362 S 2/1965 Nelson
 D209,480 S 12/1967 Wallace
 D217,585 S 5/1970 Lambelet
 D225,835 S 1/1973 Johnson et al.
 3,726,244 A 4/1973 Arangelovich
 D227,656 S 7/1973 Broadhead
 D228,625 S 10/1973 Pearce
 D234,291 S 2/1975 Broadhead
 3,964,413 A 6/1976 Saunders
 3,972,217 A 8/1976 Misonoo
 3,995,572 A 12/1976 Saunders
 D248,927 S 8/1978 Cassia
 D249,330 S 9/1978 Pigeon
 D256,776 S 9/1980 Monnet
 D258,346 S 2/1981 Winchell et al.
 D260,732 S 9/1981 Walker
 D267,780 S 2/1983 Walter
 4,386,514 A 6/1983 Herten
 4,416,388 A 11/1983 Mulawski
 4,433,791 A 2/1984 Mulawski
 4,442,692 A 4/1984 Lyu
 4,485,663 A 12/1984 Gold et al.
 4,513,874 A 4/1985 Mulawski
 4,527,413 A 7/1985 Budrean et al.
 D282,442 S 2/1986 Kohnle
 4,571,978 A 2/1986 Taube et al.
 4,580,690 A 4/1986 Mulawski
 4,734,303 A 3/1988 Fujiwara et al.
 4,741,447 A 5/1988 John
 4,774,839 A 10/1988 Caleffi et al.
 4,777,085 A 10/1988 Murray, Jr. et al.
 D301,203 S 5/1989 Jolly et al.
 4,863,333 A 9/1989 Kaminski
 4,878,589 A 11/1989 Webster et al.
 D307,648 S 5/1990 Arrington
 4,928,835 A 5/1990 Collette et al.
 4,955,491 A 9/1990 Marshall et al.
 4,962,659 A 10/1990 Imazu et al.
 4,984,708 A 1/1991 Imazu et al.
 5,105,645 A 4/1992 Kobayashi et al.
 D326,811 S * 6/1992 Messer D9/500
 D328,420 S 8/1992 Miller
 D335,455 S 5/1993 Brown
 5,209,099 A 5/1993 Saunders
 5,249,447 A 10/1993 Aizawa et al.
 5,251,424 A 10/1993 Zenger et al.
 5,297,414 A 3/1994 Sainz
 D347,571 S 6/1994 Wacker
 5,343,729 A 9/1994 Saunders
 5,347,839 A 9/1994 Saunders
 5,355,710 A 10/1994 Diekhoff
 D352,004 S 11/1994 Bikoff et al.
 5,388,716 A 2/1995 Stoffel et al.
 5,409,130 A 4/1995 Saunders
 5,433,099 A 7/1995 Katsuhiko et al.
 D364,347 S 11/1995 Sillince et al.
 5,497,900 A 3/1996 Caleffi et al.
 D368,528 S 4/1996 Allegre
 D369,294 S 4/1996 Hirato

5,544,517 A 8/1996 Shimizu
 5,555,992 A 9/1996 Sedgeley
 5,557,963 A 9/1996 Diekhoff
 5,572,893 A 11/1996 Goda et al.
 D378,016 S 2/1997 Armbruster et al.
 5,605,996 A 2/1997 Chuu et al.
 5,622,070 A 4/1997 Bulso, Jr.
 D381,575 S 7/1997 Mahlmann
 D381,913 S 8/1997 Abfier et al.
 5,653,357 A 8/1997 Miyazawa et al.
 5,660,290 A 8/1997 Hayes
 D383,067 S 9/1997 Gower et al.
 D384,586 S 10/1997 Peek
 D384,888 S 10/1997 Diekhoff
 5,704,240 A 1/1998 Jordan
 5,713,235 A 2/1998 Diekhoff
 5,718,352 A 2/1998 Diekhoff et al.
 5,750,223 A 5/1998 Tada et al.
 5,755,354 A 5/1998 Lang
 D395,395 S 6/1998 De Muschamp Payne
 5,779,101 A 7/1998 Holmgren et al.
 5,782,375 A 7/1998 McHenry et al.
 D396,640 S 8/1998 Conrad et al.
 5,822,843 A 10/1998 Diekhoff et al.
 D414,238 S 9/1999 Kupperman
 6,010,028 A 1/2000 Jordan et al.
 D422,914 S 4/2000 Lasky
 D429,164 S 8/2000 Peek et al.
 6,095,378 A 8/2000 Potts et al.
 6,102,305 A 8/2000 Chapman et al.
 D431,470 S 10/2000 Henderson
 D435,648 S 12/2000 Shah et al.
 D435,649 S 12/2000 Shah et al.
 6,170,711 B1 * 1/2001 Sherman B65D 25/00
 222/192
 6,179,143 B1 1/2001 Grob
 6,182,487 B1 2/2001 Komiya et al.
 D441,657 S 5/2001 Brown, III
 D446,455 S 8/2001 McGowan
 D447,061 S 8/2001 Peek
 D447,422 S 9/2001 Peek
 D449,531 S * 10/2001 Cooley D9/500
 D453,003 S 1/2002 Rashid
 6,338,415 B1 1/2002 Grob
 6,375,020 B1 4/2002 Marquez
 D461,674 S 8/2002 Dorney
 D464,569 S 10/2002 Moore et al.
 6,463,776 B1 10/2002 Enoki et al.
 6,499,329 B1 12/2002 Enoki et al.
 D469,360 S 1/2003 Moore et al.
 6,543,636 B1 4/2003 Flecheux et al.
 D475,630 S 6/2003 Canino
 6,585,411 B2 7/2003 Hammarth et al.
 D478,286 S 8/2003 Futral et al.
 D478,287 S 8/2003 Corker et al.
 D479,999 S 9/2003 Moore
 D480,650 S 10/2003 Moore et al.
 D481,317 S 10/2003 Corker et al.
 D481,938 S 11/2003 McRae
 D489,983 S 5/2004 Futral et al.
 D489,984 S 5/2004 Futral et al.
 D489,987 S 5/2004 Ogata et al.
 D489,988 S 5/2004 Ogata et al.
 D492,599 S 7/2004 Enoki et al.
 6,779,677 B2 8/2004 Chupak
 6,857,304 B2 2/2005 Enoki
 D503,343 S 3/2005 Canino
 6,907,653 B2 6/2005 Chupak
 D508,854 S 8/2005 Livingston et al.
 6,945,085 B1 9/2005 Goda
 6,959,830 B1 11/2005 Kanou et al.
 D517,417 S 3/2006 Livingston et al.
 D518,732 S 4/2006 Gedanke et al.
 D521,392 S 5/2006 Christ et al.
 7,036,671 B2 5/2006 Hidalgo et al.
 D523,341 S 6/2006 Livingston et al.
 D523,347 S 6/2006 Livingston et al.
 D525,139 S 7/2006 Livingston et al.
 D525,530 S 7/2006 Livingston et al.

(56)

References Cited

U.S. PATENT DOCUMENTS

D528,000 S 9/2006 Davis et al.
 D531,048 S 10/2006 Krause
 D531,903 S 11/2006 Haubein
 7,140,223 B2 11/2006 Chupak
 7,171,840 B2 2/2007 Kanou et al.
 7,191,032 B2 3/2007 MacEwen et al.
 7,191,632 B2 3/2007 Kanehara et al.
 D540,171 S 4/2007 Ko
 7,222,757 B2 5/2007 Ferreira et al.
 D554,000 S 10/2007 Walsh
 D564,881 S 3/2008 Chupak
 7,337,646 B2 3/2008 Aoyaggi et al.
 7,354,234 B2 4/2008 Fujishige et al.
 D568,746 S 5/2008 Goldsmith et al.
 D569,252 S 5/2008 Borsari et al.
 D570,228 S 6/2008 van Dam
 D572,590 S 7/2008 Coulis et al.
 D575,154 S 8/2008 Andrews et al.
 D584,623 S 1/2009 Chupak
 D587,137 S 2/2009 Hayden et al.
 7,497,350 B2 3/2009 Enoki et al.
 D592,060 S 5/2009 Chupak
 D593,876 S 6/2009 Hayden et al.
 D596,048 S 7/2009 Hayden et al.
 D596,488 S 7/2009 Chupak
 D600,556 S 9/2009 Chupak
 D600,557 S 9/2009 Chupak
 D604,640 S 11/2009 Renz et al.
 D604,641 S 11/2009 Renz et al.
 7,621,166 B2 11/2009 Ferreira et al.
 D605,040 S 12/2009 Fry et al.
 D607,754 S 1/2010 Hayden et al.
 7,651,651 B2 1/2010 Riffer
 D611,822 S * 3/2010 Rajani D9/520
 7,721,578 B2 5/2010 Enoki et al.
 D617,204 S * 6/2010 Lauret D9/520
 D619,457 S 7/2010 Walsh
 D619,458 S 7/2010 Walsh
 D619,459 S 7/2010 Walsh
 D620,360 S 7/2010 Walsh
 D620,370 S 7/2010 Kuzma et al.
 D621,723 S 8/2010 Gogola et al.
 D622,145 S 8/2010 Walsh
 D624,417 S 9/2010 Bentley et al.
 7,798,357 B2 9/2010 Hanafusa et al.
 D625,616 S 10/2010 Gogola et al.
 D631,360 S 1/2011 van Westreenen
 D631,758 S 2/2011 Alvares et al.
 D632,589 S 2/2011 George
 7,878,040 B2 2/2011 Taya et al.
 D633,338 S * 3/2011 Rosbach D7/511
 D636,272 S * 4/2011 Pearson D9/685
 D638,708 S 5/2011 Walsh
 7,946,436 B2 5/2011 Laveault et al.
 D639,164 S 6/2011 Walsh
 D639,165 S 6/2011 Dingenouts
 D644,515 S 9/2011 Tieleman et al.
 8,016,148 B2 9/2011 Walsh
 D646,165 S 10/2011 Chupak
 D646,166 S 10/2011 Chupak
 8,074,483 B2 12/2011 Kojima et al.
 D653,966 S 2/2012 Kohara et al.
 D654,379 S 2/2012 Kohara et al.
 D654,380 S 2/2012 Kohara et al.
 D654,794 S 2/2012 Morais et al.
 D656,822 S 4/2012 Jacober
 D658,993 S 5/2012 Gill et al.
 D658,996 S * 5/2012 Potts D9/500
 D658,997 S * 5/2012 Potts D9/500
 D669,356 S 10/2012 Jacober
 8,286,459 B2 10/2012 Kubo et al.
 D671,010 S 11/2012 Shefler
 D677,169 S 3/2013 Roos et al.
 D678,068 S * 3/2013 Huang D9/500
 D678,772 S 3/2013 Johnson et al.

D679,600 S * 4/2013 Gonzalez Rodriguez D9/500
 D684,059 S 6/2013 Johnson et al.
 D684,483 S 6/2013 Jahina et al.
 D686,078 S 7/2013 Johnson et al.
 D686,079 S 7/2013 Johnson et al.
 D687,710 S 8/2013 Johnson et al.
 D688,949 S 9/2013 Johnson et al.
 D691,475 S * 10/2013 Potts D9/500
 D691,885 S * 10/2013 Potts D9/500
 D696,116 S 12/2013 Jacober et al.
 D696,946 S 1/2014 Hines
 D697,404 S 1/2014 Johnson et al.
 D697,407 S 1/2014 Hines
 D701,464 S 3/2014 Ogata et al.
 D702,553 S 4/2014 Jentzsch et al.
 D709,370 S 7/2014 Van Hoof
 D717,171 S * 11/2014 Delacourt D9/500
 D721,964 S * 2/2015 Rampley D9/500
 D725,471 S 3/2015 Jacober et al.
 D725,472 S 3/2015 Jacober et al.
 D734,154 S 7/2015 Johnson et al.
 D742,251 S 11/2015 Kaanta et al.
 D743,259 S * 11/2015 Delacourt D9/500
 2003/0046971 A1 3/2003 Enoki
 2003/0102278 A1 6/2003 Chupak
 2004/0035871 A1 2/2004 Chupak
 2004/0173560 A1 9/2004 Chupak
 2005/0127077 A1 6/2005 Chupak
 2006/0277957 A1 12/2006 Fujishige et al.
 2007/0017089 A1 1/2007 Hosoi
 2007/0051687 A1 3/2007 Olson
 2008/0011702 A1 * 1/2008 Walsh B65D 1/0207
 215/44
 2008/0047922 A1 2/2008 Olson et al.
 2009/0104390 A1 4/2009 Kubo et al.
 2009/0193866 A1 8/2009 Hamstra
 2009/0223956 A1 9/2009 Matsukawa et al.
 2009/0261101 A1 10/2009 Forrest et al.
 2010/0176224 A1 7/2010 Hasselschwert et al.
 2010/0199741 A1 8/2010 Myers et al.
 2010/0252524 A1 10/2010 Dubs et al.
 2010/0282706 A1 11/2010 Gilliam
 2011/0315651 A1 * 12/2011 Nemire B65D 1/023
 215/43
 2012/0043294 A1 2/2012 Dick et al.

FOREIGN PATENT DOCUMENTS

CA 2352747 4/2001
 CA 2495205 3/2004
 CN 1675010 9/2005
 DE 60218219 10/2007
 EP 76634 4/1985
 EP 0092253 8/1987
 EP 0381322 8/1990
 EP 0684183 11/1995
 EP 740971 11/1996
 EP 0949216 10/1999
 EP 1461262 9/2004
 EP 1531952 8/2006
 EP 1731239 9/2009
 EP 2119515 11/2009
 FR 2495507 6/1982
 GB 1259773 1/1972
 GB 1345227 1/1974
 GB 1349059 3/1974
 JP S61-206533 9/1986
 JP S63-295028 12/1988
 JP H03-221218 9/1991
 JP H04-351231 12/1992
 JP H08-26354 1/1996
 JP H10-272520 10/1998
 JP H11-722 1/1999
 JP H11-164784 6/1999
 JP H11-169980 6/1999
 JP 2000-190042 7/2000
 JP 2013-107093 6/2013
 WO WO 88/08398 11/1988
 WO WO 95/10487 4/1995

(56)

References Cited

FOREIGN PATENT DOCUMENTS

WO	WO 95/15259	6/1995
WO	WO 96/15865	5/1996
WO	WO 98/20992	5/1998
WO	WO 98/29206	7/1998
WO	WO 99/38914	8/1999
WO	WO 01/15829	3/2001
WO	DM/062281	12/2002
WO	DM/063368	4/2003
WO	WO 03/047991	6/2003
WO	WO 2004/018121	3/2004
WO	WO 2004/039511	5/2004
WO	WO 2004/106426	12/2004
WO	WO 2008/103629	8/2008
WO	DM/065799	7/2009
WO	WO 2009/131994	10/2009
WO	WO 2011/053776	5/2011
WO	WO 2012/170618	12/2012

OTHER PUBLICATIONS

Bullet 500 ml ON019, unitedbottles.com, no posting date available © 2017 United Bottles & Packaging, [online], [site visited Feb. 7, 2017]. Available from Internet, < <http://www.unitedbottles.com/product/bullet-500-ml>>.*

PET Bottles from 35ml to 1lt, contapack.com, available Apr. 11, 2011, © Copyright 2008-2017 Andrew Wilkinson, [online], [site visited Feb. 7, 2017]. Available from Internet, <<http://www.contapack.com.au/PET-bottles>>.*

U.S. Appl. No. 29/498,856, filed Aug. 8, 2014, Kaanta et al. “100% Recyclable—Bottlecan by CCL Container,” at www.bottlecan.com/recycle.html, Jun. 22, 2011, 1 page.

“Aluminum Beer Bottles,” at www.bottless.org/Aluminum_Beer_Bottles_s/566.htm, Jun. 22, 2011, 2 pages.

Wikipedia, “Aluminum bottle,” at www.en.wikipedia.org/wiki/Aluminium_bottle, Jun. 22, 2011, 4 pages.

* cited by examiner

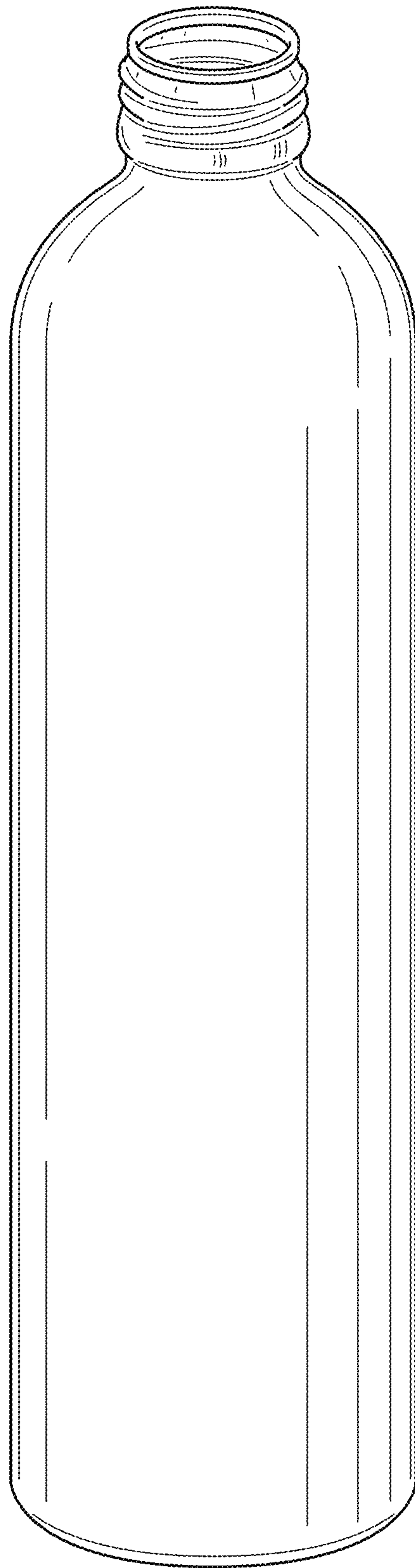


FIG. 1

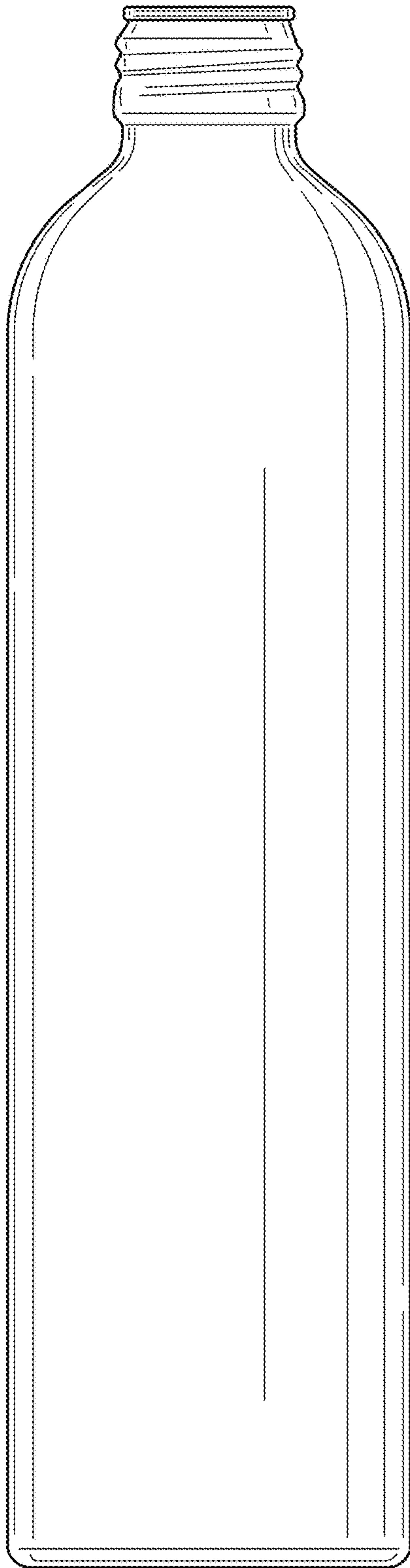


FIG. 2

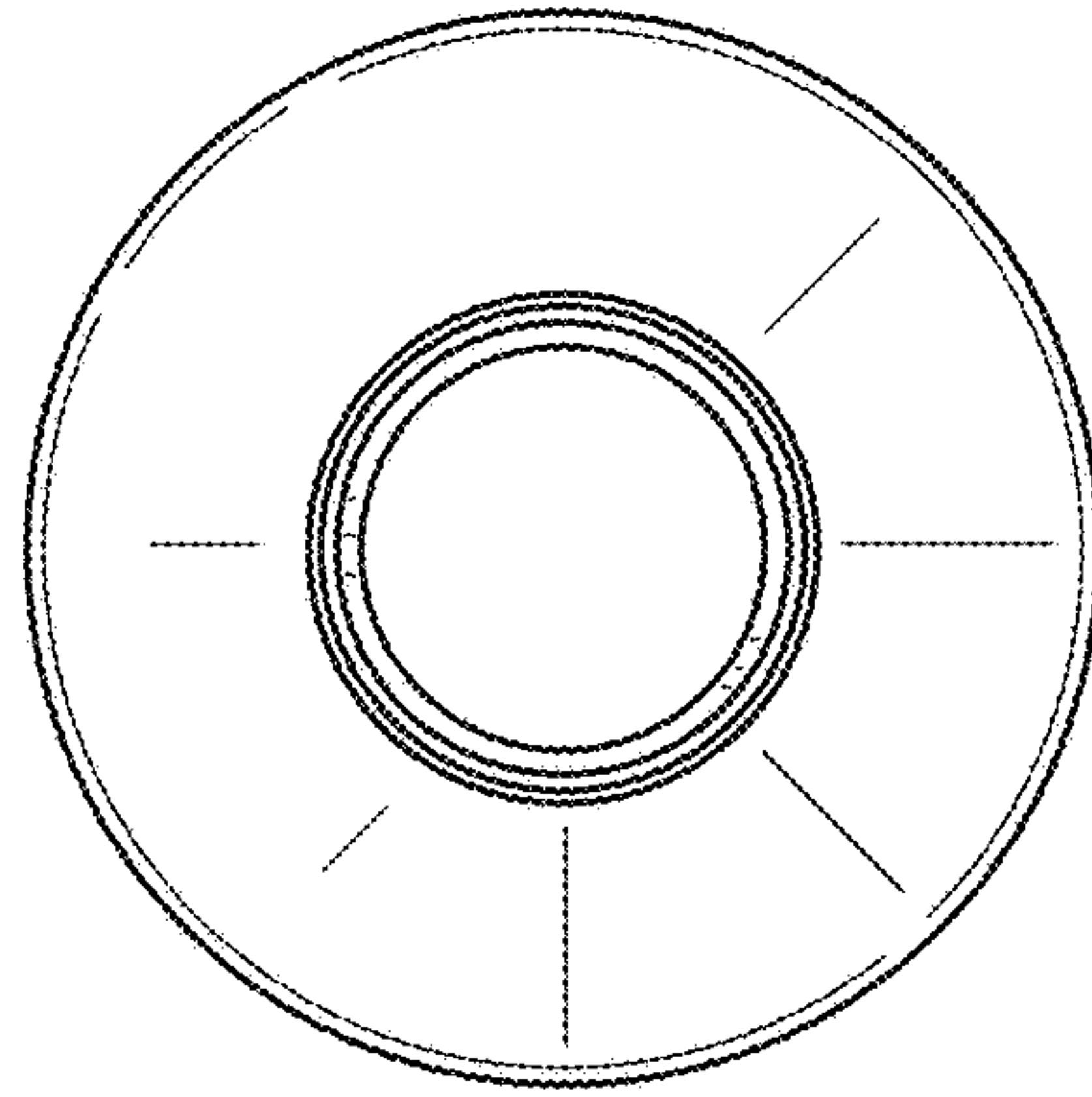


FIG. 3

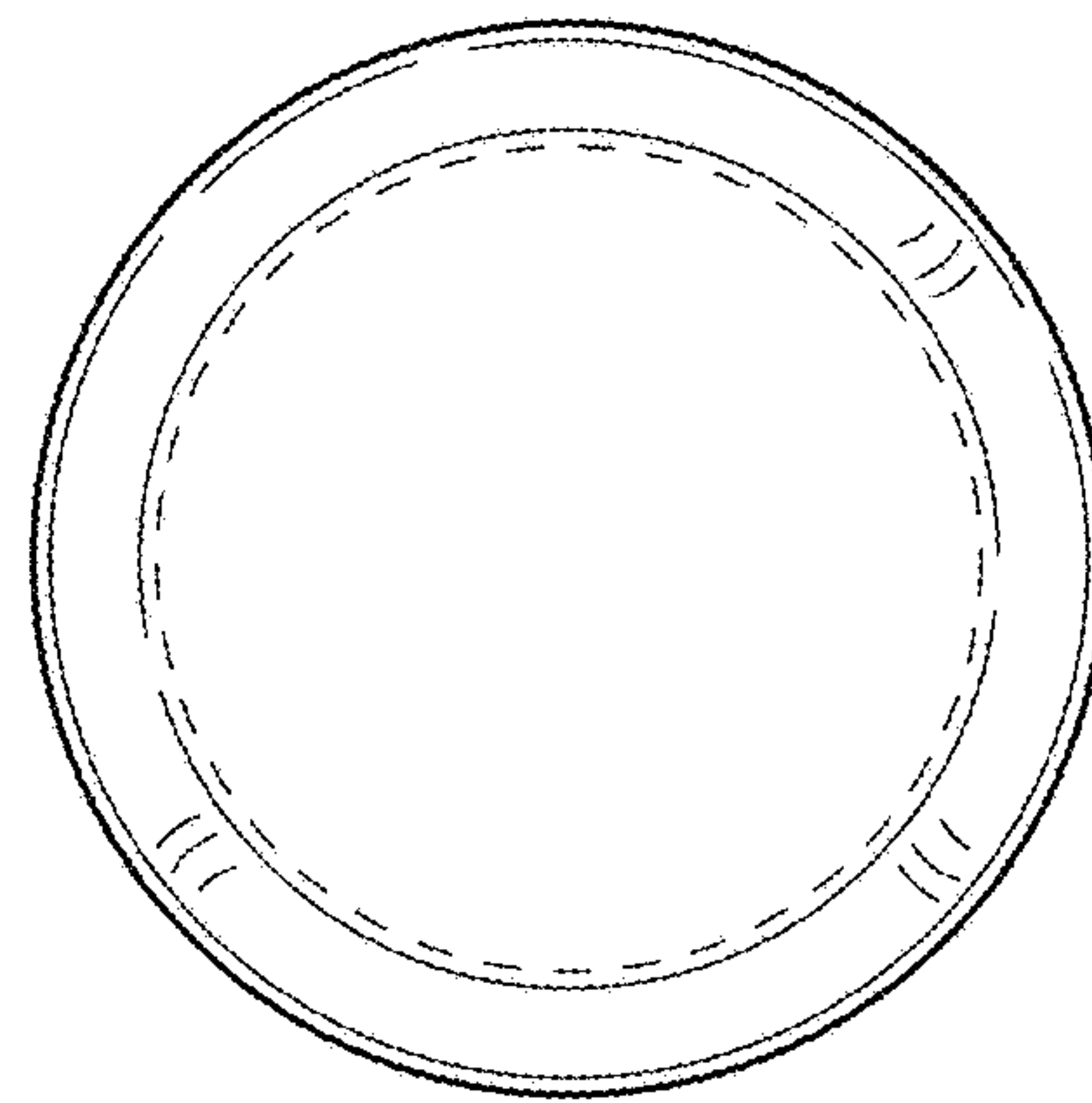


FIG. 4

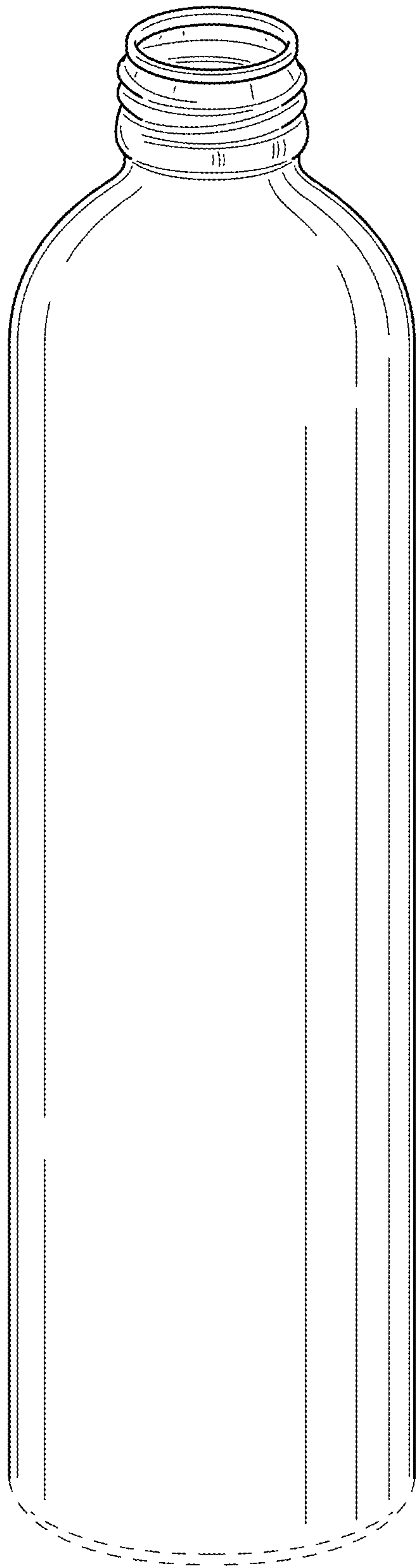


FIG. 5

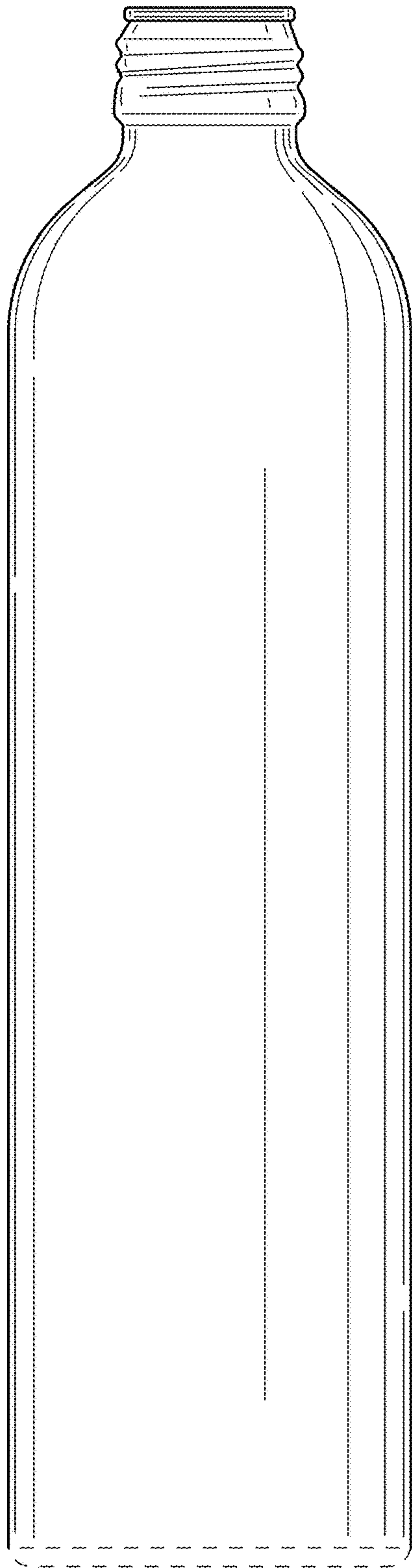


FIG. 6

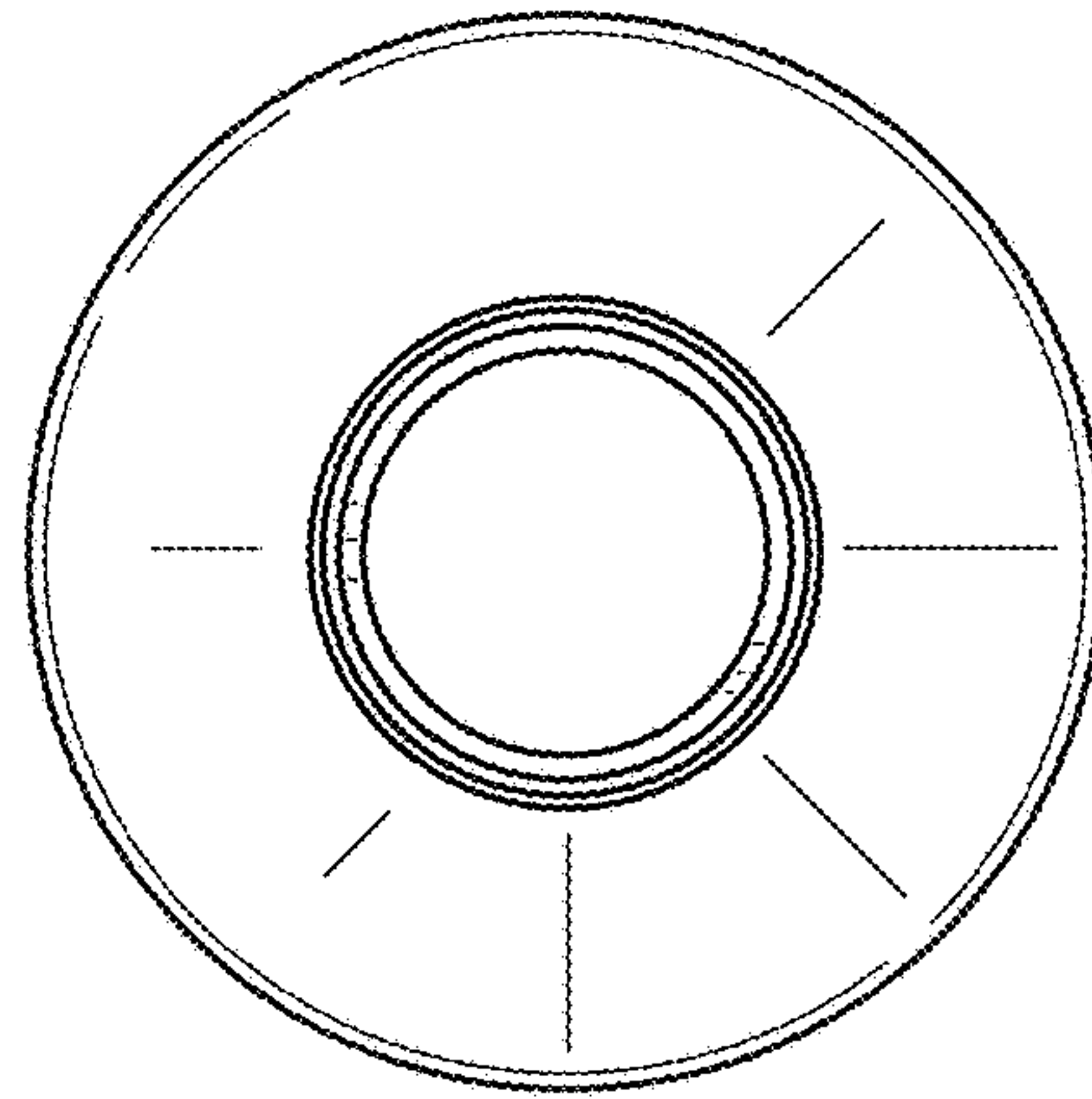


FIG. 7

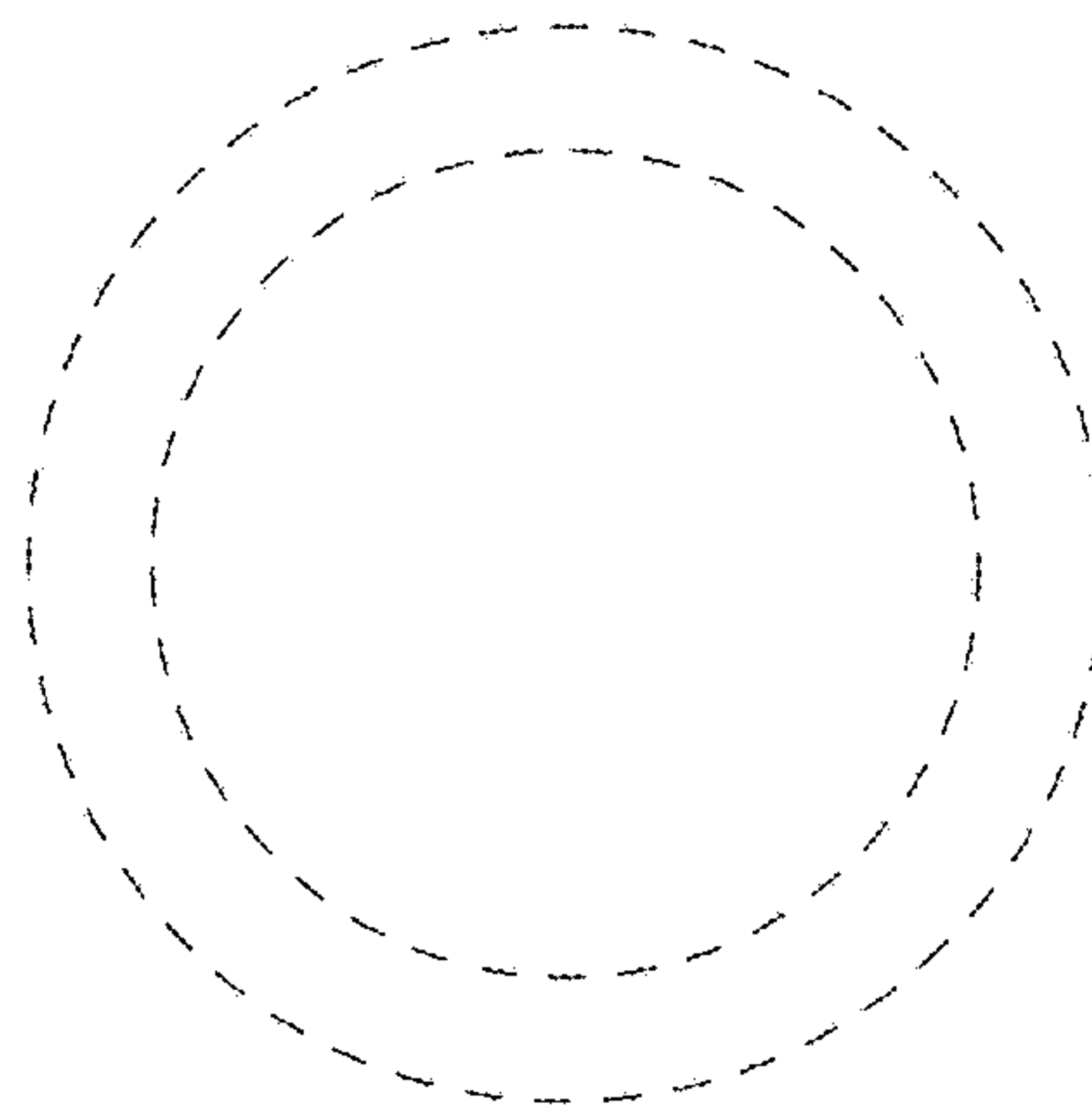


FIG. 8

UNITED STATES PATENT AND TRADEMARK OFFICE
CERTIFICATE OF CORRECTION

PATENT NO. : D804,309 S
APPLICATION NO. : 29/554999
DATED : December 5, 2017
INVENTOR(S) : Linda A. Hines

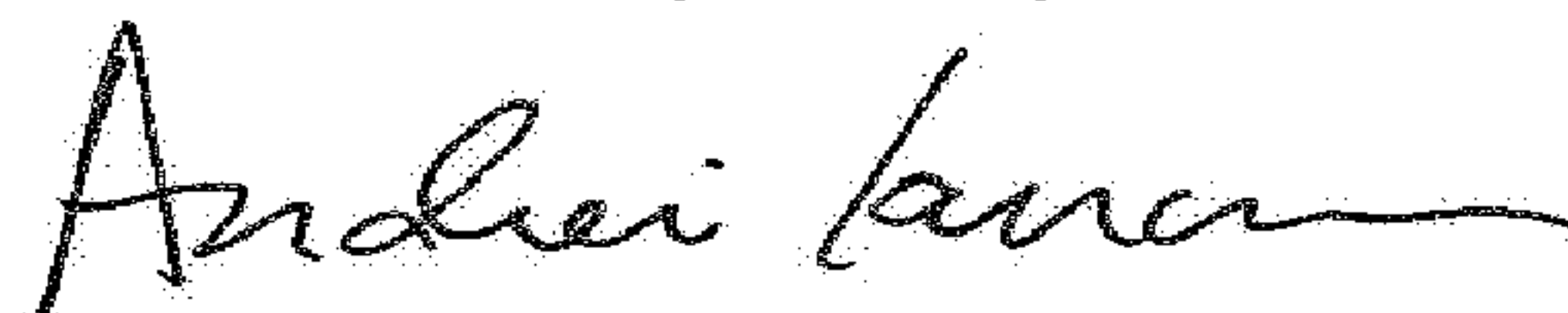
Page 1 of 1

It is certified that error appears in the above-identified patent and that said Letters Patent is hereby corrected as shown below:

On the Title Page

In item (57) under the DESCRIPTION heading, for the figure reference "FIG. 9", each occurrence should read --FIG. 5--.

Signed and Sealed this
Third Day of July, 2018



Andrei Iancu
Director of the United States Patent and Trademark Office