



US00D804305S

(12) **United States Design Patent** (10) **Patent No.:** **US D804,305 S**  
**White** (45) **Date of Patent:** **\*\* Dec. 5, 2017**

(54) **MULTIPLE STRAW BEVERAGE CAP**  
(71) Applicant: **Sappy Sips, LLC**, Aurora, CO (US)  
(72) Inventor: **Wendy White**, Aurora, CO (US)  
(73) Assignee: **SAPPY SIPS, LLC**, Aurora, CO (US)  
(\*\*) Term: **15 Years**  
(21) Appl. No.: **29/567,104**  
(22) Filed: **Jun. 6, 2016**  
(51) **LOC (10) Cl.** ..... **09-01**  
(52) **U.S. Cl.**  
USPC ..... **D9/447**  
(58) **Field of Classification Search**  
USPC ..... D9/434-437, 439, 445-447, 454,  
D9/503-504, 529, 544-545; D8/382,  
D8/356; D11/125, 220, 222; D27/101;  
D7/231, 300.2, 391, 396.2, 397, 538,  
D7/591-592, 594, 672  
CPC ..... B65D 43/162; B65D 81/263; B65D  
51/1616; B65D 2543/00; B65D 43/02;  
B65D 17/163; A47J 36/057; A47J 36/05  
See application file for complete search history.

(56) **References Cited**  
U.S. PATENT DOCUMENTS  
D267,781 S \* 2/1983 Thompson ..... D9/447  
D284,158 S \* 6/1986 Gerber ..... D7/391  
4,801,773 A \* 1/1989 Hanlon ..... A47J 36/027  
219/734  
4,921,712 A \* 5/1990 Malmquist ..... A47J 31/057  
426/110  
D337,481 S \* 7/1993 Stromberg ..... D7/396.2  
D345,081 S \* 3/1994 Adami ..... D7/391  
D364,809 S \* 12/1995 Thomas ..... D9/439  
D407,016 S \* 3/1999 Nastasia ..... D9/439  
D452,119 S \* 12/2001 Zeller ..... D7/591  
D457,388 S \* 5/2002 Milroy ..... D7/213

D474,997 S \* 5/2003 Berzack ..... D11/222  
D516,953 S \* 3/2006 Hollingworth ..... D11/220  
D581,742 S \* 12/2008 Krus ..... D7/591  
D634,238 S \* 3/2011 Chen ..... D11/125  
D648,210 S \* 11/2011 Reynoso ..... D8/382  
8,051,998 B1 \* 11/2011 Giraud ..... B65D 43/162  
215/261  
8,080,770 B2 \* 12/2011 Richardson ..... B65D 17/163  
219/725  
D664,855 S \* 8/2012 Teitelbaum ..... D9/447  
D691,877 S \* 10/2013 Ganski ..... D8/356  
D724,758 S \* 3/2015 Lumme, Jr. .... D25/36  
D732,943 S \* 6/2015 Butler ..... D8/382  
D739,206 S \* 9/2015 Foret ..... D11/220  
D751,903 S \* 3/2016 Kim ..... D9/447  
D753,488 S \* 4/2016 Escobar ..... D9/445

(Continued)

*Primary Examiner* — Susan Bennett Hattan  
*Assistant Examiner* — Camelia H Styles  
(74) *Attorney, Agent, or Firm* — Bryan Cave LLP

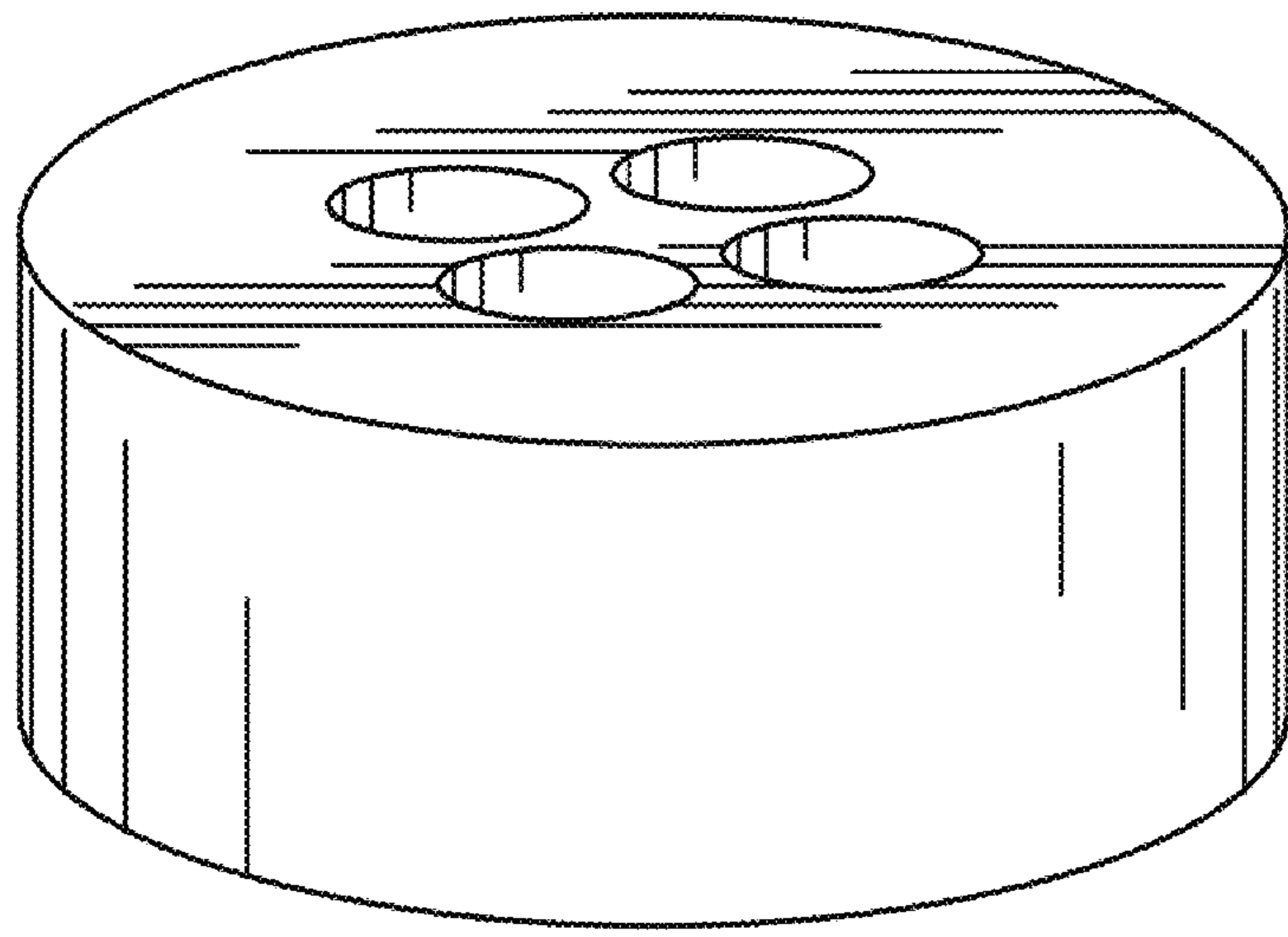
(57) **CLAIM**

I claim the ornamental design for a multiple straw beverage cap, as shown and described.

**DESCRIPTION**

FIG. 1 is a perspective view of a multiple straw beverage cap showing the new design;  
FIG. 2 is a side view thereof;  
FIG. 3 is a top view thereof;  
FIG. 4 is a bottom view thereof;  
FIG. 5 is a perspective cross-sectional view thereof, taken in the direction of line 5-5 on FIG. 3;  
FIG. 6 is a cutaway perspective view showing the design of FIG. 1 in an first alternate environment; and,  
FIG. 7 is a perspective view showing the design of FIG. 1 in a second alternate environment.  
The broken lines in FIGS. 6-7 depict environmental subject matter only and form no part of the claimed design.

**1 Claim, 2 Drawing Sheets**



(56)

**References Cited**

U.S. PATENT DOCUMENTS

D754,919 S \* 4/2016 Alarcon ..... D27/101  
2008/0244873 A1 \* 10/2008 Yamashita ..... A44B 1/04  
24/90.1

\* cited by examiner

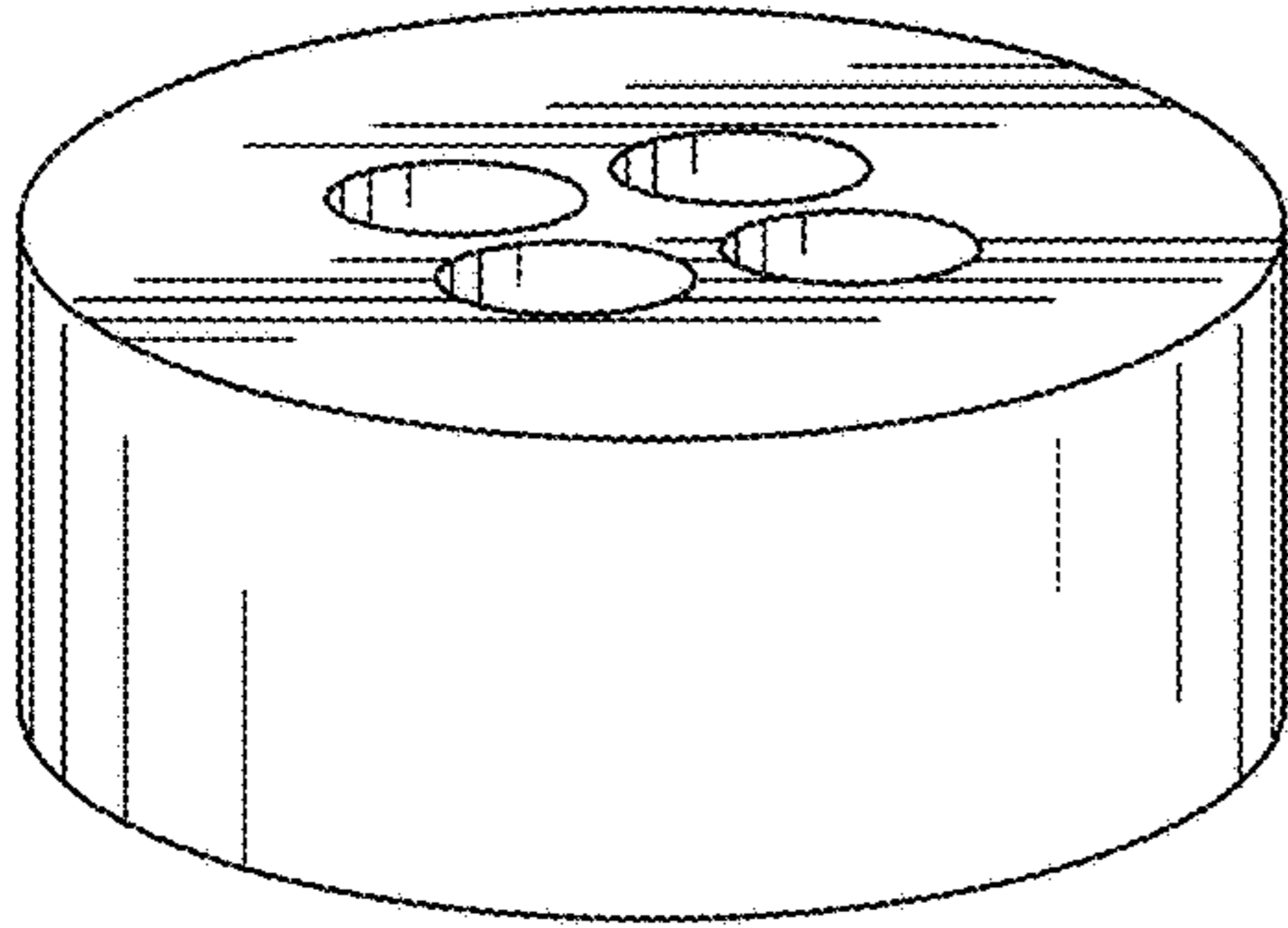


FIG. 1

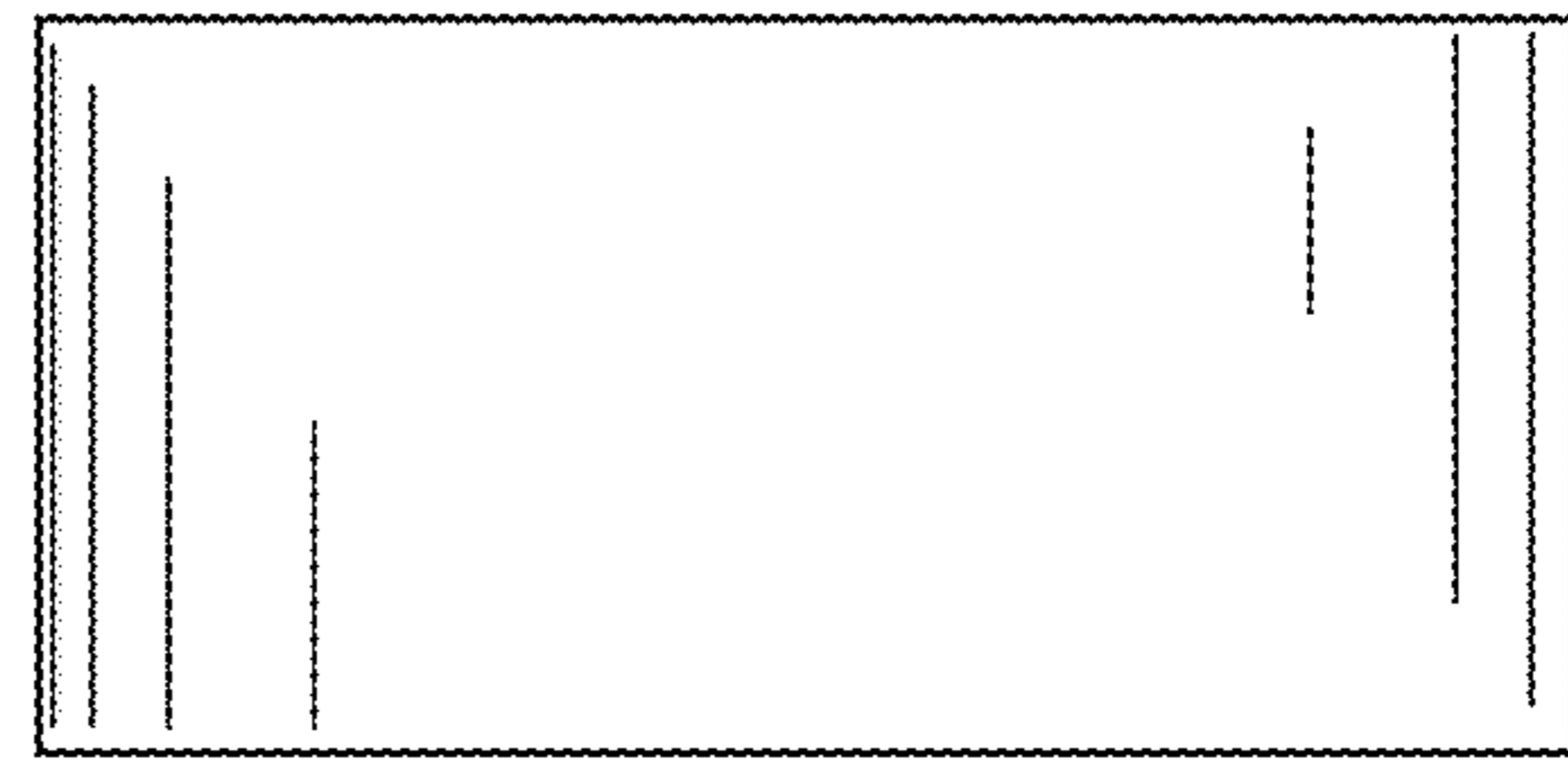


FIG. 2

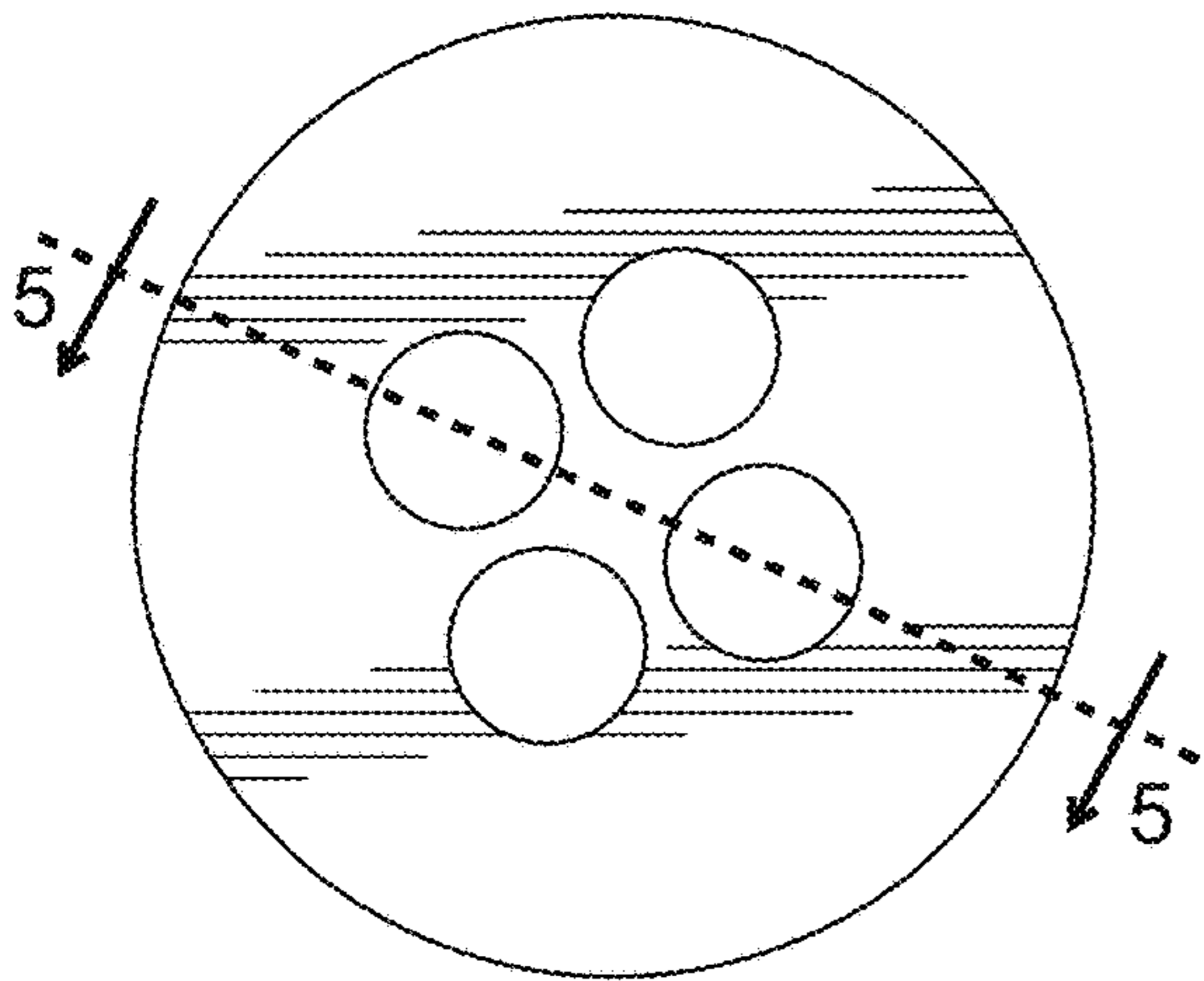


FIG. 3

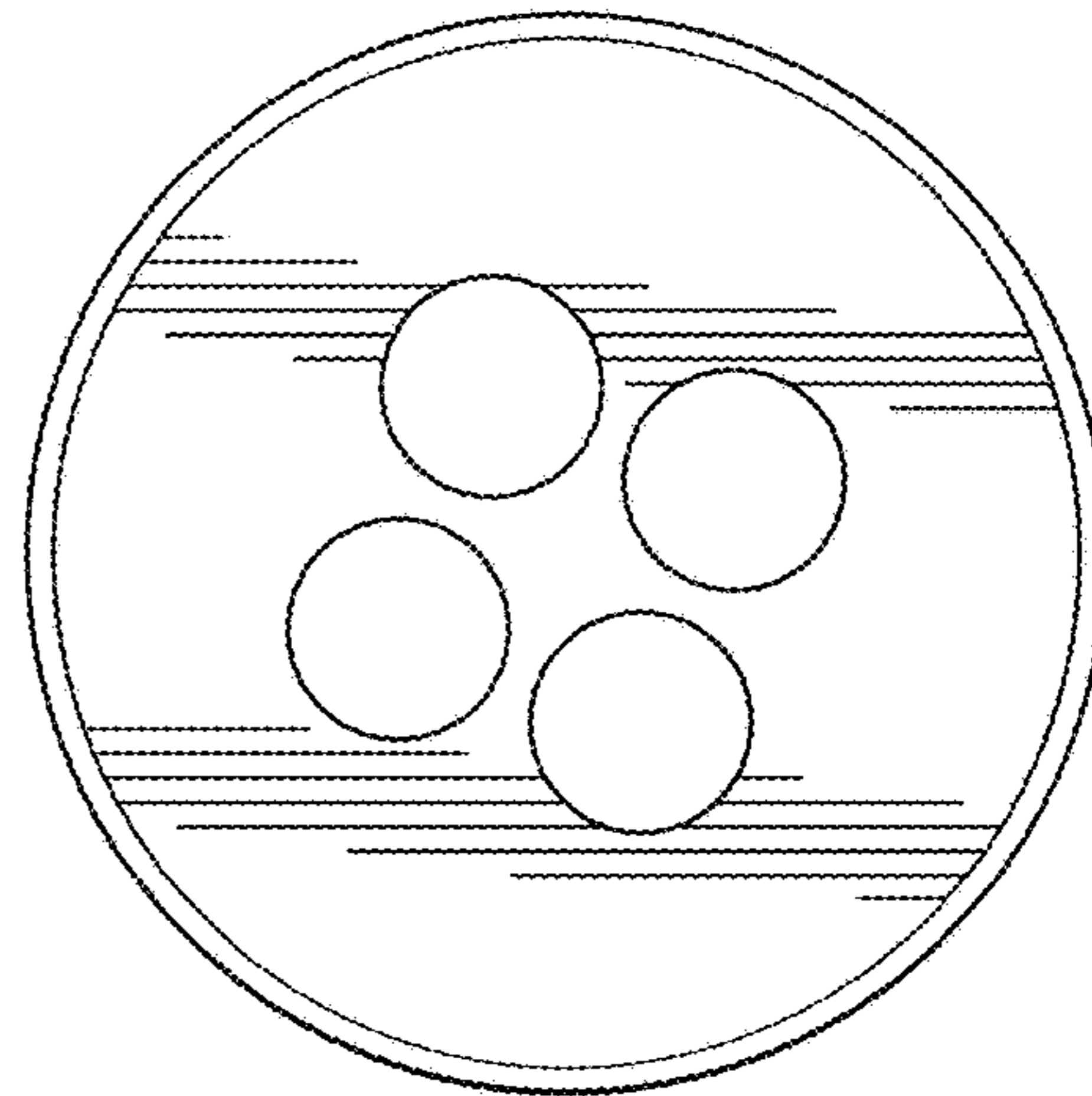


FIG. 4

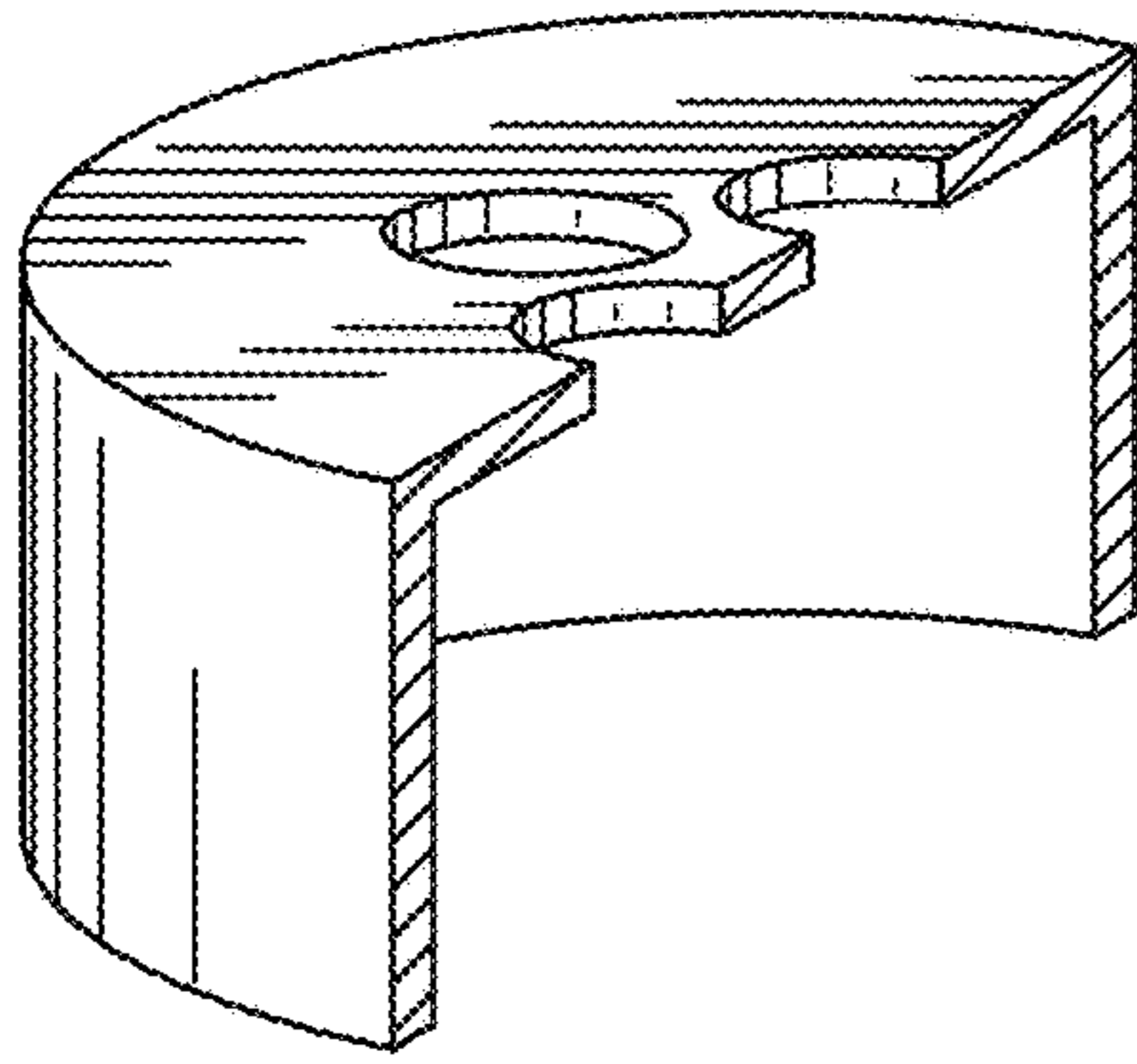


FIG. 5

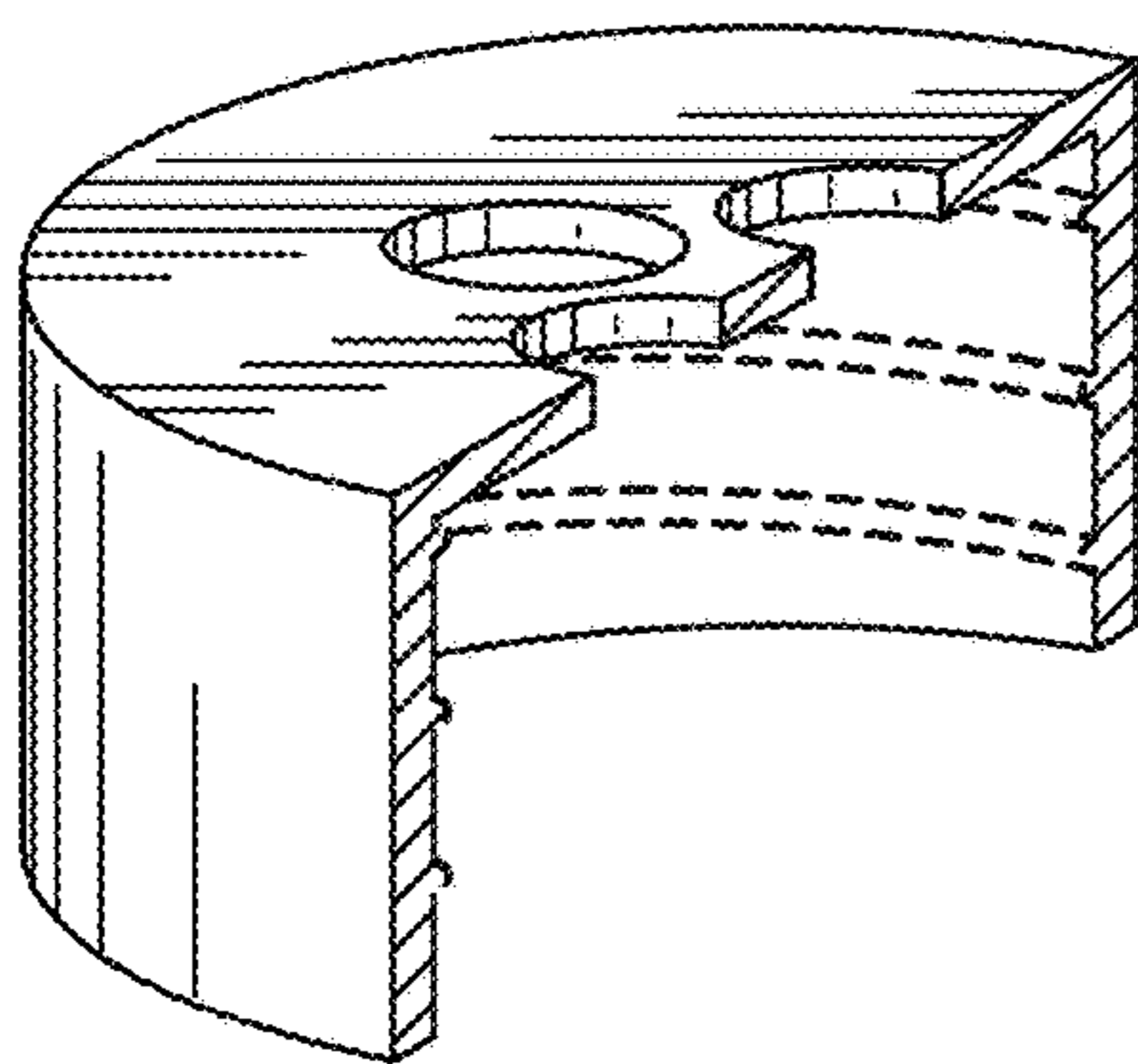


FIG. 6

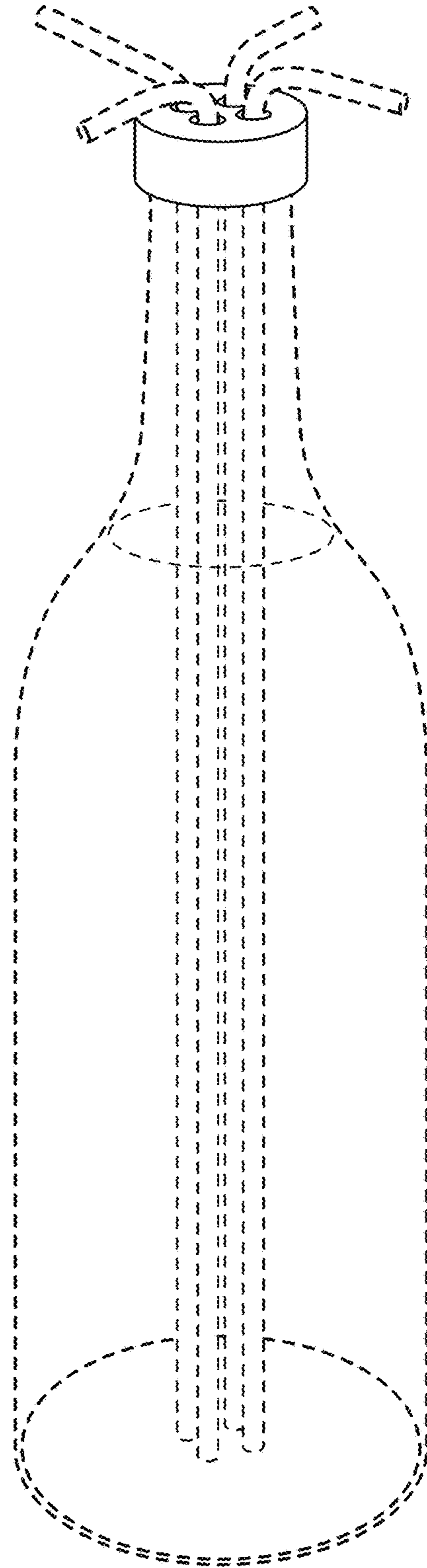


FIG. 7