



US00D804303S

(12) **United States Design Patent** (10) **Patent No.:** **US D804,303 S**
Davison, III et al. (45) **Date of Patent:** **** Dec. 5, 2017**

(54) **BOTTLE AIR PUMP**

(71) Applicant: **Jokari/US, Inc.**, Carrollton, TX (US)
(72) Inventors: **George McConnell Davison, III**, Pittsburgh, PA (US); **Peter Arthur Meier**, Pittsburgh, PA (US); **Timothy Adam Craig**, Pittsburgh, PA (US); **Colin Derek Curry**, Allison Park, PA (US); **Daniel S. Simbeck**, Pittsburgh, PA (US); **Donald H. Saller**, McKinney, TX (US)

(**) Term: **15 Years**

(21) Appl. No.: **29/553,344**

(22) Filed: **Feb. 1, 2016**

(51) **LOC (10) Cl.** **09-07**

(52) **U.S. Cl.**
USPC **D9/436; D9/449**

(58) **Field of Classification Search**
USPC D9/434, 435, 439, 440, 443, 445, 447, D9/448, 449, 454, 499, 436; D15/7; D23/213, 231, 235, 249, 386, 499
CPC B65D 39/00; B65D 41/00; B65D 41/42; B65D 50/048

See application file for complete search history.

(56) **References Cited**

U.S. PATENT DOCUMENTS

D102,443 S *	12/1936	Newman	D7/398
D164,422 S *	9/1951	Holden	D23/213
D179,159 S *	11/1956	Sanborn	D24/110
3,208,618 A *	9/1965	Spector	B65D 41/42
				215/254
4,951,829 A *	8/1990	Hsu	B65D 41/42
				215/253
D311,948 S *	11/1990	Mikol	D23/213
D313,833 S *	1/1991	Presman	D23/213
D461,407 S *	8/2002	Barnes	D9/435
D464,434 S *	10/2002	Morano	D24/197
D481,313 S *	10/2003	Archer	D9/436
D507,744 S *	7/2005	Hierzer	D9/440

(Continued)

OTHER PUBLICATIONS

Ebay. Jokari Pepsi Modern Bottle Soda Fresh Pump & Pour Fizz Keeper. Mar. 26, 2016 [earliest online date], [site visited Feb. 13, 2017]. Available from Internet, <URL:http://www.ebay.com/itm/Jokari-Pepsi-Modern-Bottle-Soda-Fresh-Pump-Pour-Fizz-Keeper-/121936836902>.*

Primary Examiner — Robert M Spear
Assistant Examiner — Darcey E Heflin
(74) *Attorney, Agent, or Firm* — David M. DeMay

(57) **CLAIM**

We claim the ornamental design for a bottle air pump, as shown and described.

DESCRIPTION

FIG. 1 is a perspective view of the bottle air pump showing the new design; the bottle is shown in broken lines and forms no part of the claimed design.

FIG. 2 is a perspective view of the bottle air pump showing the new design in an alternate orientation; the bottle is shown in broken lines and forms no part of the claimed design.

FIG. 3 is a right side elevation view of FIG. 1 shown with the beverage can removed for clarity of disclosure. The left side is a mirrored image of the right side and is not illustrated.

FIG. 4 is a right side elevation view of FIG. 1 shown with the beverage can removed for clarity of disclosure in an alternate position. The left side is a mirrored image of the right side and is not illustrated.

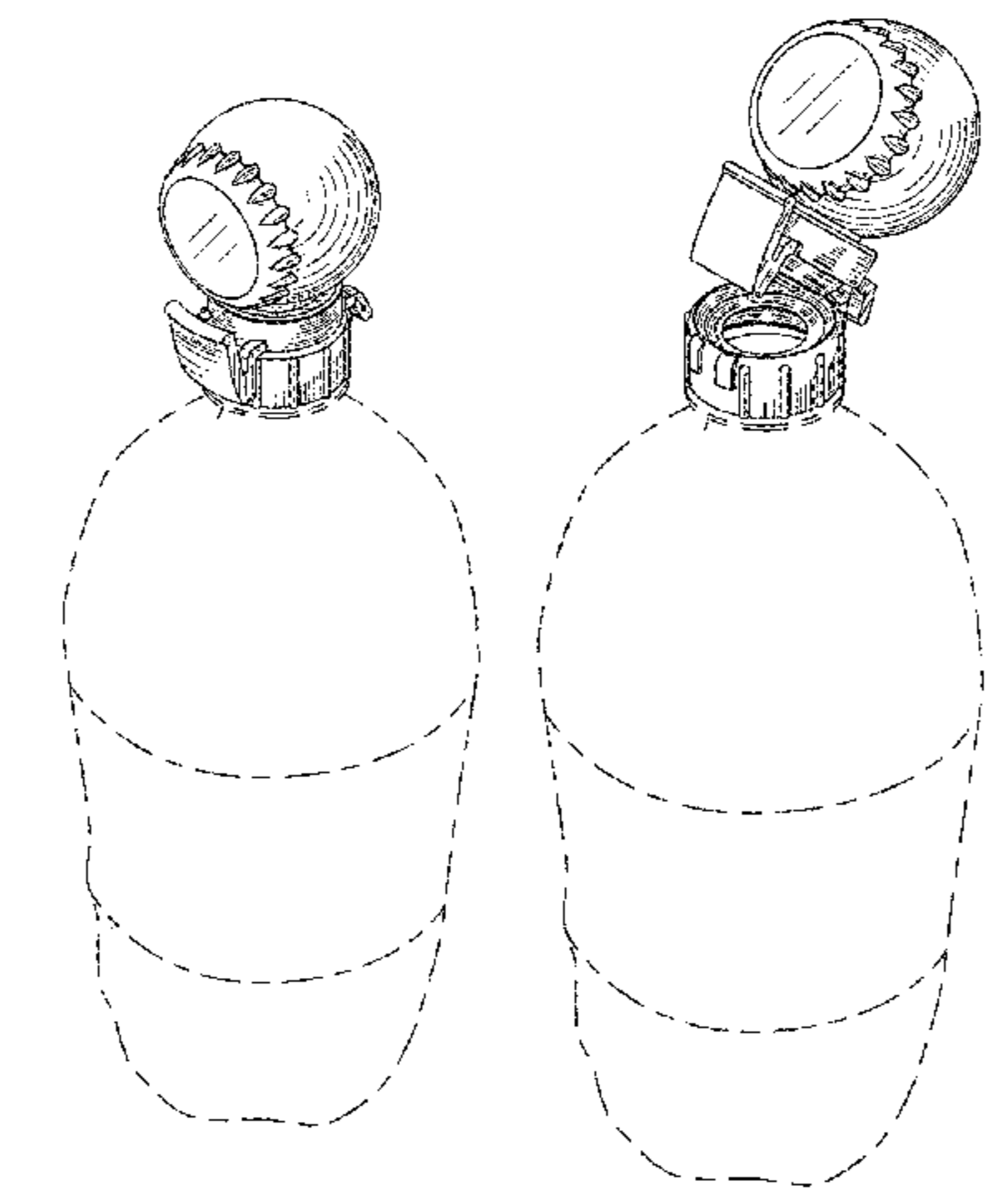
FIG. 5 is a front elevation view of FIG. 3.

FIG. 6 is a front elevation view of FIG. 3 in an alternate position.

FIG. 7 is top plan view of FIG. 3. The element shown in broken lines forms no part of the claimed design; and,

FIG. 8 is a bottom plan view of FIG. 3.

1 Claim, 8 Drawing Sheets



(56)

References Cited

U.S. PATENT DOCUMENTS

D557,605 S	*	12/2007	Reber, II	D9/453
D613,161 S	*	4/2010	Greenfield	D9/443
D620,356 S	*	7/2010	Greenfield	D9/443
D642,466 S	*	8/2011	Azar	D9/451
D744,338 S	*	12/2015	Tillman	D9/451
D757,541 S	*	5/2016	Wu	D9/439

* cited by examiner

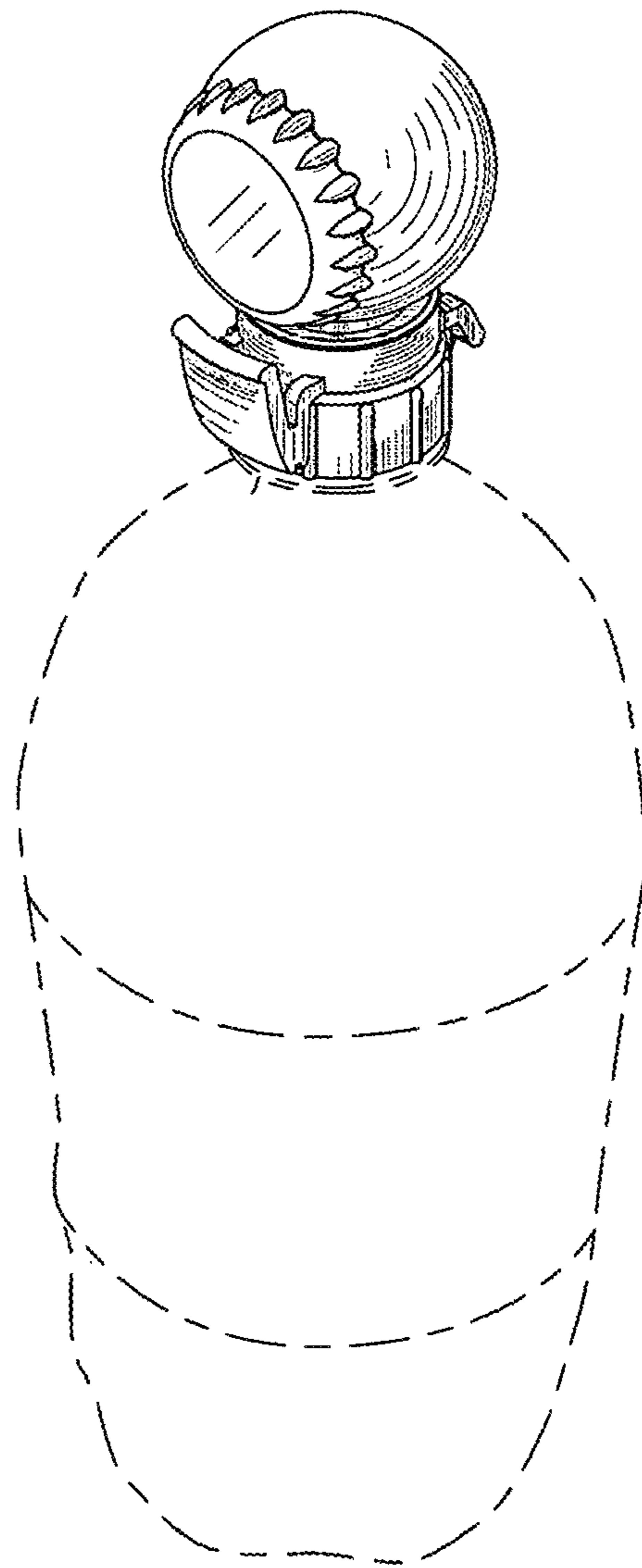


Figure 1

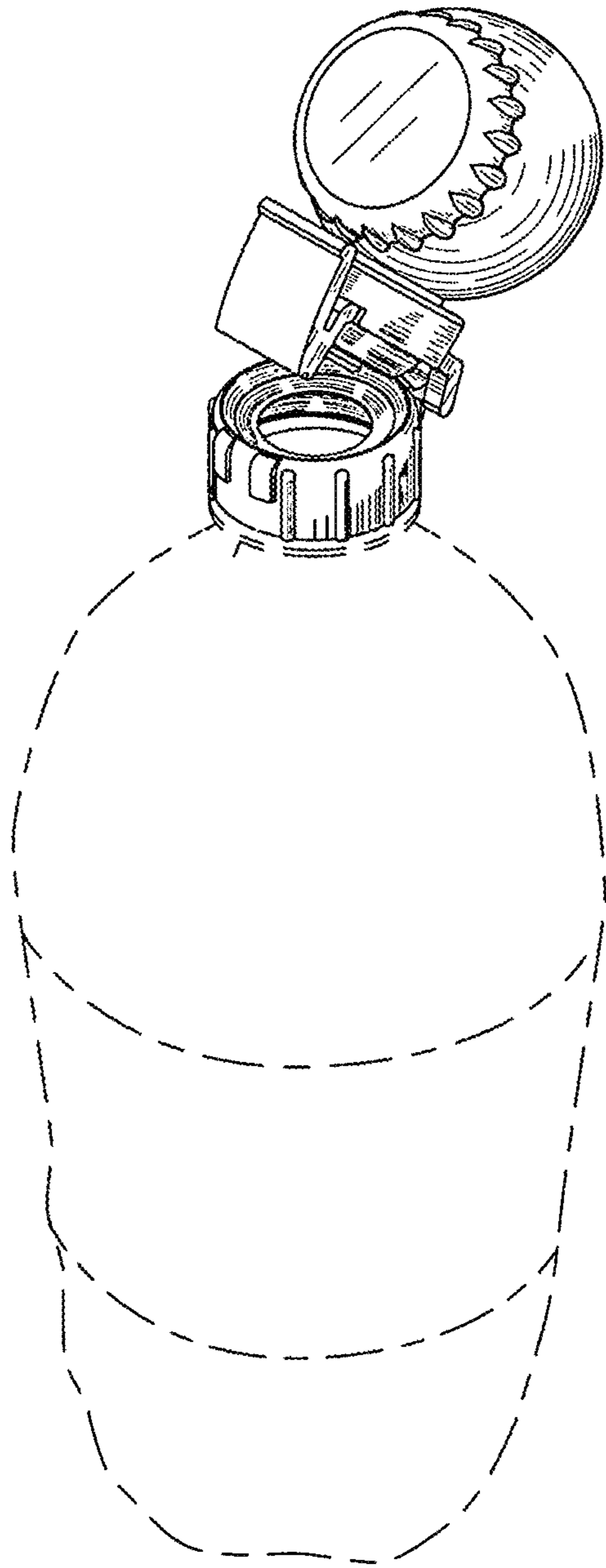


Figure 2

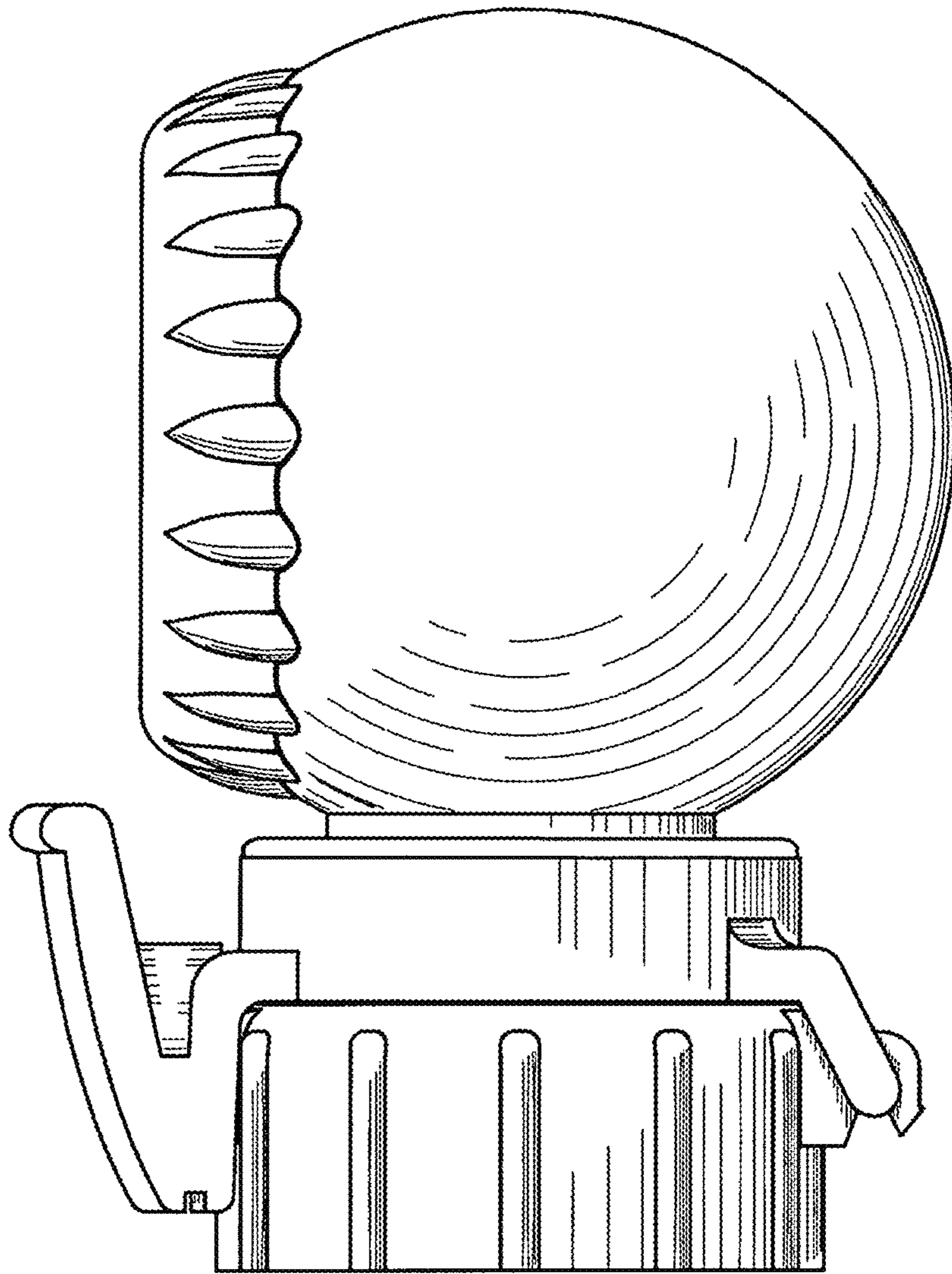


Figure 3

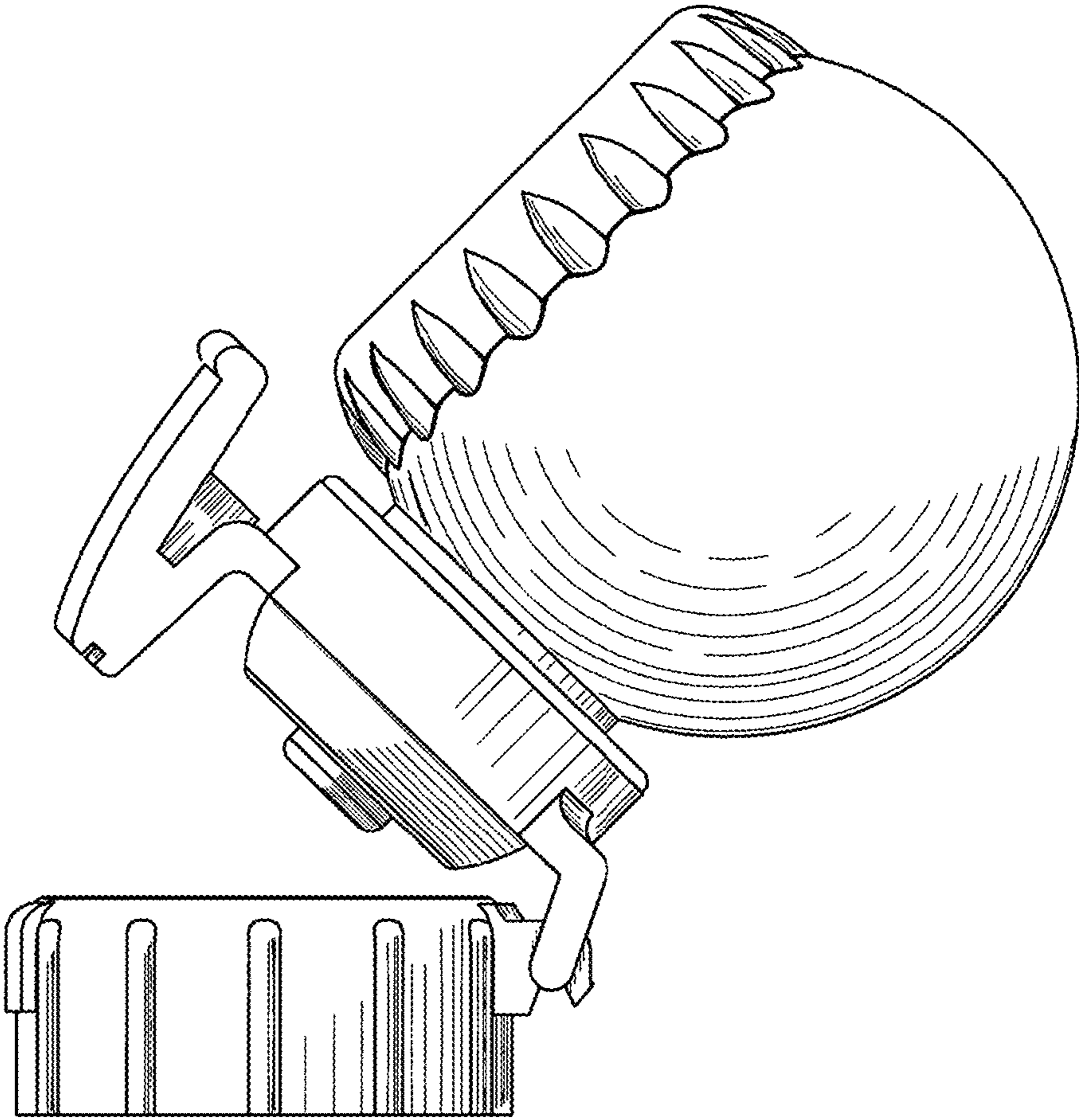


Figure 4

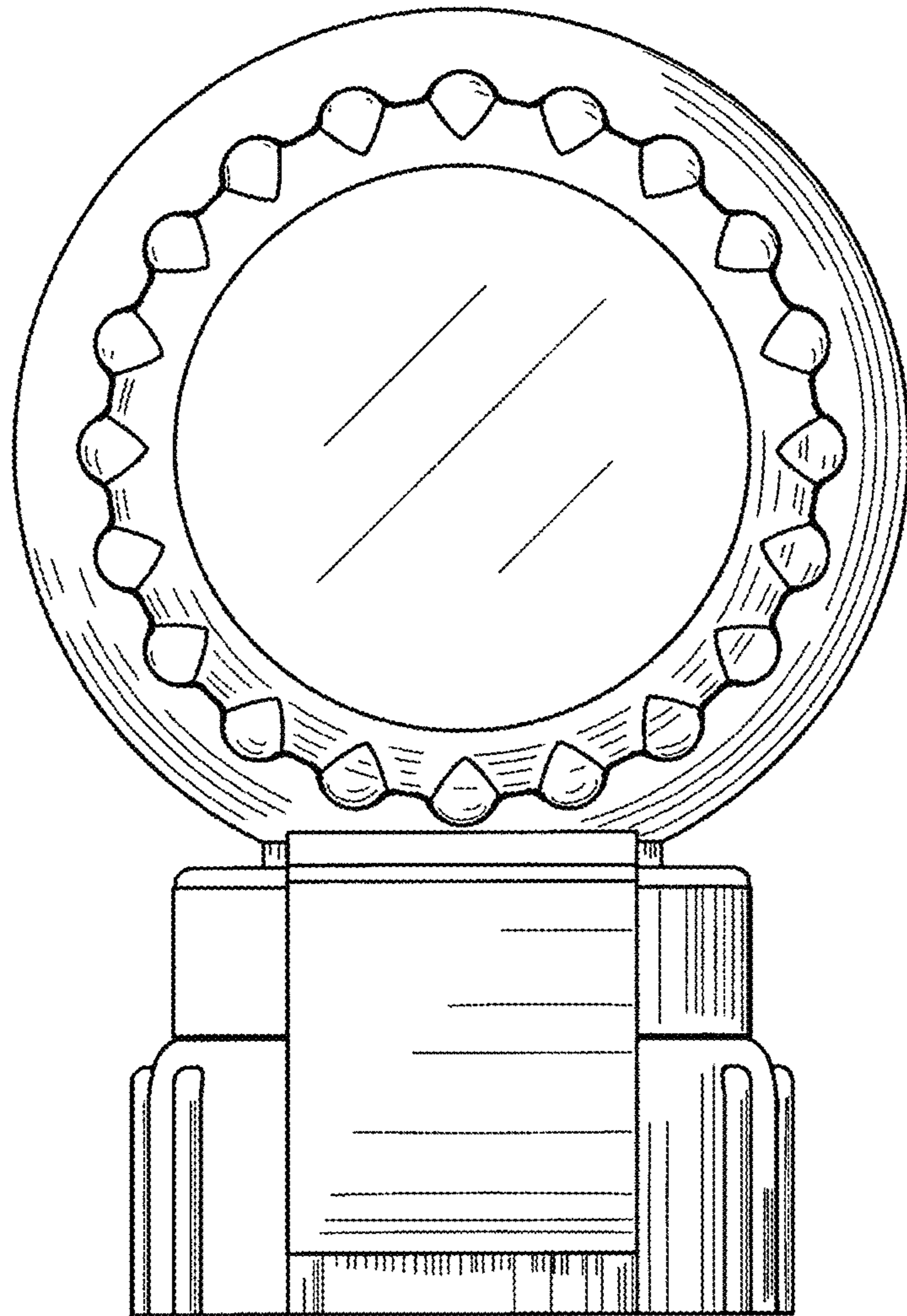


Figure 5

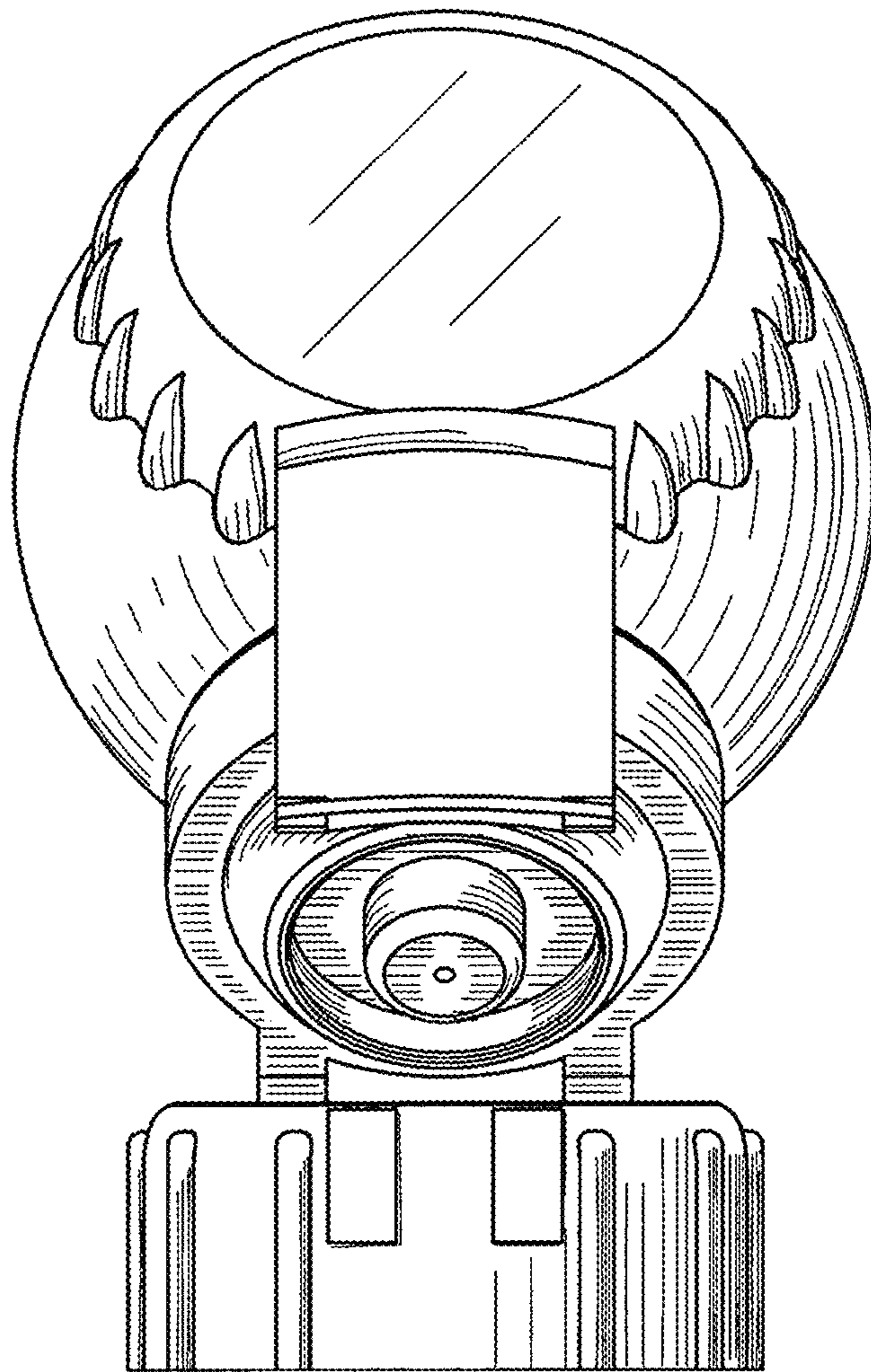


Figure 6

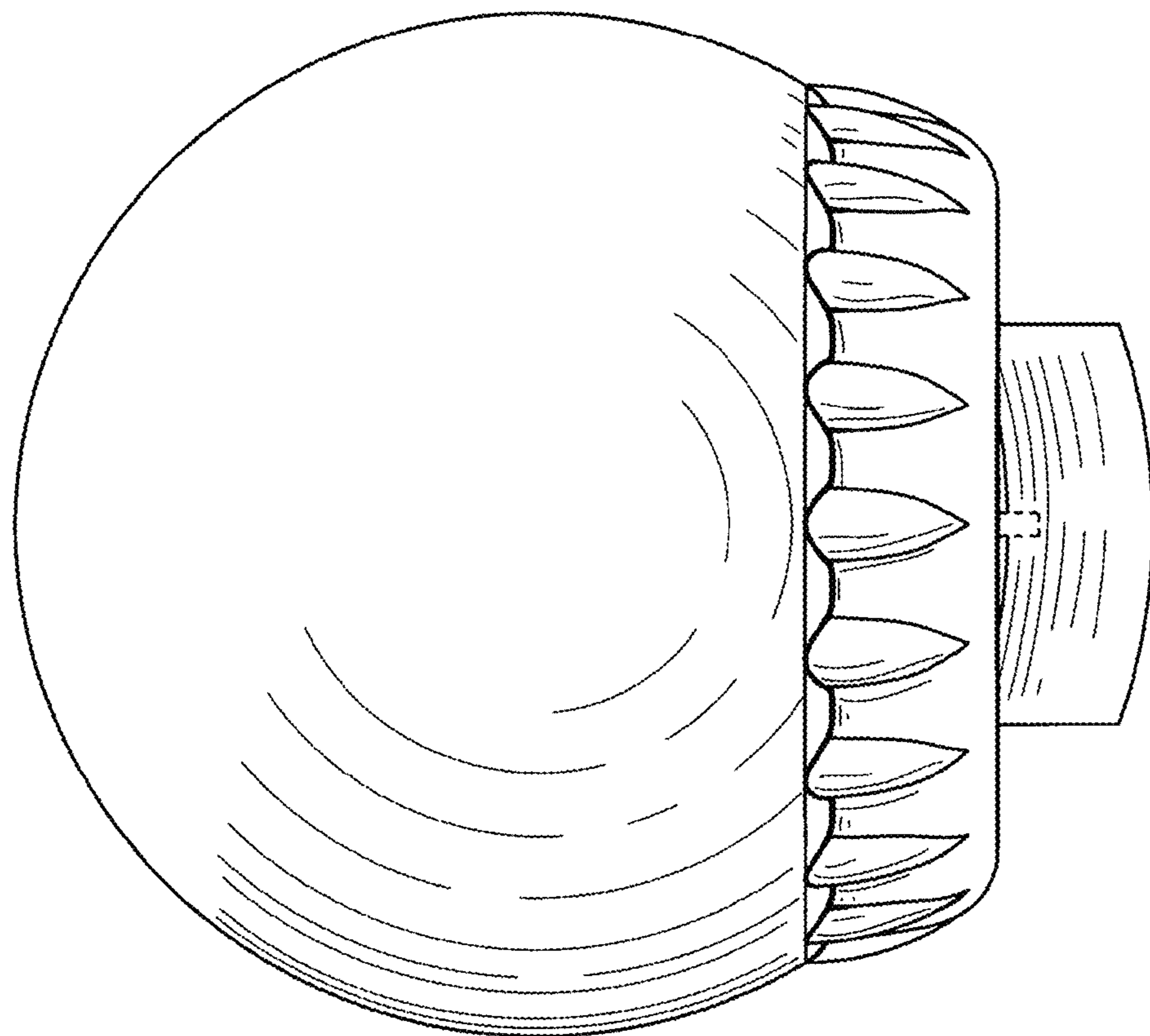


Figure 7

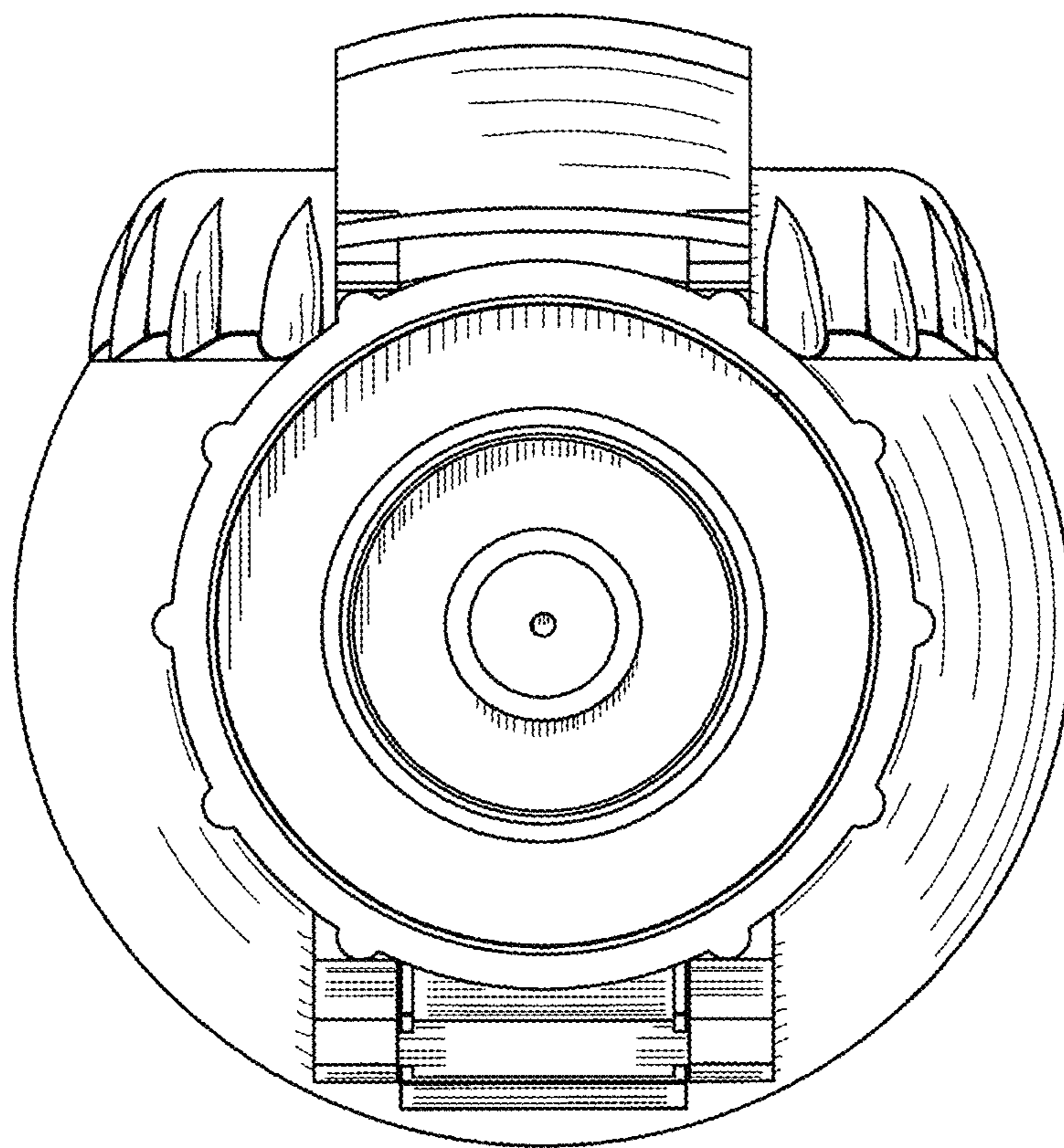


Figure 8