



US00D804300S

(12) **United States Design Patent** (10) **Patent No.:** **US D804,300 S**
Janer et al. (45) **Date of Patent:** **** Dec. 5, 2017**

(54) **CONTAINER**

(71) Applicant: **The Folger Coffee Company**, Orrville, OH (US)

(72) Inventors: **Paige Elizabeth Janer**, Fairlawn, OH (US); **Brian Eugene Eib**, Fort Wayne, IN (US)

(73) Assignee: **THE J. M. SMUCKER COMPANY**, Orrville, OH (US)

(**) Term: **15 Years**

(21) Appl. No.: **29/545,406**

(22) Filed: **Nov. 12, 2015**

(51) **LOC (10) Cl.** **09-03**

(52) **U.S. Cl.**
USPC **D9/429**

(58) **Field of Classification Search**
USPC D7/396.1, 538-545, 602, 608, 629;
D9/414, 420, 424-429, 432, 761;
(Continued)

(56) **References Cited**

U.S. PATENT DOCUMENTS

1,706,335 A 3/1929 Toch
2,005,245 A 6/1935 Stover
(Continued)

FOREIGN PATENT DOCUMENTS

NO 98/03411 1/1998
WO 2009057038 5/2009

OTHER PUBLICATIONS

Examiner's Report dated Aug. 10, 2016 in corresponding Canadian Divisional Patent Application No. 169070 (BV-010-D-0014-CA2).
(Continued)

Primary Examiner — Derrick Holland
Assistant Examiner — Janice Lim

(74) *Attorney, Agent, or Firm* — Michael A. Olshavsky; Christopher L. Smith

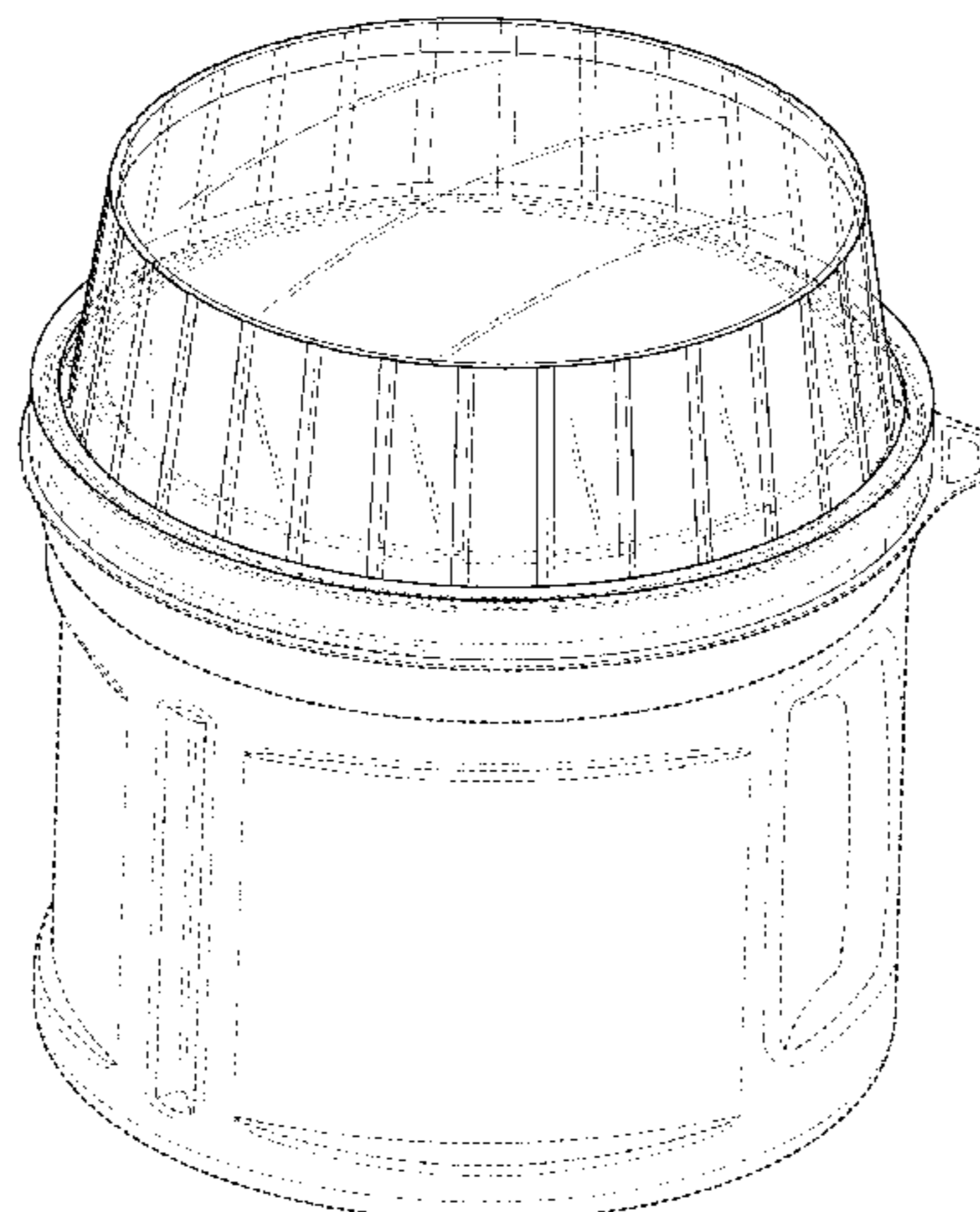
(57) **CLAIM**

The ornamental design for a container, as shown and described.

DESCRIPTION

FIG. 1 is a top, left side perspective view of embodiment one, of a container, showing our new design;
FIG. 2 is a front elevational view thereof;
FIG. 3 is a right side elevational view thereof, and the left side elevational view would be a mirror image thereof;
FIG. 4 is a rear elevational view thereof;
FIG. 5 is a top plan view thereof;
FIG. 6 is a top, left side perspective view of embodiment two, of a container, showing our new design;
FIG. 7 is a front elevational view thereof;
FIG. 8 is a right side elevational view thereof, and the left side elevational view would be a mirror image thereof;
FIG. 9 is a rear elevational view thereof;
FIG. 10 is a top plan view thereof;
FIG. 11 is a top, left side perspective view of embodiment three, of a container, showing our new design;
FIG. 12 is a front elevational view thereof;
FIG. 13 is a right side elevational view thereof, and the left side elevational view would be a mirror image thereof;
FIG. 14 is a rear elevational view thereof;
FIG. 15 is a top plan view thereof;
FIG. 16 is a top, left side perspective view of embodiment four, of a container, showing our new design;
FIG. 17 is a front elevational view thereof;
FIG. 18 is a right side elevational view thereof, and the left side elevational view would be a mirror image thereof;
FIG. 19 is a rear elevational view thereof;
FIG. 20 is a top plan view thereof;
FIG. 21 is a top, left side perspective view of embodiment five, of a container, showing our new design;
FIG. 22 is a front elevational view thereof;
FIG. 23 is a right side elevational view thereof, and the left side elevational view would be a mirror image thereof;
FIG. 24 is a rear elevational view thereof; and,
FIG. 25 is a top plan view thereof.

(Continued)



The broken line portions are included to show unclaimed subject matter only and form no part of the claimed design.

1 Claim, 25 Drawing Sheets

(58) Field of Classification Search

USPC 206/501–509, 512; 220/4.23–4.24, 23.86,
220/780, 781, 791–793, 835, 839
CPC B65D 43/03; B65D 43/16; B65D 1/24;
B65D 25/04
See application file for complete search history.

(56) References Cited

U.S. PATENT DOCUMENTS

2,326,414	A	8/1943	Thompson
2,514,573	A	7/1950	Hartley
2,527,919	A	10/1950	Drangle
2,689,566	A	9/1954	Lockhart
2,899,096	A	8/1959	Henchert
2,917,216	A	12/1959	Despres
2,963,194	A	12/1960	Brennan et al.
D199,037	S *	9/1964	Jackson D7/318
3,182,890	A	5/1965	Elam
3,310,195	A	3/1967	Wagner et al.
3,314,563	A	4/1967	Mounier
3,321,097	A	5/1967	Solowey
3,464,414	A	9/1969	Sponnoble
3,482,729	A	12/1969	Penton
3,537,610	A	11/1970	Bilon
3,541,029	A	11/1970	Bowman
3,542,236	A	11/1970	Rene
3,589,272	A	6/1971	Bouladon et al.
3,605,374	A	9/1971	Mueller et al.
3,720,524	A	3/1973	Nakagami
3,746,158	A	7/1973	Connick
3,768,688	A	10/1973	Linke
3,779,371	A	12/1973	Rovinski
3,779,372	A	12/1973	De Lloret
3,832,950	A	9/1974	Hurst
3,837,526	A	9/1974	Medendorp
3,851,757	A	12/1974	Turpin
3,954,178	A	5/1976	Mason, Jr.
3,967,731	A	7/1976	Boduch
4,114,784	A	9/1978	Hough et al.
4,234,097	A	11/1980	Daenen
4,248,901	A	2/1981	Austin
4,311,238	A	1/1982	Smith
4,333,581	A	6/1982	Flansburg
4,348,421	A	9/1982	Sakakibara et al.
4,373,633	A	2/1983	Lutz, Sr.
4,386,109	A	5/1983	Bowen et al.
4,444,324	A	4/1984	Grenell

4,465,190	A	8/1984	Cillario
4,522,298	A	6/1985	Weinberger
4,538,740	A	9/1985	Petersen, Jr.
4,574,174	A	3/1986	McGonigle
4,634,003	A	1/1987	Ueda et al.
D289,377	S *	4/1987	Ashby D9/529
4,711,356	A	12/1987	Dunden
4,874,083	A *	10/1989	Antoni B65D 1/36 206/557
4,883,935	A	11/1989	Fairchild et al.
4,961,495	A	10/1990	Yoshida et al.
5,060,814	A	10/1991	Oglesbee
5,141,126	A	8/1992	Takata et al.
D331,879	S *	12/1992	Curzon D9/549
5,209,348	A	5/1993	Schafer, III
5,222,813	A	6/1993	Kopp et al.
5,312,634	A	5/1994	Griesbach et al.
5,447,236	A	9/1995	Perry et al.
5,529,794	A	6/1996	Fultz
D374,820	S *	10/1996	Knoss D7/610
D375,198	S *	11/1996	Tashiro D3/273
D389,061	S *	1/1998	Ebrahim D7/392.1
5,718,933	A	2/1998	Fultz
D433,334	S *	11/2000	Hayes D9/452
D442,864	S	5/2001	Davies
6,766,902	B1	7/2004	Hartelius
D496,832	S *	10/2004	Ekhtebar D7/610
D500,679	S *	1/2005	Walsh D9/522
7,004,315	B2	2/2006	Gordon et al.
7,169,418	B2	1/2007	Dalton et al.
7,169,419	B2	1/2007	Dalton et al.
7,243,788	B2	7/2007	Schmidt et al.
D664,033	S *	7/2012	Liang D9/428
D674,689	S *	1/2013	Chen D9/429
D680,861	S *	4/2013	Chen D9/429
2002/0168453	A1	11/2002	McCutchan
2005/0045642	A1	3/2005	Vance
2005/0178677	A1	8/2005	Morrow
2005/0236413	A1	10/2005	Maciag et al.
2006/0180646	A1 *	8/2006	Littlejohn B65D 1/34 229/406
2008/0083758	A1	4/2008	Blendell et al.
2009/0114650	A1	5/2009	Houston, Jr.

OTHER PUBLICATIONS

Examiner's Report dated Feb. 19, 2016 in corresponding Canadian Patent Application No. 165875 (6740).
Examiner's Report dated Aug. 8, 2016 in corresponding Canadian Patent Application No. 165875 (6740).
Non-final Office Action dated Mar. 24, 2017 in corresponding U.S. Appl. No. 14/724,271 (6723).
International Search Report dated Apr. 15, 2009 in related International Patent Application No. PCT/IB2008/054437 (5617).

* cited by examiner

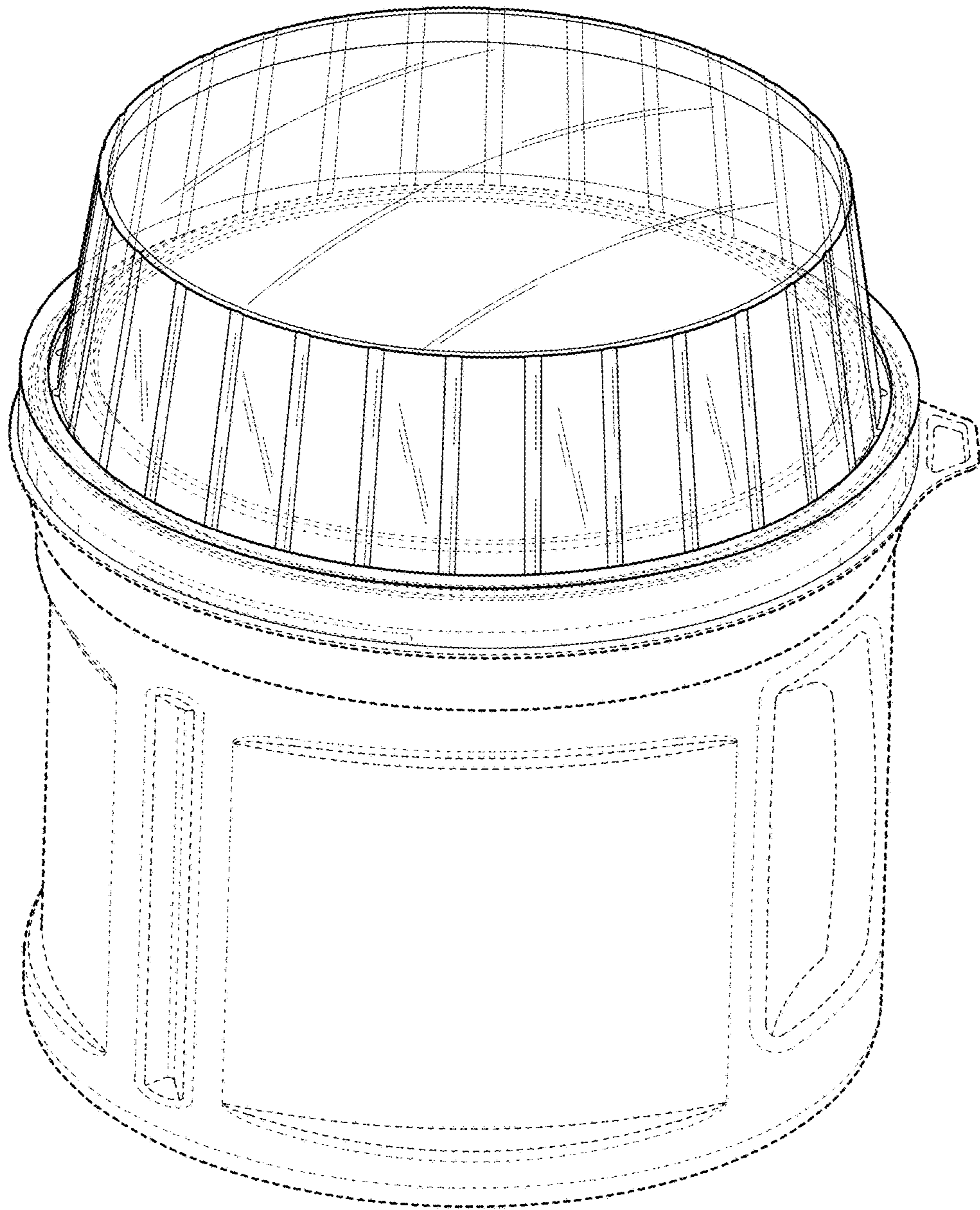


FIG. 1

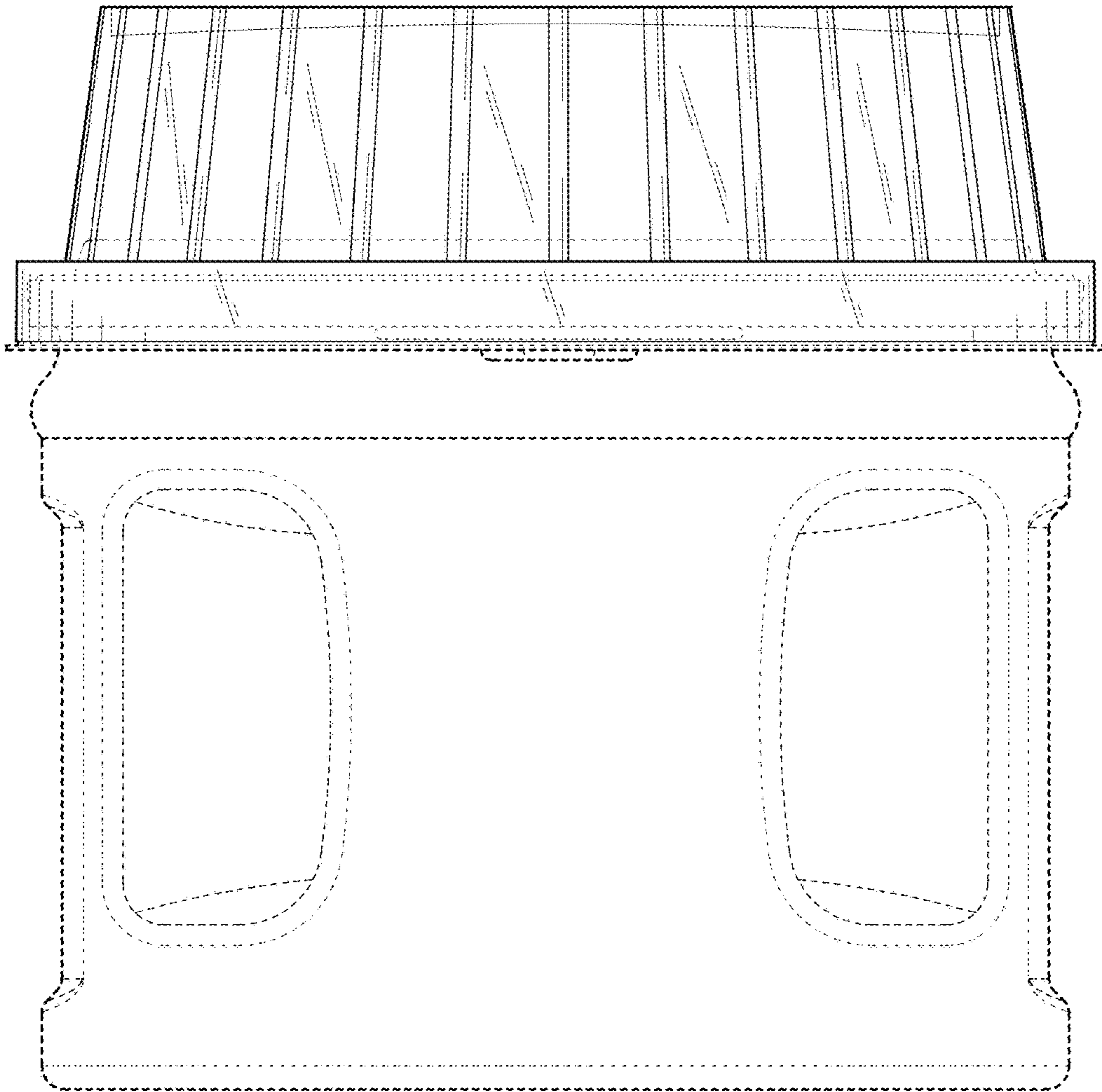


FIG. 2

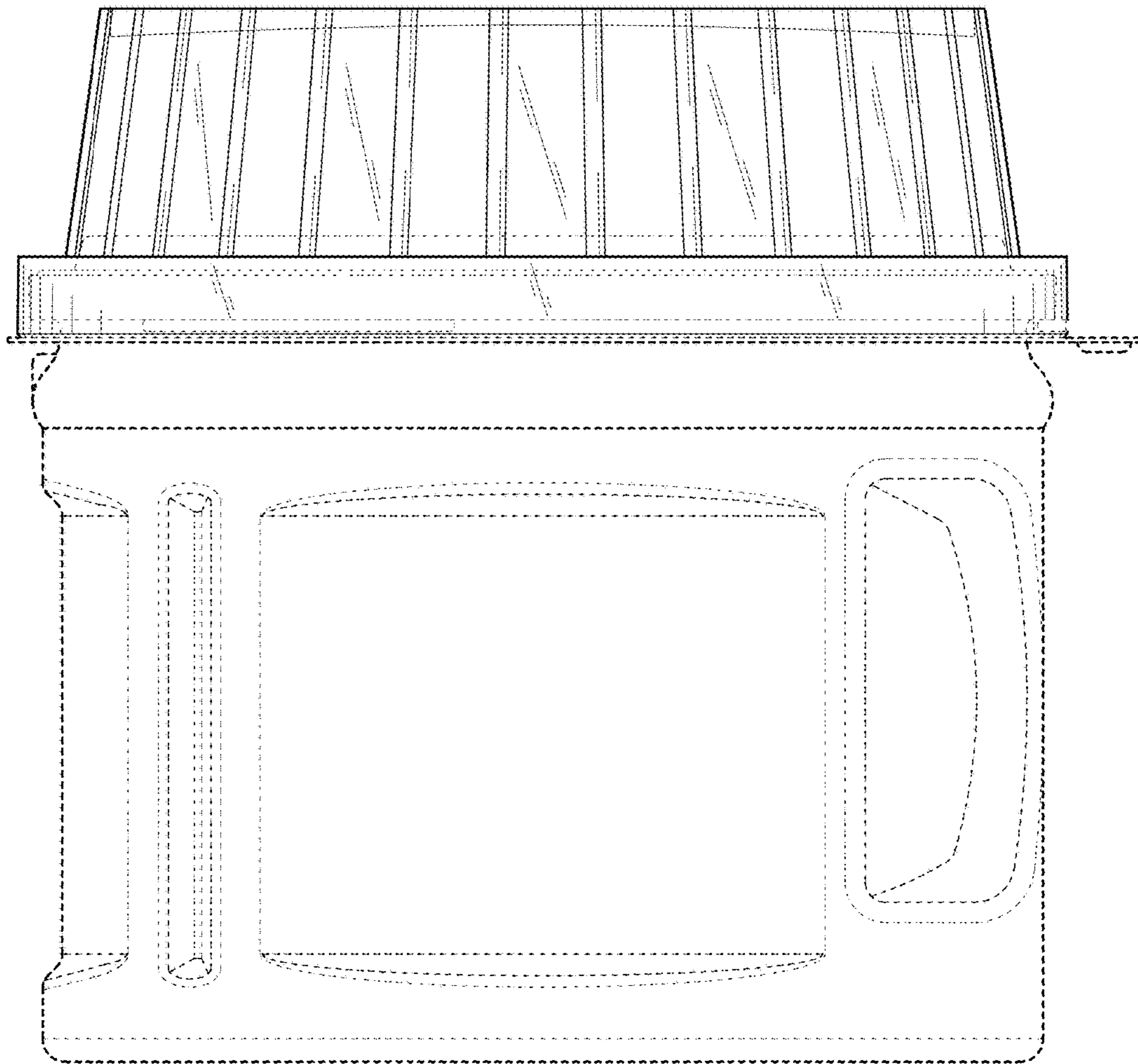


FIG. 3

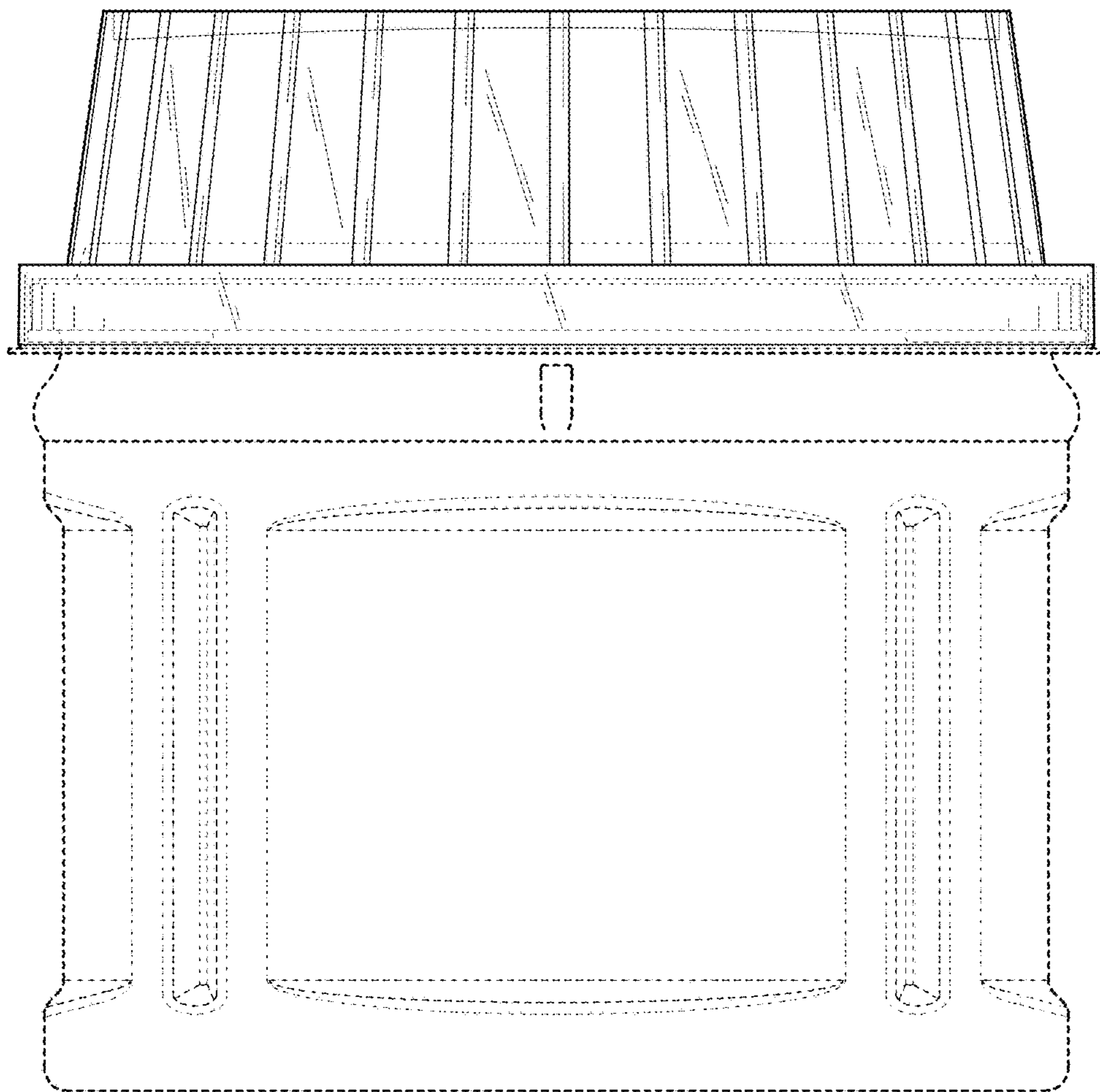


FIG. 4

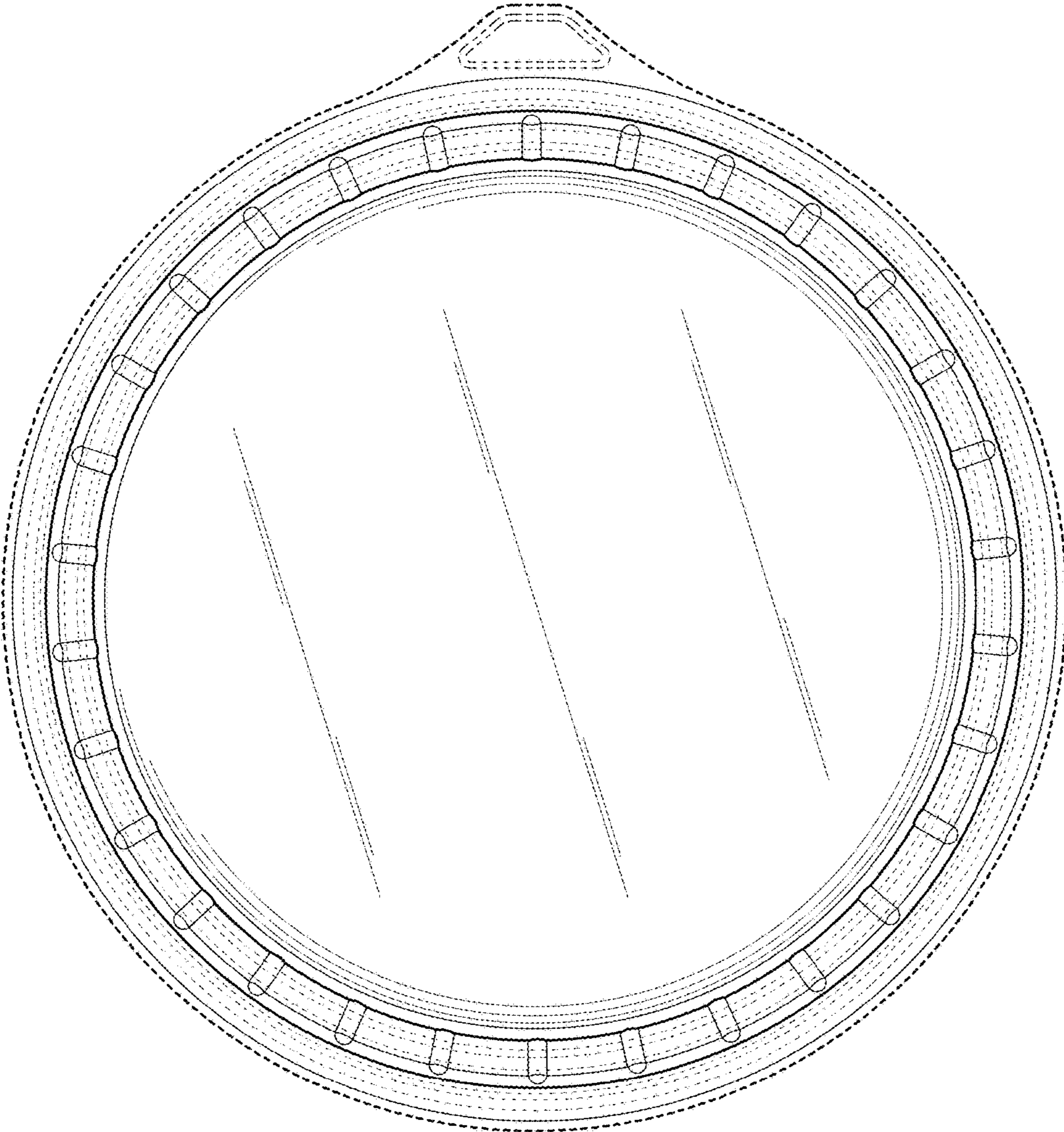


FIG. 5

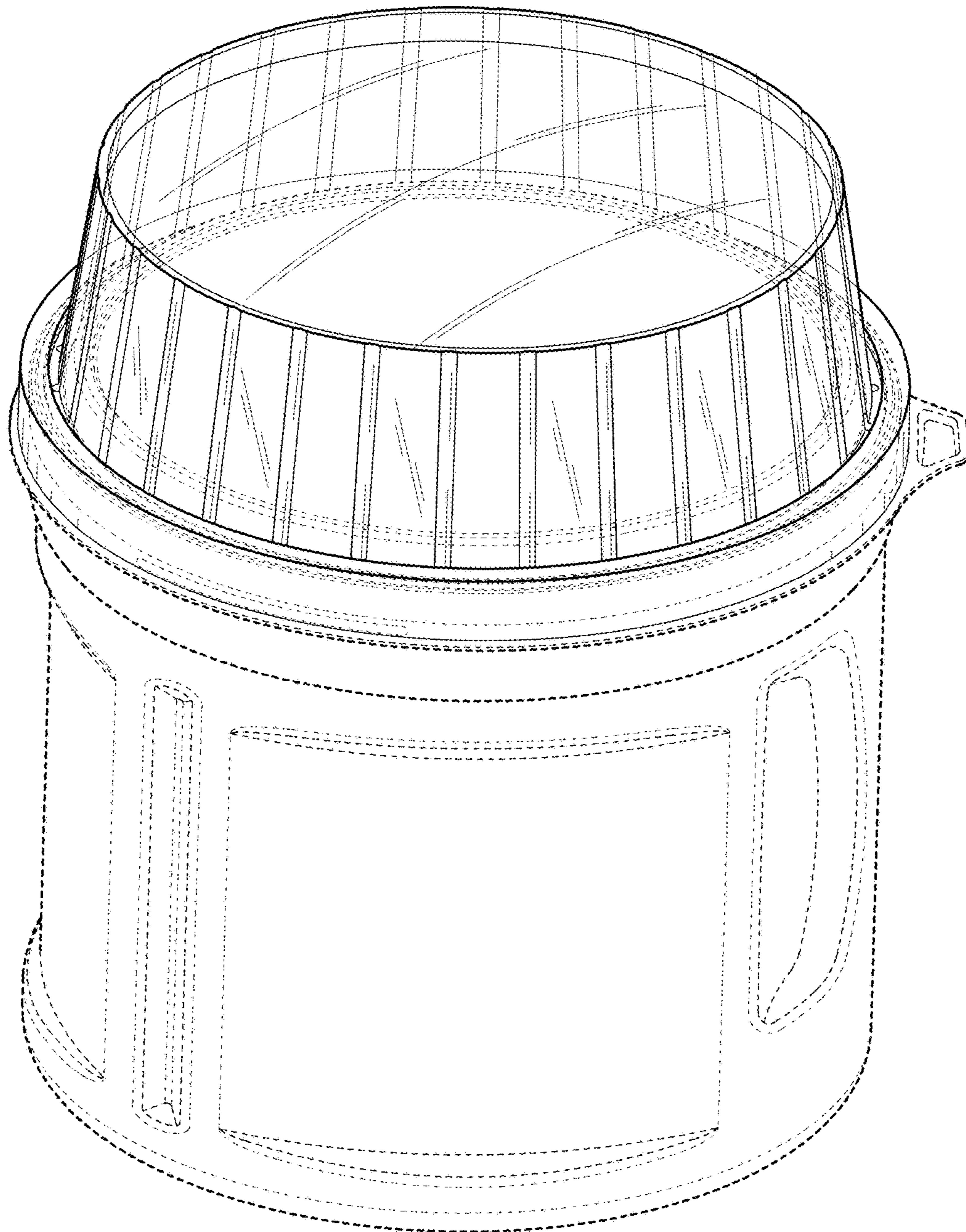


FIG. 6

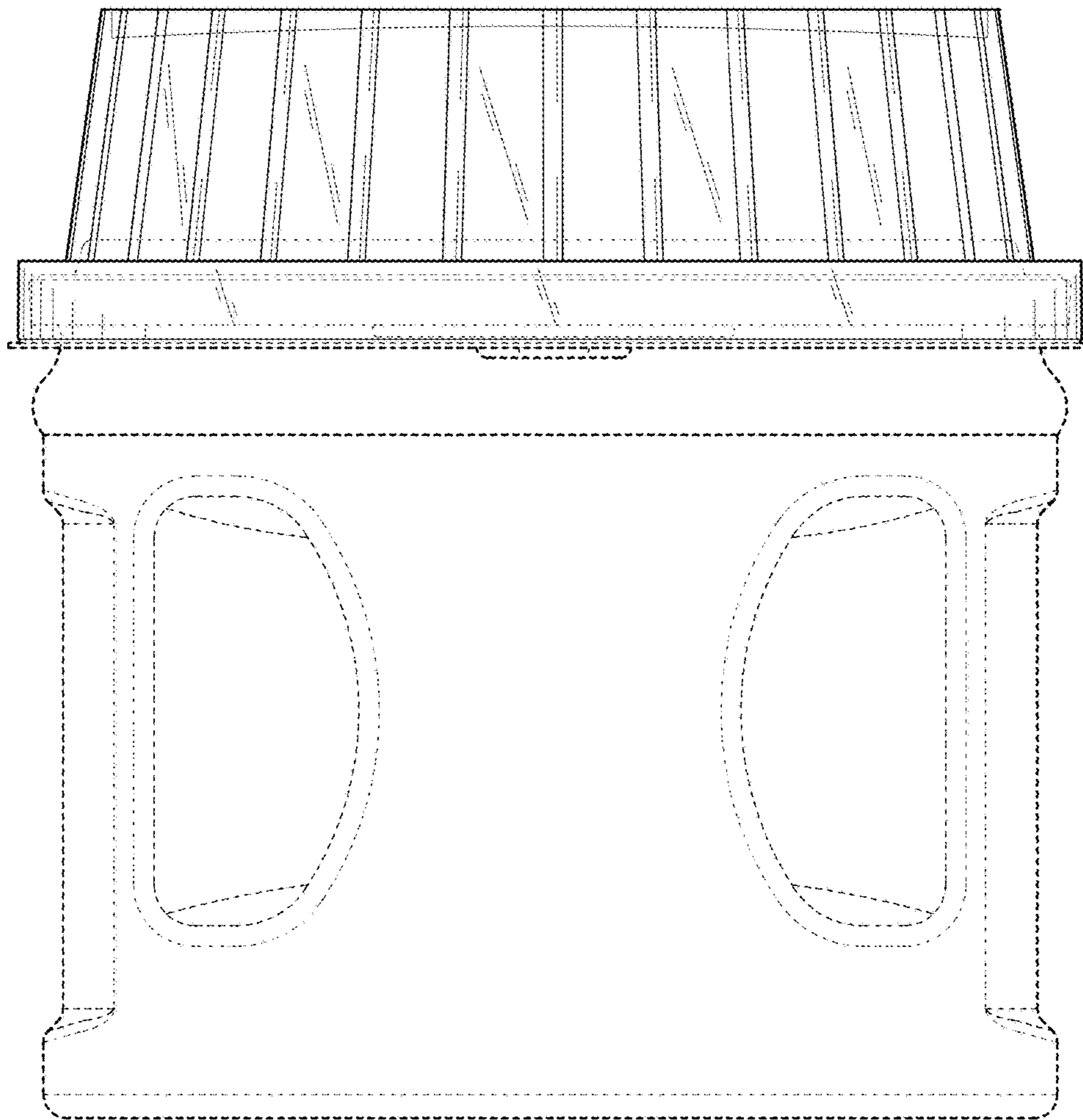


FIG. 7

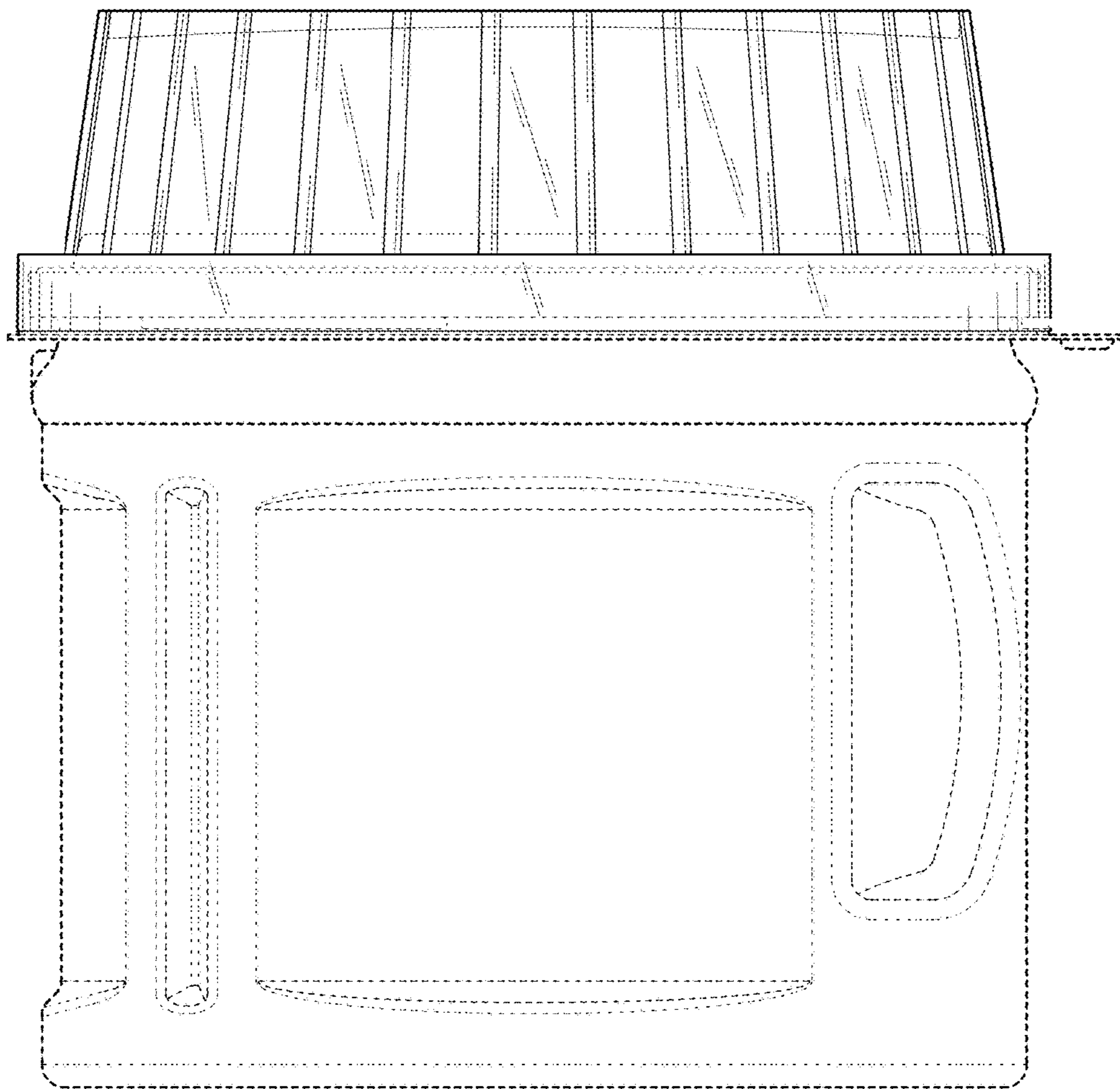


FIG. 8

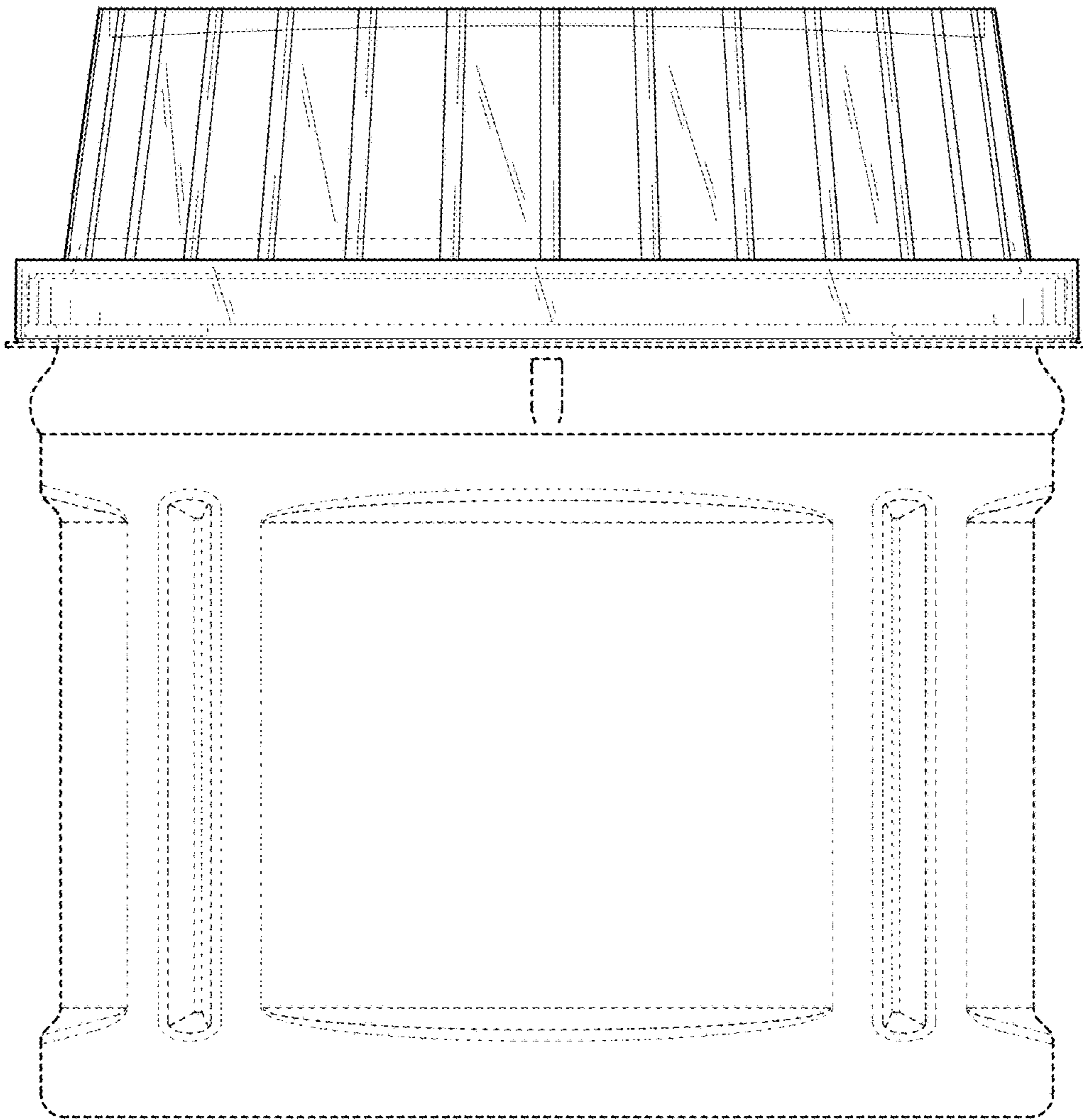


FIG. 9

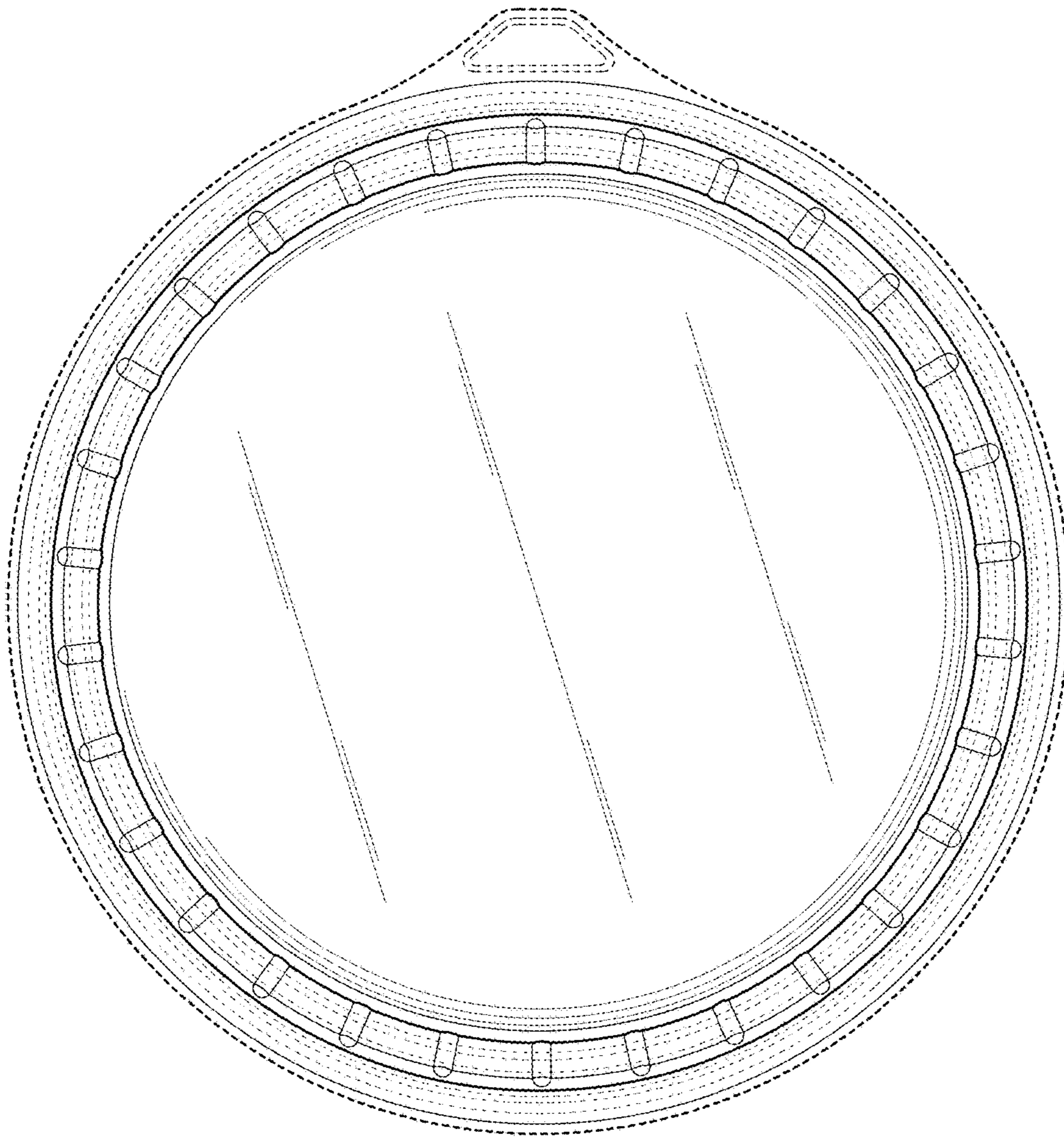


FIG. 10

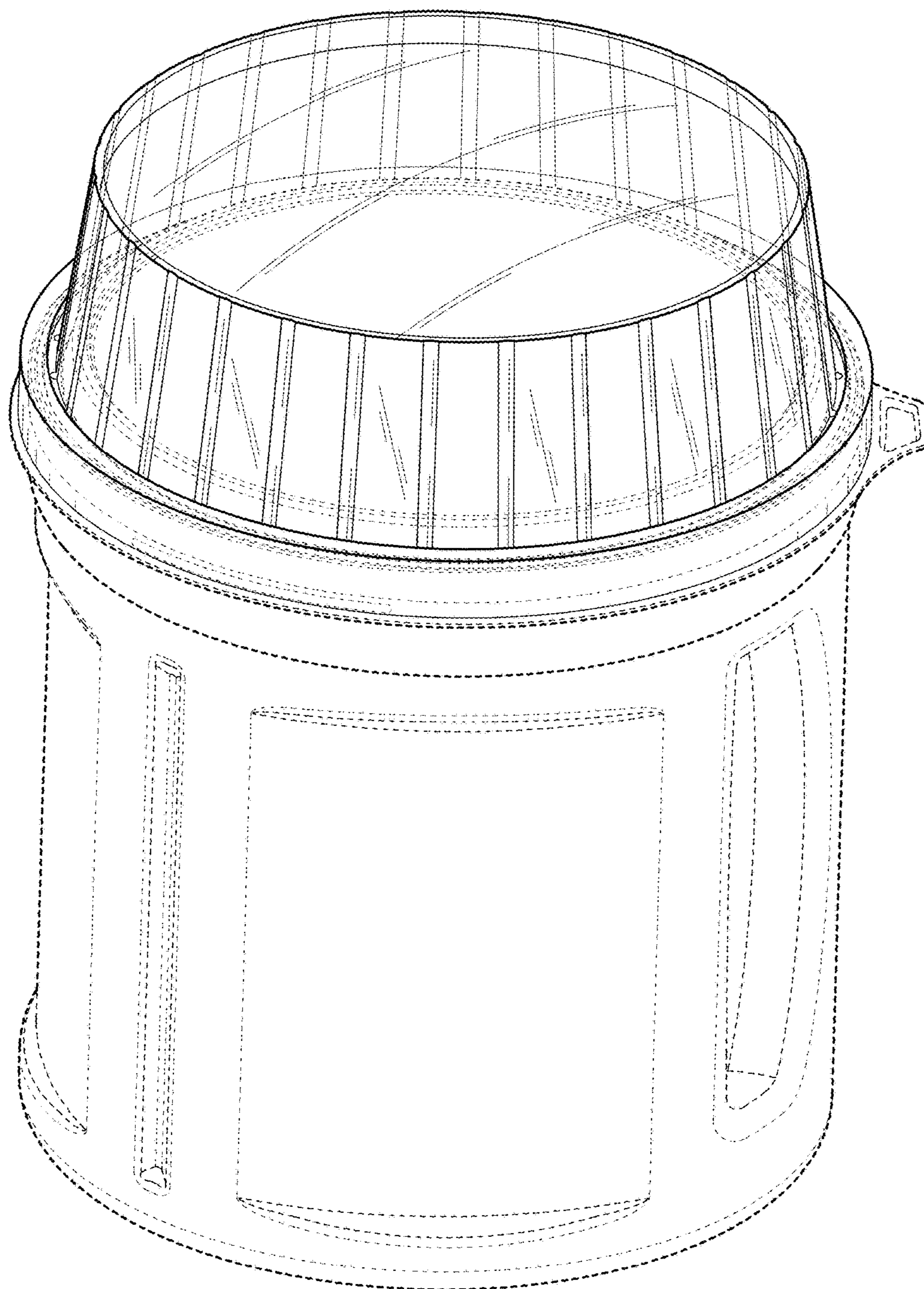


FIG. 11

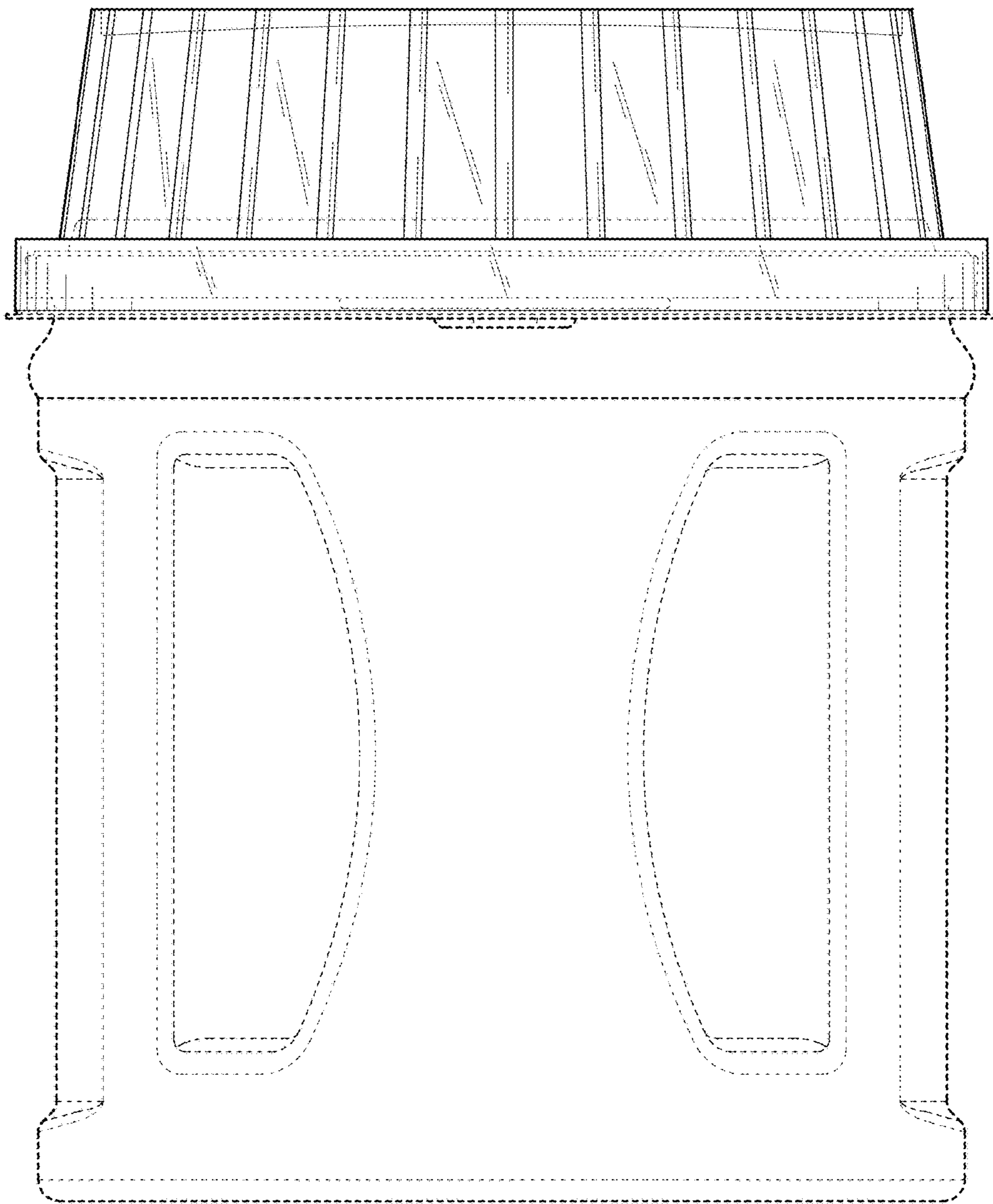


FIG. 12

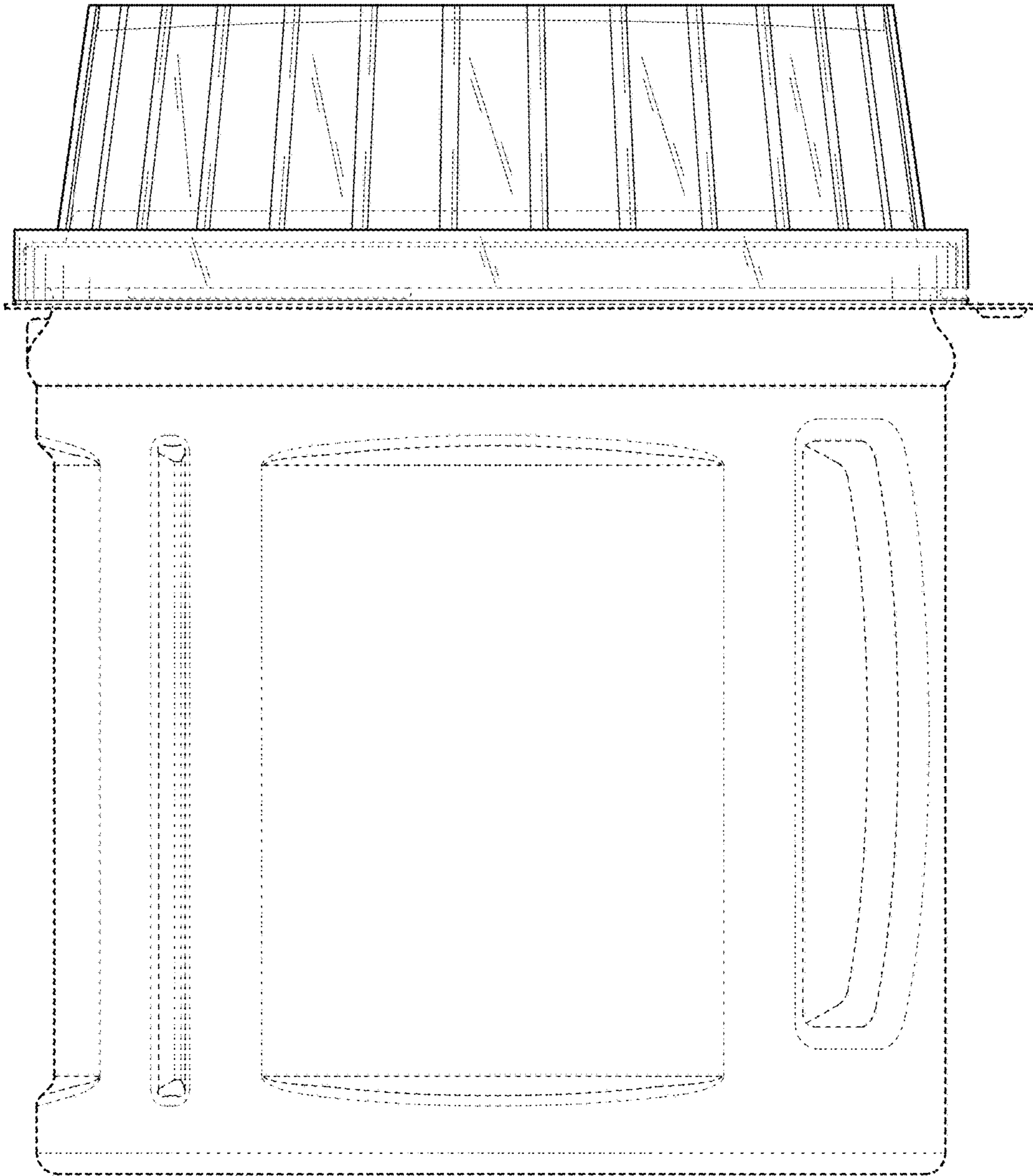


FIG. 13

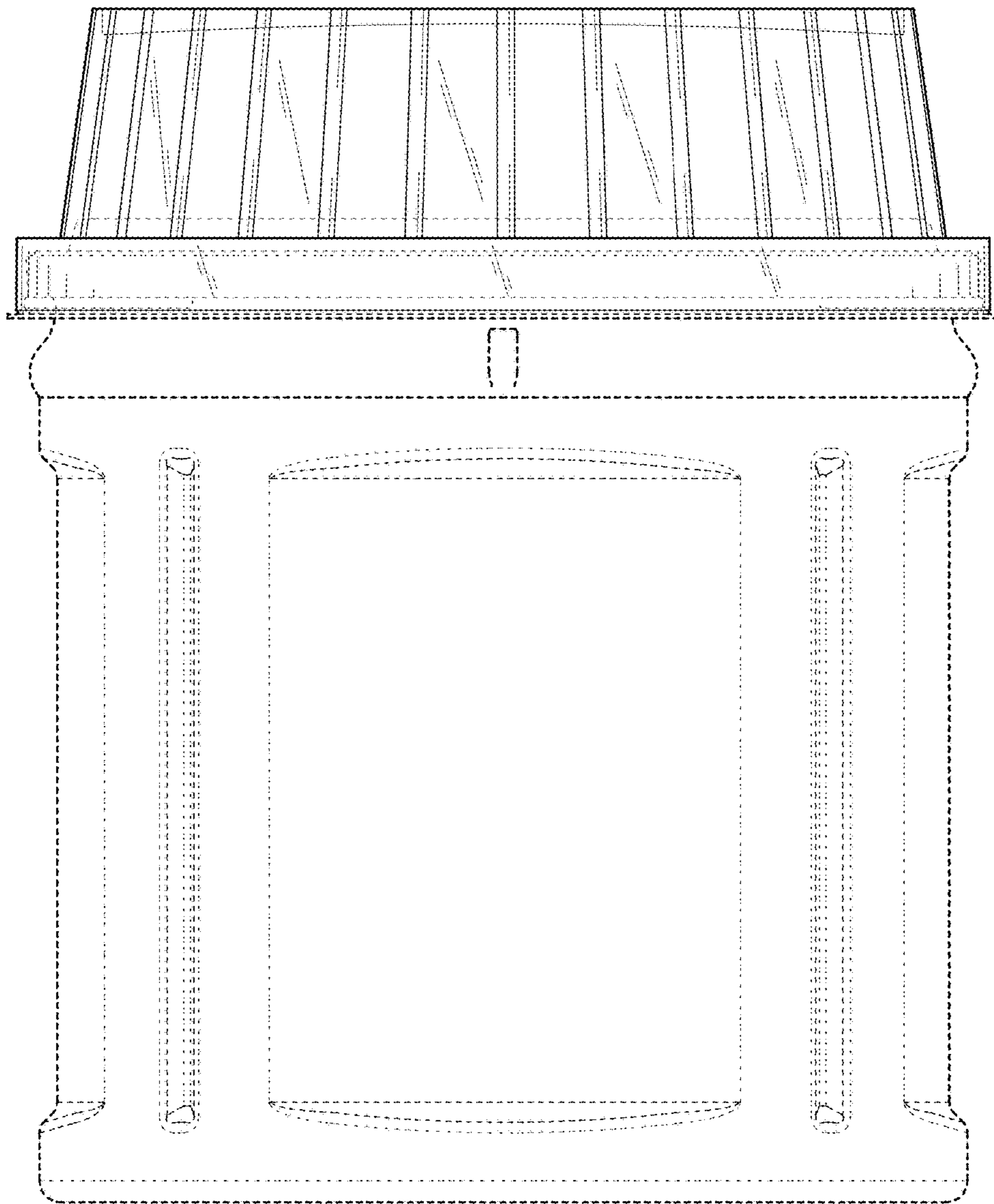


FIG. 14

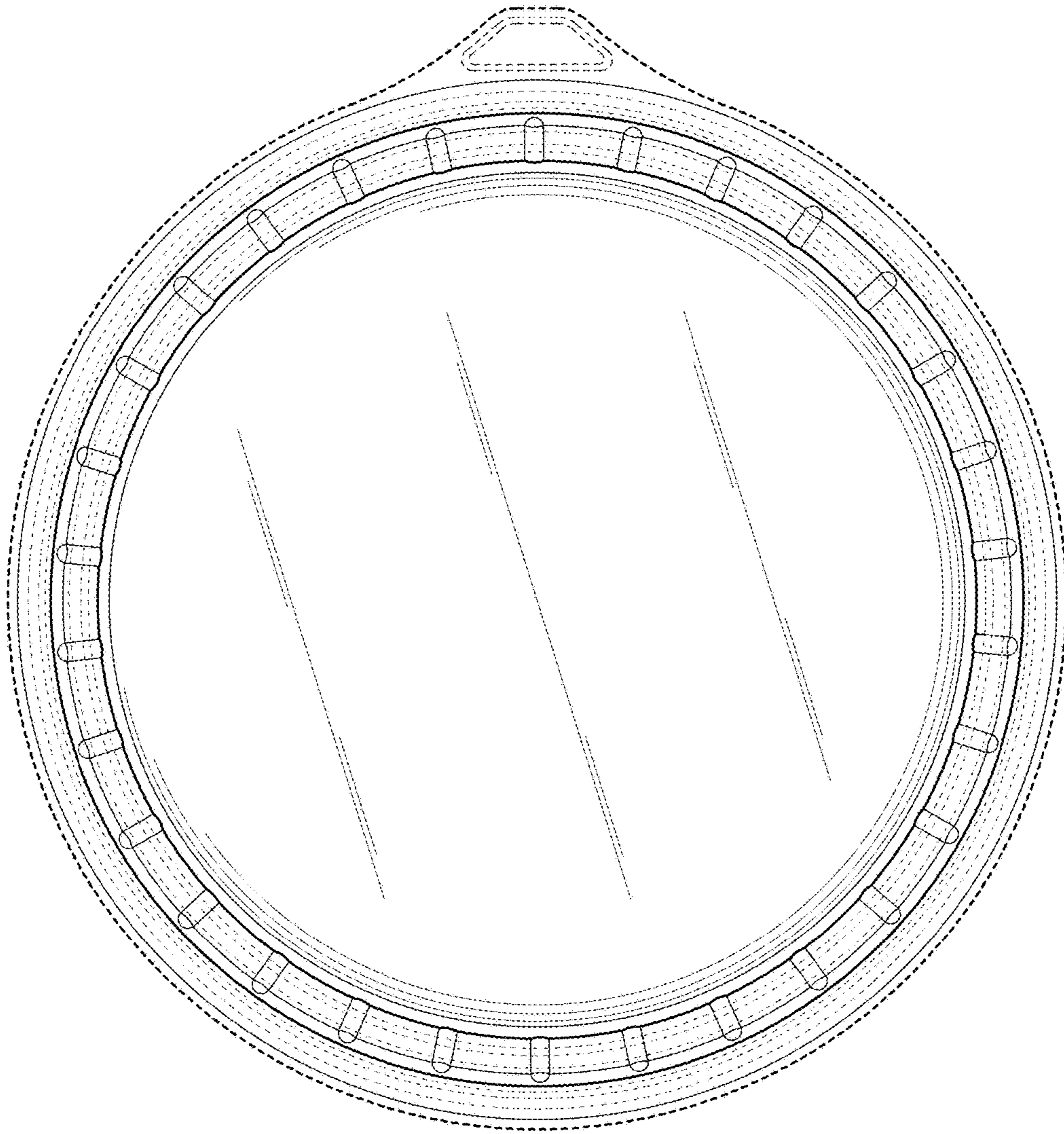


FIG. 15

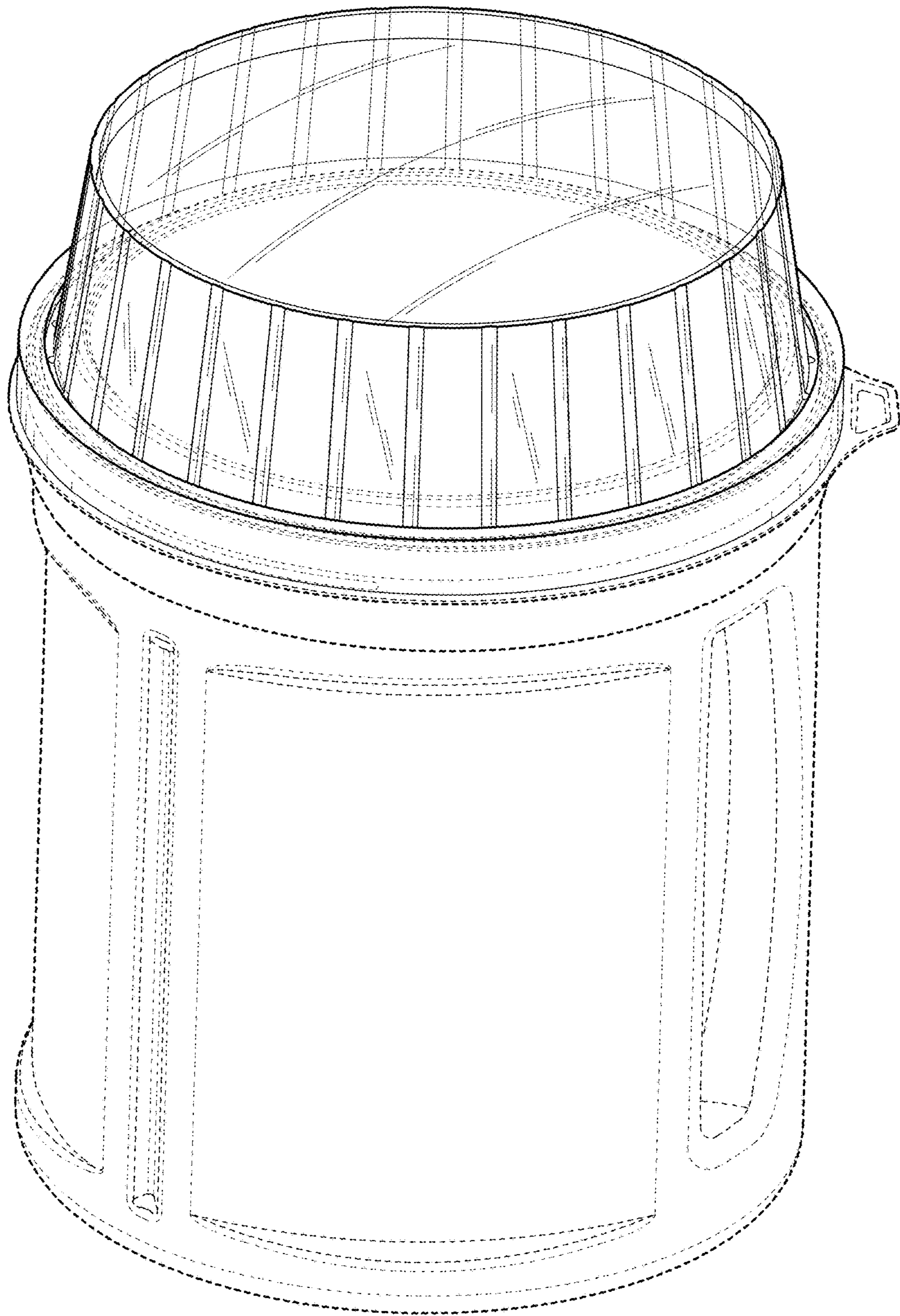


FIG. 16

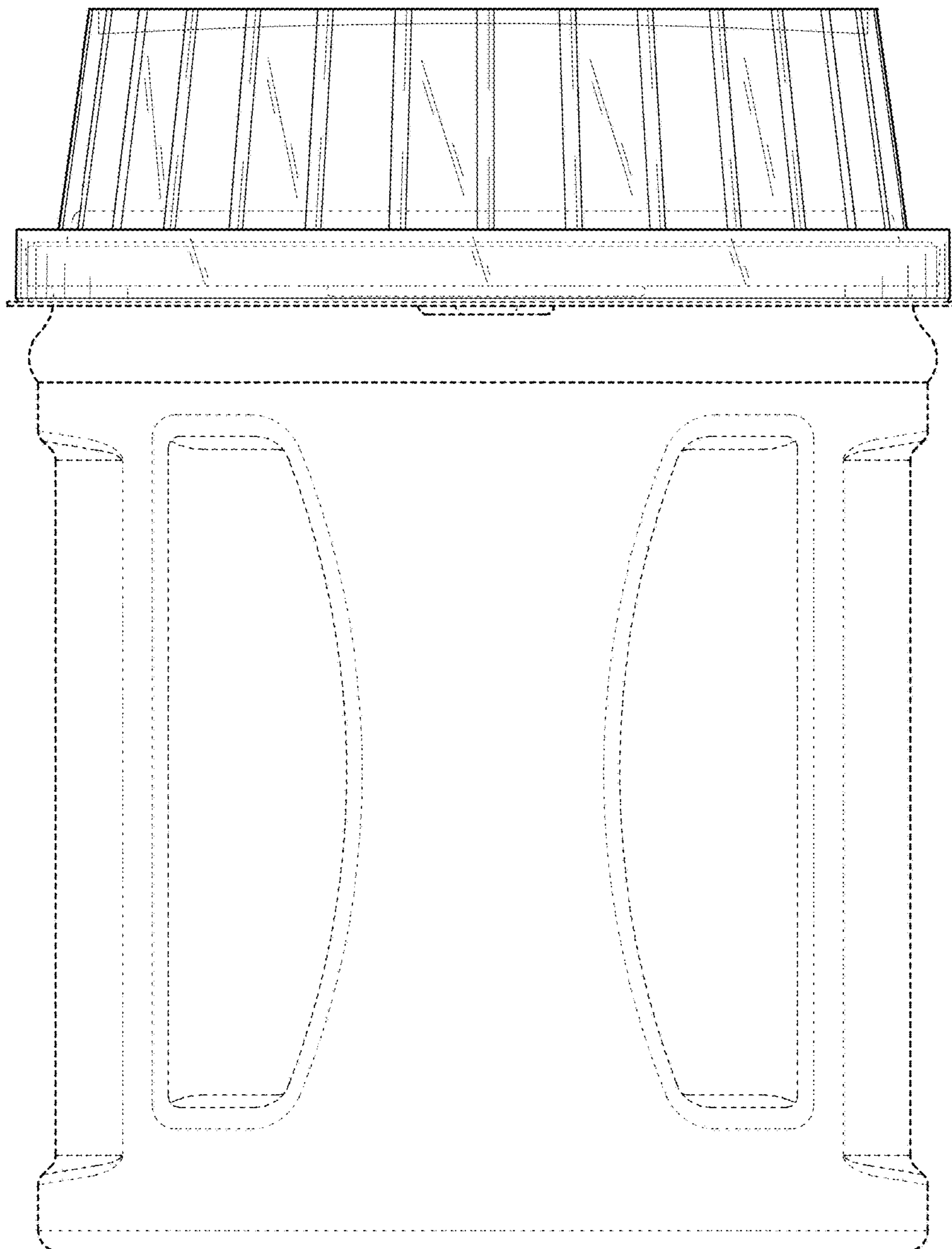


FIG. 17

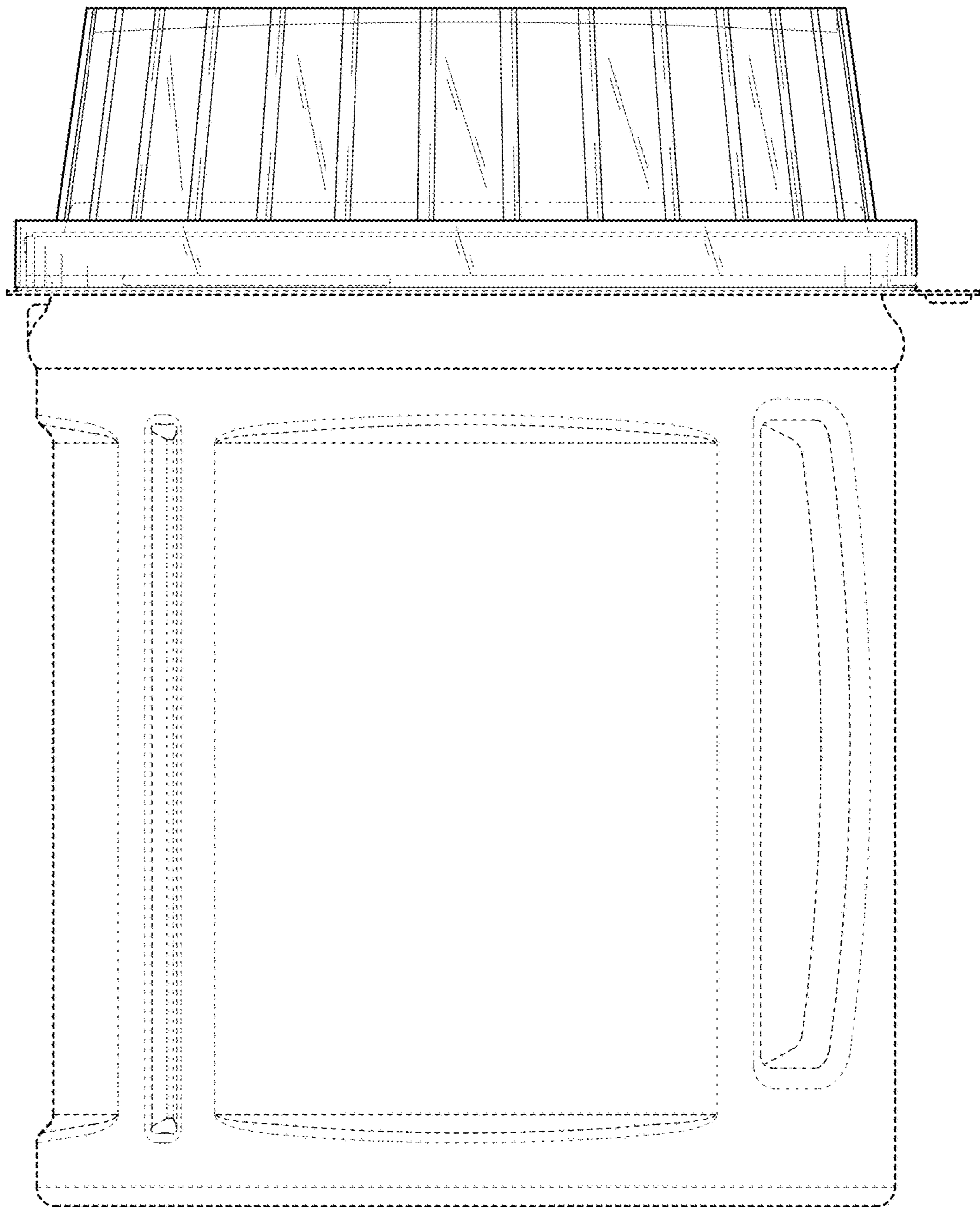


FIG. 18

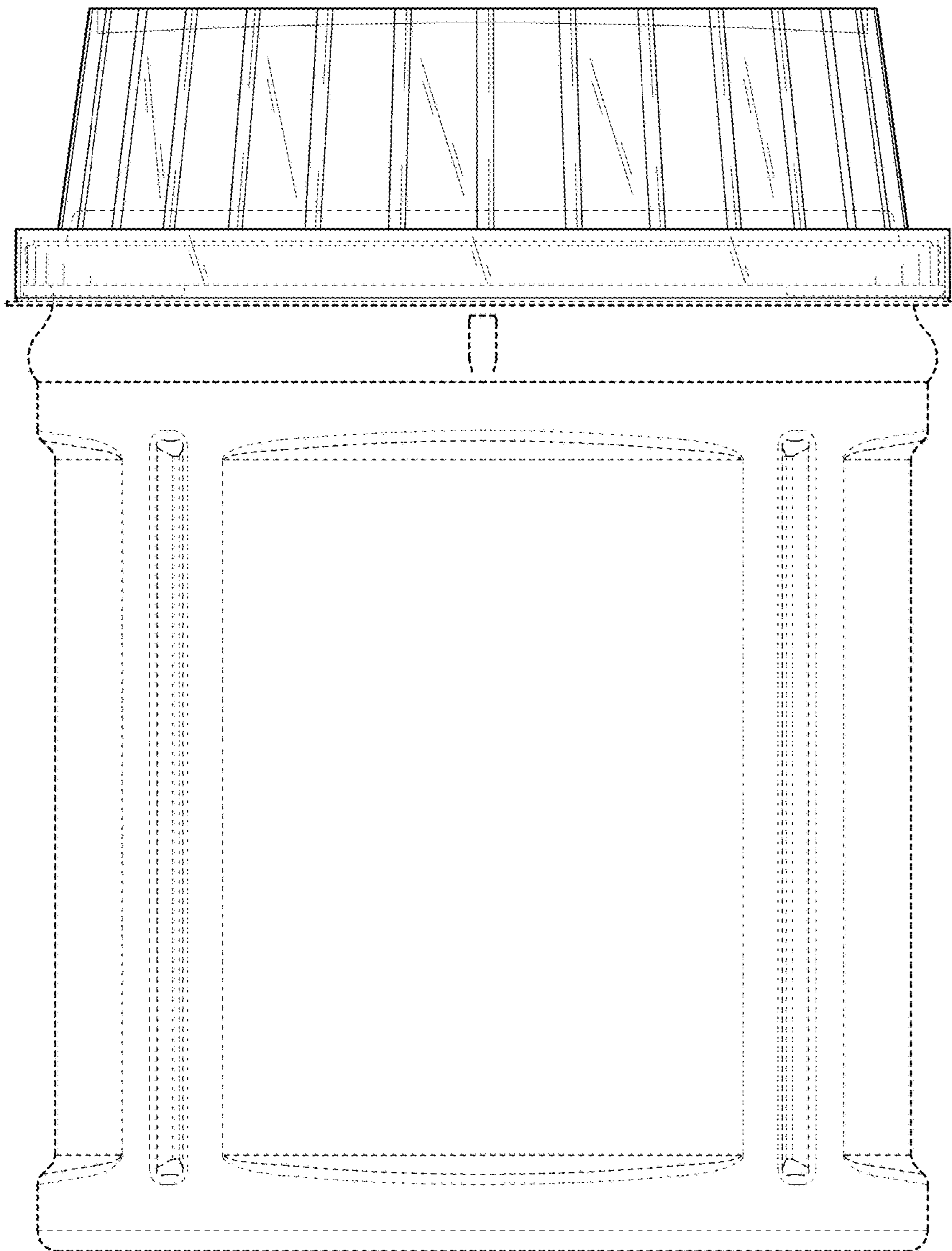


FIG. 19

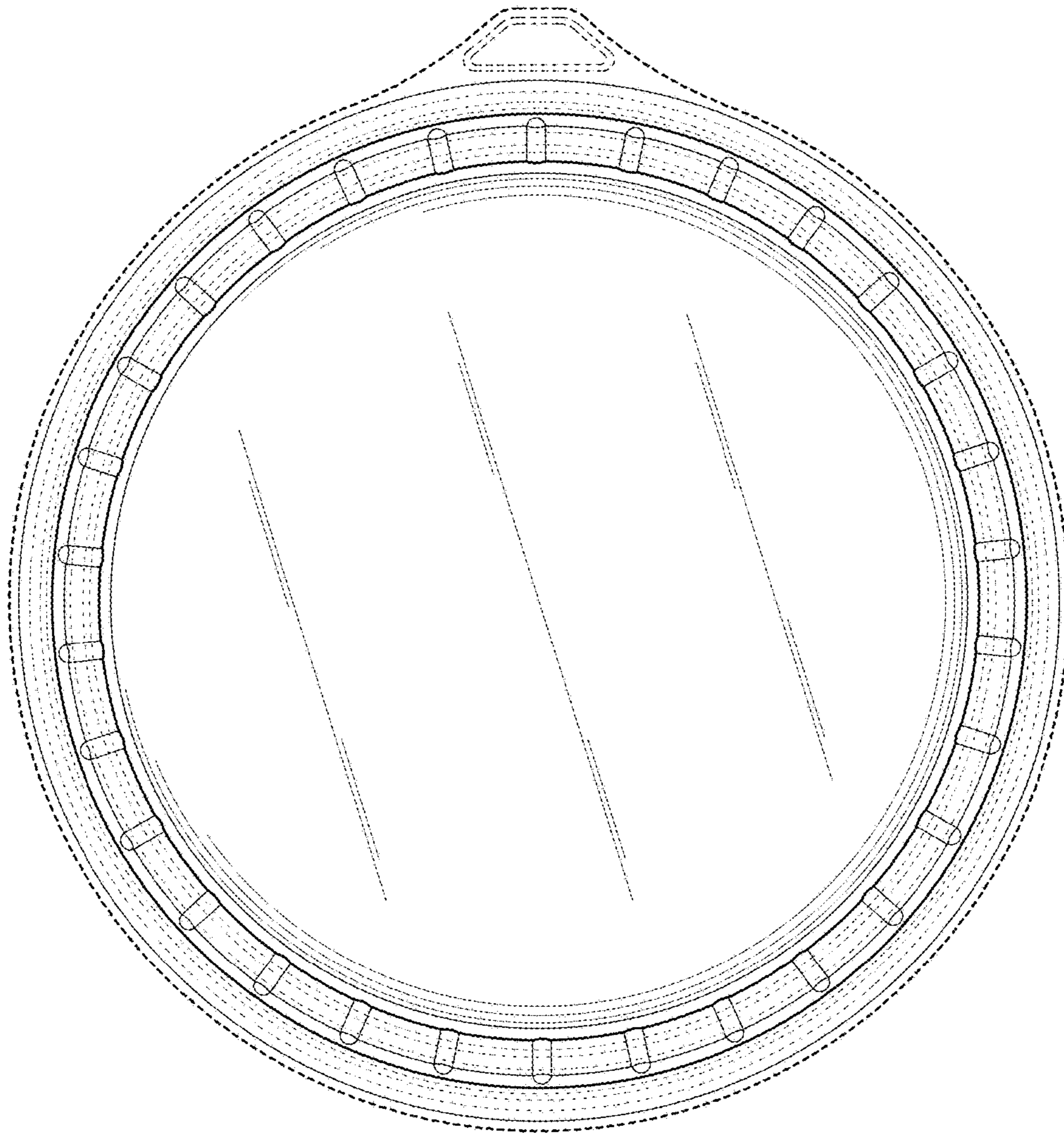


FIG. 20

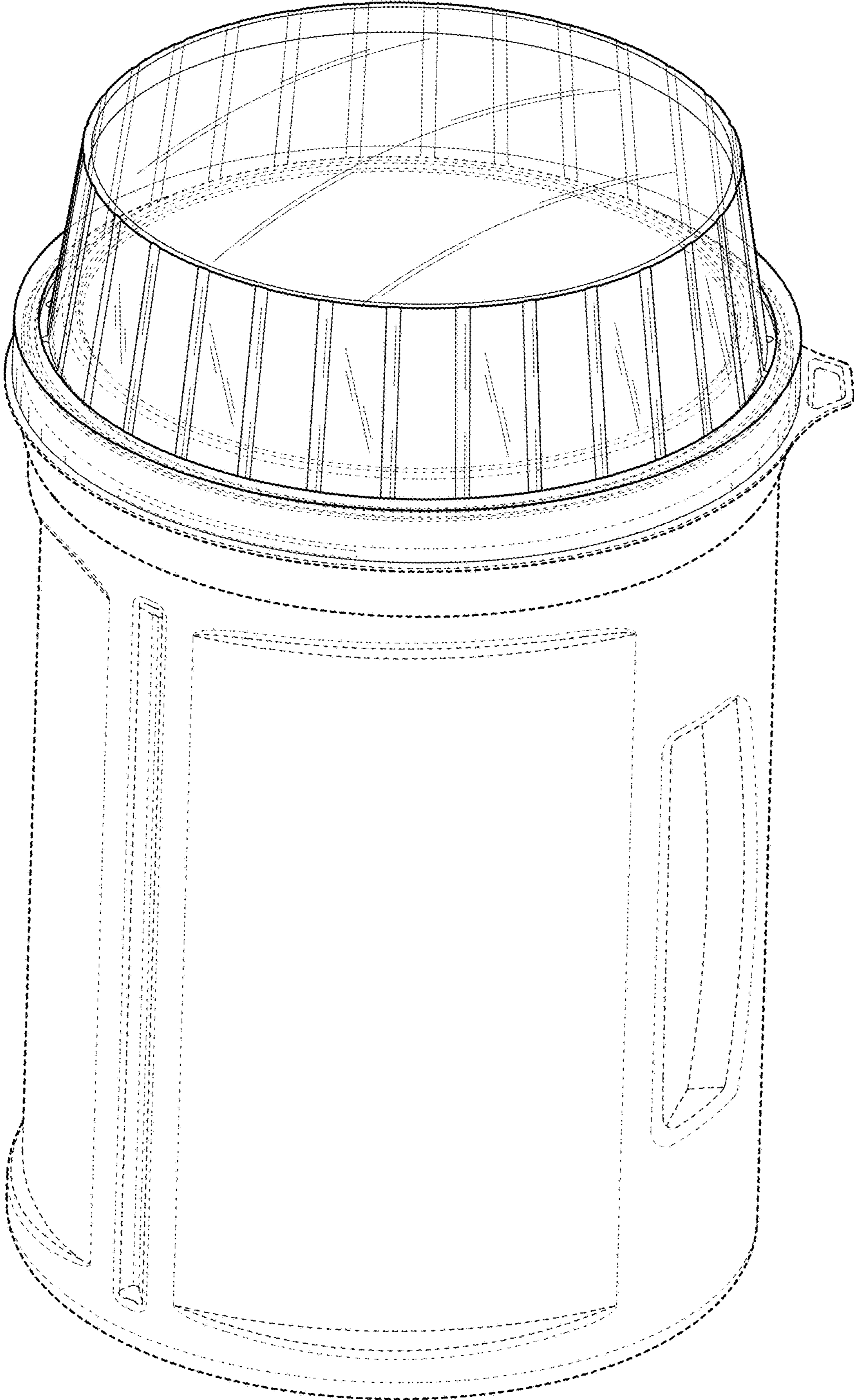


FIG. 21

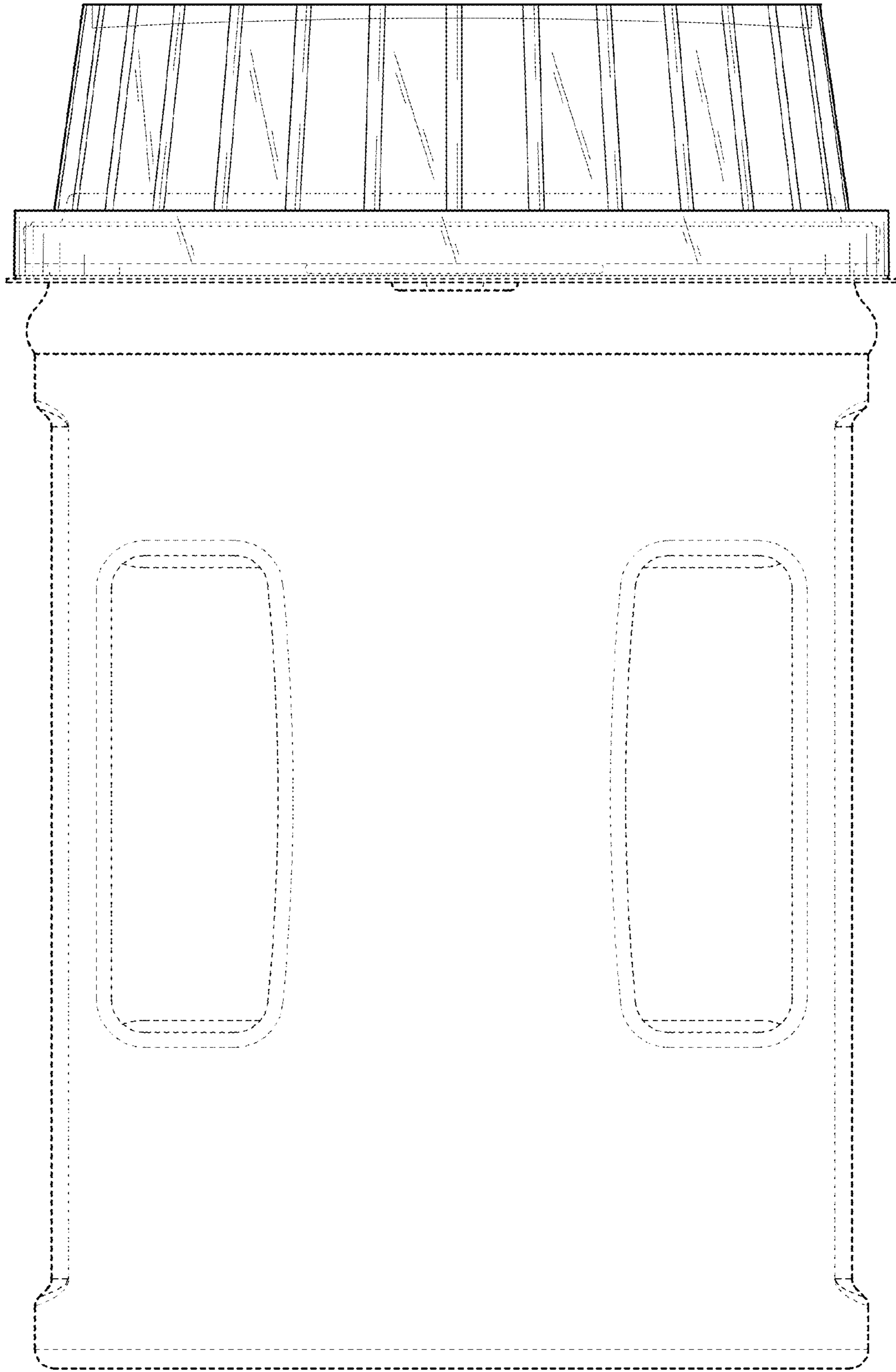


FIG. 22

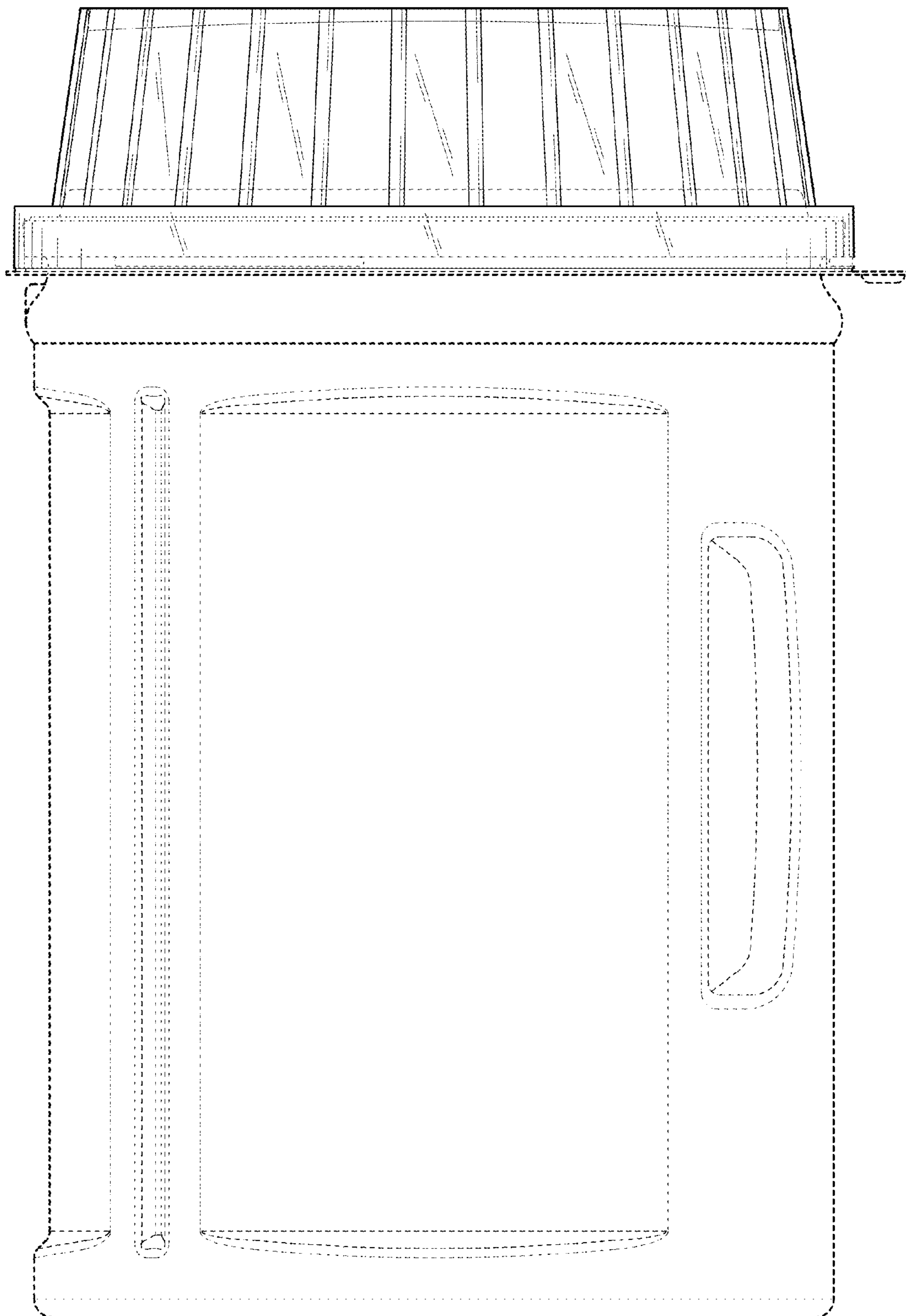


FIG. 23

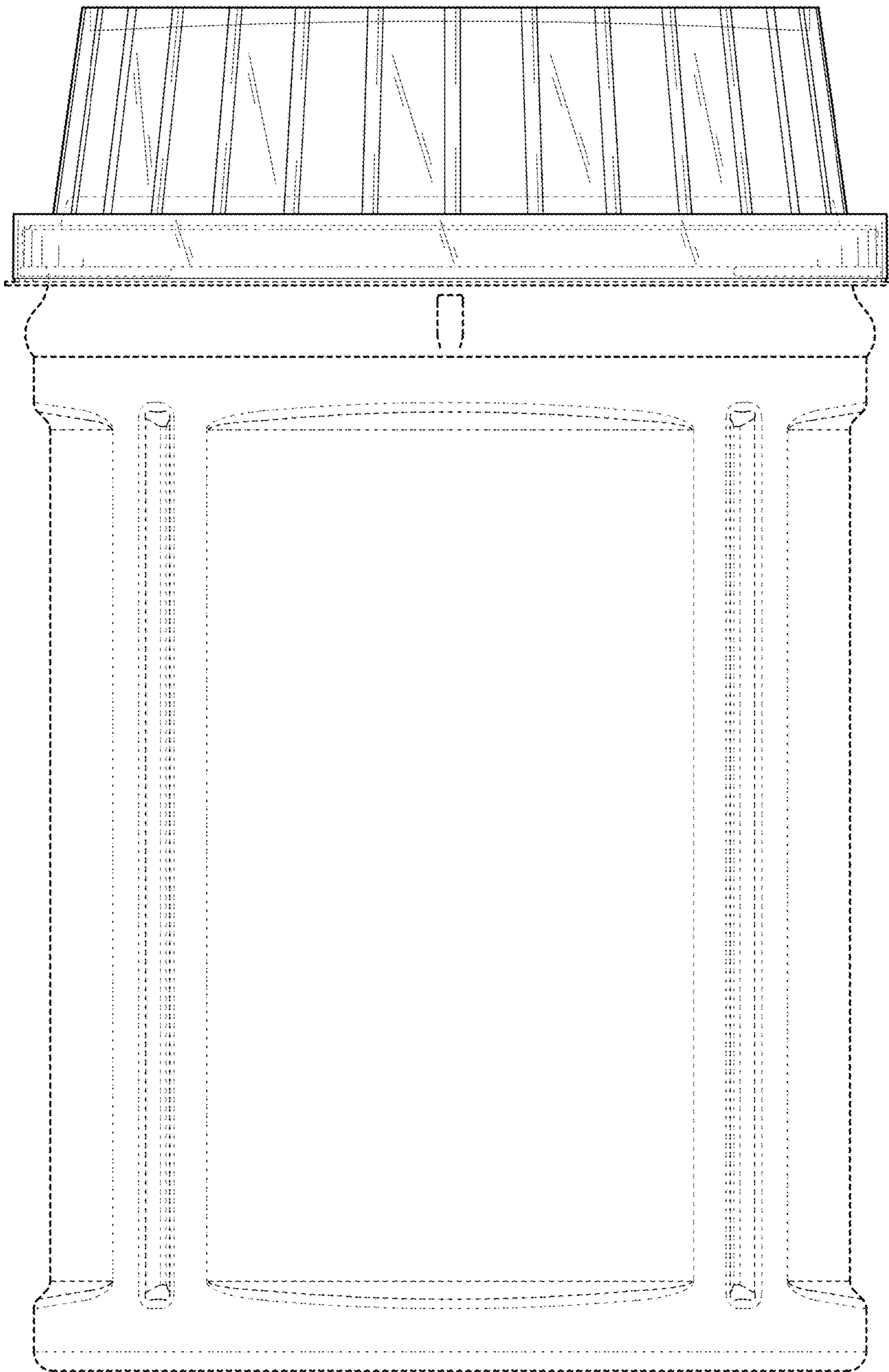


FIG. 24

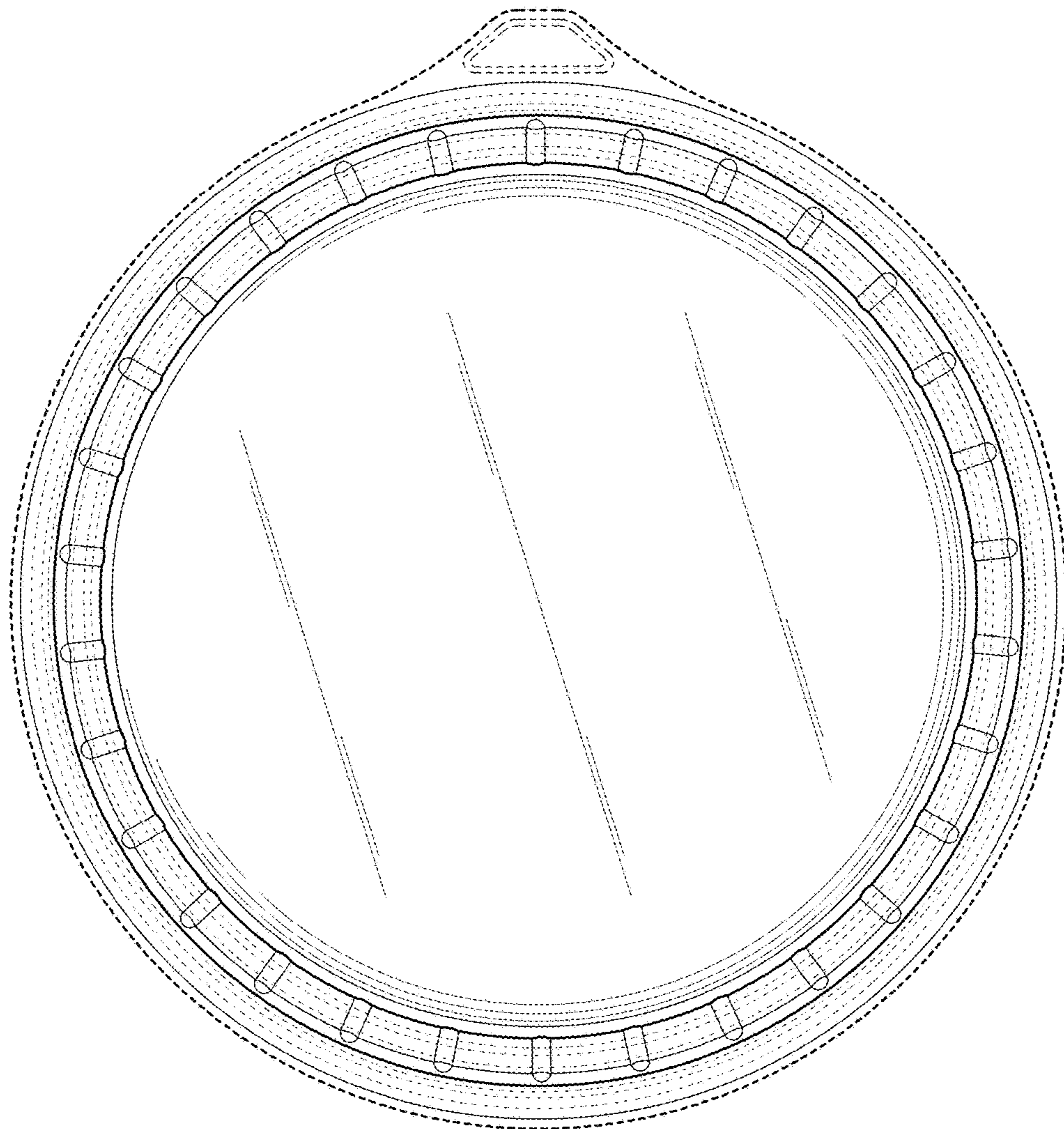


FIG. 25