



US00D804299S

(12) **United States Design Patent**
Furuse et al.

(10) **Patent No.:** **US D804,299 S**
(45) **Date of Patent:** **** Dec. 5, 2017**

(54) **PACKING CONTAINER**

(71) Applicants: **Toppan Printing Co., Ltd.**, Tokyo (JP);
Lotte Co., Ltd., Tokyo (JP)

(72) Inventors: **Kiyoto Furuse**, Tokyo (JP); **Kenji Toyama**, Tokyo (JP); **Junpei Omura**, Tokyo (JP); **Makoto Yamaguchi**, Tokyo (JP); **Naoko Kobayashi**, Tokyo (JP); **Yuka Shibata**, Saitama (JP)

(73) Assignees: **TOPPAN PRINTING CO., LTD.**, Tokyo (JP); **LOTTE CO., LTD.**, Tokyo (JP)

(**) Term: **15 Years**

(21) Appl. No.: **29/570,482**

(22) Filed: **Jul. 8, 2016**

(30) **Foreign Application Priority Data**

Jan. 8, 2016 (JP) 2016-000357

(51) **LOC (10) Cl.** **09-03**

(52) **U.S. Cl.**
USPC **D9/420; D9/425; D9/432; D9/433**

(58) **Field of Classification Search**
USPC D9/414, 419, 420, 421, 423, 424, 425,
D9/432, 433; D7/626
CPC . B65D 5/00; B65D 5/066; B65D 5/20; B65D
5/42; B65D 77/00; B65D 11/00; B65D
43/02
See application file for complete search history.

(56) **References Cited**

U.S. PATENT DOCUMENTS

D354,436 S * 1/1995 Krupa D9/423
D505,839 S * 6/2005 Stanos D7/629
D558,045 S * 12/2007 Templeton D9/420
D558,046 S * 12/2007 Okin D9/423

(Continued)

Primary Examiner — Caron D Veynar
Assistant Examiner — Mehri Bajoul

(57) **CLAIM**

The ornamental design for a packing container, as shown and described.

DESCRIPTION

FIG. 1 is a front view of a packing container of the present invention.

FIG. 2 is a rear view thereof.

FIG. 3 is a top plan view thereof.

FIG. 4 is a bottom view thereof.

FIG. 5 is a right side view thereof.

FIG. 6 is a left side view thereof.

FIG. 7 is a perspective view thereof.

FIG. 8 is a front view of the opening part of the lid thereof, a rear view of the opening part of the lid being a mirror image thereof.

FIG. 9 is a top plan view of the opening part of the lid thereof.

FIG. 10 is a bottom view of the opening part of the lid thereof.

FIG. 11 is an enlarged right side view of the opening part of the lid thereof.

FIG. 12 is an enlarged left side view of the opening part of the lid thereof.

FIG. 13 is a top plan view with the opening part of the lid peeled away thereof.

FIG. 14 is a bottom view with the opening part of the lid peeled away thereof.

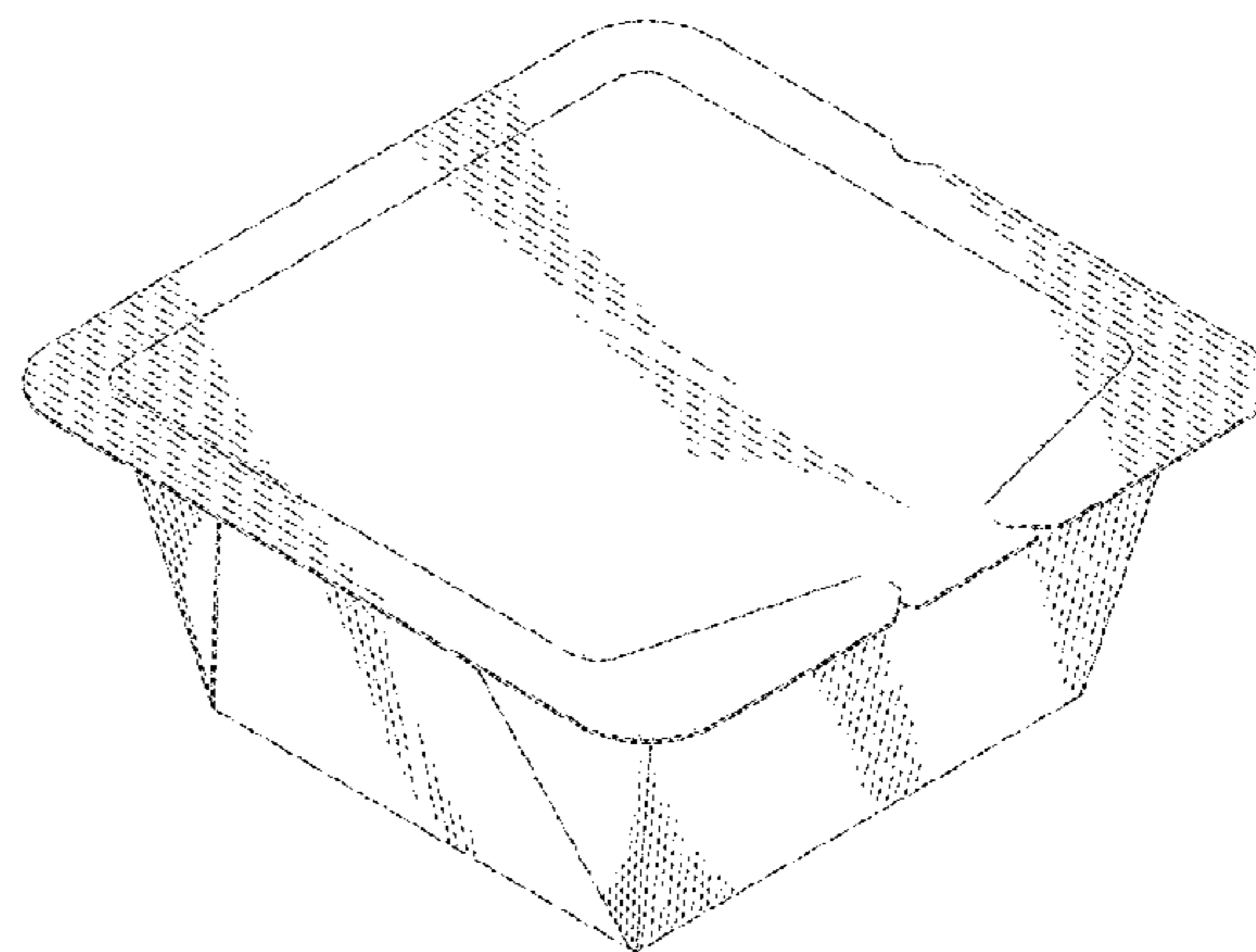
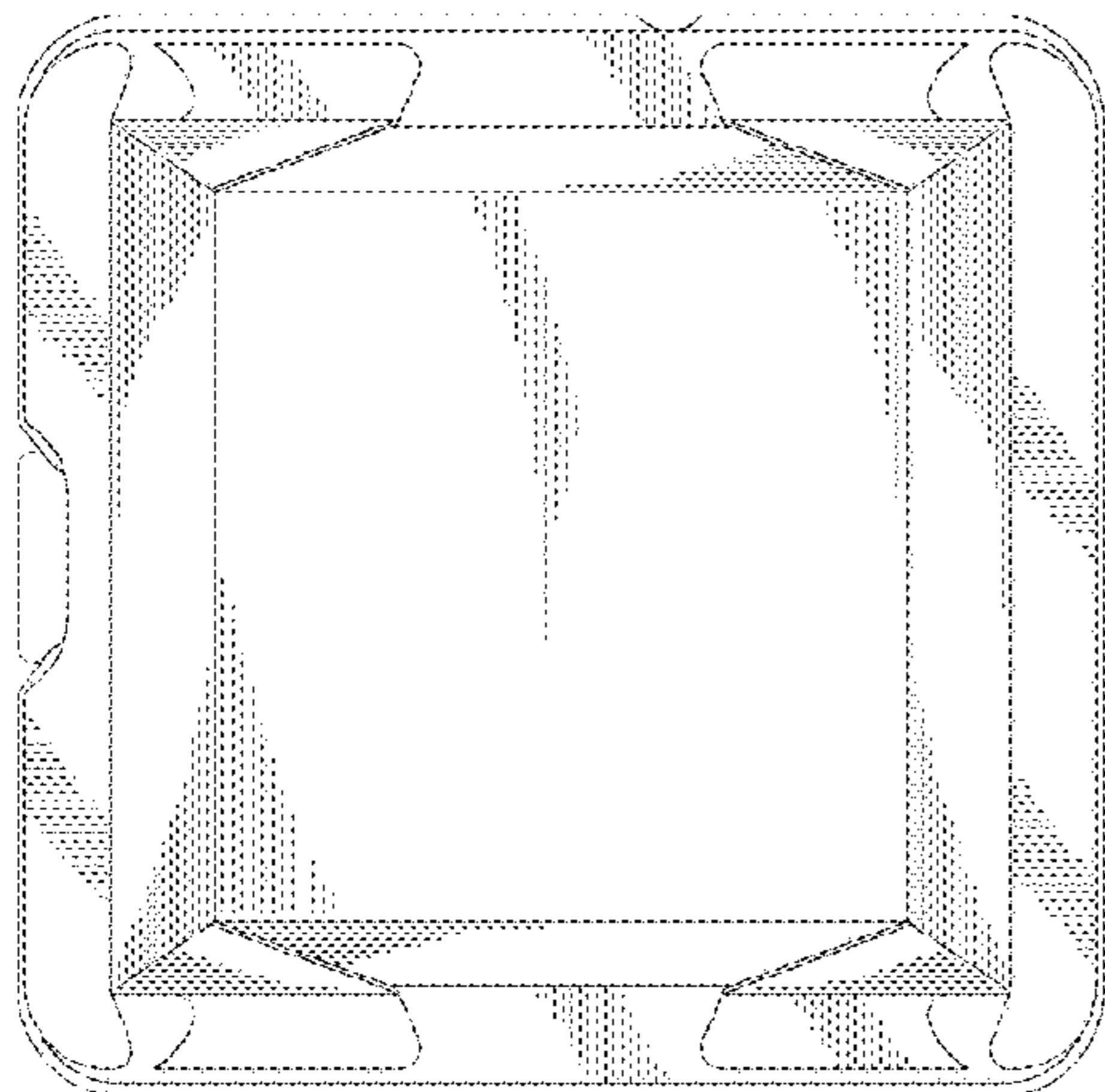
FIG. 15 is a left side view with the opening part of the lid peeled away thereof.

FIG. 16 is an enlarged view of the portion indicated by arrows 16-16 of FIG. 8.

FIG. 17 is an enlarged view of the portion indicated by arrows 17-17 of the FIG. 15; and,

FIG. 18 is a reference perspective view with the opening part of the lid partially peeled away thereof.

1 Claim, 18 Drawing Sheets



(56)

References Cited

U.S. PATENT DOCUMENTS

D586,652 S * 2/2009 Wallach D9/425
D645,737 S * 9/2011 Oakes D9/420
D664,425 S * 7/2012 Krupa D9/420
D684,465 S * 6/2013 Vernon D9/421
D691,037 S * 10/2013 Chen D9/423
D742,218 S * 11/2015 Astorga D9/424
D764,281 S * 8/2016 Mayer D9/420
2006/0124654 A1* 6/2006 Cai B65D 43/0249
220/780
2017/0144805 A1* 5/2017 Zhou B65D 43/22

* cited by examiner

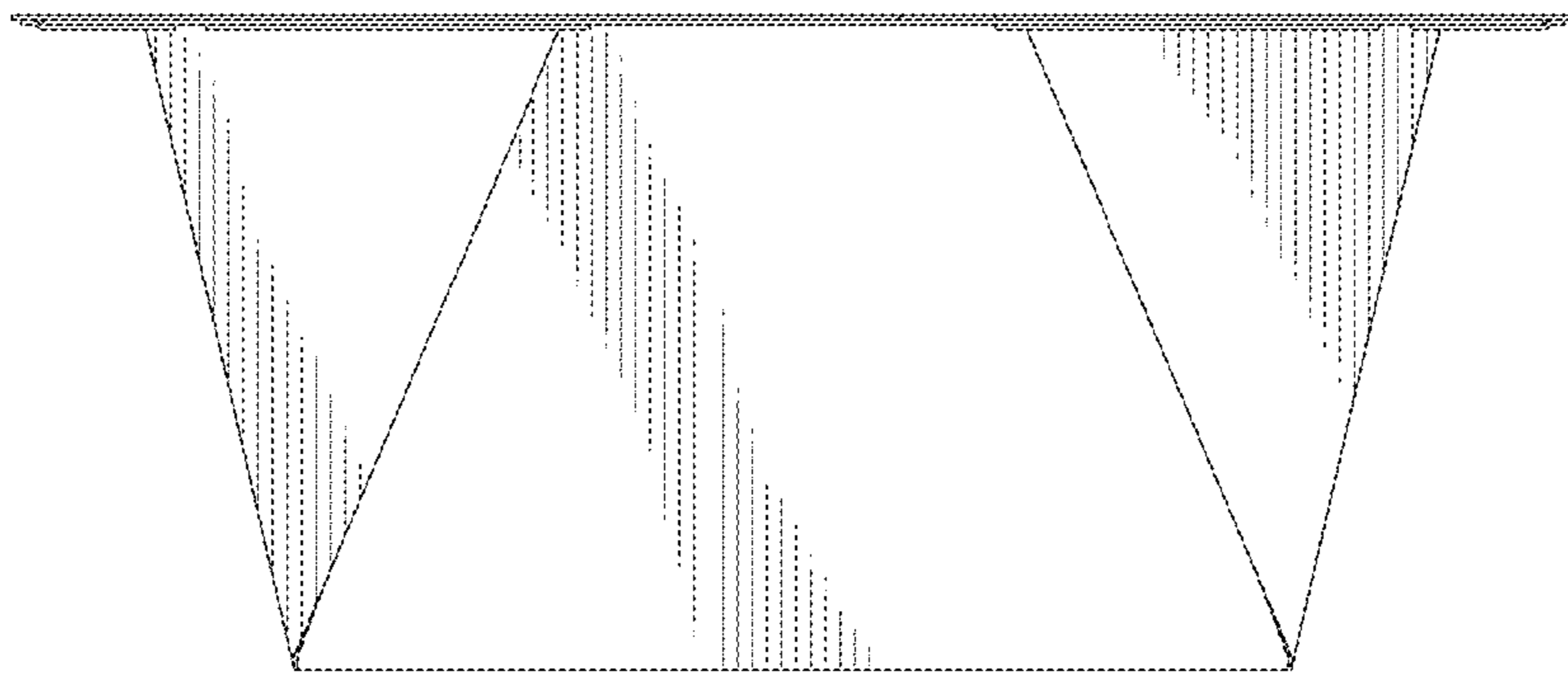


Fig. 1

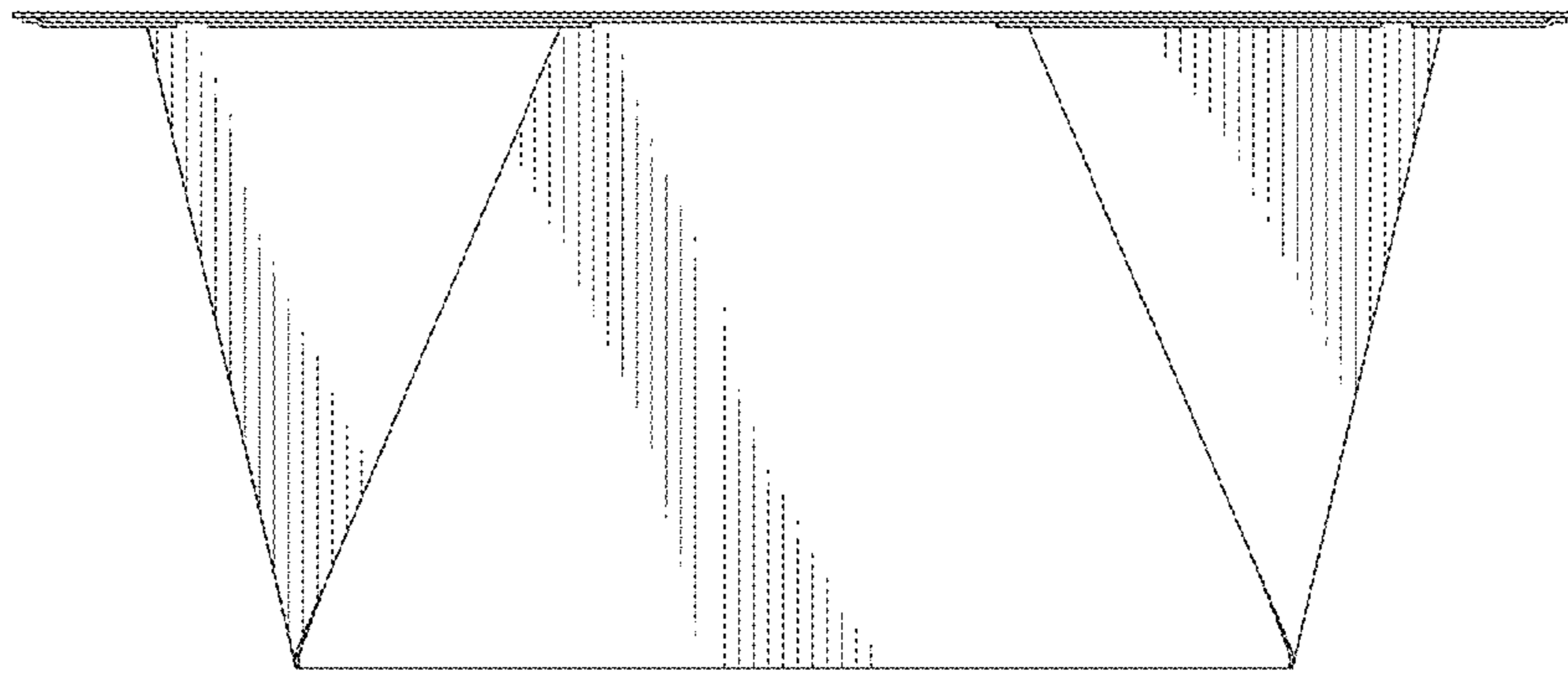


Fig.2

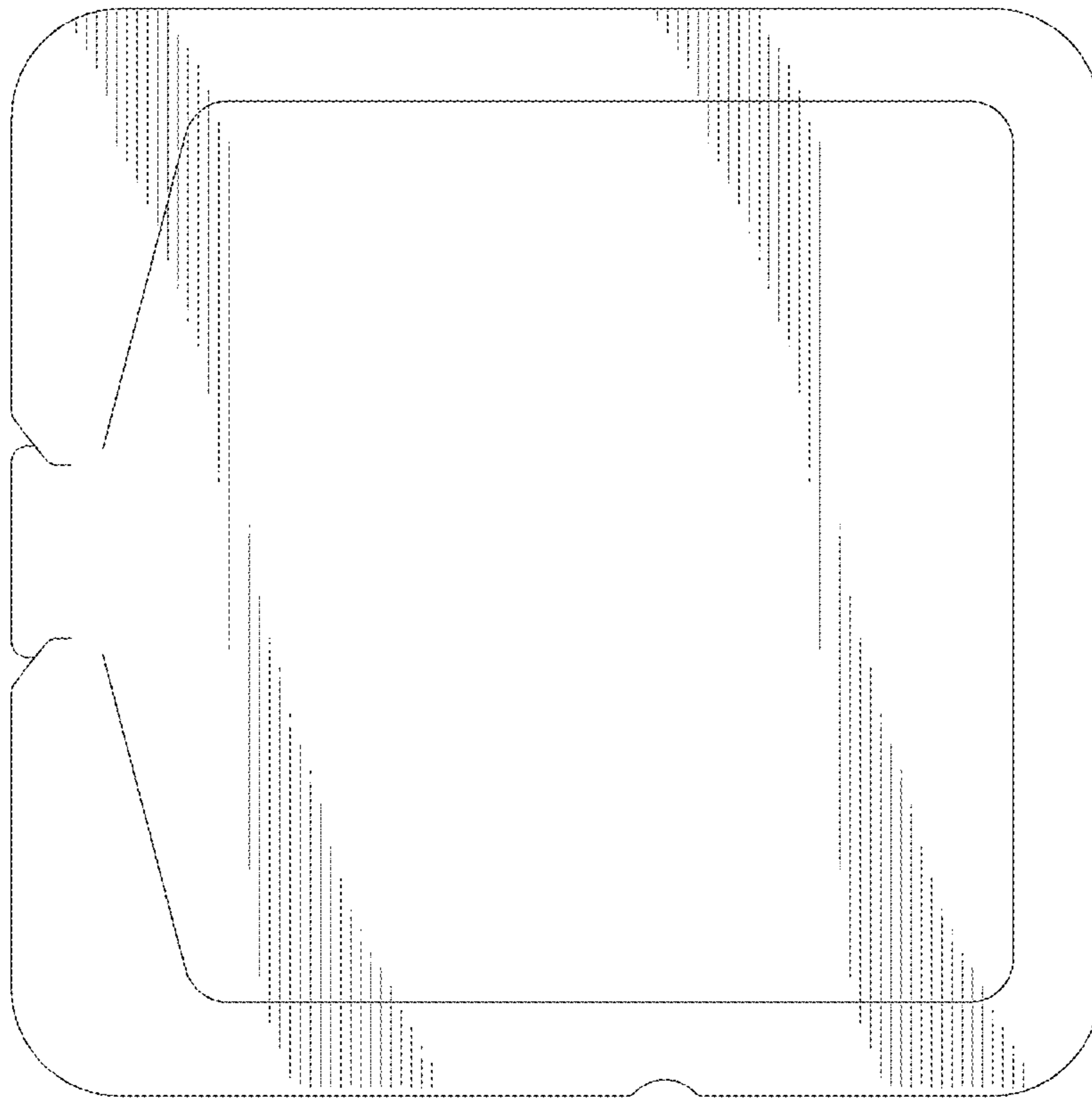


Fig.3

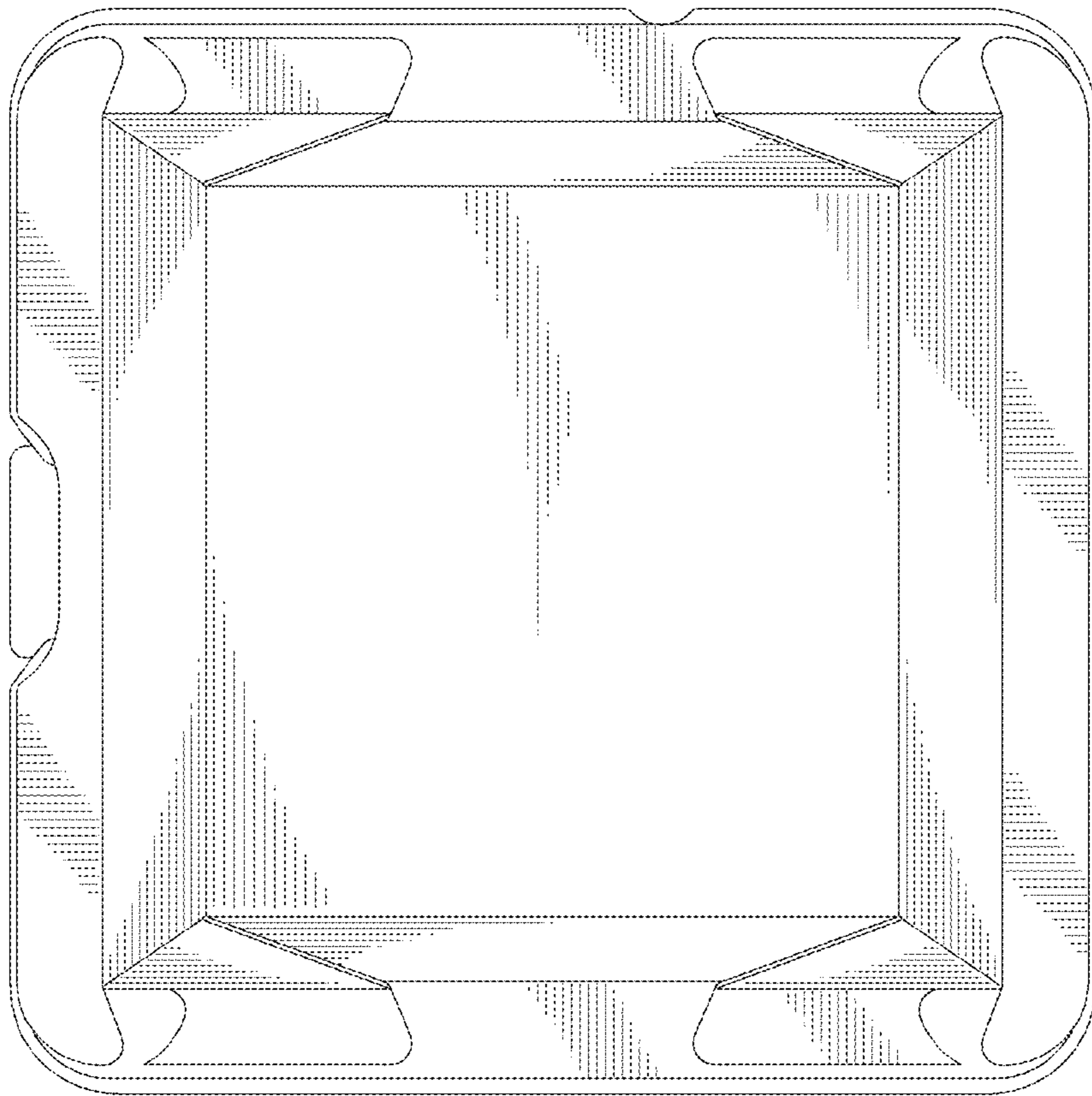


Fig.4

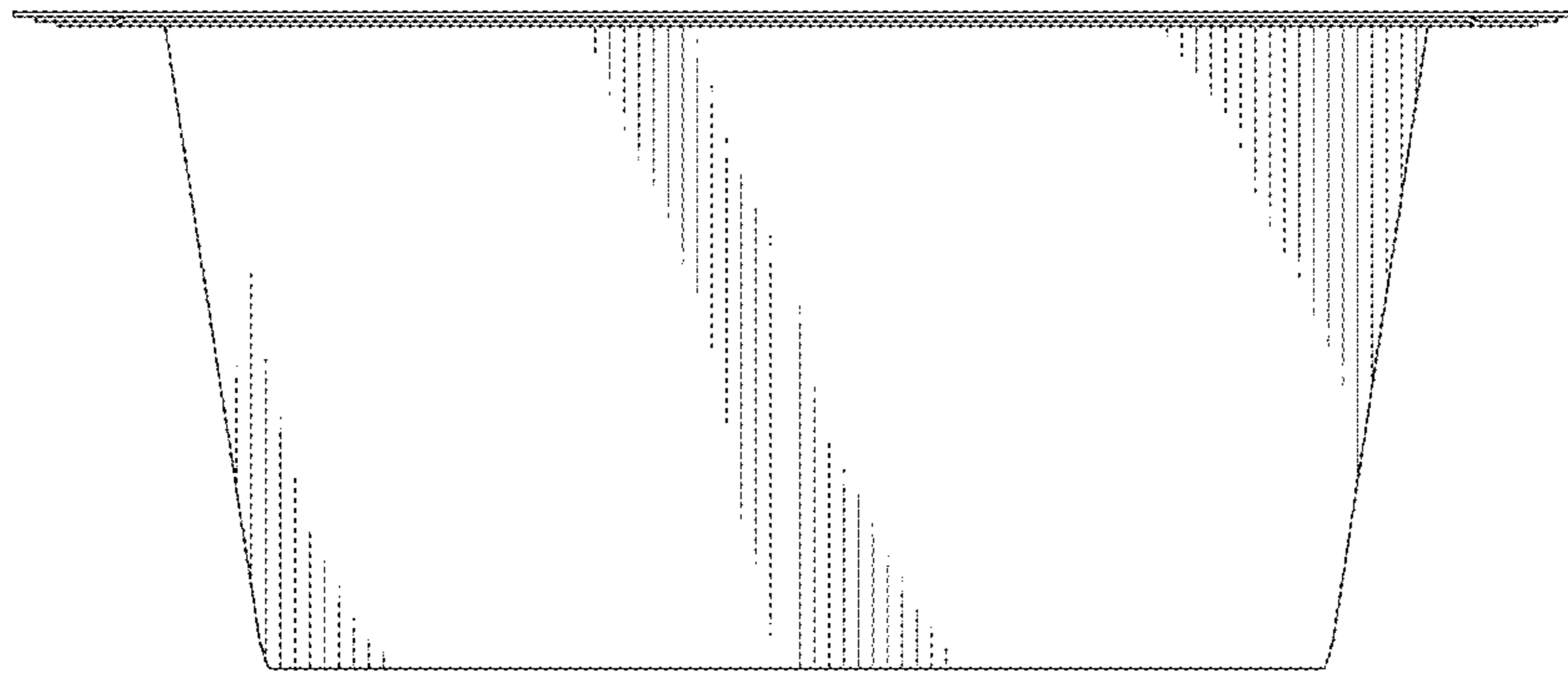


Fig.5

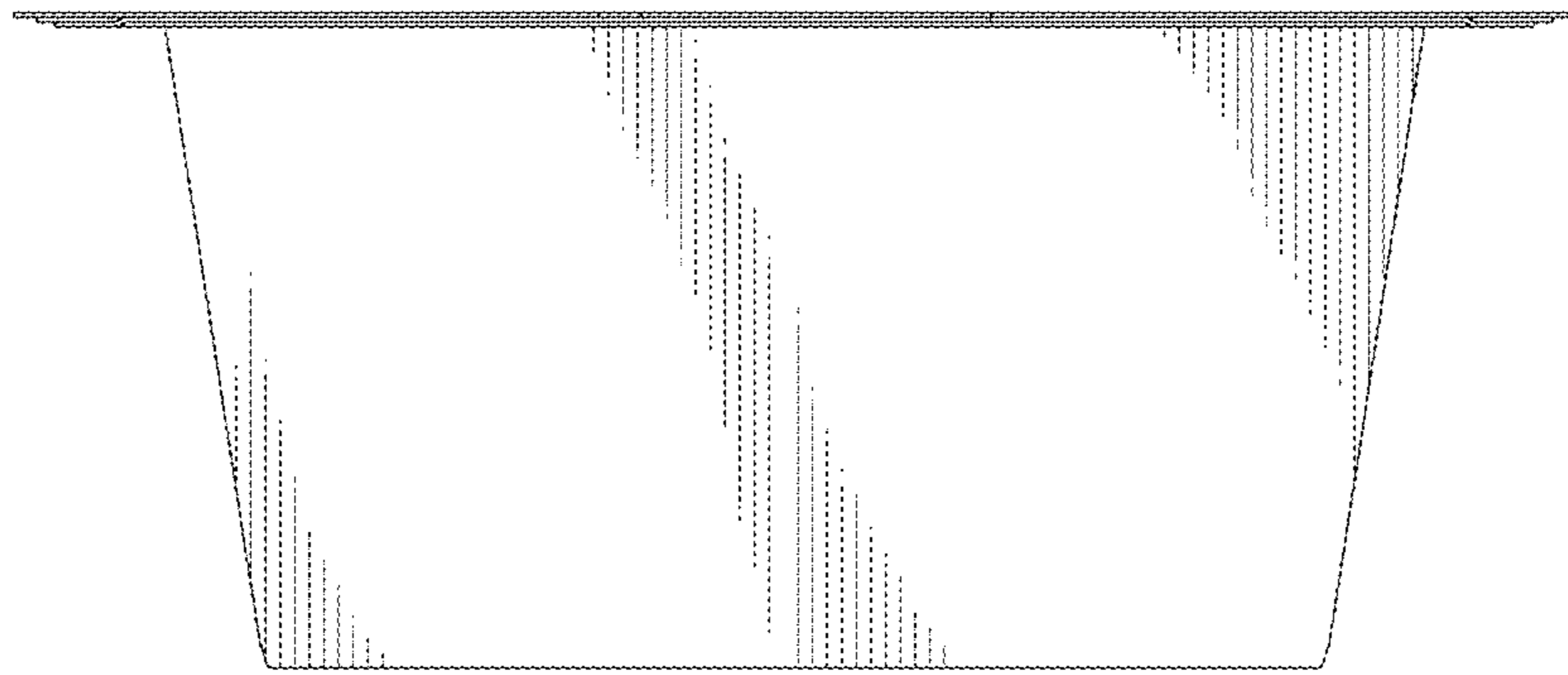


Fig.6

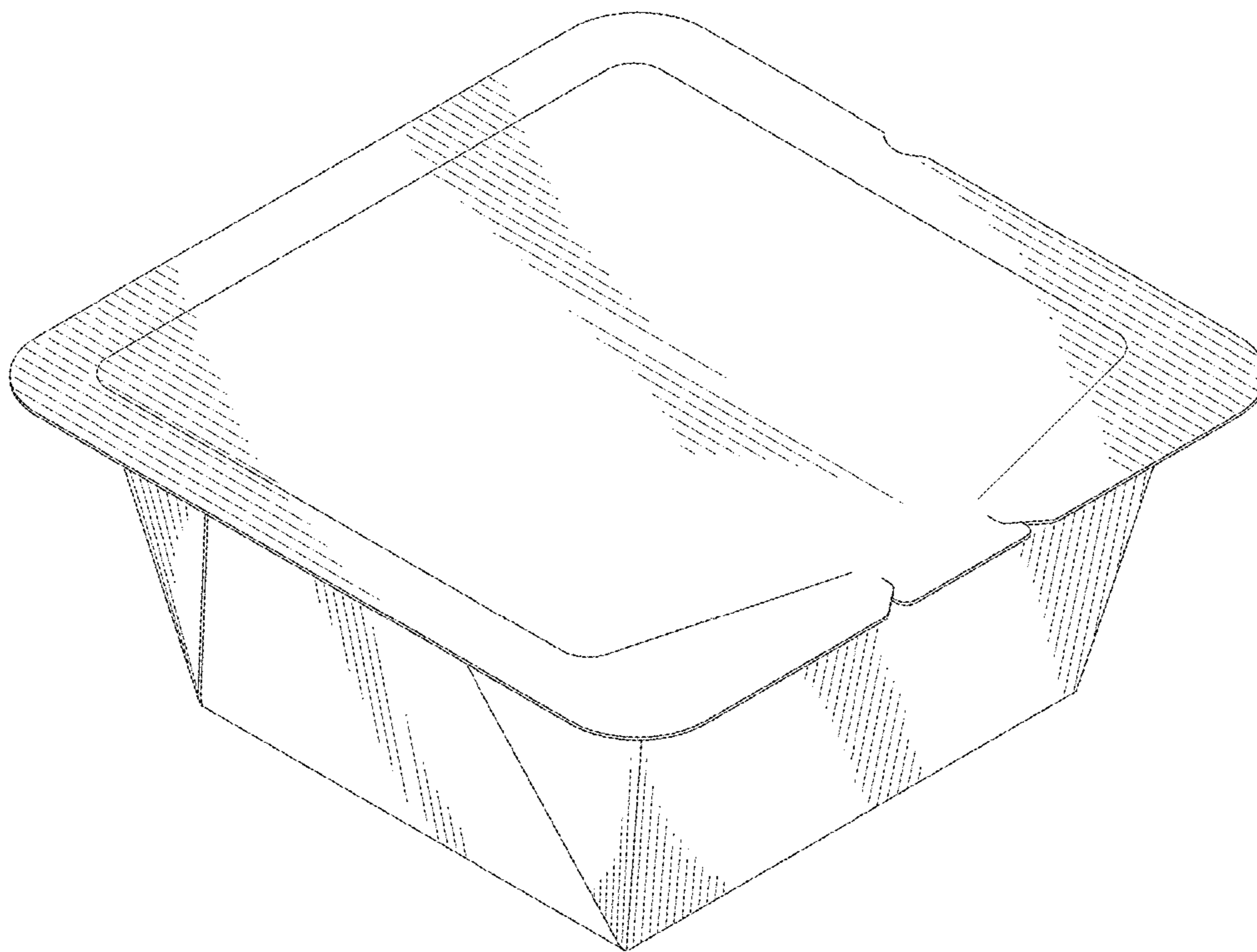


Fig. 7

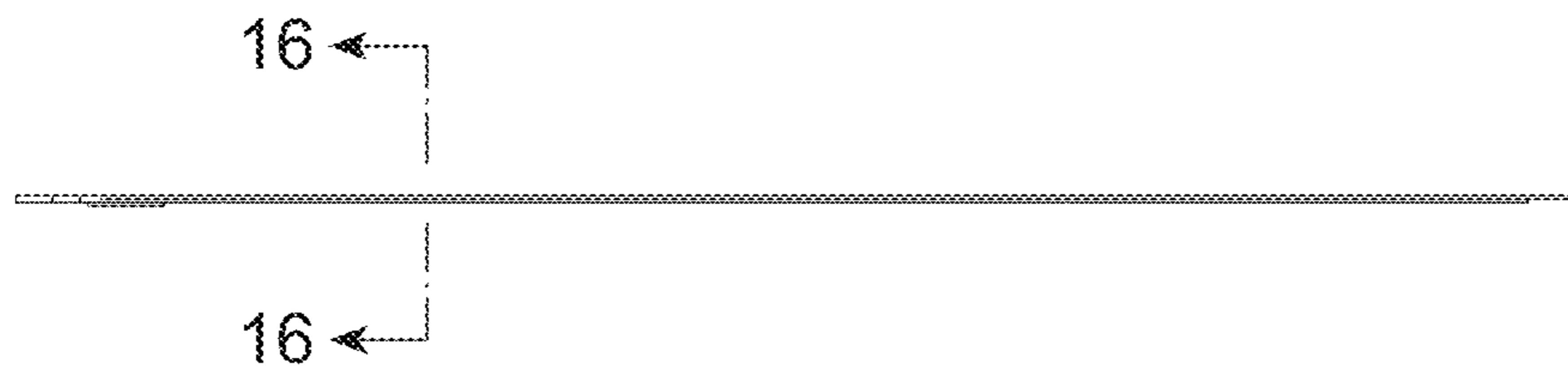


Fig.8

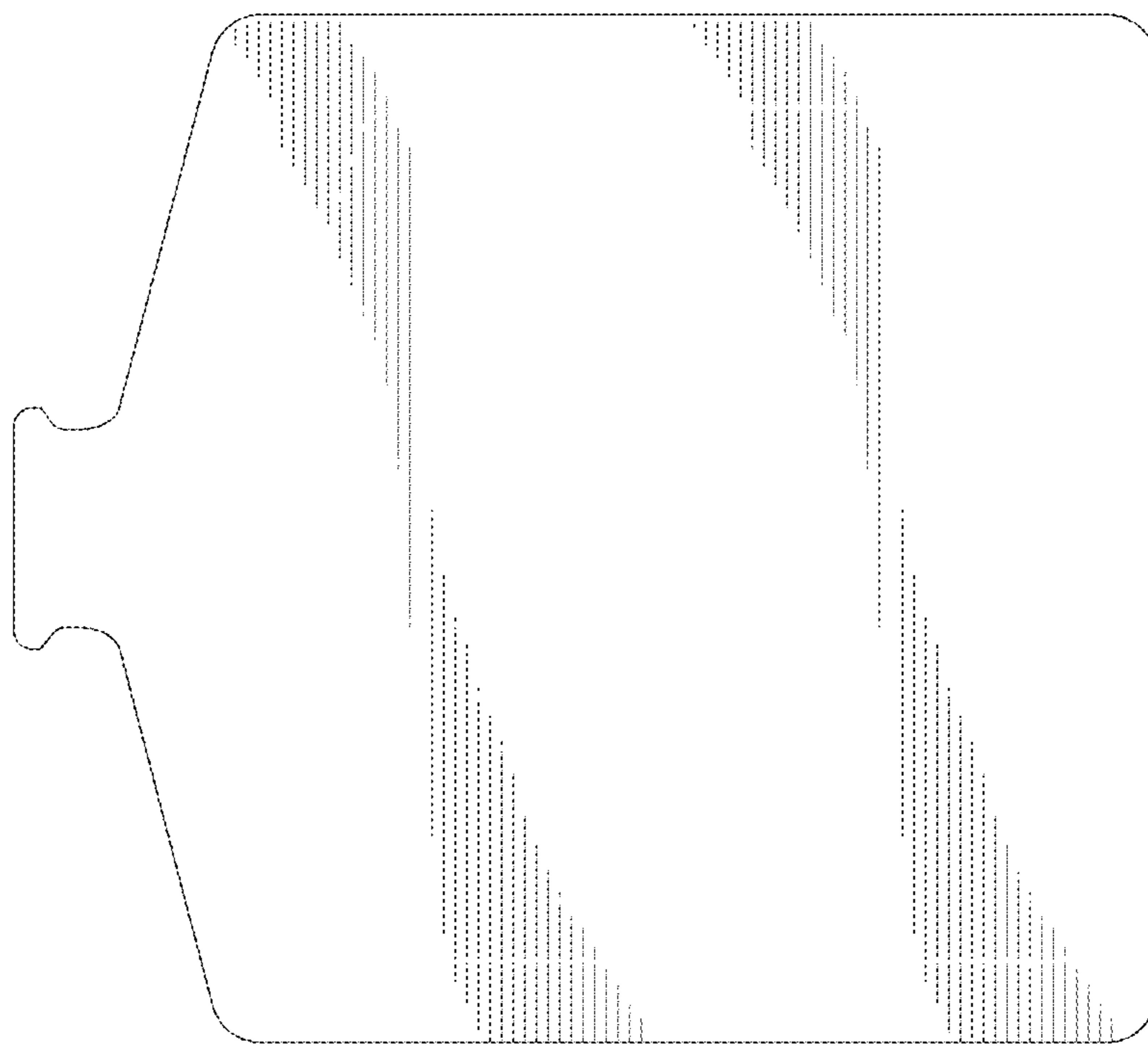


Fig.9

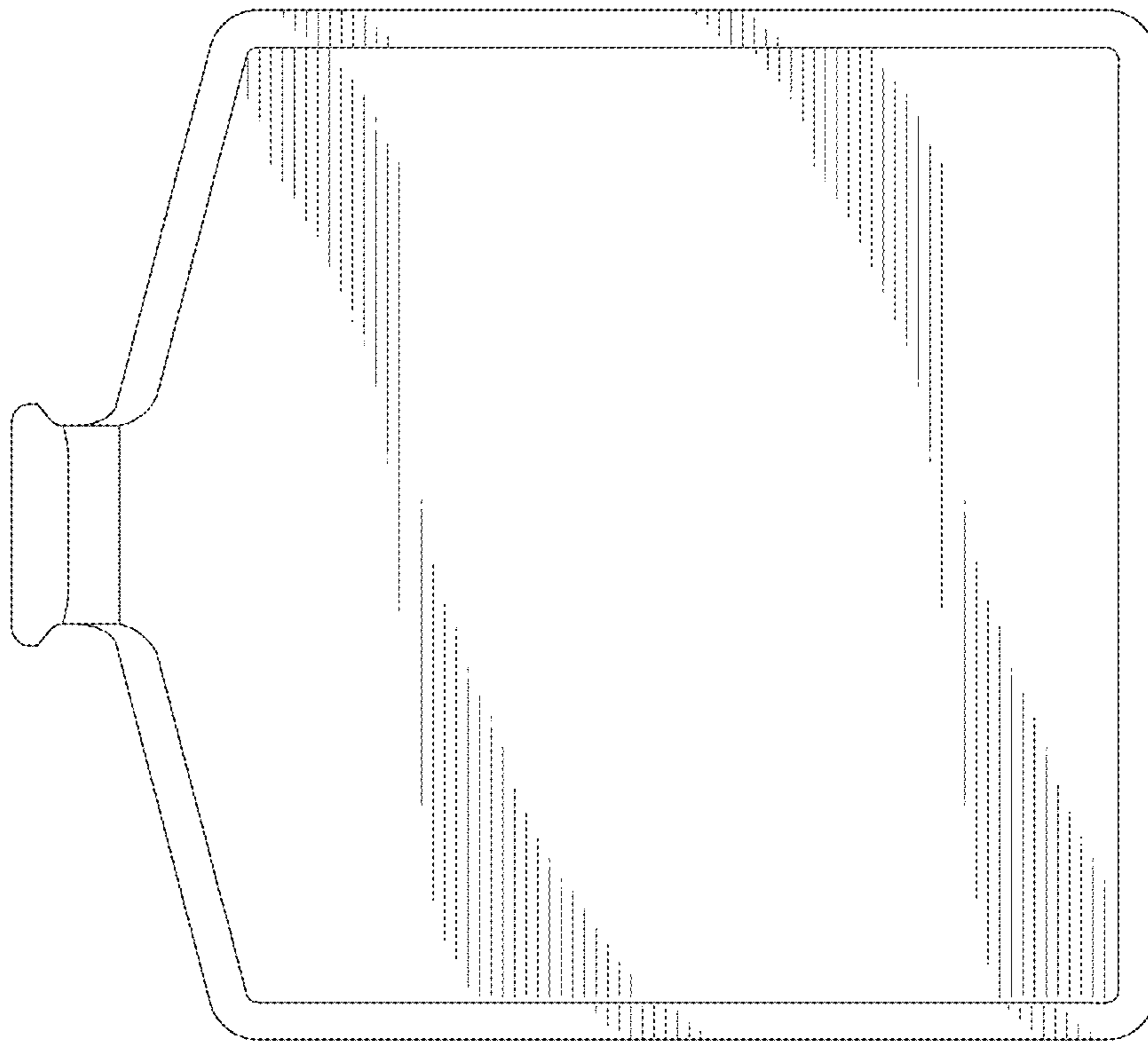


Fig. 10

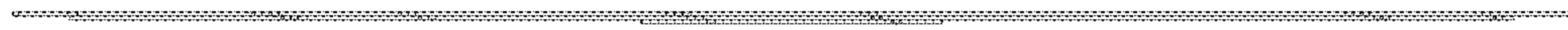


Fig.11

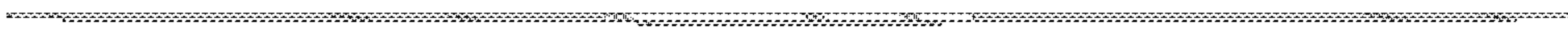


Fig.12

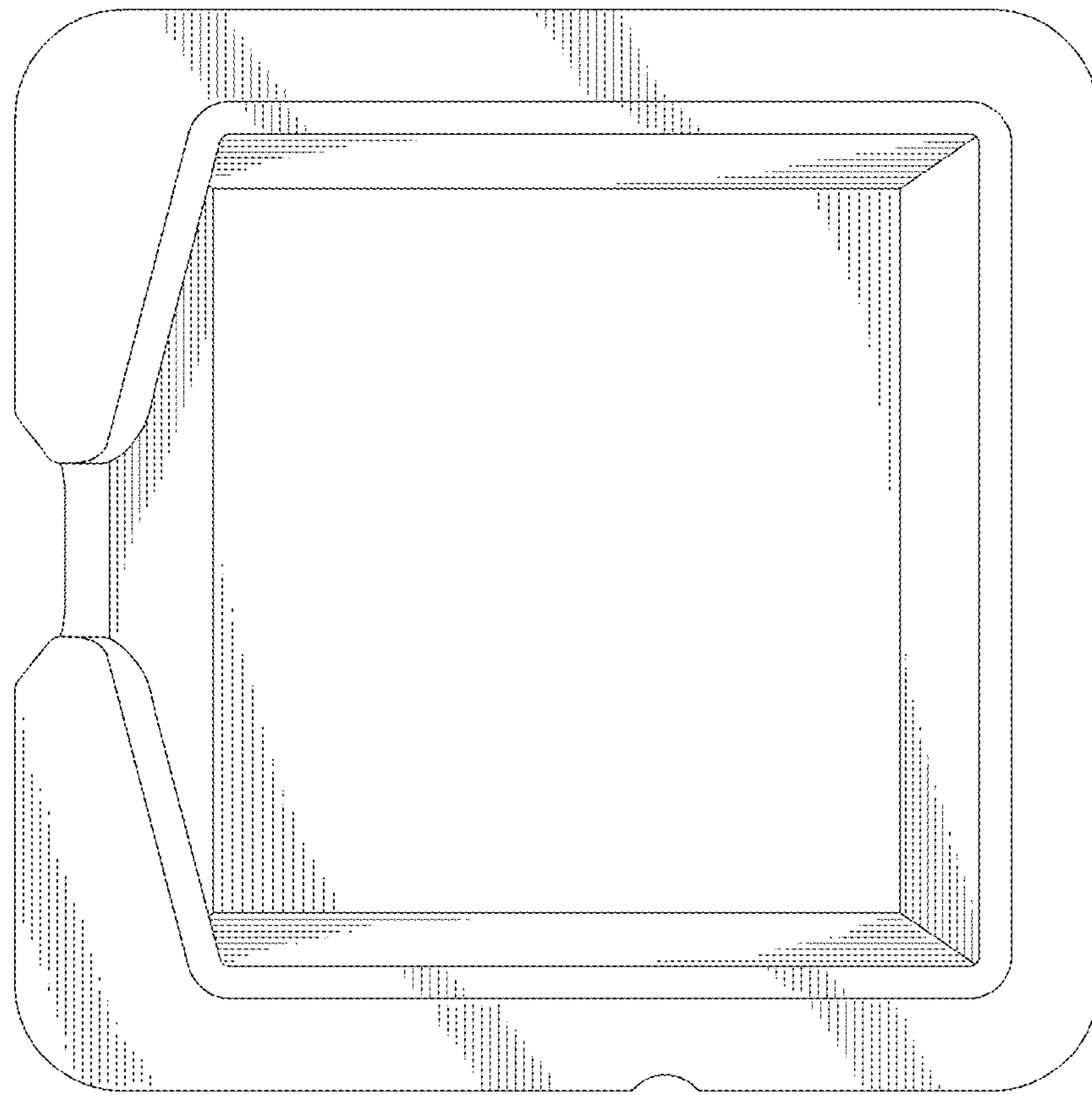


Fig. 13

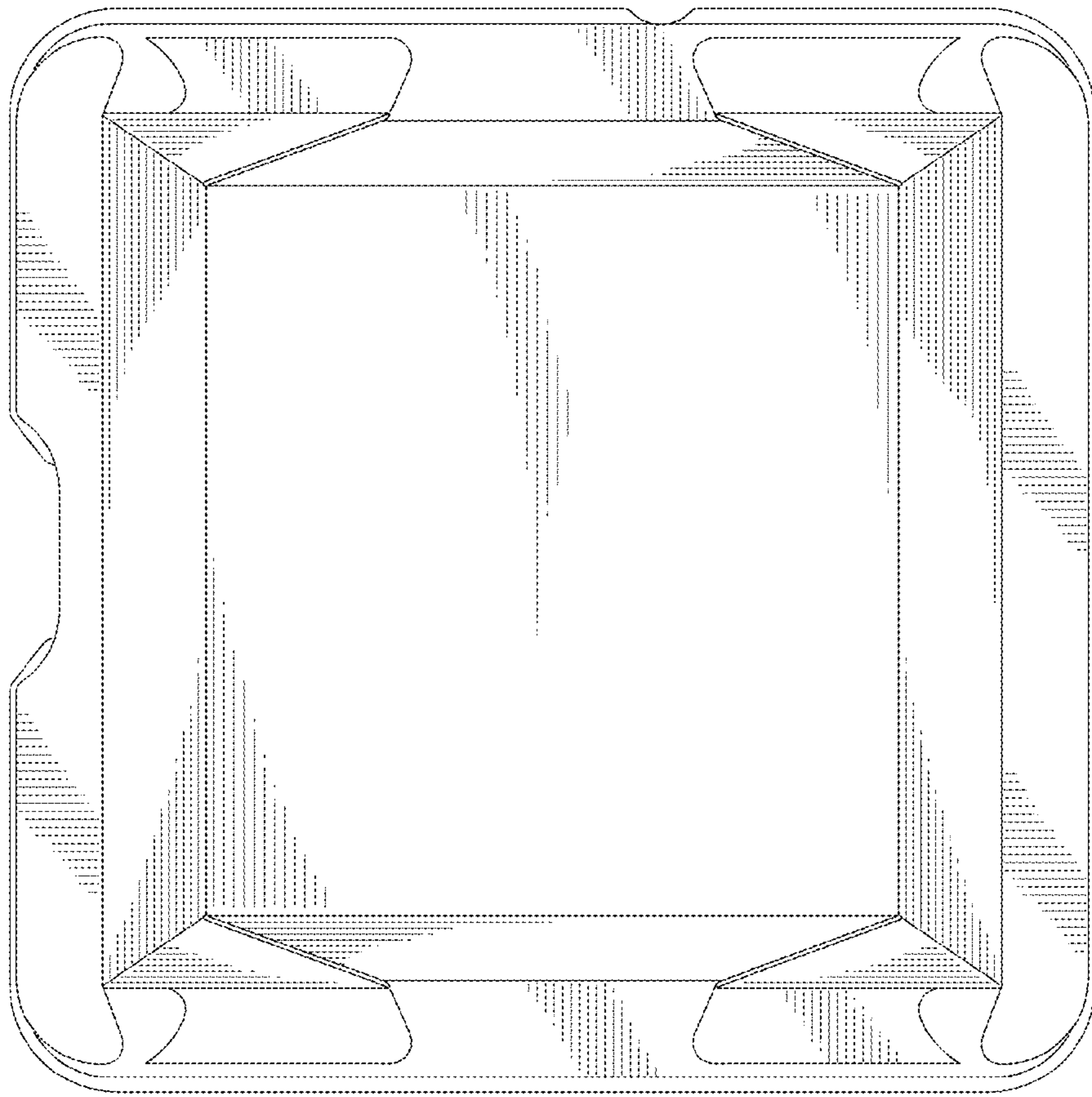


Fig.14

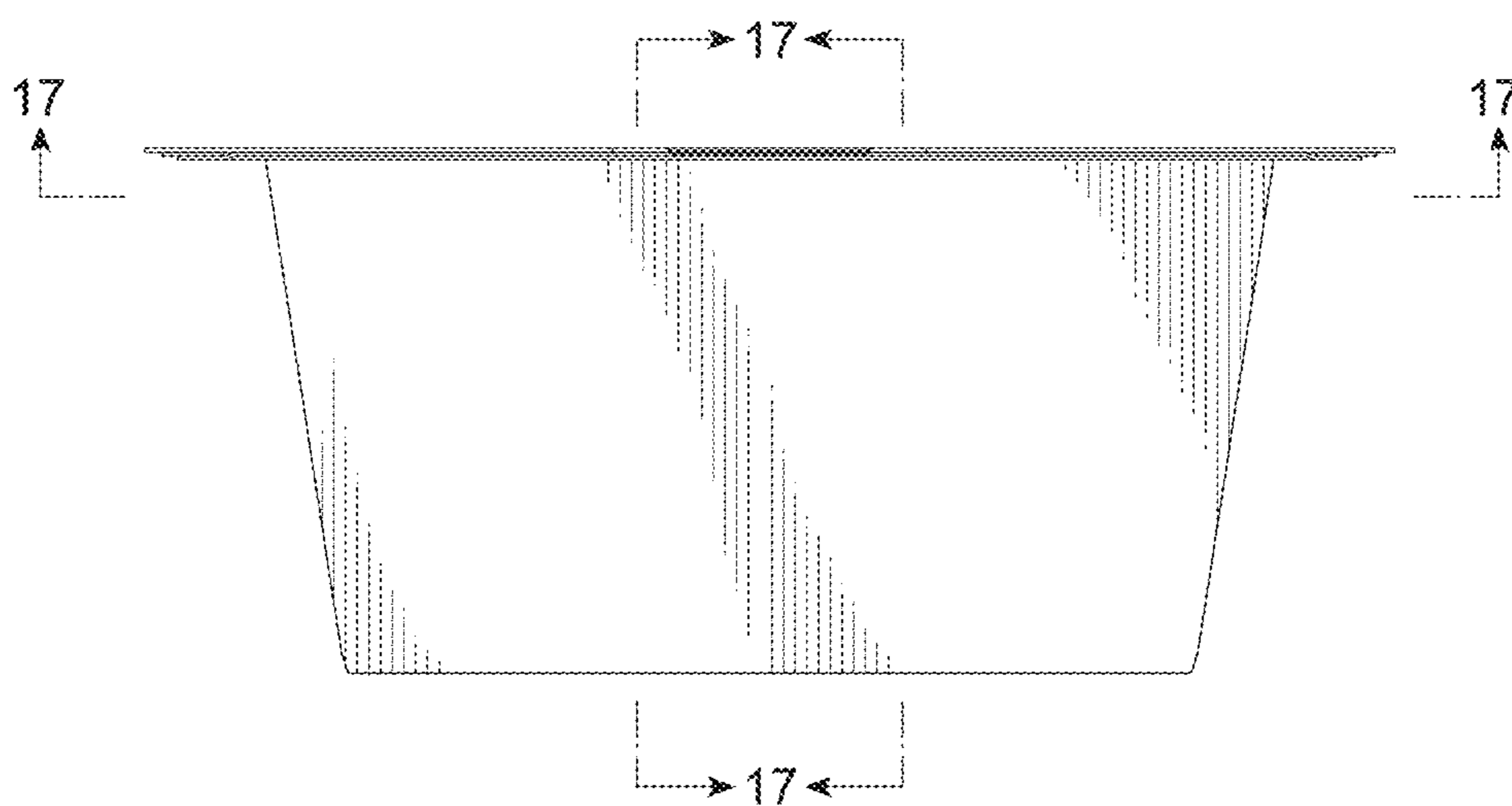


Fig.15

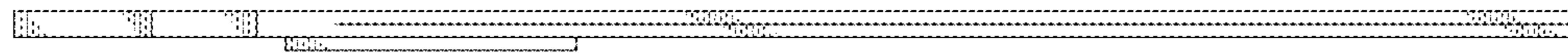


Fig. 16

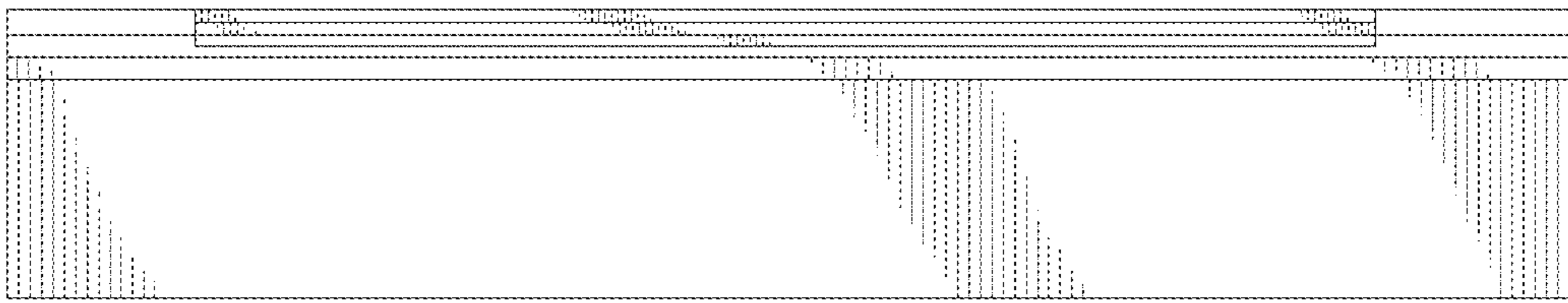


Fig.17

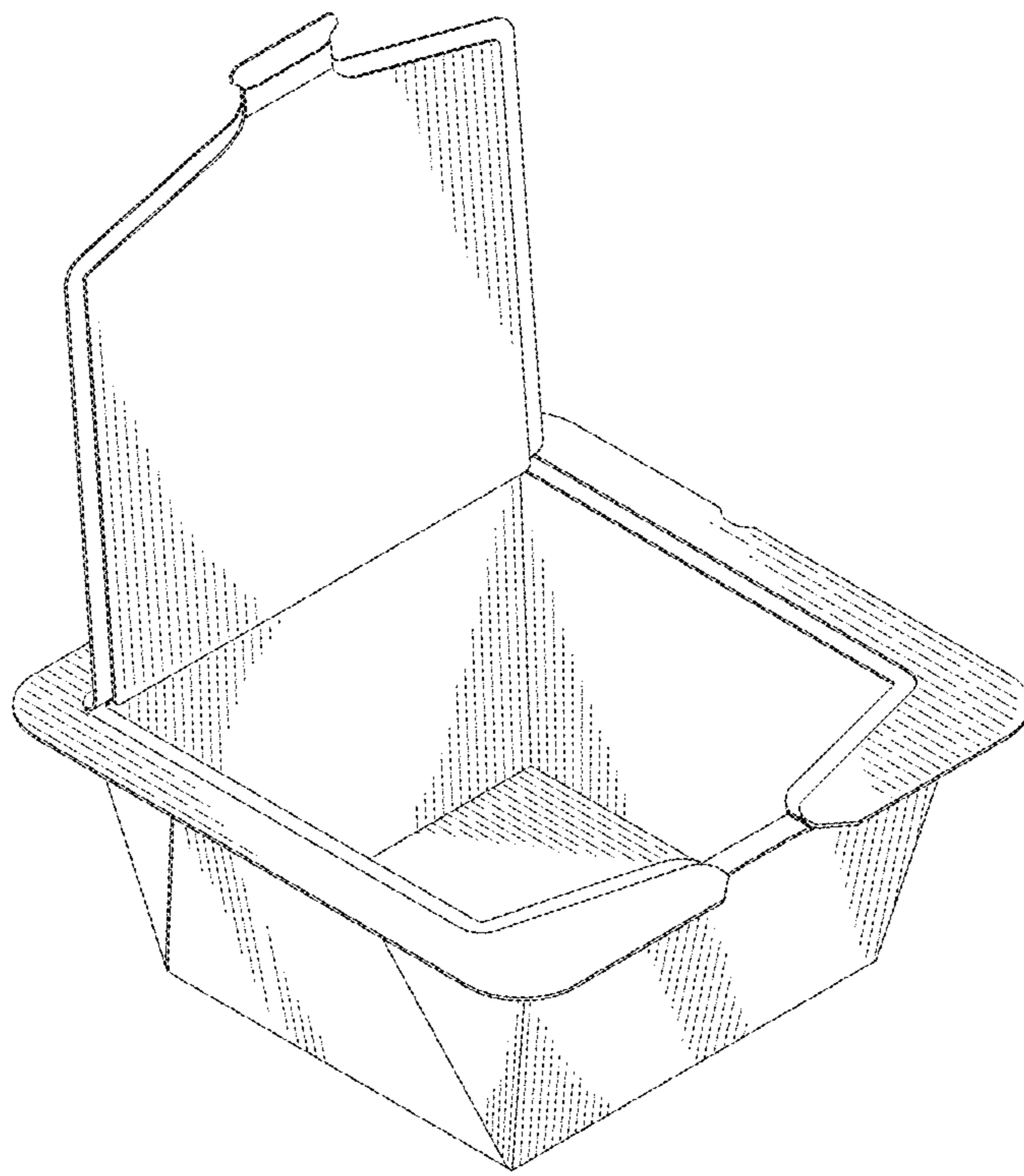


Fig.18