



US00D804298S

(12) **United States Design Patent** (10) **Patent No.:** **US D804,298 S**
Demmink (45) **Date of Patent:** **** Dec. 5, 2017**

- (54) **CARTON**
- (71) Applicant: **ABBOTT LABORATORIES**, Abbott Park, IL (US)
- (72) Inventor: **Kyle Demmink**, Columbus, OH (US)
- (73) Assignee: **ABBOTT LABORATORIES**, Abbott Park, IL (US)
- (**) Term: **15 Years**
- (21) Appl. No.: **29/547,108**
- (22) Filed: **Dec. 1, 2015**
- (51) **LOC (10) Cl.** **09-03**
- (52) **U.S. Cl.**
USPC **D9/418**
- (58) **Field of Classification Search**
USPC D9/418, 430, 711, 432, 420, 415, 416;
D23/366; D17/22; D6/300; 222/183
CPC B67D 1/0891
See application file for complete search history.

- D756,499 S * 5/2016 Vargas Cervantes D23/366
- D764,272 S * 8/2016 Hoglund D9/420
- D769,729 S * 10/2016 Kelly D9/415
- D772,334 S * 11/2016 Nishi D17/22
- D778,149 S * 2/2017 Frick D9/416
- D779,834 S * 2/2017 Ryan D6/300
- D780,598 S * 3/2017 Zeitlin D9/711
- D781,142 S * 3/2017 Trujillo D9/432
- D782,326 S * 3/2017 Fath D9/711

OTHER PUBLICATIONS

Exhibit #1, Abbott Laboratories, p. 1.

* cited by examiner

Primary Examiner — Rhea Shields
(74) *Attorney, Agent, or Firm* — Calfee, Halter & Griswold LLP

(57) **CLAIM**

I claim the ornamental design for a carton, as shown and described.

DESCRIPTION

FIG. 1 is a top, perspective view of a carton, showing the new design;
FIG. 2 is a bottom, perspective view of the carton of FIG. 1;
FIG. 3 is a front side view of the carton of FIG. 1;
FIG. 4 is a rear side of the carton of FIG. 1;
FIG. 5 is a left view of the carton of FIG. 1;
FIG. 6 is a right view of the carton of FIG. 1;
FIG. 7 is a top view of the carton of FIG. 1; and,
FIG. 8 is a bottom view of the carton of FIG. 1.

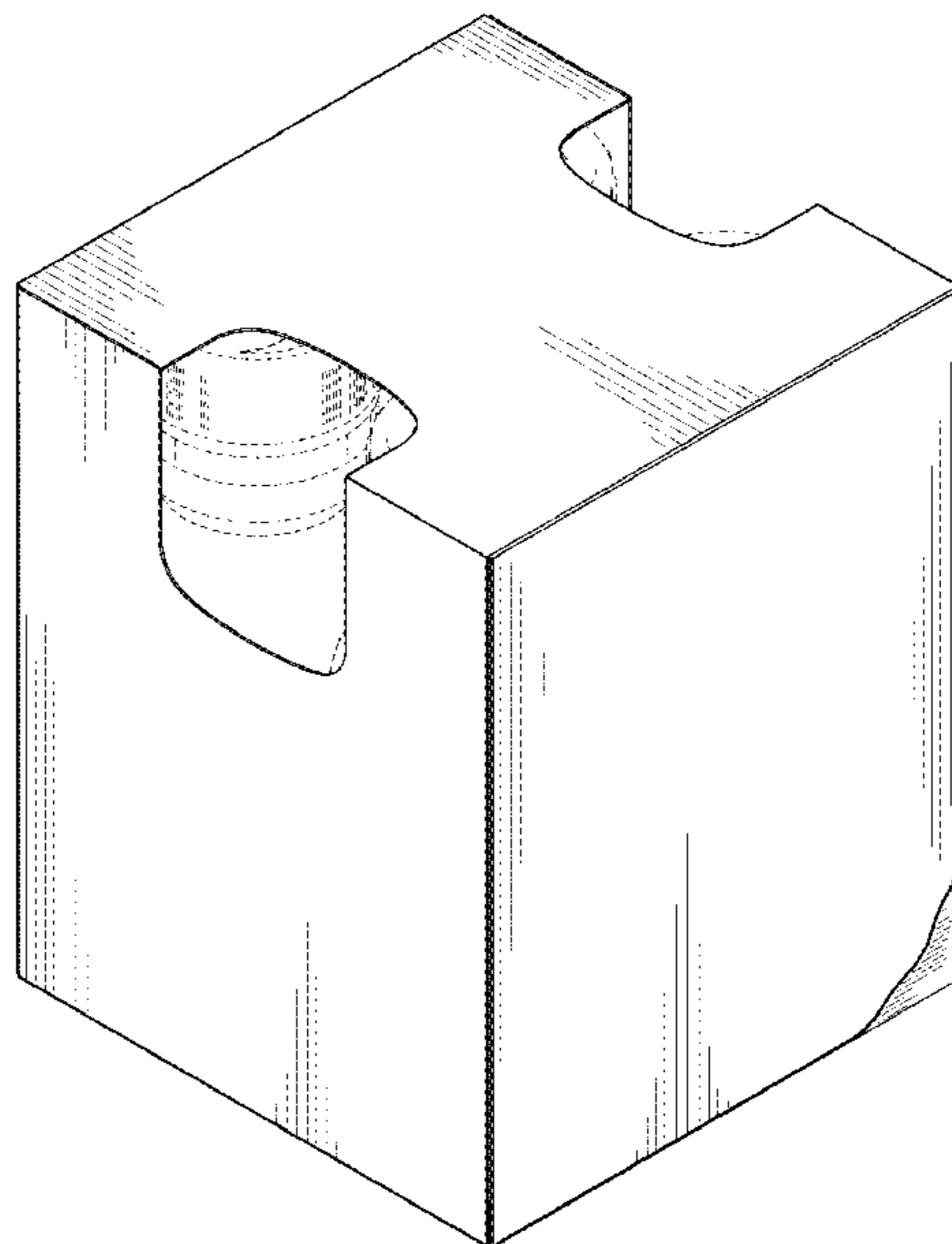
In the drawings, the broken lines are for the purpose of illustrating environment only and form no part of the claimed design.

1 Claim, 4 Drawing Sheets

(56) **References Cited**

U.S. PATENT DOCUMENTS

- 4,699,342 A * 10/1987 Bartz B67D 1/0891
222/183
- D389,739 S * 1/1998 Auclair D9/418
- D495,251 S * 8/2004 Zack D9/430
- D553,493 S * 10/2007 Kracke D9/711
- D616,742 S * 6/2010 Lymn D9/432
- D621,282 S * 8/2010 Yagi D9/711
- D696,109 S * 12/2013 Wilker D9/418
- D703,529 S * 4/2014 Voelker D9/430
- D725,465 S * 3/2015 Voelker D9/430
- D746,700 S * 1/2016 Boehnen D9/418



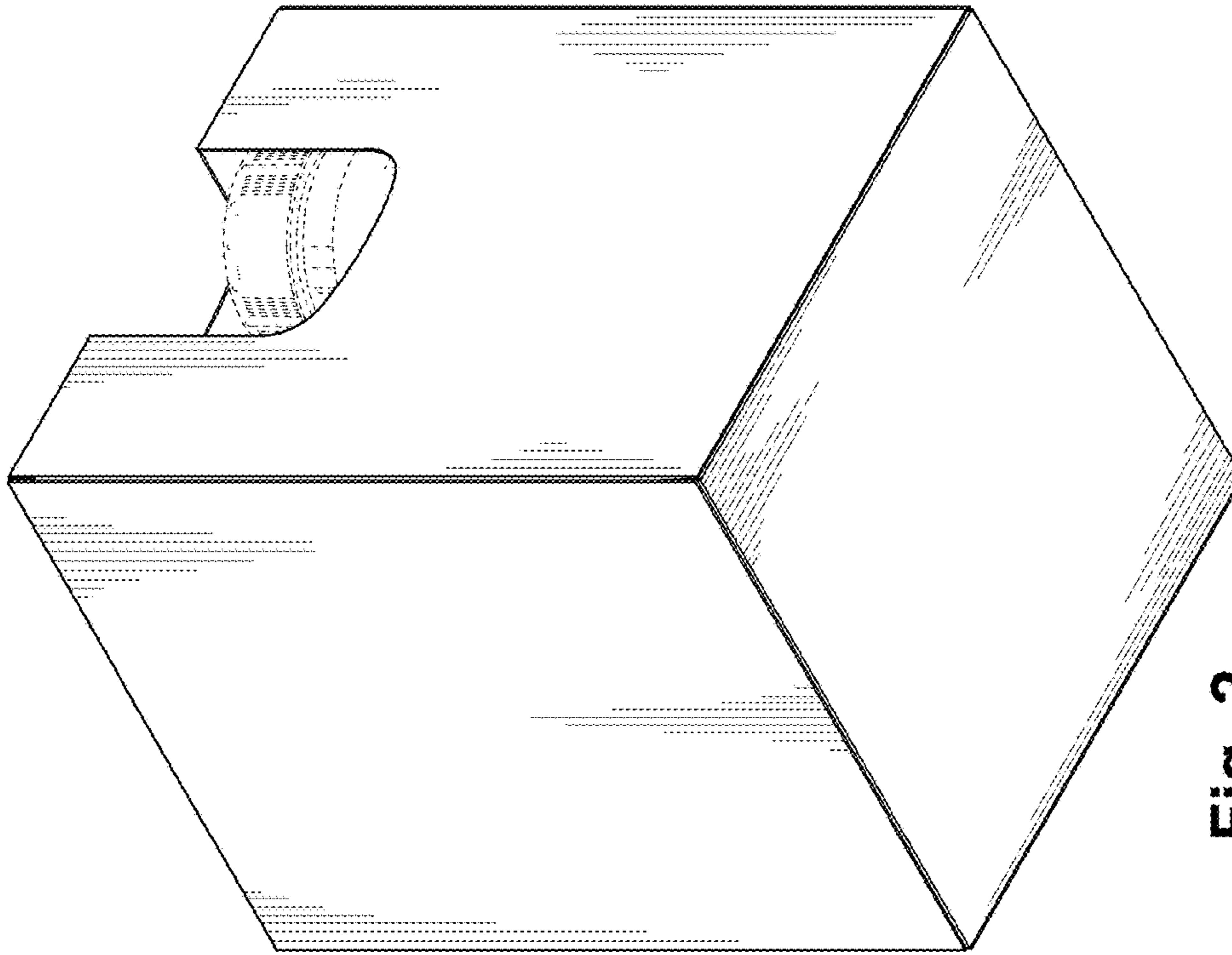


Fig. 2

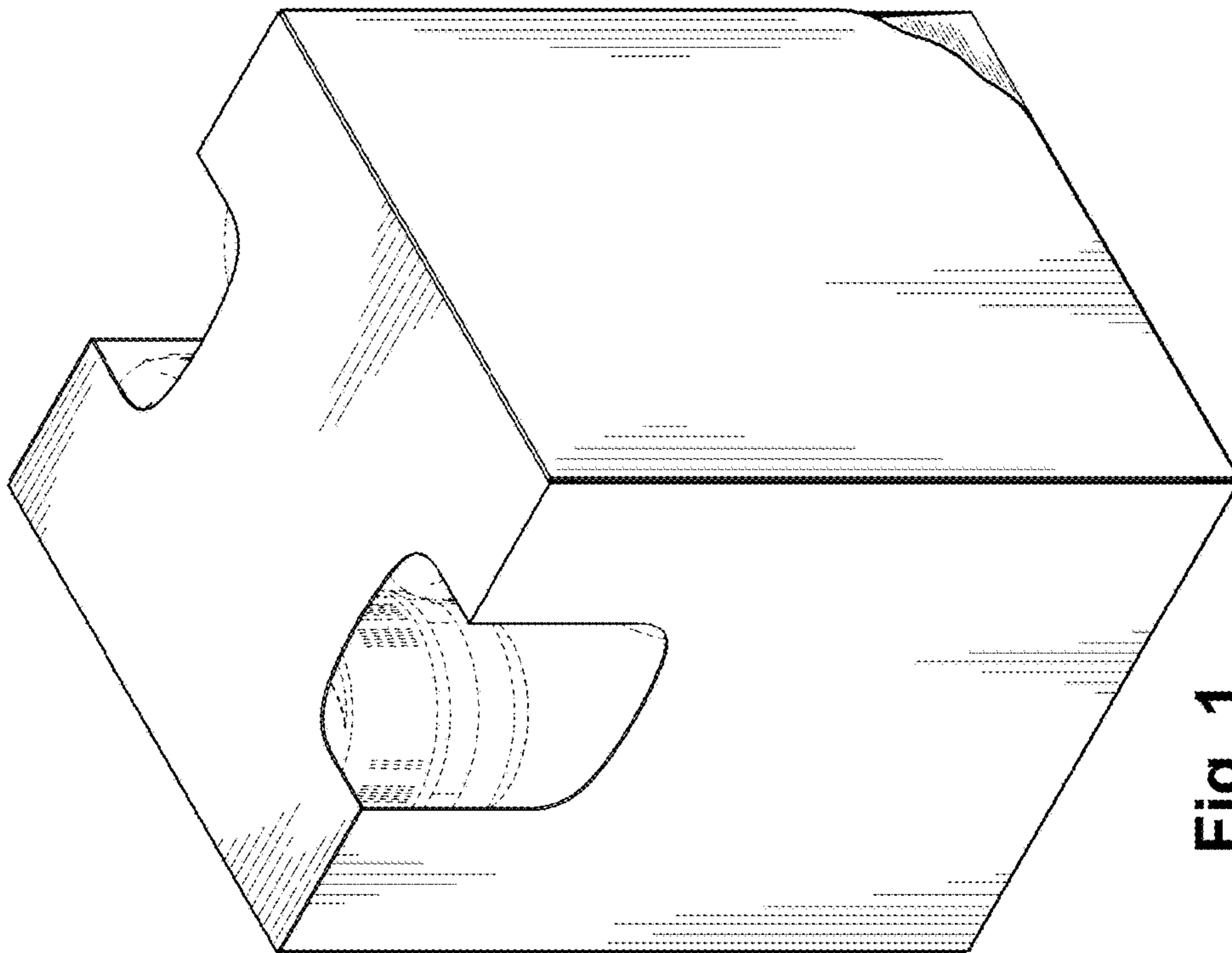


Fig. 1



Fig. 4

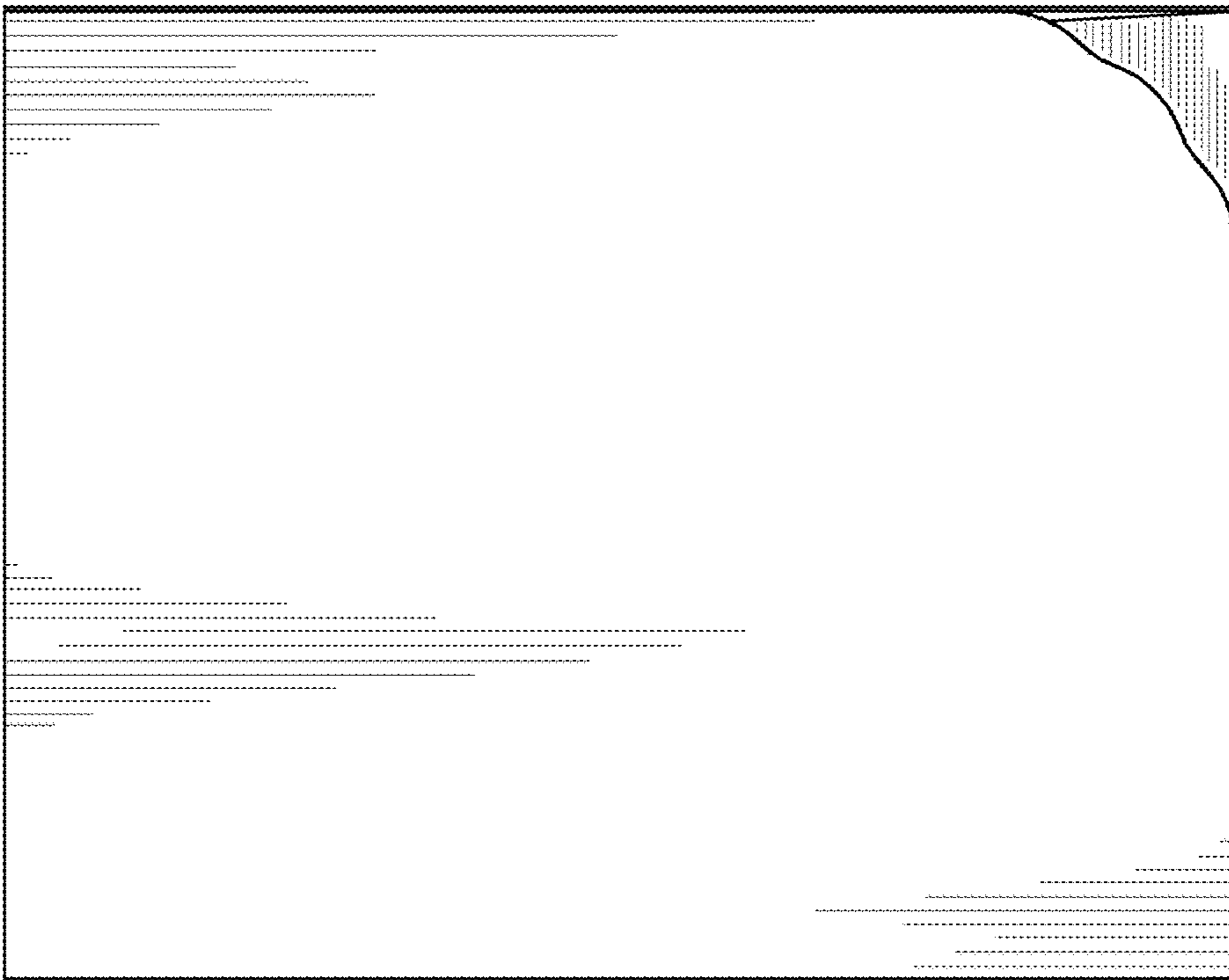


Fig. 3

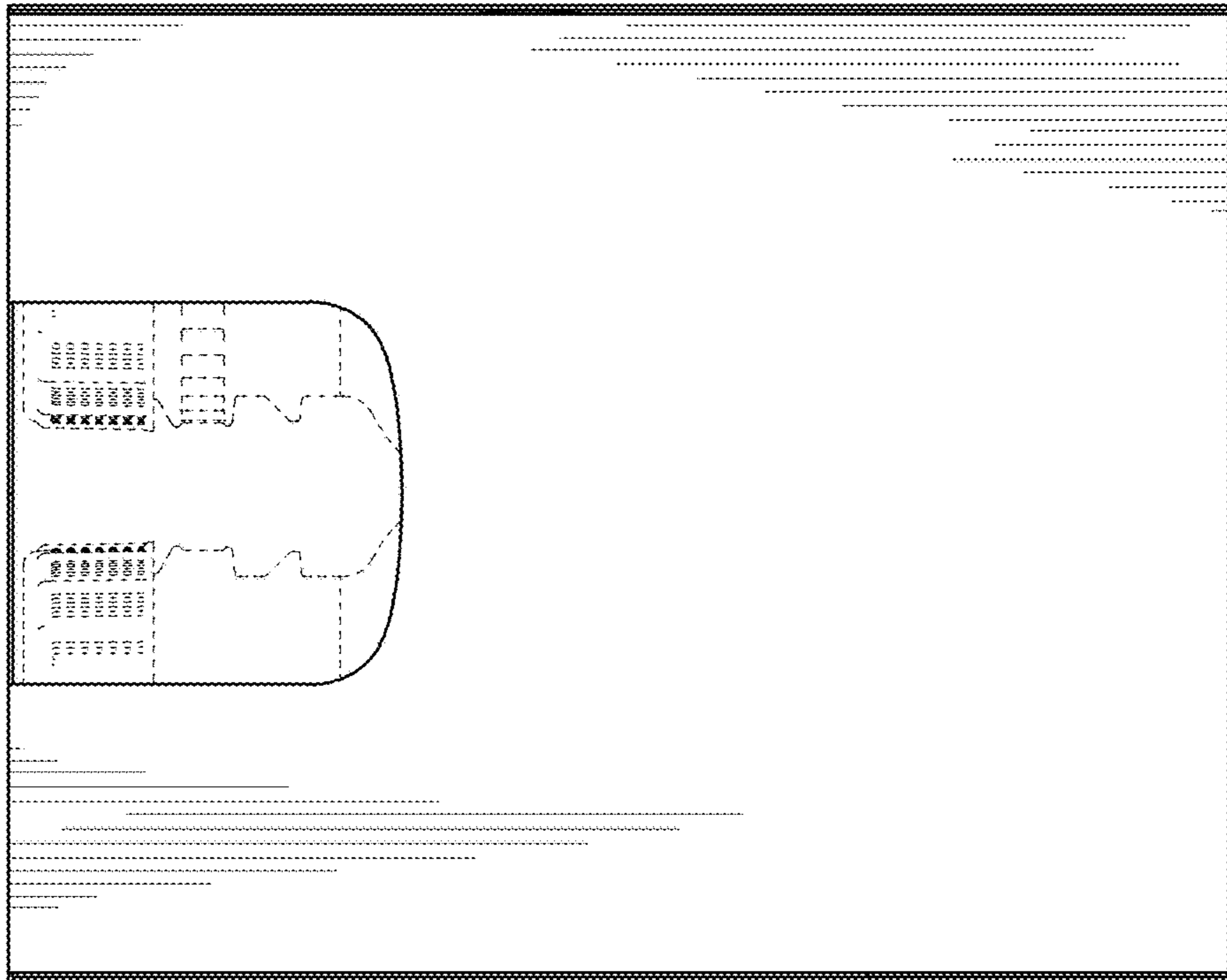


Fig. 5

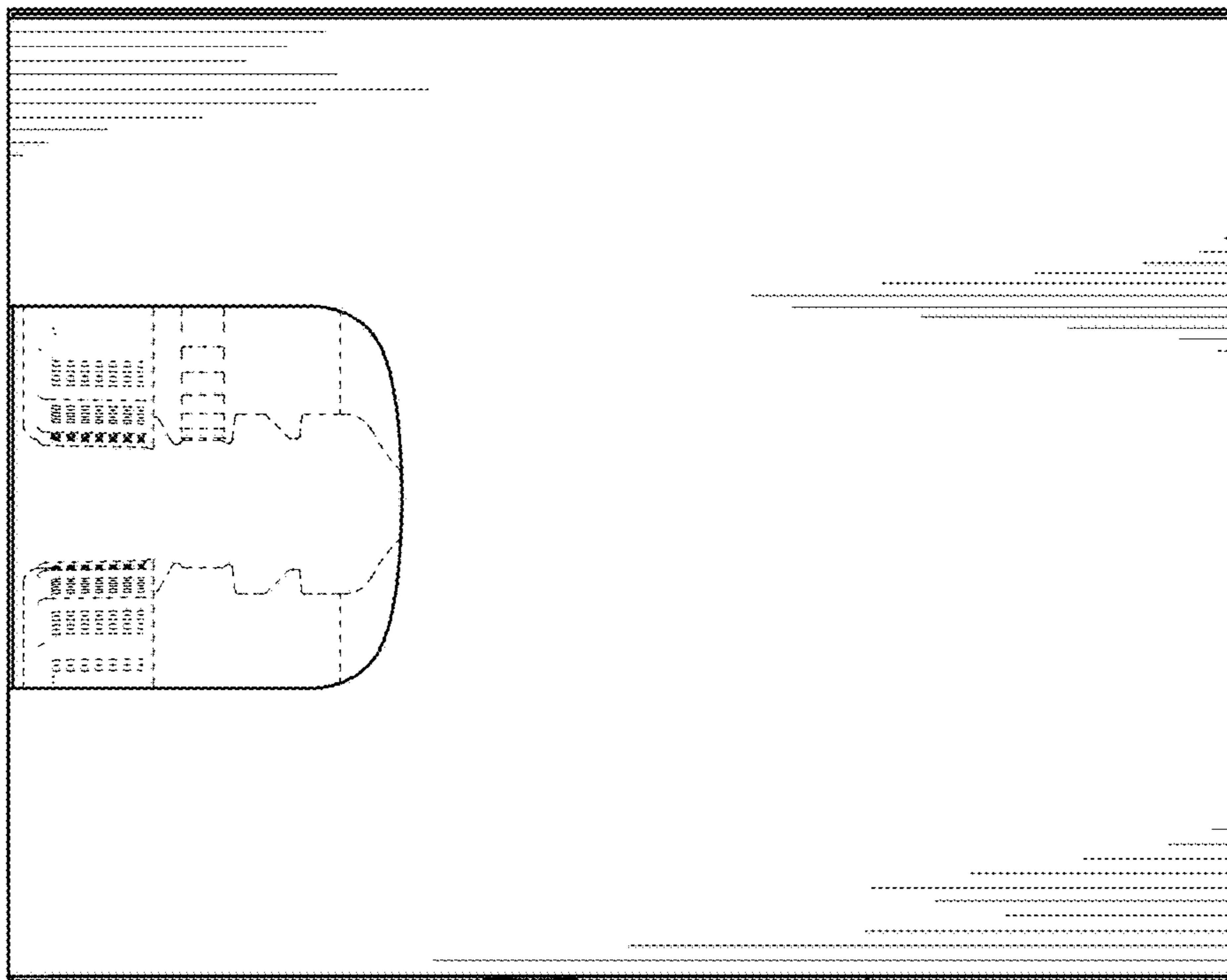


Fig. 6

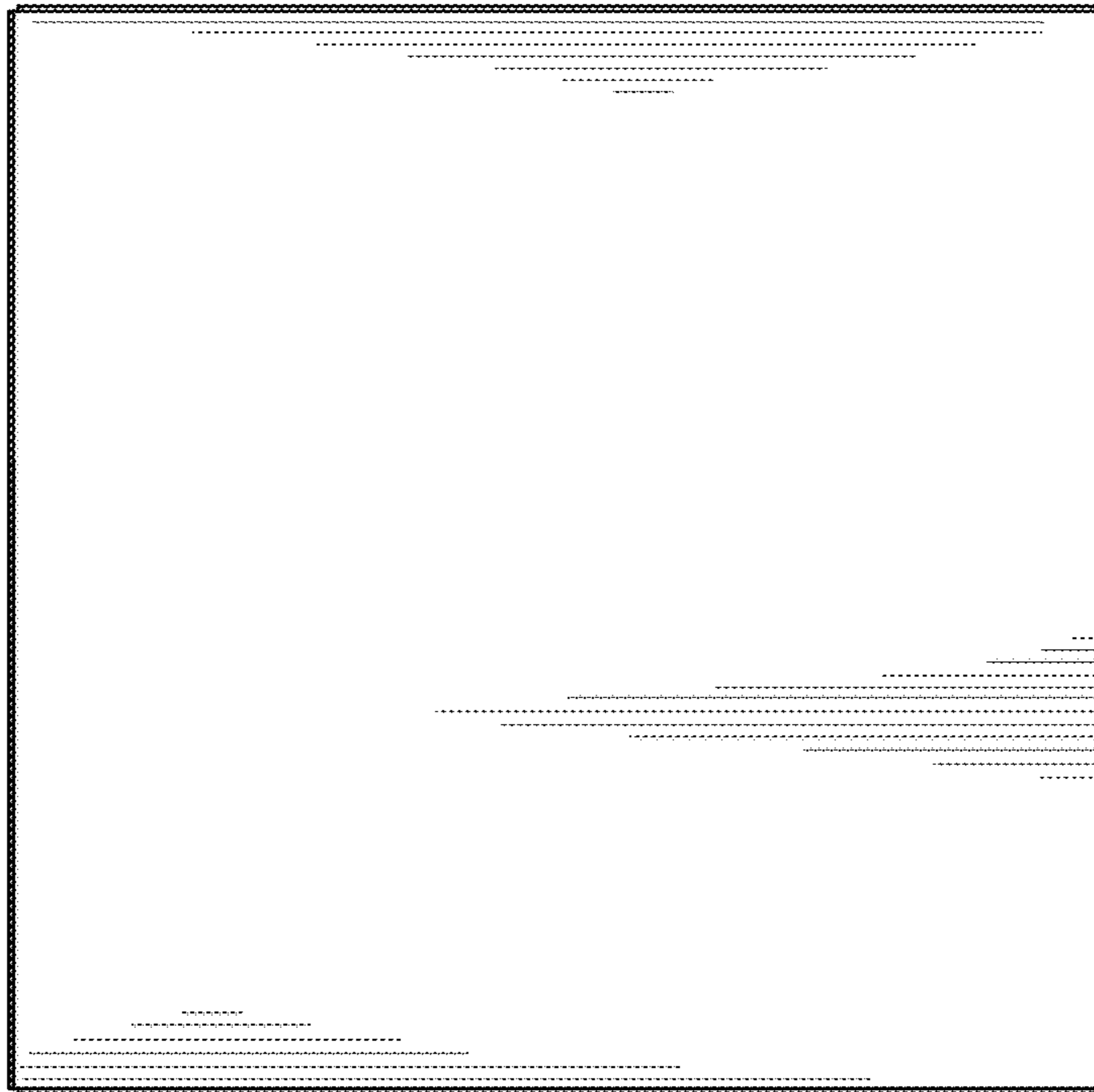


Fig. 8

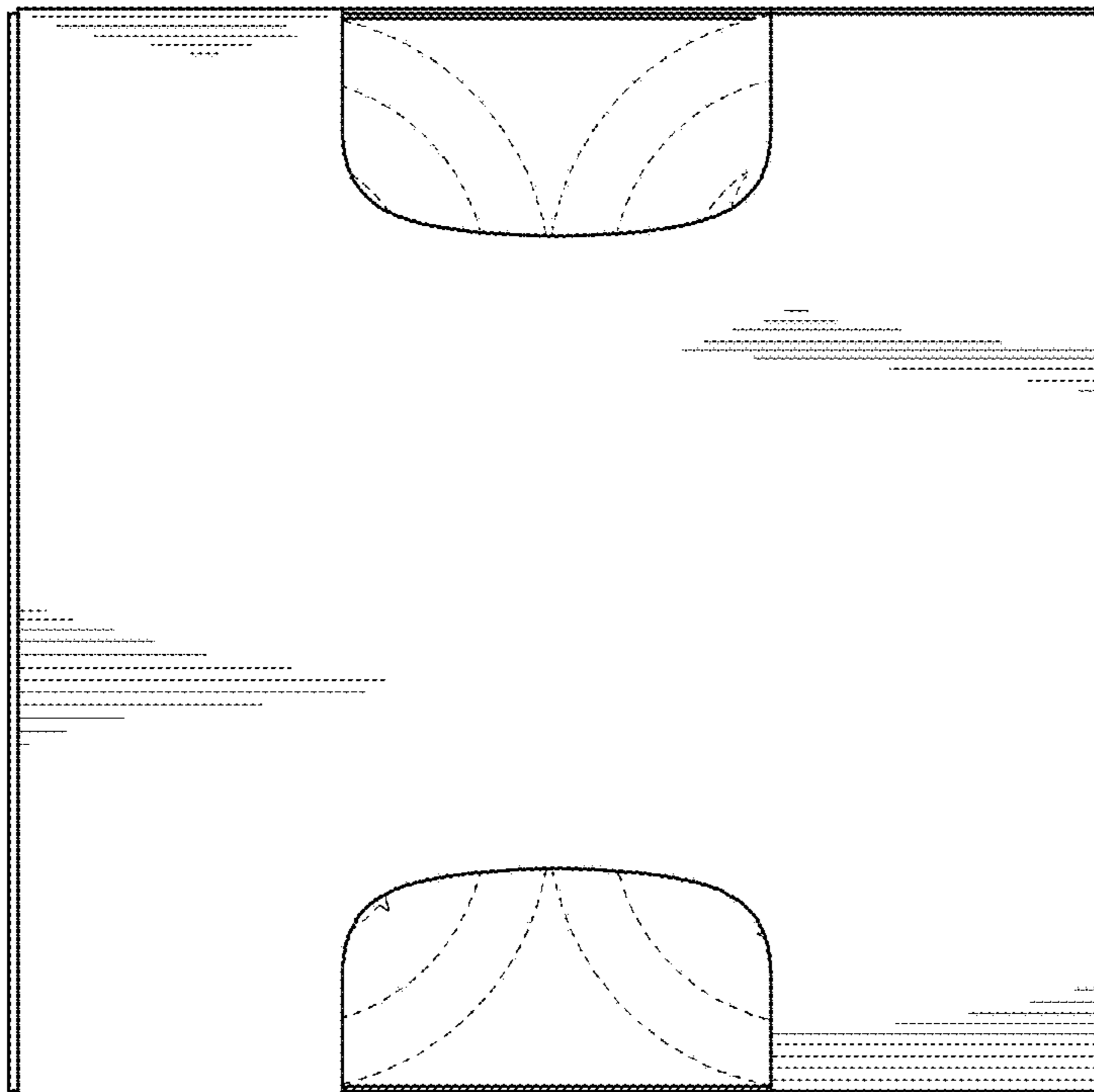


Fig. 7