



US00D804288S

(12) **United States Design Patent** (10) **Patent No.:** **US D804,288 S**
Keith et al. (45) **Date of Patent:** **** Dec. 5, 2017**

(54) **TIE FOR COMPOSITE WALL**

(71) Applicant: **HK MARKETING LC**, American Fork, UT (US)

(72) Inventors: **David O. Keith**, American Fork, UT (US); **Jordan O. Keith**, Saratoga Springs, UT (US)

(73) Assignee: **HK Marketing LC**, American Fork, UT (US)

4,018,023 A 4/1977 Anderson
 4,393,635 A 7/1983 Long
 4,545,163 A 10/1985 Asselin
 (Continued)

FOREIGN PATENT DOCUMENTS

CA 2392892 1/2003
 CN 203891249 10/2014
 (Continued)

OTHER PUBLICATIONS

U.S. Appl. No. 14/841,260, filed Aug. 31, 2015, Keith et al.
 (Continued)

(**) Term: **15 Years**

(21) Appl. No.: **29/562,534**

(22) Filed: **Apr. 26, 2016**

Primary Examiner — Lakiya Rogers
Assistant Examiner — Harold E Blackwell, II
 (74) *Attorney, Agent, or Firm* — Workman Nydegger

Related U.S. Application Data

(63) Continuation of application No. 14/841,260, filed on Aug. 31, 2015.

(51) **LOC (10) Cl.** **08-05**

(52) **U.S. Cl.**
 USPC **D8/354; D8/384**

(58) **Field of Classification Search**
 USPC D8/382, 384, 386; 411/439, 451, 487, 411/456, 482; 52/701, 309, 250, 268, 52/410
 CPC F16B 25/0068; F16B 25/10; F16B 35/041; F16B 33/02
 See application file for complete search history.

(57) **CLAIM**

The ornamental design for a tie for composite wall, as shown and described.

DESCRIPTION

FIG. 1 is a perspective view of an ornamental design for a tie for composite wall according to the present invention; FIG. 2 is a top view of the tie for composite wall of FIG. 1; FIG. 3 is an opposite bottom view of the tie for composite wall of FIG. 1; FIG. 4 is a first side view of the tie for composite wall of FIG. 1; FIG. 5 is an opposite second side view of the tie for composite wall of FIG. 1; FIG. 6 is a front end view of the tie for composite wall of FIG. 1; and, FIG. 7 is an opposite rear end view of the tie for composite wall of FIG. 1.

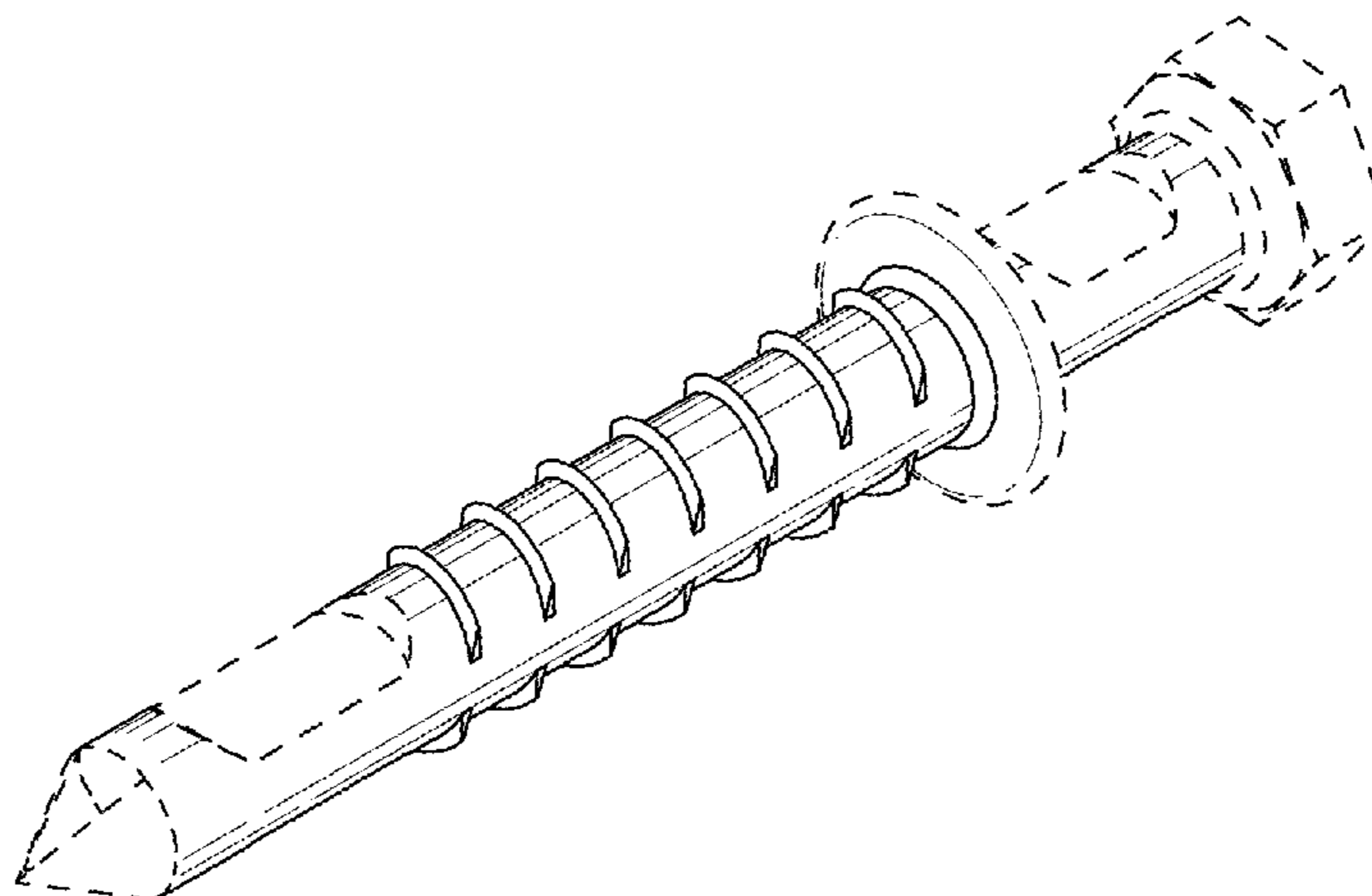
The broken lines in the drawings illustrate portions of the tie for composite wall which form no part of the claimed design.

(56) **References Cited**

U.S. PATENT DOCUMENTS

1,511,711 A 10/1924 Atwell
 1,876,683 A 9/1932 Johnson et al.
 2,645,929 A 12/1948 Jones
 D189,259 S * 11/1960 Hughes et al. D25/199
 D214,086 S * 5/1969 Powell D25/199

1 Claim, 2 Drawing Sheets



(56)

References Cited

U.S. PATENT DOCUMENTS

D284,267 S * 6/1986 Lindell D8/385
 D286,180 S 10/1986 Korthoff
 4,754,758 A 7/1988 Li
 D298,916 S 12/1988 Beatty
 4,829,733 A 5/1989 Long
 4,846,655 A 7/1989 Gulley
 4,994,073 A 2/1991 Green
 5,011,354 A * 4/1991 Brownlee F16B 15/00
 411/439
 5,223,675 A 6/1993 Taft
 D357,855 S 5/1995 Keith et al.
 5,415,507 A 5/1995 Janusz et al.
 5,433,558 A 7/1995 Gray
 5,509,636 A 4/1996 Cotugno
 5,519,973 A 5/1996 Keith et al.
 5,570,983 A 11/1996 Hollander
 5,606,832 A 3/1997 Keith et al.
 5,673,525 A 10/1997 Keith et al.
 5,692,356 A 12/1997 Baxter
 5,809,723 A 9/1998 Keith et al.
 5,830,399 A 11/1998 Keith et al.
 5,996,297 A 12/1999 Keith et al.
 6,112,491 A 9/2000 Keith et al.
 6,116,836 A 9/2000 Long
 6,138,981 A 10/2000 Keith et al.
 6,511,252 B1 1/2003 Andros
 D484,032 S 12/2003 Del Re
 6,854,229 B2 2/2005 Keith et al.
 6,895,720 B2 5/2005 Keith
 7,266,931 B2 9/2007 Long
 D581,776 S * 12/2008 Yin-Feng D8/387
 D614,942 S * 5/2010 Gaudron D8/387
 8,109,706 B2 2/2012 Richards
 8,365,501 B2 2/2013 Long, Sr.
 8,745,943 B2 6/2014 Ciuperca
 8,863,469 B2 10/2014 Curtis et al.
 8,910,445 B2 12/2014 Hohmann
 D728,044 S 4/2015 Boatwright
 9,169,635 B2 * 10/2015 Andrews E04B 1/4157

D744,646 S 12/2015 Nering et al.
 D764,266 S * 8/2016 Keith D25/199
 D773,926 S * 12/2016 Sweeney D8/387
 2004/0055247 A1 3/2004 Keith
 2004/0118067 A1 6/2004 Keith
 2004/0136803 A1 7/2004 Grosch
 2004/0237438 A1 12/2004 Keith et al.
 2005/0016095 A1 1/2005 Long, Sr.
 2006/0032166 A1 2/2006 Devalapura
 2009/0185880 A1 7/2009 Gong et al.
 2011/0094176 A1 * 4/2011 Bronner E04B 1/4178
 52/506.05
 2012/0266560 A1 10/2012 Panasik et al.
 2013/0074433 A1 3/2013 Ciuperca
 2013/0153628 A1 6/2013 Euteneuer
 2013/0218177 A1 8/2013 Miksza et al.
 2014/0260034 A1 9/2014 Ciuperca
 2017/0058520 A1 * 3/2017 Keith E04C 2/2885
 2017/0204895 A1 * 7/2017 Rodenhouse F16B 43/001

FOREIGN PATENT DOCUMENTS

JP 2004225265 8/2004
 RU 131396 8/2013

OTHER PUBLICATIONS

U.S. Appl. No. 29/531,564, filed Jun. 26, 2015, Keith et al.
Questions and Answers about System SC for Structurally Composite Concrete Sandwich Walls. Boone: Thermomass System SC, 2012. Print.
 Thermomass. "Insulated Cast-in-Place Construction Using Thermomass System CIP." Online video clip. *YouTube*. YouTube, Mar. 20, 2012. Web. Accessed Jan. 22, 2016. <<https://www.youtube.com/watch?v=VoHzDS9Yuwc>>.
 Thermomass. Thermomass System SC, n.d. Web. Accessed Jan. 22, 2016. <<http://www.thermomass.com/>>.
 U.S. Appl. No. 14/841,260, dated Jan. 15, 2016, Office Action.
 U.S. Appl. No. 29/531,564, dated Apr. 18, 2016, Notice of Allowance.

* cited by examiner

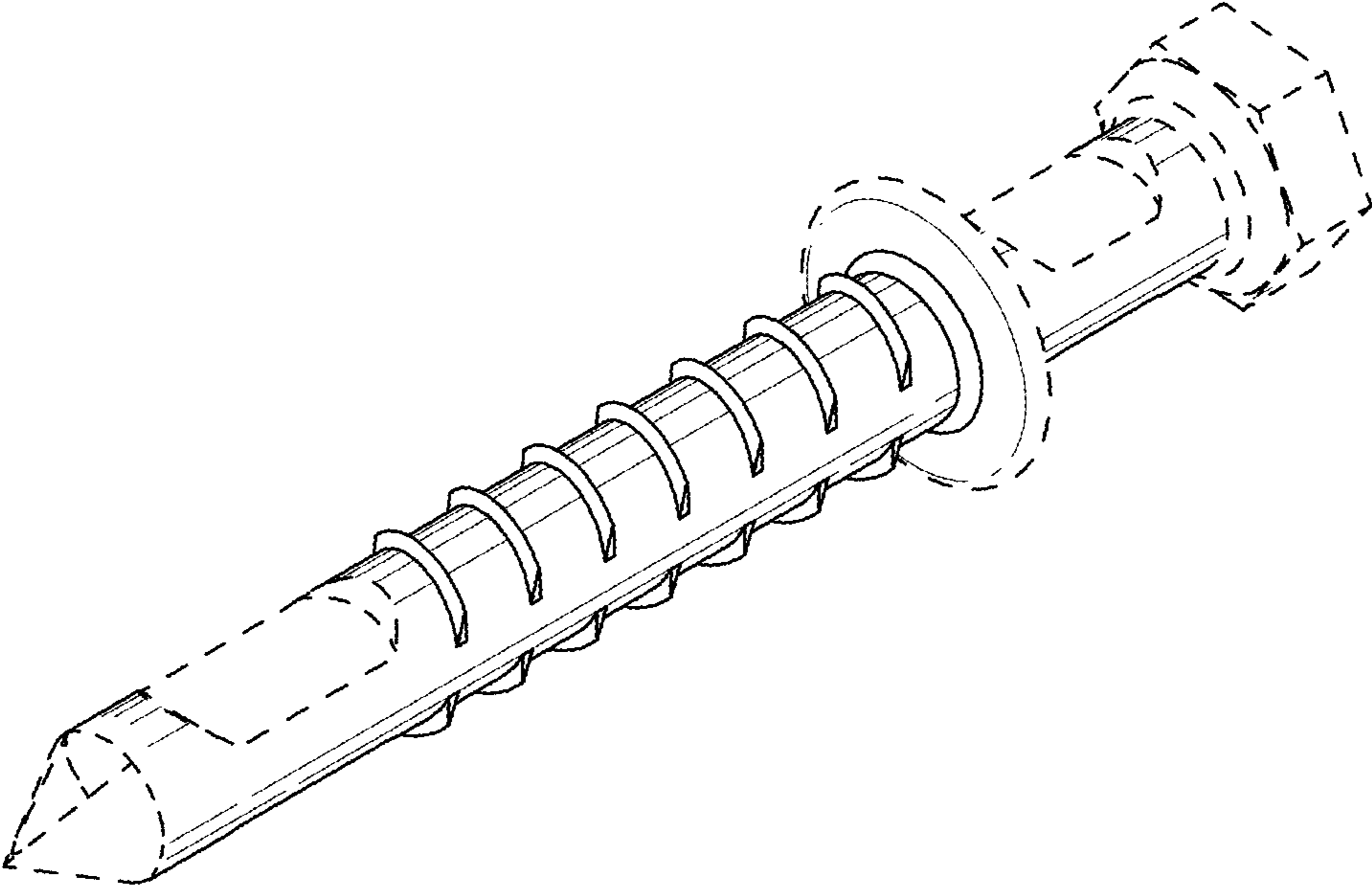


FIG. 1

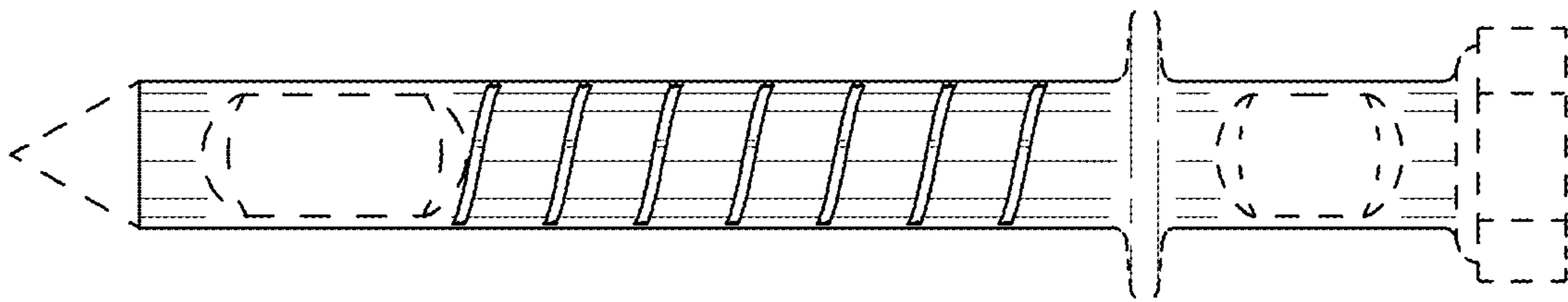


FIG. 2

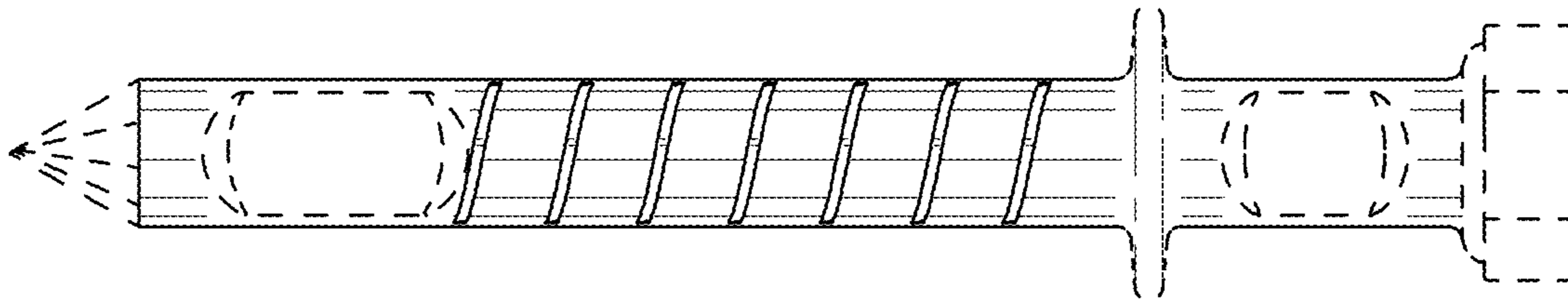


FIG. 3

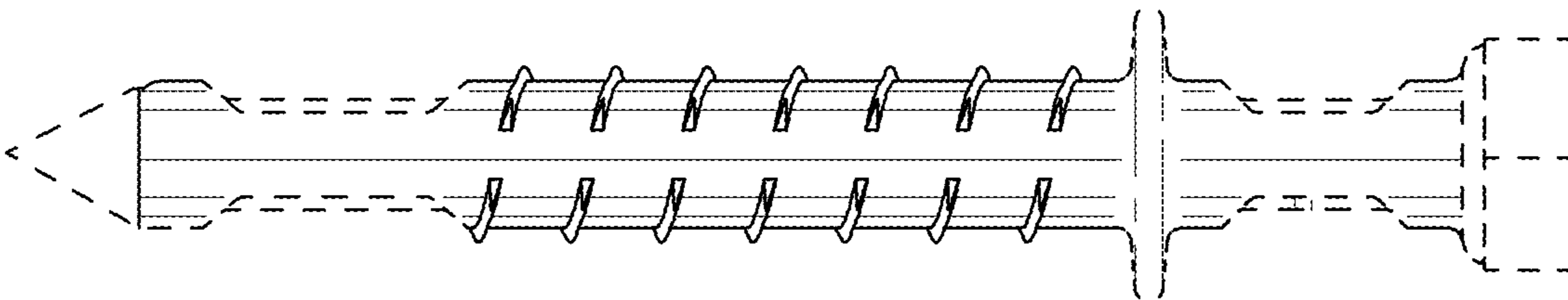


FIG. 4

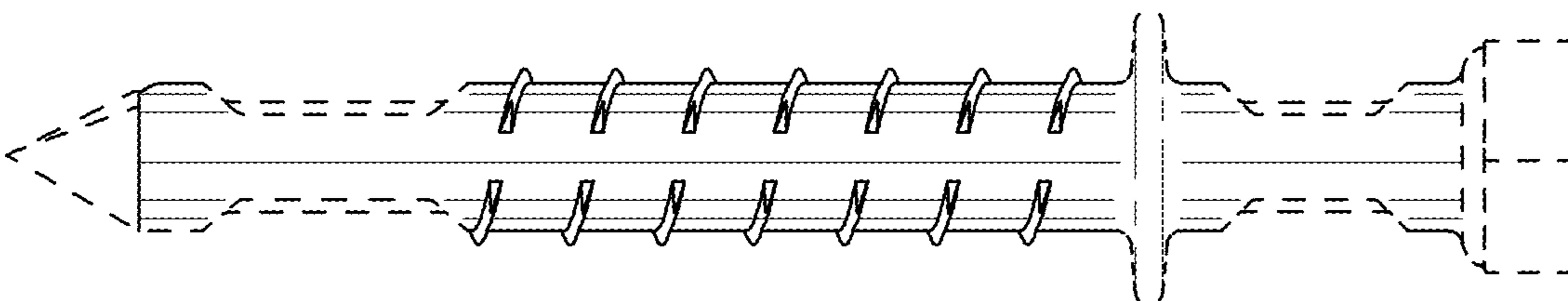


FIG. 5

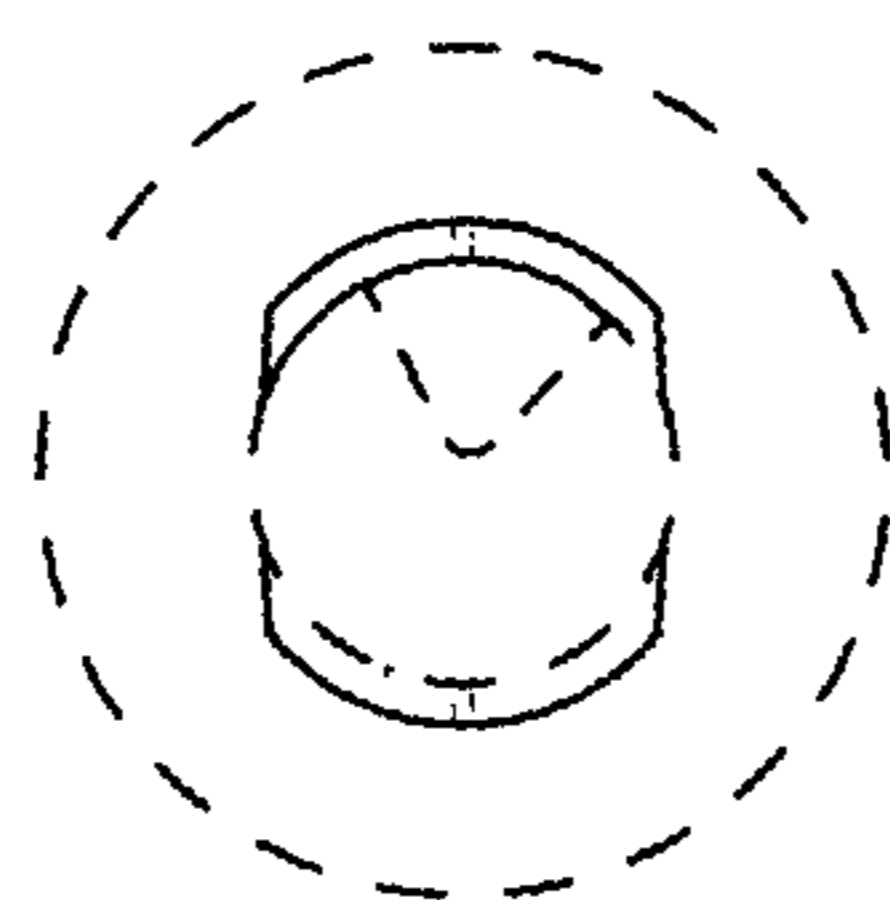


FIG. 6

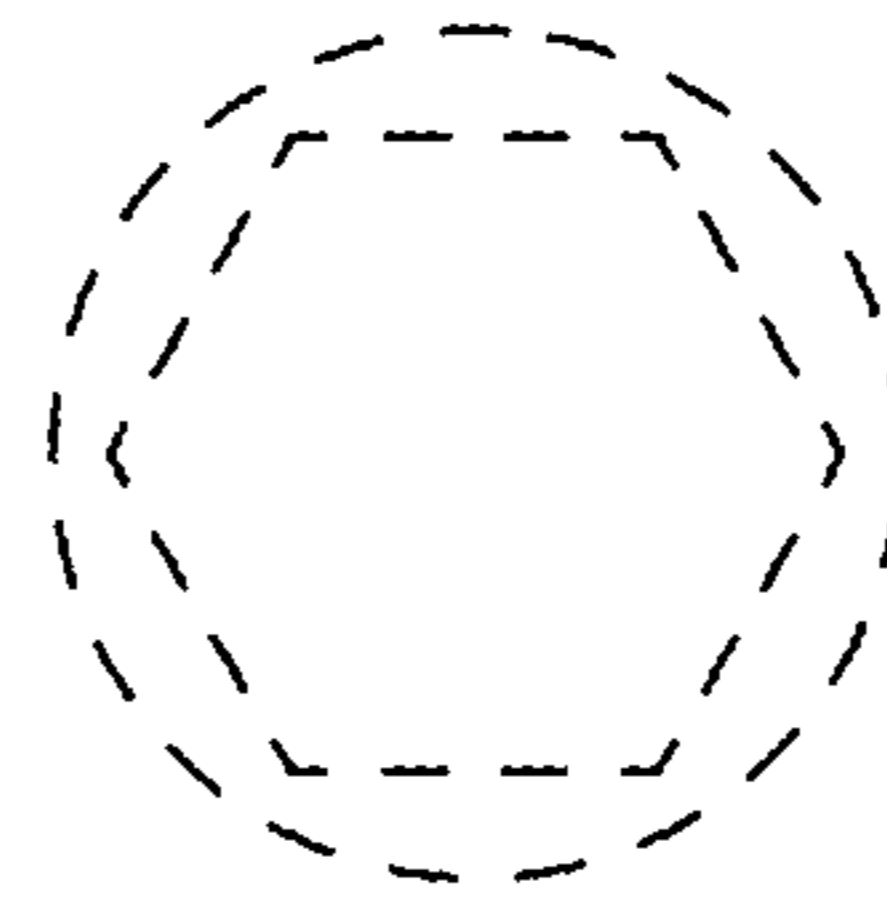


FIG. 7