

US00D804286S

(12) **United States Design Patent** (10) **Patent No.:** **US D804,286 S**
Rock et al. (45) **Date of Patent:** **** Dec. 5, 2017**

(54) **SUPPORT MOUNT**

(71) Applicants: **Ty Vyn Rock**, Marblehead, MA (US);
Alex Oksengendler, Buffalo Grove, IL (US)

(72) Inventors: **Ty Vyn Rock**, Marblehead, MA (US);
Alex Oksengendler, Buffalo Grove, IL (US)

(73) Assignee: **OSRAM SYLVANIA Inc.**, Wilmington, MA (US)

(**) Term: **15 Years**

(21) Appl. No.: **29/600,228**

(22) Filed: **Apr. 10, 2017**

(56) **References Cited**

U.S. PATENT DOCUMENTS

4,198,109	A *	4/1980	Ustin	H01R 33/0827 439/239
5,469,348	A *	11/1995	Wong	H01R 33/08 362/147
D371,861	S *	7/1996	Stamm	D26/140
D391,010	S *	2/1998	Shen	D26/140
5,904,415	A *	5/1999	Robertson	F21V 19/008 362/217.16
D457,977	S *	5/2002	Mier-Langner	D26/63
D493,425	S *	7/2004	Henrici	D13/134
D560,022	S *	1/2008	Niece	D26/138
D569,544	S *	5/2008	Aubrey	D26/138
D577,854	S *	9/2008	Tufano	D26/138
D583,322	S *	12/2008	Ohmori	D13/134
D583,323	S *	12/2008	Ohmori	D13/134
D583,760	S *	12/2008	Ohmori	D13/134
D591,237	S *	4/2009	Ohmori	D13/134
D594,416	S *	6/2009	Ohmori	D13/134

(Continued)

Primary Examiner — Mark Goodwin

(74) *Attorney, Agent, or Firm* — Shaun P. Montana

(57) **CLAIM**

The ornamental design for a support mount, as shown and described.

DESCRIPTION

FIG. 1 is a perspective view of an embodiment of the ornamental design of the support mount.

FIG. 2 is a front view thereof.

FIG. 3 is a back view thereof.

FIG. 4 is a left view thereof.

FIG. 5 is a right view thereof.

FIG. 6 is a top view thereof; and,

FIG. 7 is a bottom view thereof.

The broken-line disclosure in the views is understood to represent portions of the article in which the claimed design is embodied, but which form no part of the claimed design.

Related U.S. Application Data

(62) Division of application No. 29/492,244, filed on May 29, 2014, now Pat. No. Des. 794,419.

(51) **LOC (10) Cl.** **08-05**

(52) **U.S. Cl.**
USPC **D8/349**; D26/138

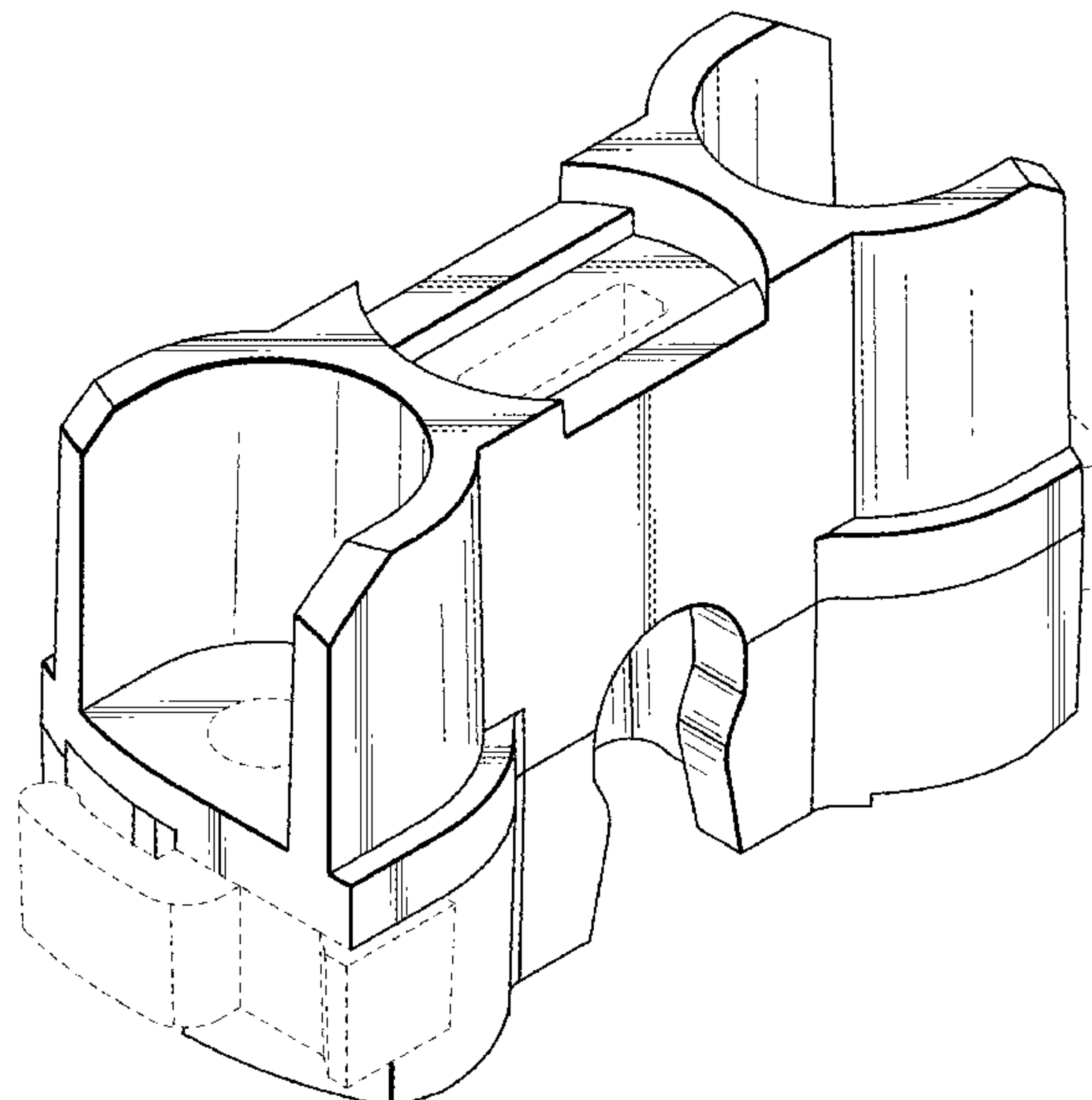
(58) **Field of Classification Search**

USPC D8/354; D26/138, 76, 78, 79, 80;
D12/135; 26/99, 81, 82, 83, 85, 86, 88,
26/90, 113, 118, 119, 120, 121, 122, 139,
26/140, 141, 142

CPC F28S 2/00; F21S 4/00; F21S 4/003; F21S
4/005; F21S 4/006; F21S 4/007; F21S
4/008; F21S 6/00; F21S 8/00; F21S
8/024; F21S 8/026; F21S 8/031; F21S
8/033; F21S 8/035–8/037; F21S 8/04;
F21S 8/043; F21S 8/063

See application file for complete search history.

1 Claim, 5 Drawing Sheets



(56)

References Cited

U.S. PATENT DOCUMENTS

7,597,575	B2 *	10/2009	Tufano	H01R 4/4818 439/239
D605,809	S *	12/2009	Noh	D26/76
D612,533	S *	3/2010	Kim	D26/138
D615,852	S *	5/2010	Sullivan	D8/380
D621,995	S *	8/2010	Redfern	D26/138
D621,996	S *	8/2010	Redfern	D26/138
8,123,540	B2 *	2/2012	Galluccio	H01R 33/08 439/241
8,333,602	B2 *	12/2012	Galluccio	H01R 33/0836 439/241
D737,772	S *	9/2015	Eustace	D13/134
D746,510	S *	12/2015	Antony	D26/138

* cited by examiner

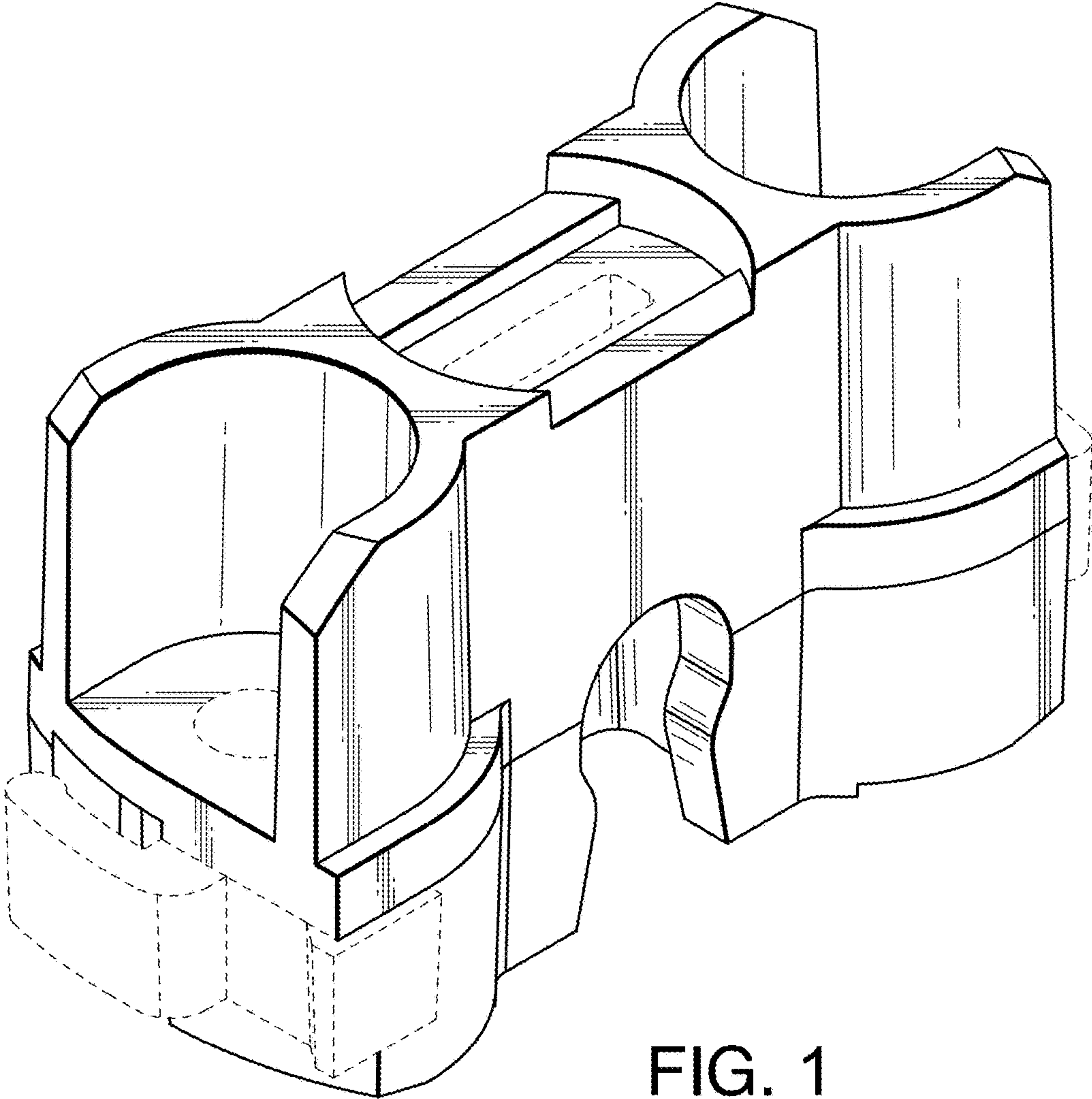


FIG. 1

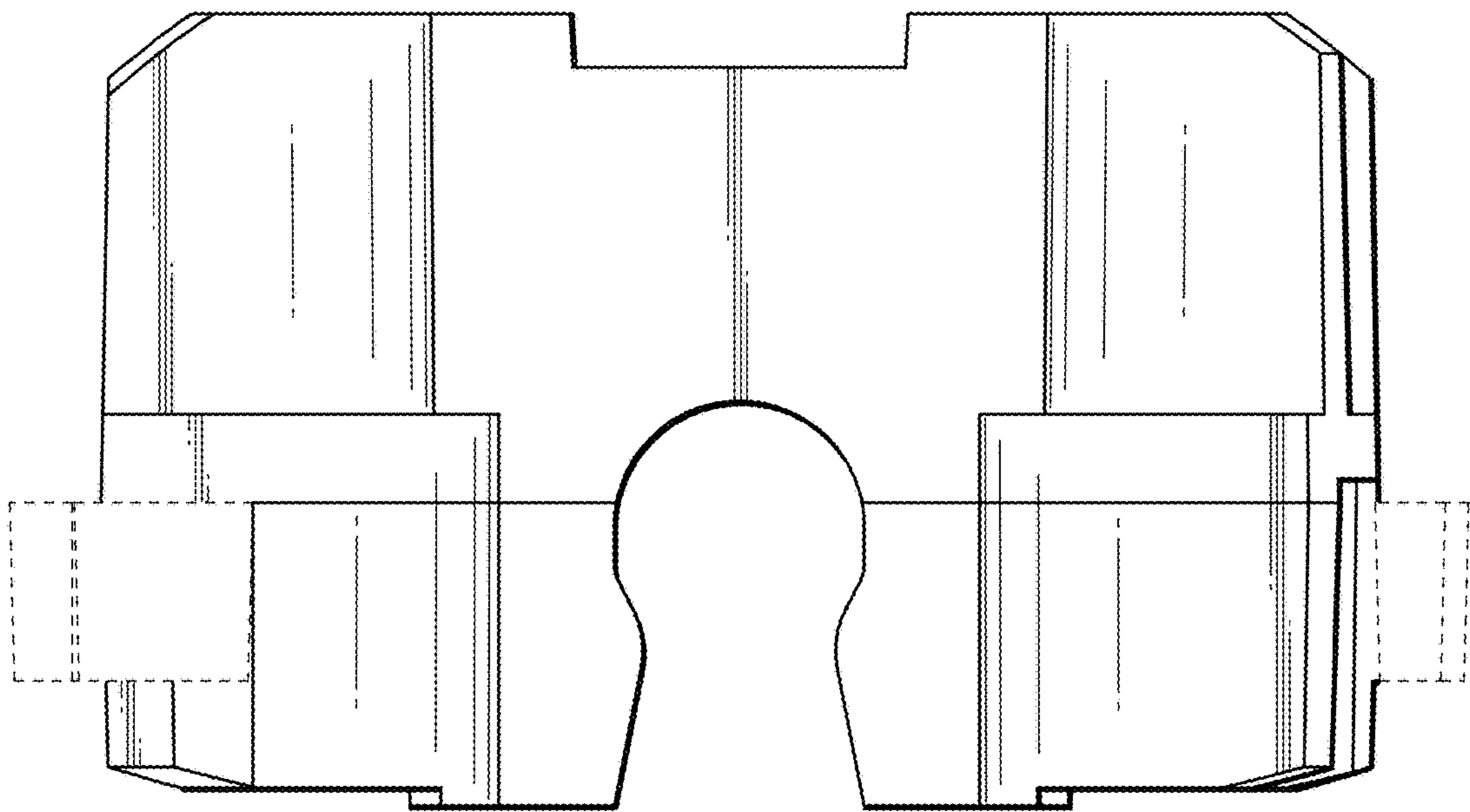


FIG. 2

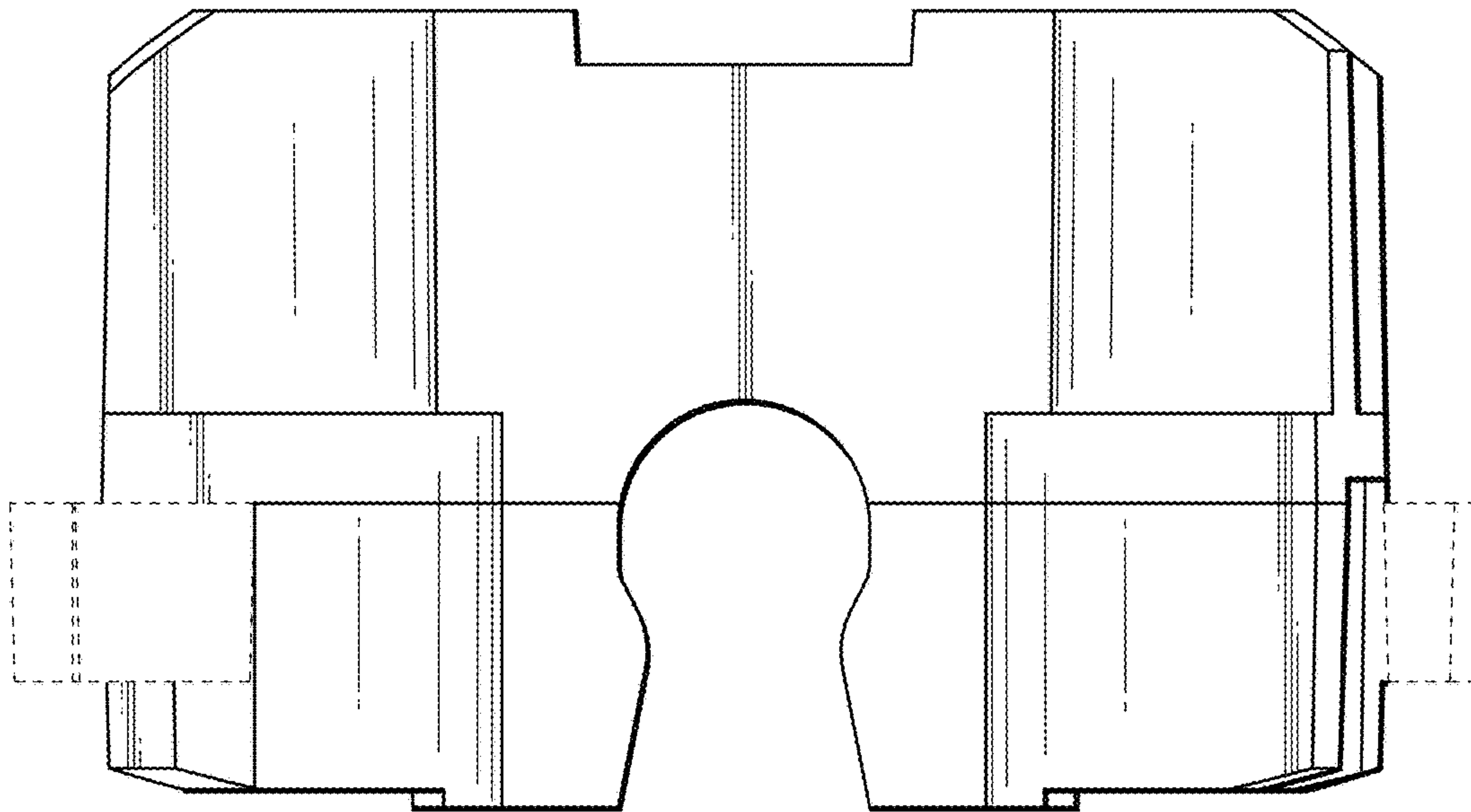


FIG. 3

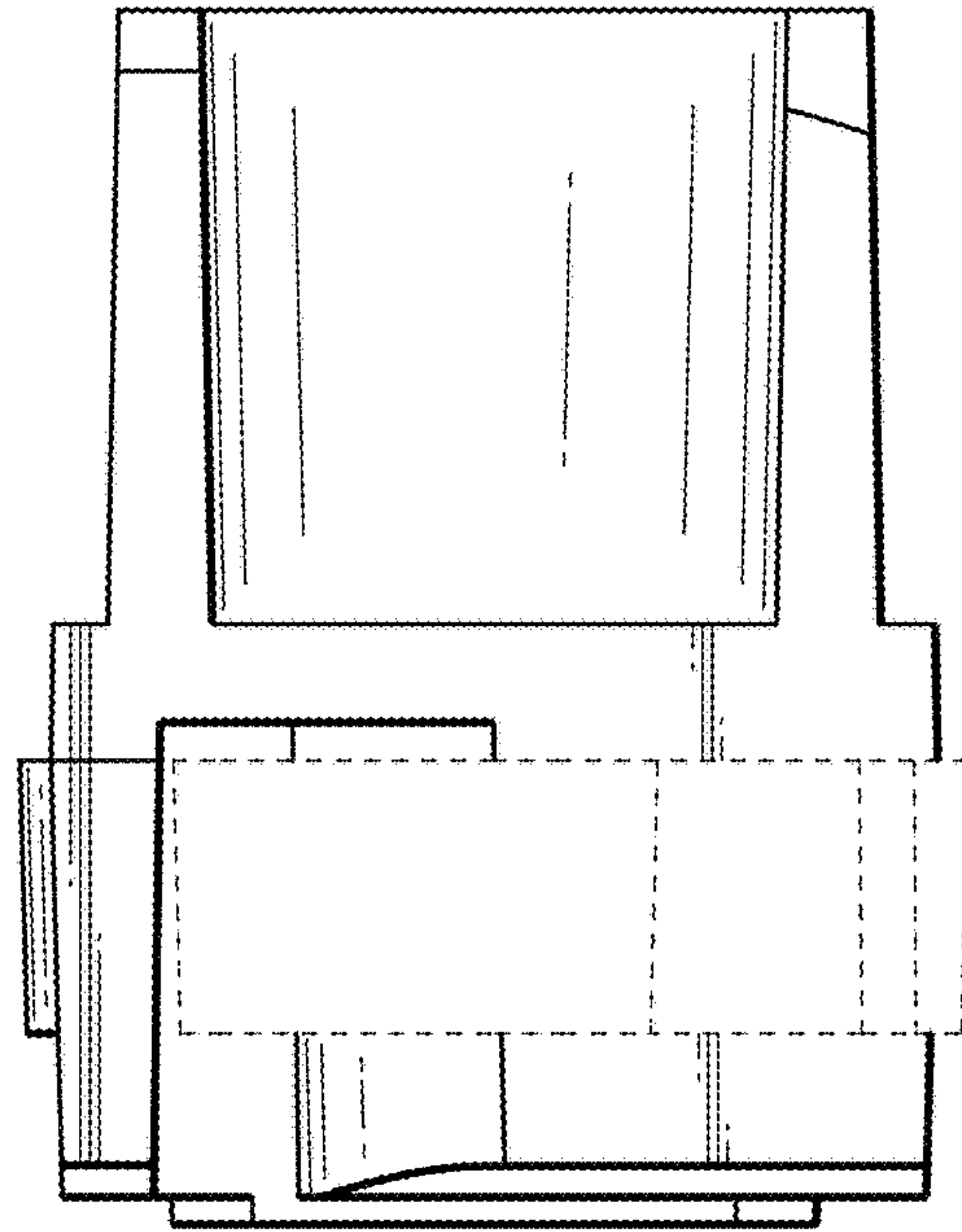


FIG. 4

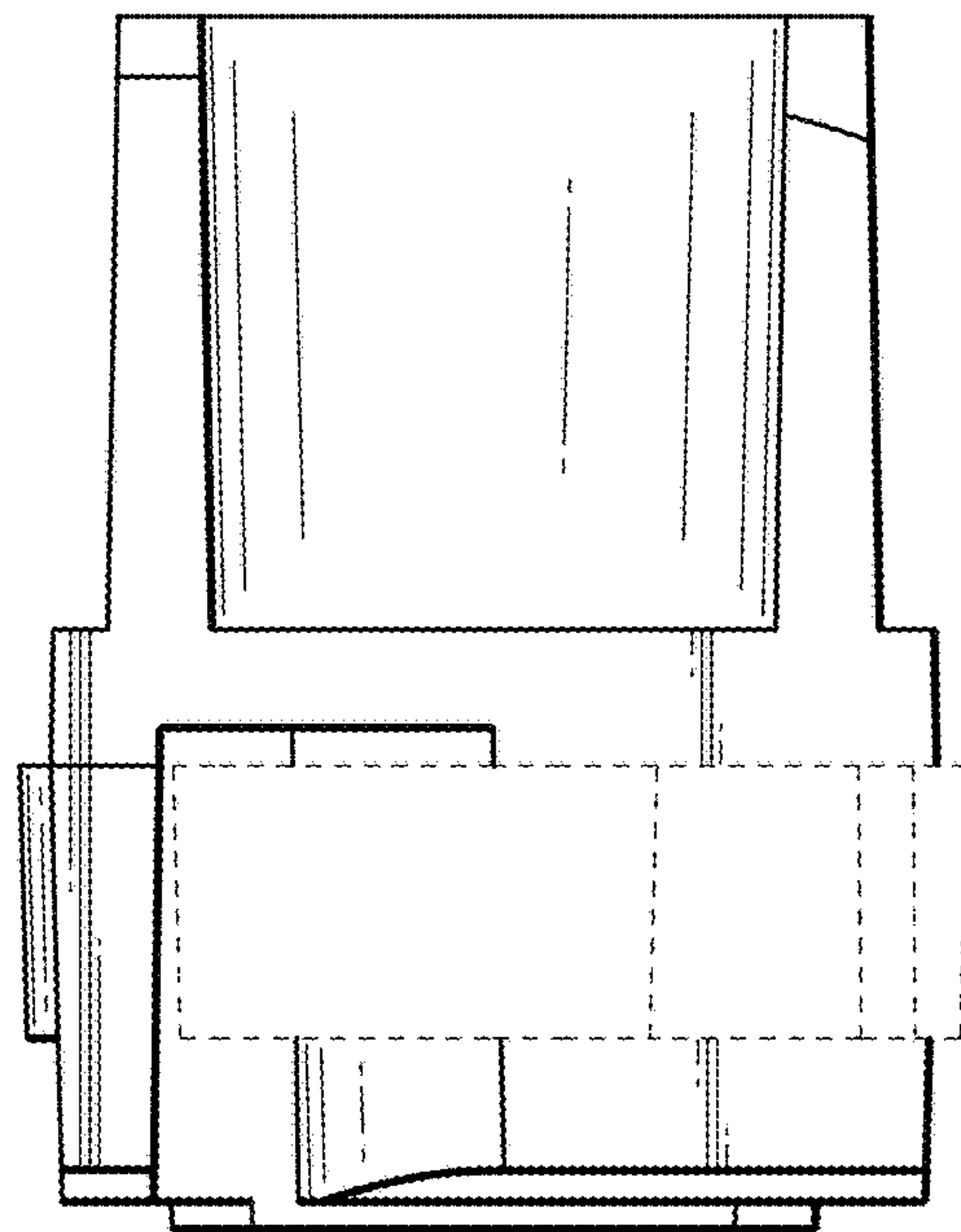


FIG. 5

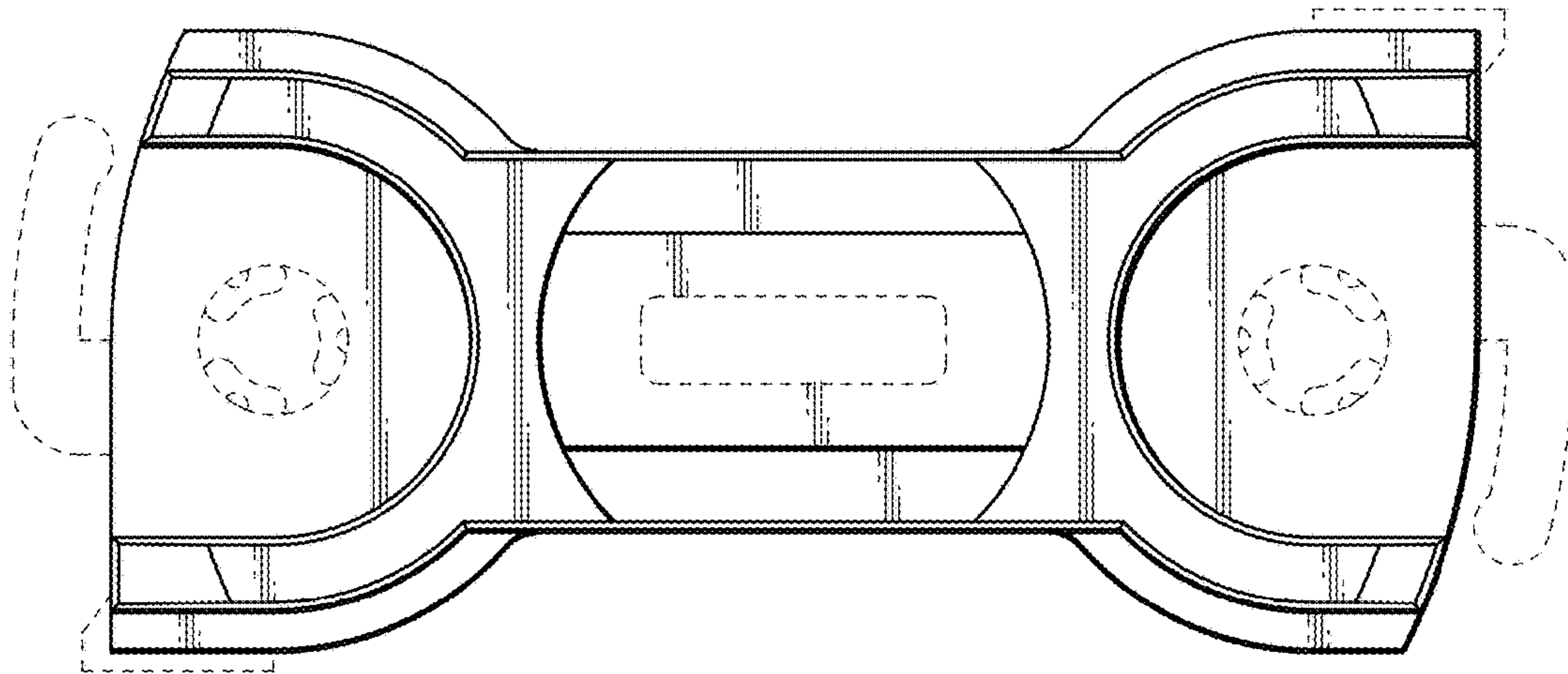


FIG. 6

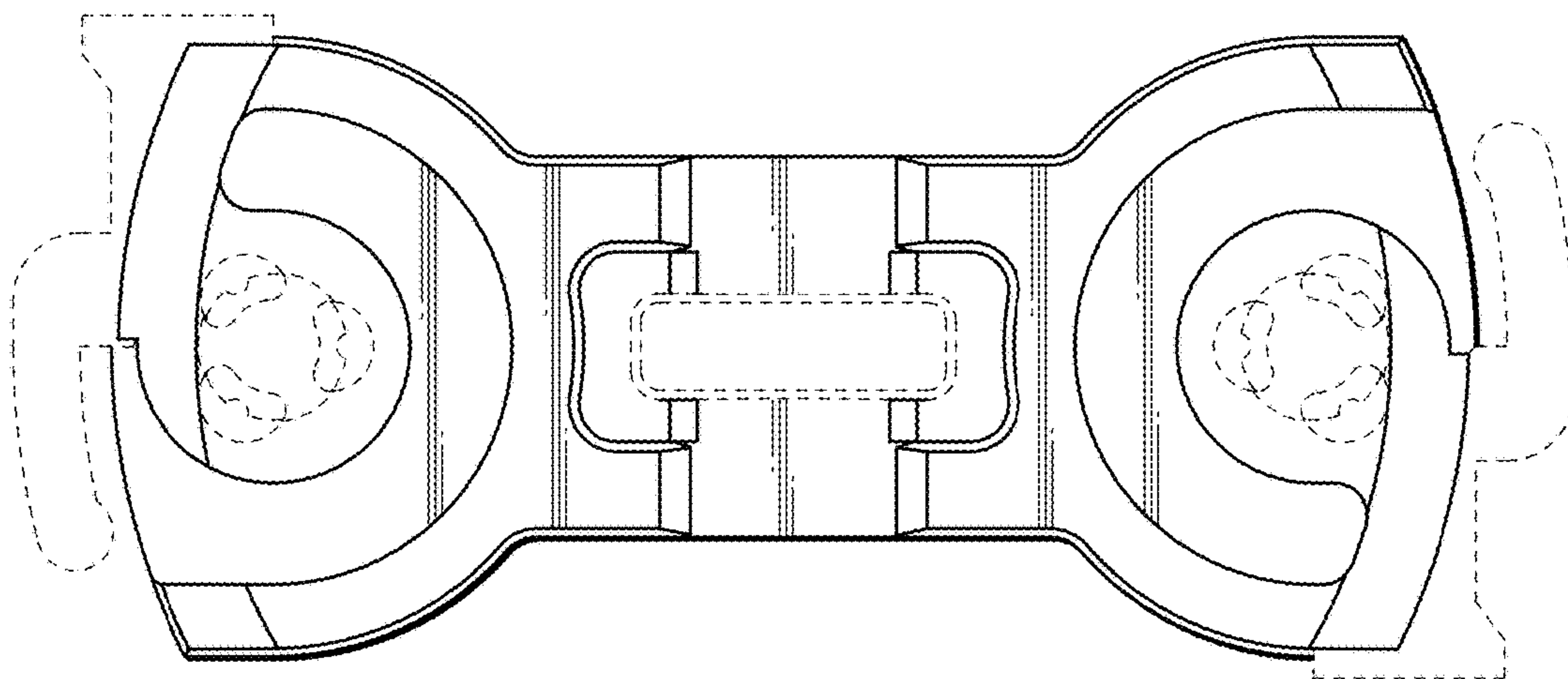


FIG. 7