



US00D804285S

(12) **United States Design Patent** (10) **Patent No.:** **US D804,285 S**
Rock et al. (45) **Date of Patent:** **** Dec. 5, 2017**

(54) **SUPPORT MOUNT**

(71) Applicants: **Ty Vyn Rock**, Marblehead, MA (US);
Alex Oksengendler, Buffalo Grove, IL (US)

(72) Inventors: **Ty Vyn Rock**, Marblehead, MA (US);
Alex Oksengendler, Buffalo Grove, IL (US)

(73) Assignee: **OSRAM SYLVANIA Inc.**, Wilmington, MA (US)

(**) Term: **15 Years**

(21) Appl. No.: **29/600,222**

(22) Filed: **Apr. 10, 2017**

Related U.S. Application Data

(62) Division of application No. 29/492,244, filed on May 29, 2014, now Pat. No. Des. 794,419.

(51) **LOC (10) Cl.** **08-05**

(52) **U.S. Cl.**
USPC **D8/349**; D26/138

(58) **Field of Classification Search**
USPC D8/354; D26/138, 76, 78, 79, 80;
D12/135; 26/99, 81, 82, 83, 85, 86, 88,
26/90, 113, 118, 119, 120, 121, 122, 139,
26/140, 141, 142

CPC F28S 2/00; F21S 4/00; F21S 4/003; F21S
4/005; F21S 4/006; F21S 4/007; F21S
4/008; F21S 6/00; F21S 8/00; F21S
8/024; F21S 8/026; F21S 8/031; F21S
8/033; F21S 8/035-8/037; F21S 8/04;
F21S 8/043; F21S 8/063

See application file for complete search history.

(56) **References Cited**

U.S. PATENT DOCUMENTS

4,198,109	A *	4/1980	Ustin	H01R 33/0827 439/239
5,469,348	A *	11/1995	Wong	H01R 33/08 362/147
D371,861	S *	7/1996	Stamm	D26/140
D391,010	S *	2/1998	Shen	D26/140
5,904,415	A *	5/1999	Robertson	F21V 19/008 362/217.16
D457,977	S *	5/2002	Mier-Langner	D26/63
D493,425	S *	7/2004	Henrici	D13/134
D560,022	S *	1/2008	Niece	D26/138
D569,544	S *	5/2008	Aubrey	D26/138
D577,854	S *	9/2008	Tufano	D26/138
D583,322	S *	12/2008	Ohmori	D13/134
D583,323	S *	12/2008	Ohmori	D13/134
D583,760	S *	12/2008	Ohmori	D13/134
D591,237	S *	4/2009	Ohmori	D13/134
D594,416	S *	6/2009	Ohmori	D13/134
7,597,575	B2 *	10/2009	Tufano	H01R 4/4818 439/239
D605,809	S *	12/2009	Noh	D26/76
D612,533	S *	3/2010	Kim	D26/138
D615,852	S *	5/2010	Sullivan	D8/380

(Continued)

Primary Examiner — Mark Goodwin

(74) *Attorney, Agent, or Firm* — Shaun P. Montana

(57) **CLAIM**

The ornamental design for a support mount, as shown and described.

DESCRIPTION

FIG. 1 is a perspective view of an embodiment of the ornamental design of the support mount.

FIG. 2 is a front view thereof.

FIG. 3 is a back view thereof.

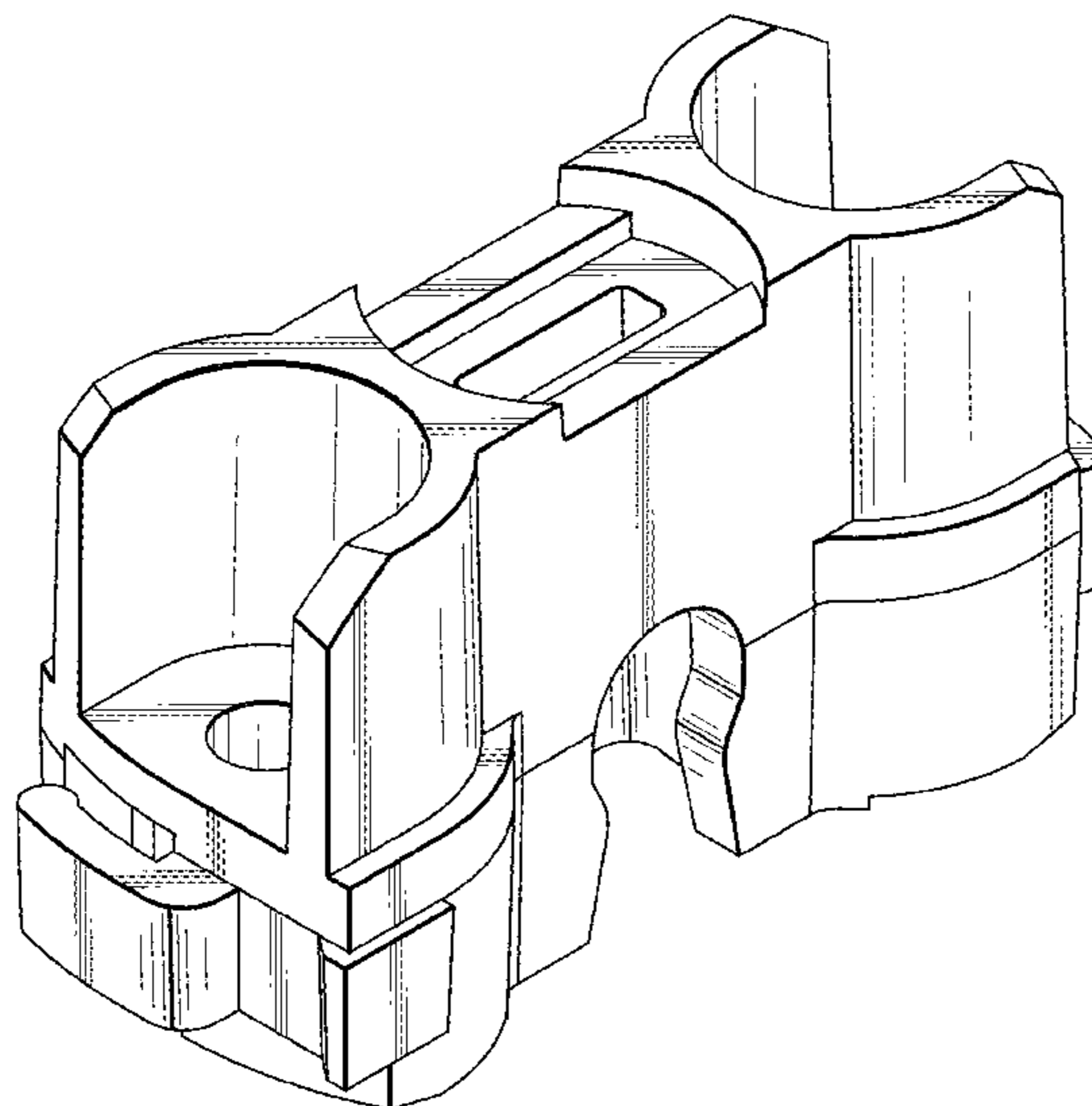
FIG. 4 is a left view thereof.

FIG. 5 is a right view thereof.

FIG. 6 is a top view thereof; and,

FIG. 7 is a bottom view thereof.

1 Claim, 5 Drawing Sheets



(56)

References Cited

U.S. PATENT DOCUMENTS

D621,995 S *	8/2010	Redfern	D26/138
D621,996 S *	8/2010	Redfern	D26/138
8,123,540 B2 *	2/2012	Galluccio	H01R 33/08 439/241
8,333,602 B2 *	12/2012	Galluccio	H01R 33/0836 439/241
D737,772 S *	9/2015	Eustace	D13/134
D746,510 S *	12/2015	Antony	D26/138

* cited by examiner

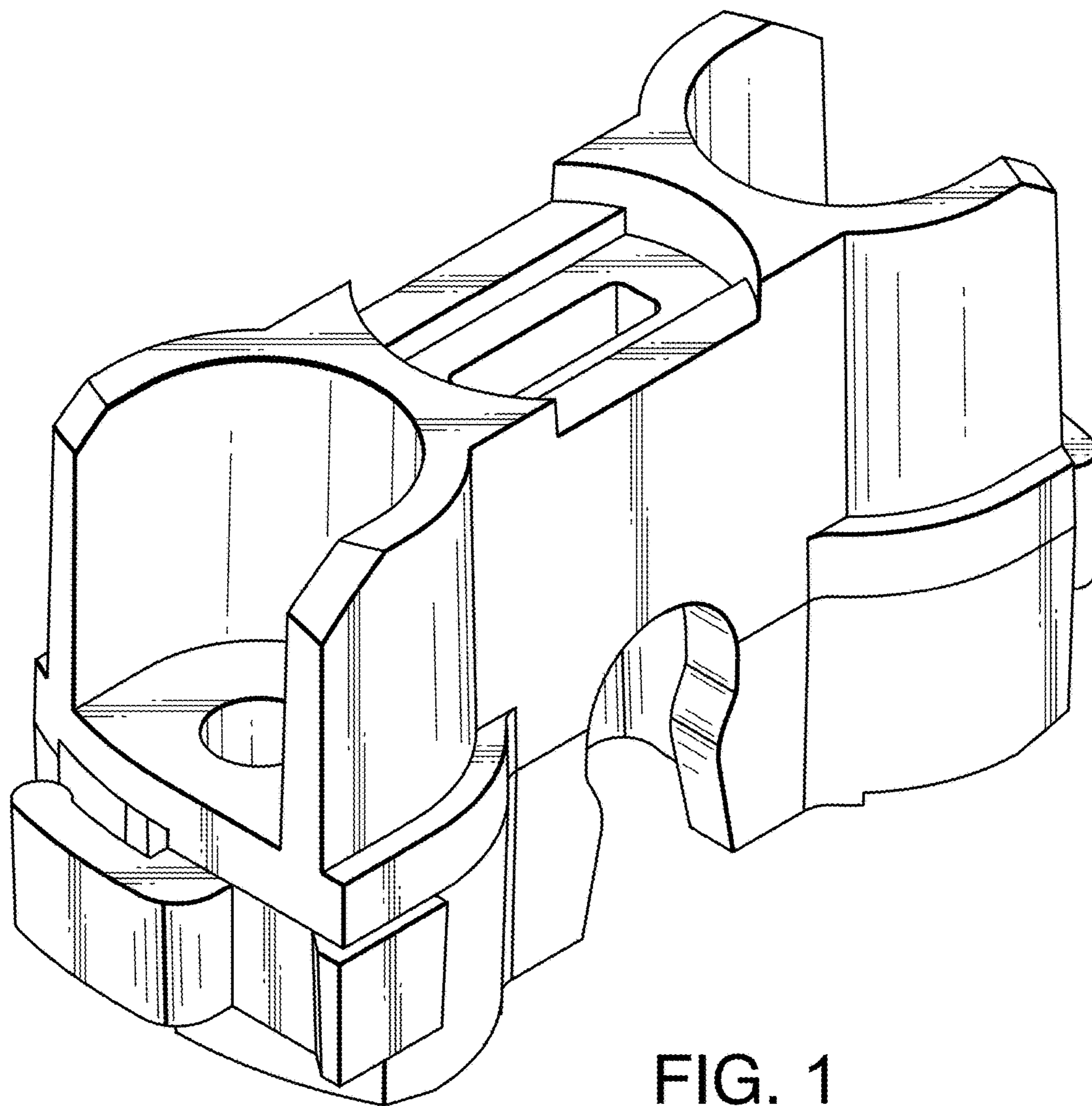


FIG. 1

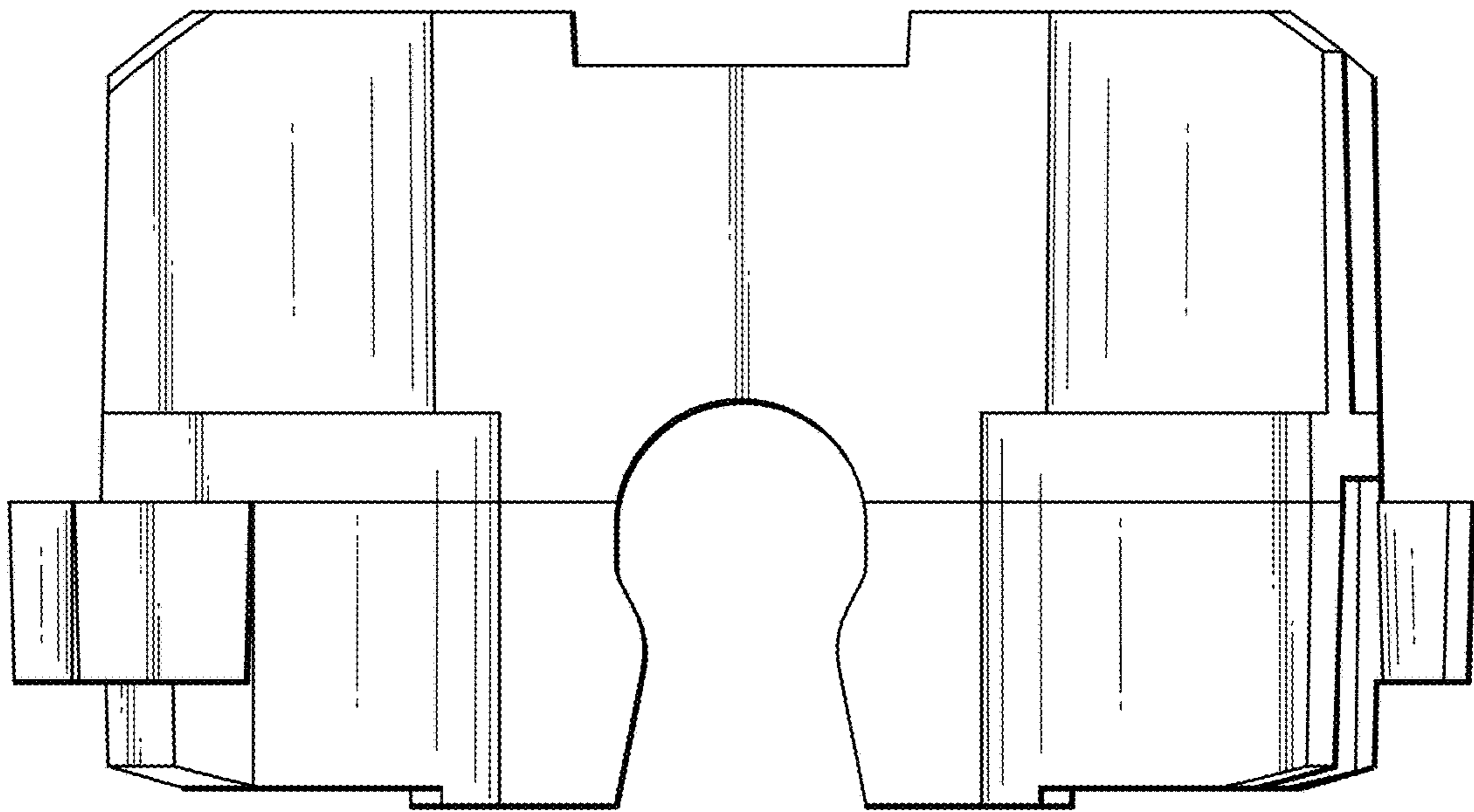


FIG. 2

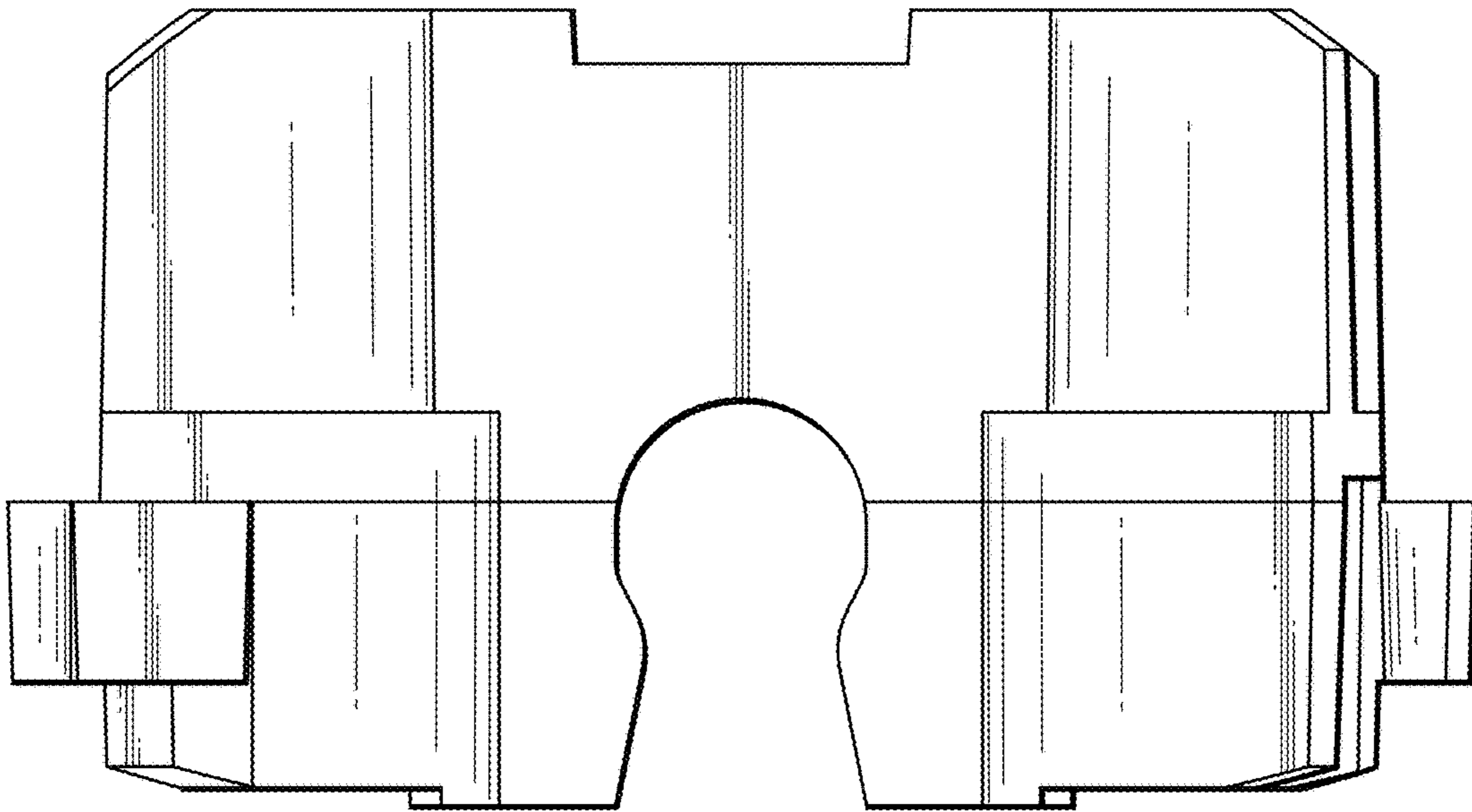


FIG. 3

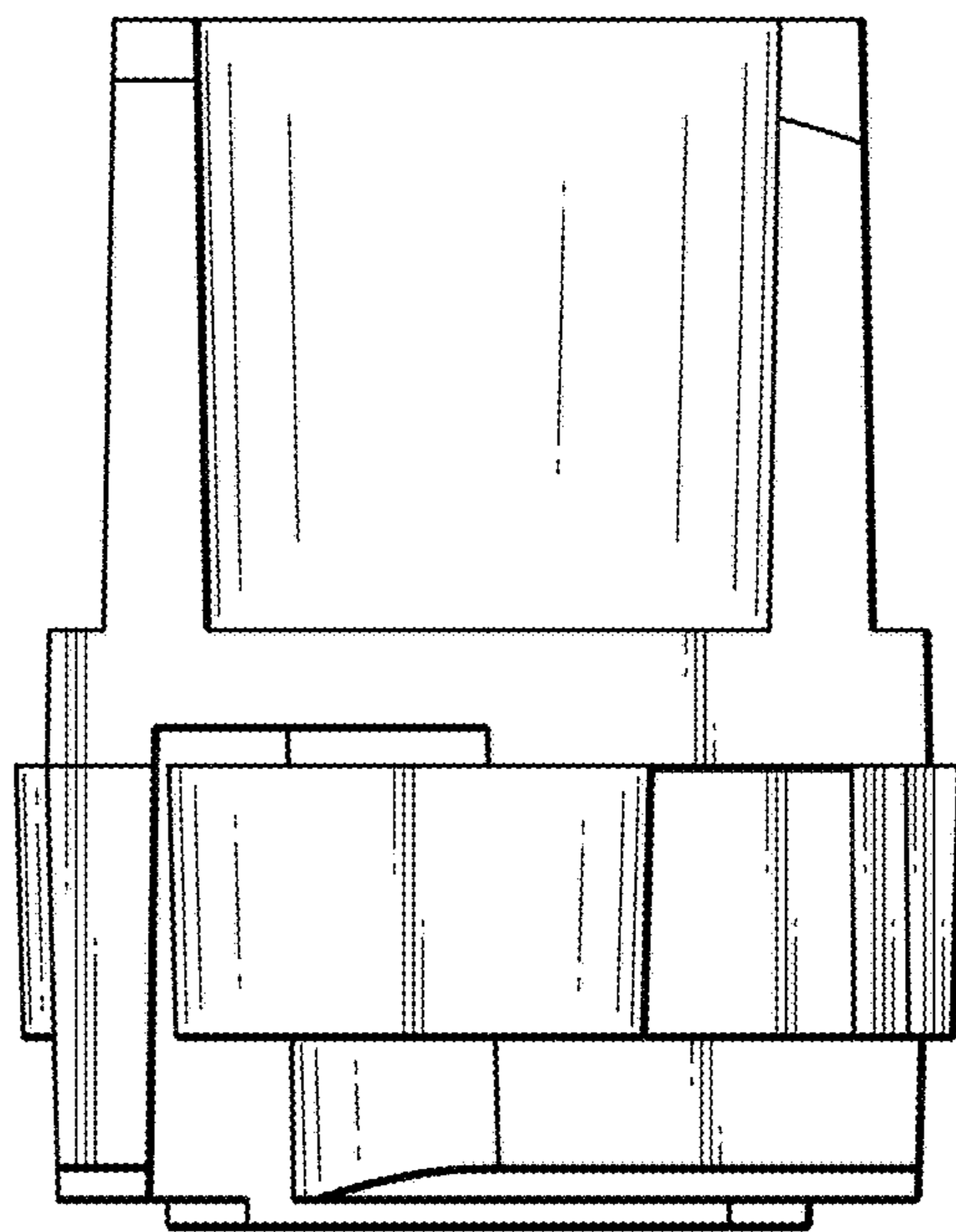


FIG. 4

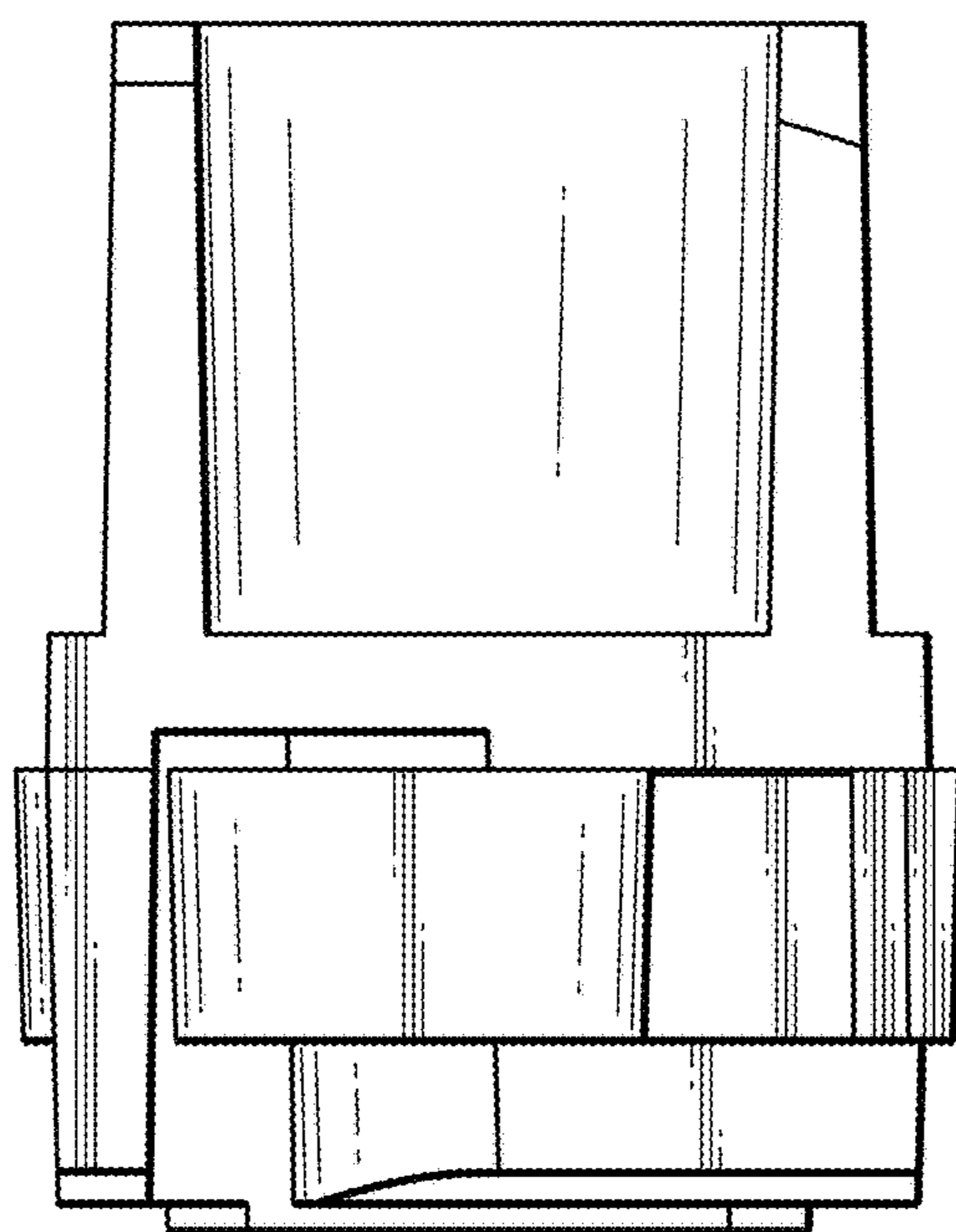


FIG. 5

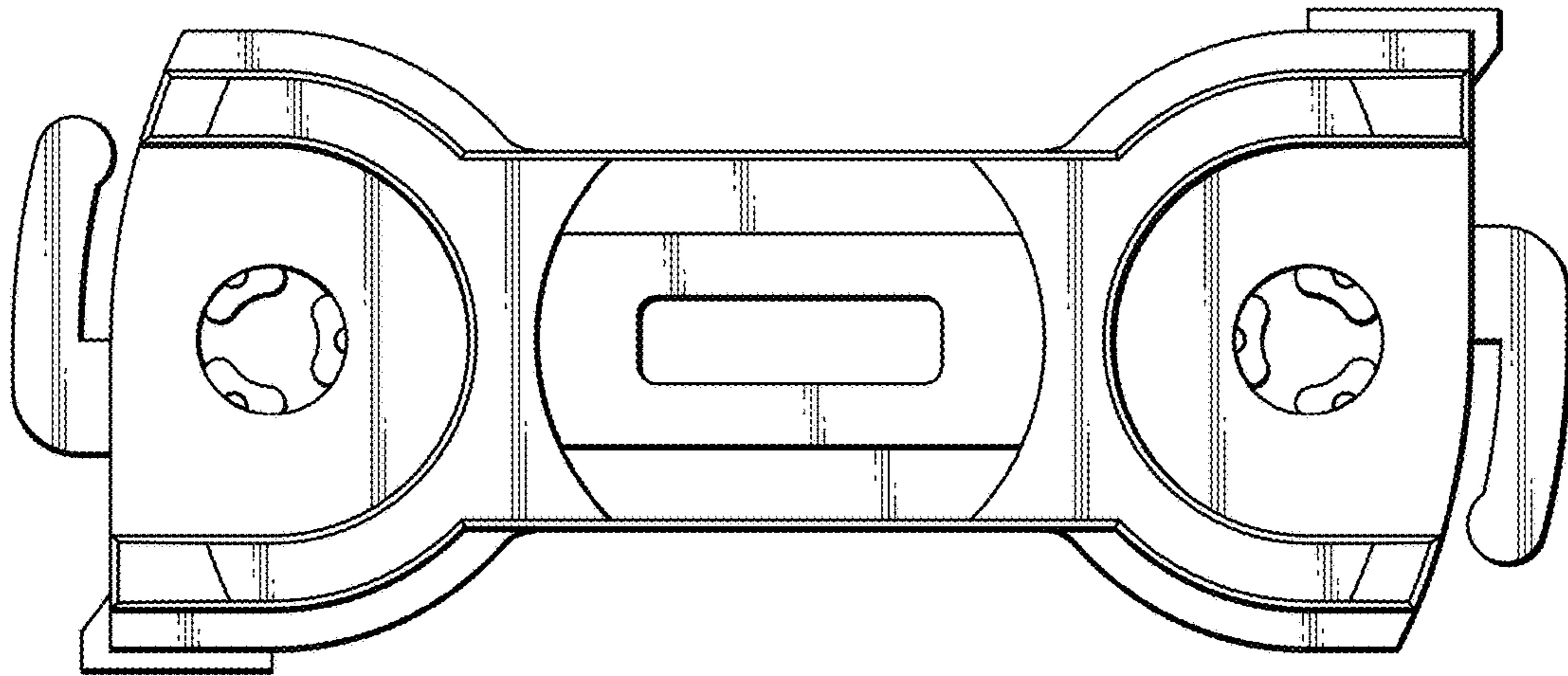


FIG. 6

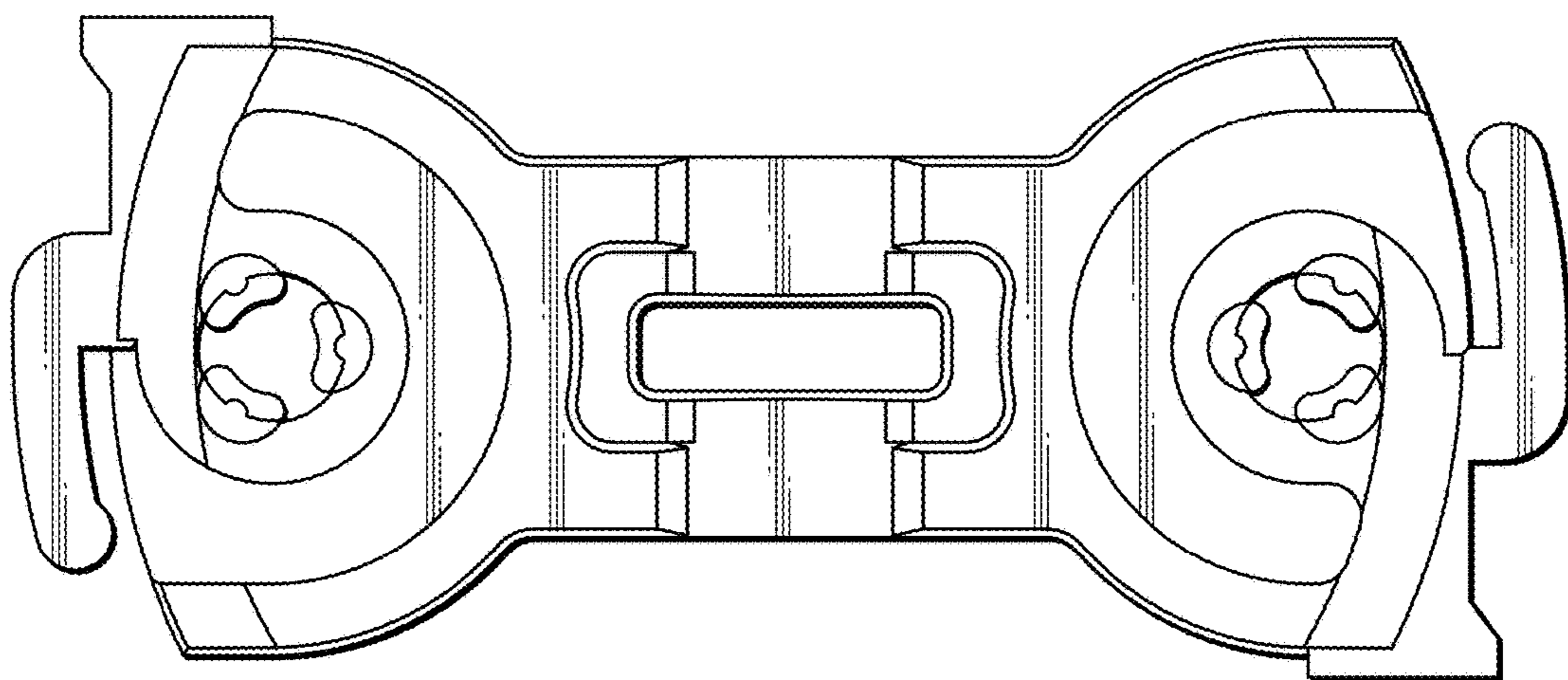


FIG. 7