



US00D804280S

(12) **United States Design Patent** (10) **Patent No.:** **US D804,280 S**
Atkinson, Jr. (45) **Date of Patent:** **** Dec. 5, 2017**

(54) **SECURITY LATCH FOR A DOOR HINGED TO OPEN OUTWARDLY**

(71) Applicant: **Joseph A Atkinson, Jr.**, Jefferson Hills, PA (US)

(72) Inventor: **Joseph A Atkinson, Jr.**, Jefferson Hills, PA (US)

(**) Term: **15 Years**

(21) Appl. No.: **29/581,300**

(22) Filed: **Oct. 18, 2016**

Related U.S. Application Data

(63) Continuation-in-part of application No. 14/167,963, filed on Jan. 29, 2014, now Pat. No. 9,482,034.

(51) **LOC (10) Cl.** **08-07**

(52) **U.S. Cl.**
 USPC **D8/331; D8/339; D8/343**

(58) **Field of Classification Search**
 USPC D8/330, 331, 333, 339, 343, 344, 345, D8/349, 354, 355, 356, 367, 382; 70/14, 70/49, 58, DIG. 63, DIG. 35, 30, 51, 52, 70/57, 57.1, 141, 431, 465, 466, 29; 292/256, 262, 281, 285, 288, DIG. 30, 292/289, 297, DIG. 15, 259 R
 CPC E05C 19/10; E05C 19/18; E05C 3/044; E05C 17/44; E05C 19/005; E05B 73/00; B25G 3/00; B25G 3/12

See application file for complete search history.

(56) **References Cited**

U.S. PATENT DOCUMENTS

2,528,954	A *	11/1950	Harbert	E05C 3/044 292/136
5,964,487	A *	10/1999	Shamblin	E05B 47/026 292/144
D439,822	S *	4/2001	Webber	D8/331
6,866,309	B1 *	3/2005	Marks	E05C 17/24 292/262
7,452,011	B1 *	11/2008	Lind	E05C 17/36 292/298
7,905,525	B2 *	3/2011	Badia	E05B 17/007 16/82
D663,605	S *	7/2012	Rohde	D8/331
D696,095	S *	12/2013	Kim	D8/331
D700,039	S *	2/2014	Kim	D8/331
D700,499	S *	3/2014	Tung	D8/331
D779,306	S *	2/2017	Finkelstein	D8/331

* cited by examiner

Primary Examiner — Prabhakar Deshmukh

(74) *Attorney, Agent, or Firm* — Gary P. Topolosky

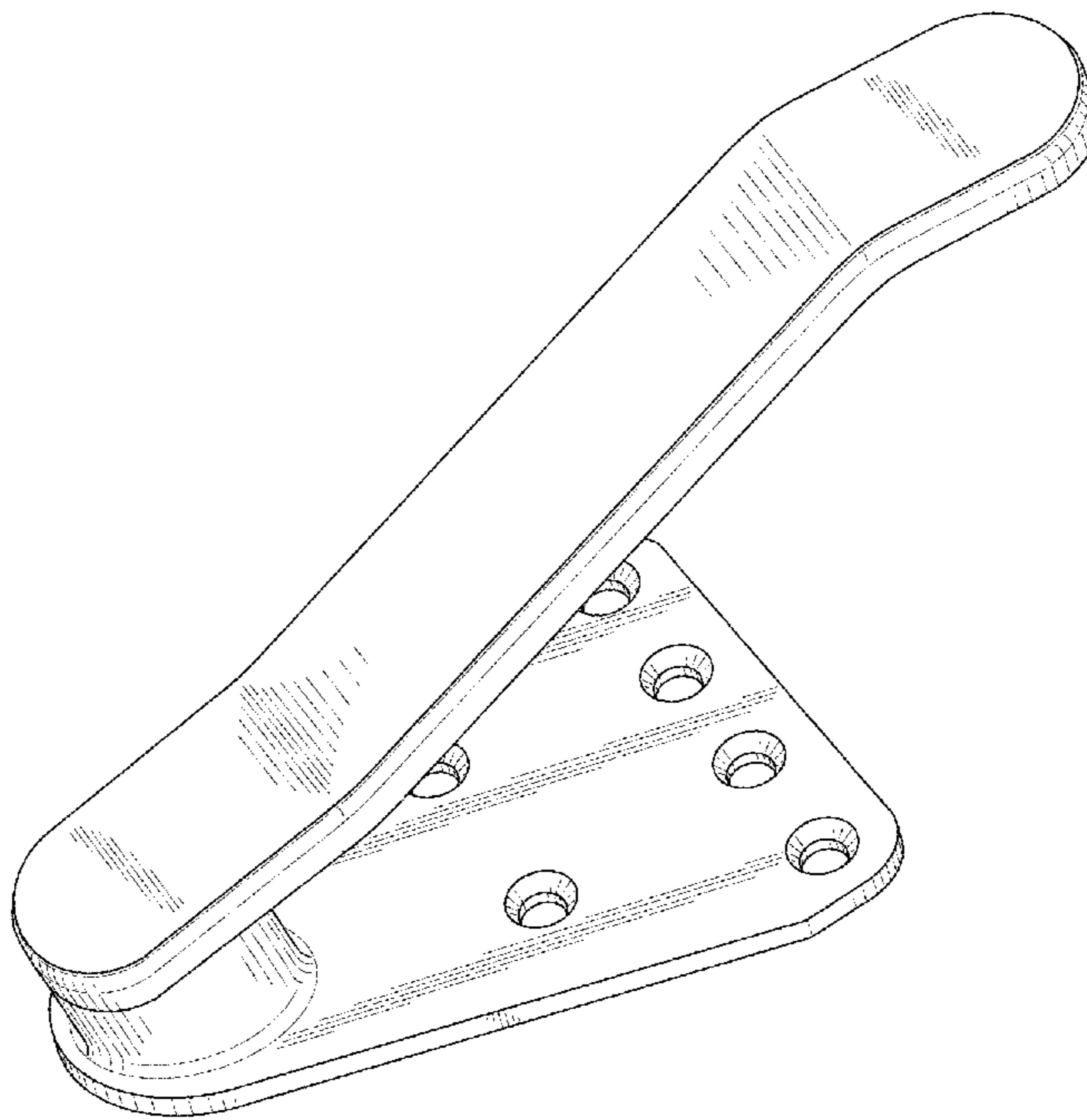
(57) **CLAIM**

The ornamental design for a security latch for a door hinged to open outwardly, as shown and described.

DESCRIPTION

FIG. 1 is a top left perspective view of a security latch for a door hinged to open outwardly showing my new design; FIG. 2 is a top plan view thereof; FIG. 3 is a bottom plan view thereof; FIG. 4 is a front elevational view thereof; FIG. 5 is a rear elevational view thereof; and, FIG. 6 is a left side elevational view thereof, the right side elevational being a mirror image thereof.

1 Claim, 4 Drawing Sheets



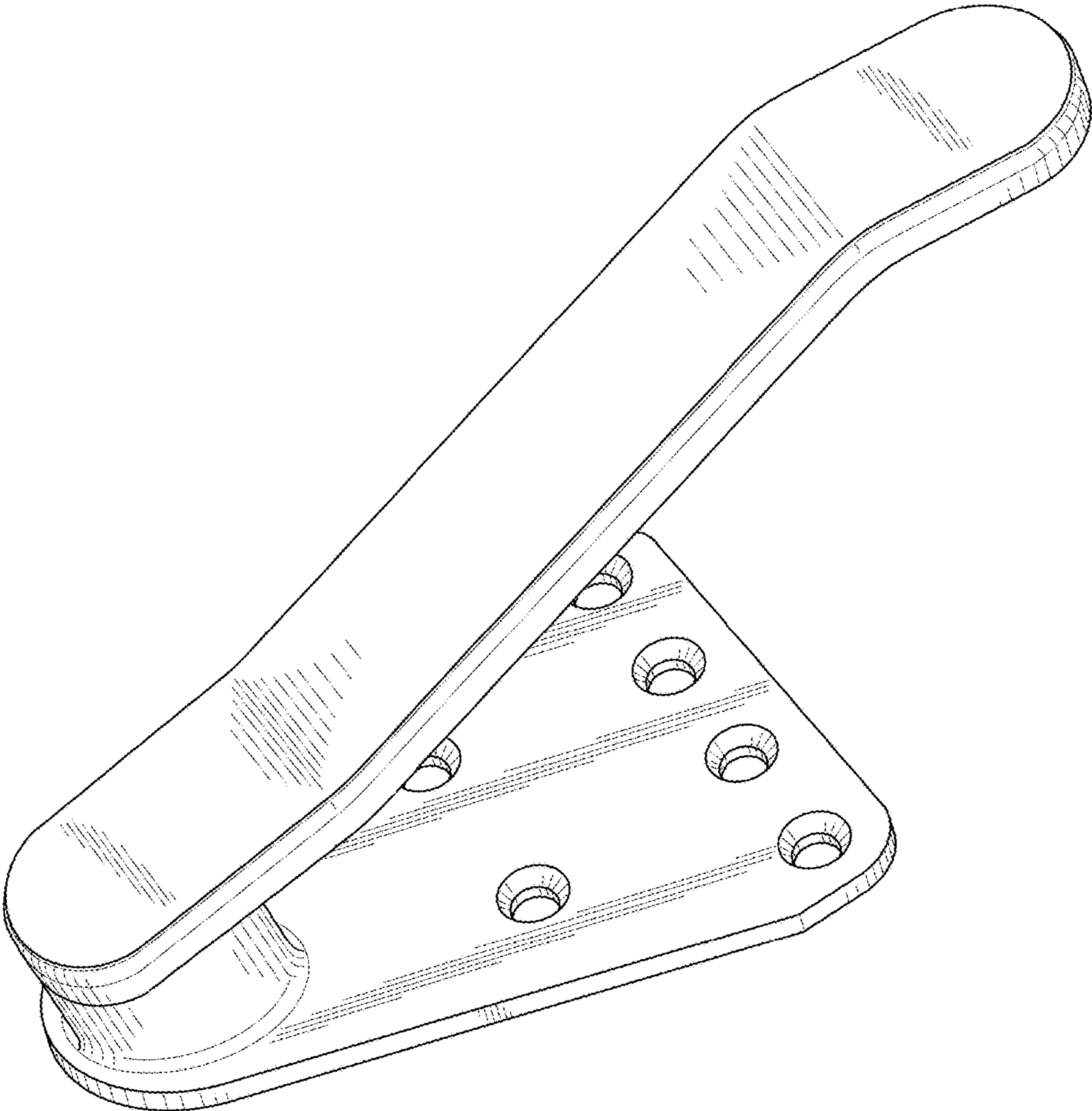


FIG. 1

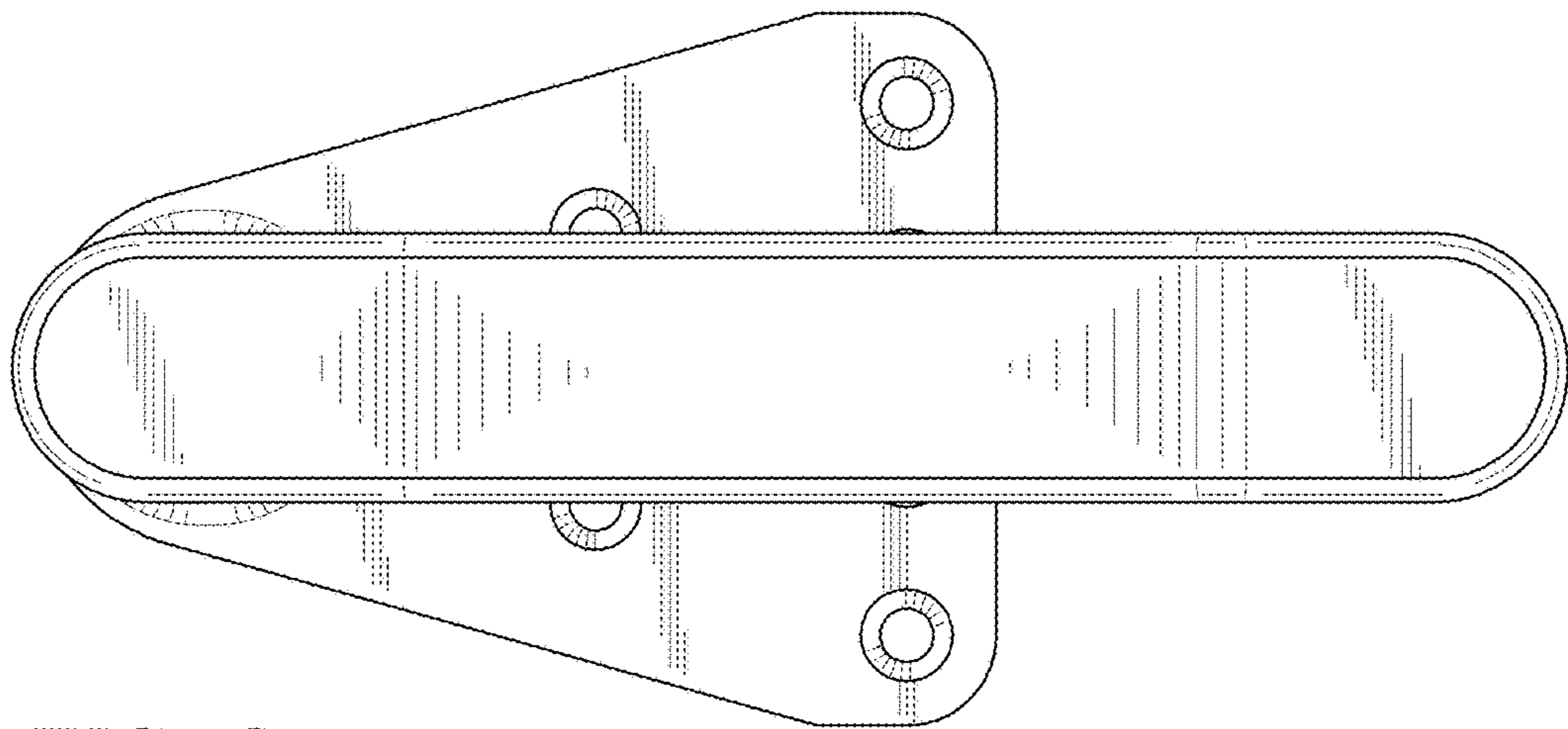


FIG. 2

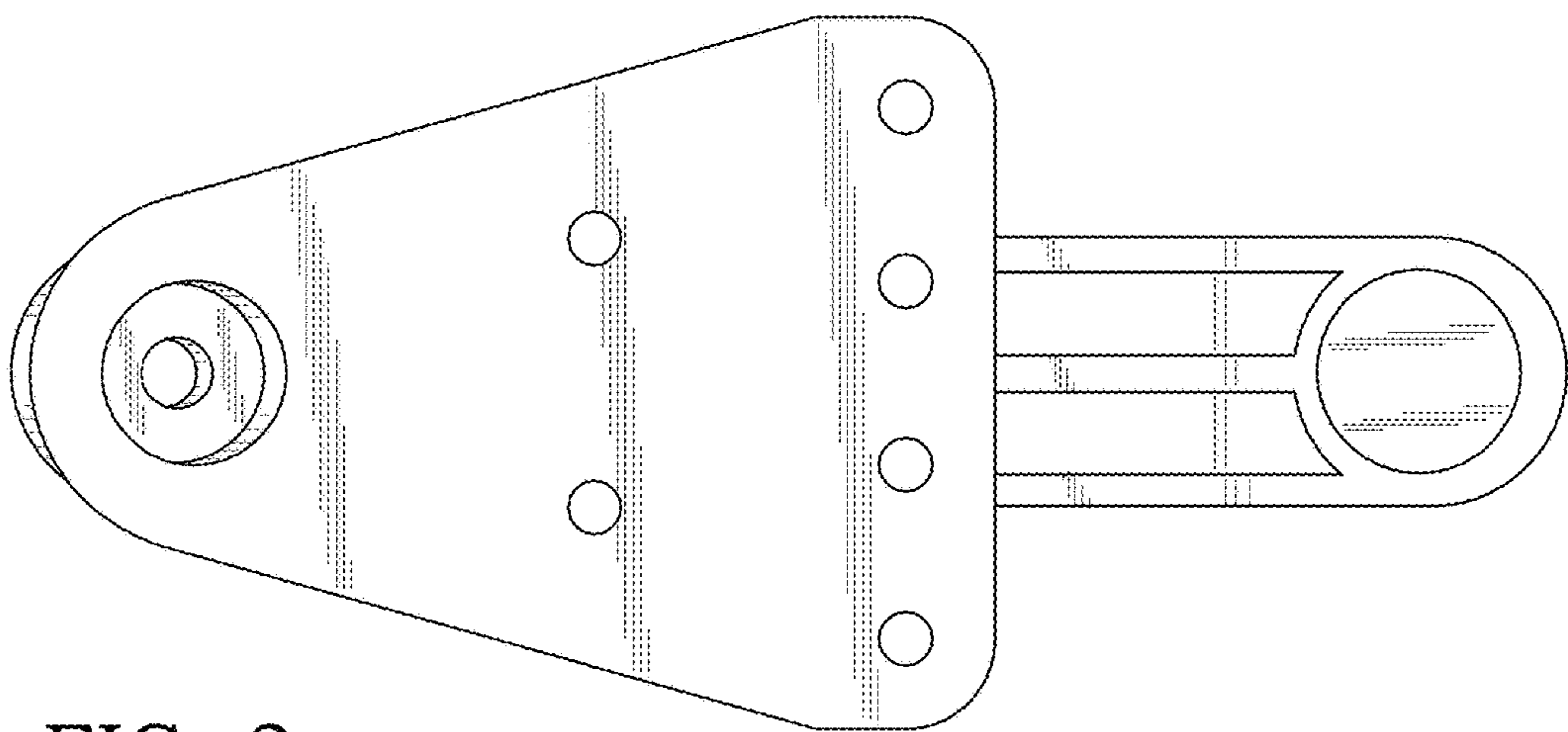


FIG. 3

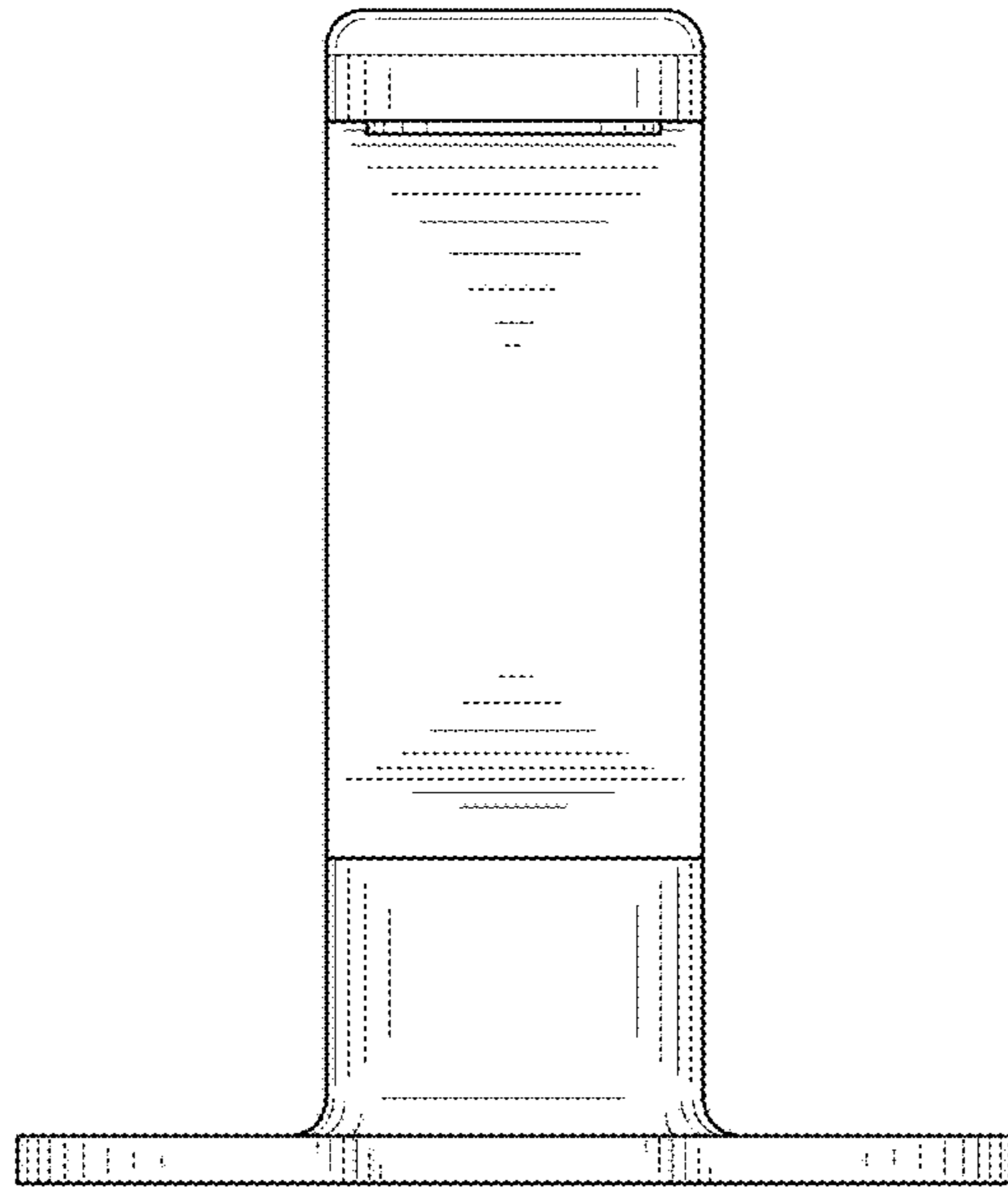


FIG. 4

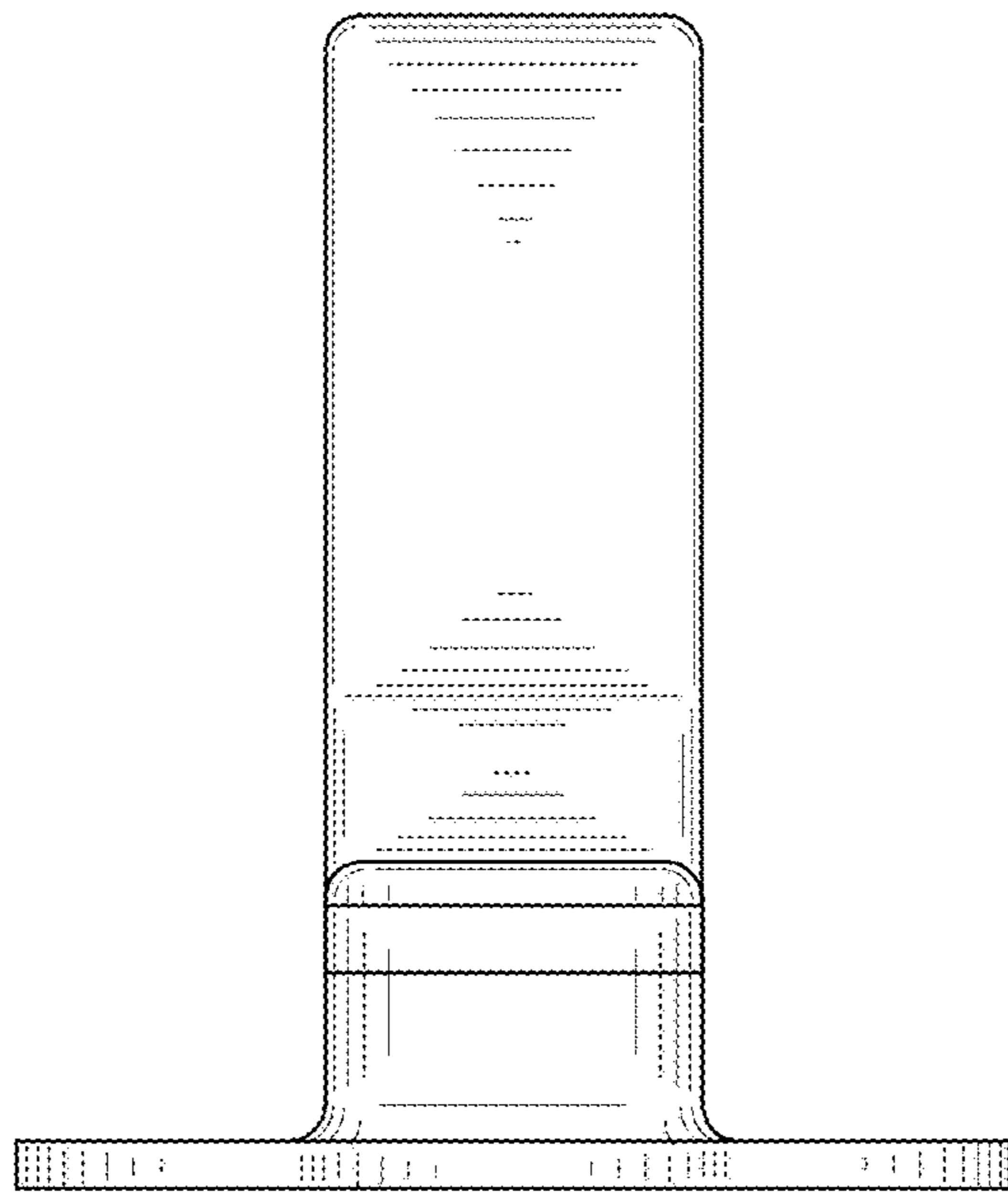


FIG. 5

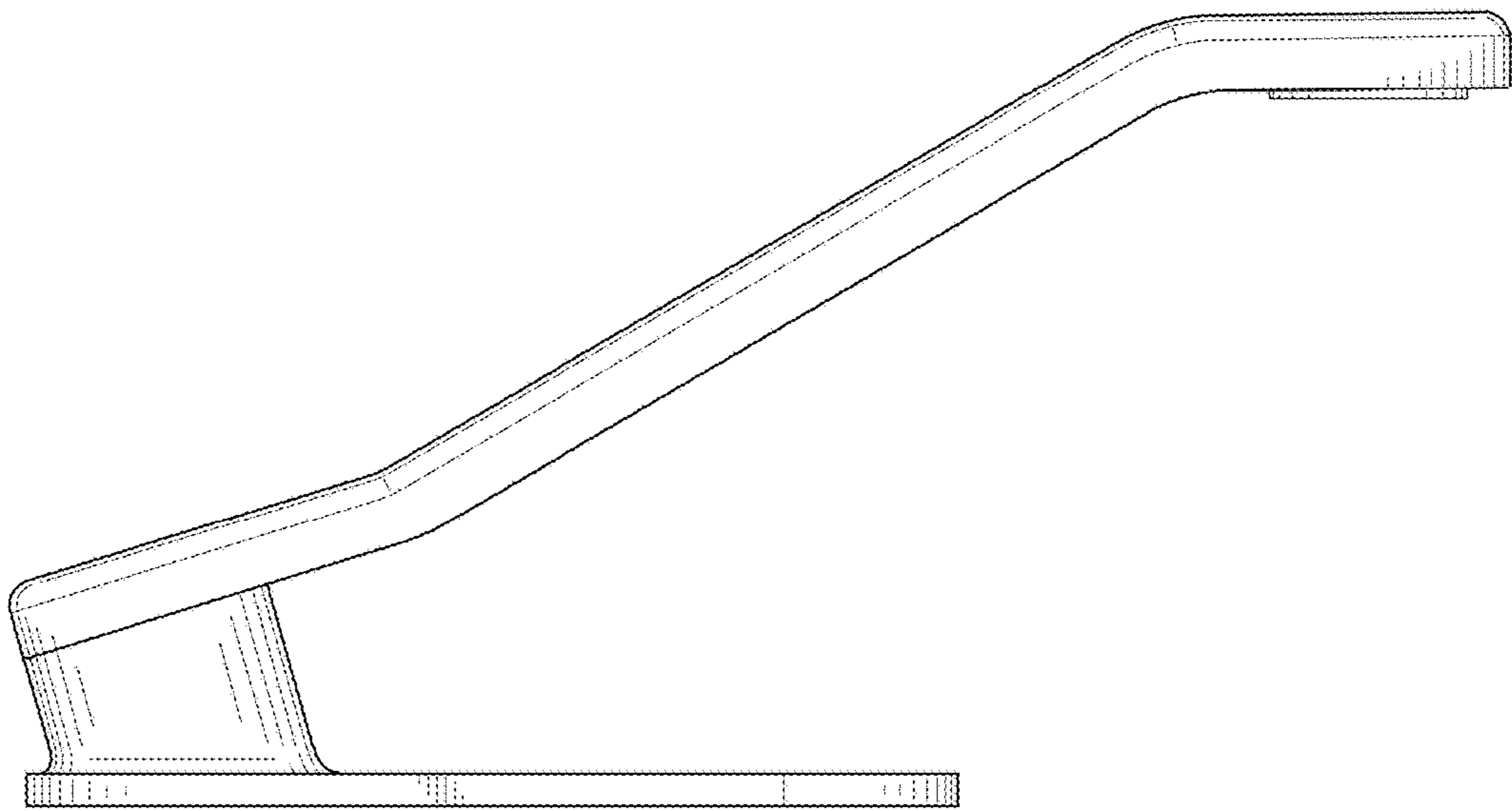


FIG. 6