



US00D804276S

(12) **United States Design Patent**
Lu

(10) **Patent No.:** **US D804,276 S**
(45) **Date of Patent:** **** Dec. 5, 2017**

- (54) **HINGE**
- (71) Applicant: **Dongguan Weihong Hardware and Plastic Products Co., Ltd., Dongguan (CN)**
- (72) Inventor: **Wei Lu, Dongguan (CN)**
- (73) Assignee: **DONGGUAN WEIHONG HARDWARE AND PLASTIC PRODUCTS CO., LTD., Dongguan (CN)**
- (**) Term: **15 Years**
- (21) Appl. No.: **29/588,666**
- (22) Filed: **Dec. 22, 2016**
- (51) **LOC (10) Cl.** **08-06**
- (52) **U.S. Cl.**
USPC **D8/323**
- (58) **Field of Classification Search**
USPC D8/323, 340, 343, 333, 325, 329, 336;
292/264; 16/387, 382, 281, 386, 211;
248/213
CPC E05D 1/04; E05D 11/1014; E05D 11/00;
E05B 73/007; E05B 65/50; E05C 17/365;
E05C 17/36; E05C 17/025; B21D 53/40;
F16M 13/02
See application file for complete search history.

(56) **References Cited**

U.S. PATENT DOCUMENTS

D140,298 S *	2/1945	Wilson	D8/323
D222,234 S *	10/1971	Imber	D8/323
4,382,312 A *	5/1983	Liggett	E05D 3/06 16/288
D335,622 S *	5/1993	Millsap	D8/323
6,134,751 A *	10/2000	Carrier	E05D 15/44 16/235

D458,626 S *	6/2002	Desbierz-Piat	D16/334
D500,660 S *	1/2005	Larner	D8/323
7,100,245 B2 *	9/2006	Wohlfarth	E05D 3/10 16/367
8,225,460 B2 *	7/2012	Hooton	E05D 3/10 16/309
D683,609 S *	6/2013	Frank	D8/323
D715,620 S *	10/2014	Tung	D8/323
D717,633 S *	11/2014	Lu	D8/323
D717,634 S *	11/2014	Lu	D8/323
D719,434 S *	12/2014	Lu	D8/323
D719,810 S *	12/2014	Lu	D8/323
D744,313 S *	12/2015	Lu	D8/323
D744,808 S *	12/2015	Lu	D8/323
D744,809 S *	12/2015	Lu	D8/323
D758,164 S *	6/2016	Lu	D8/323
D784,795 S *	4/2017	Ravaioli	D8/355
2016/0040463 A1 *	2/2016	Gramstad	E05D 5/128 16/382

(Continued)

Primary Examiner — Cynthia Underwood
(74) *Attorney, Agent, or Firm* — Shimokaji IP

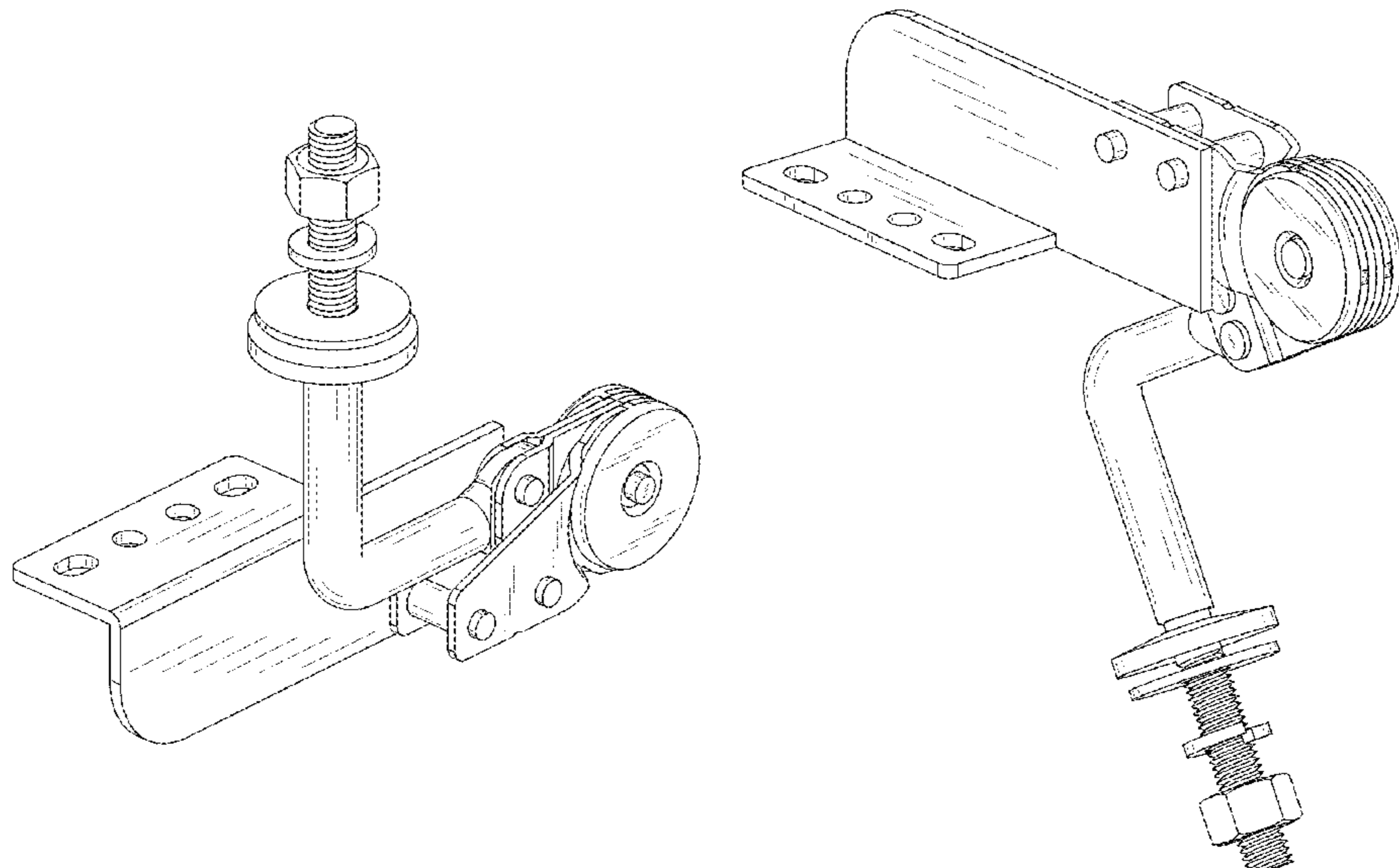
(57) **CLAIM**

The ornamental design for a hinge, as shown and described.

DESCRIPTION

FIG. 1 is a front elevational view of a hinge showing my new design;
 FIG. 2 is a rear elevational view thereof;
 FIG. 3 is a left side elevational view thereof;
 FIG. 4 is a right side elevational view thereof;
 FIG. 5 is a top plan view thereof;
 FIG. 6 is a bottom plan view thereof;
 FIG. 7 is a first perspective view thereof shown in a first position;
 FIG. 8 is a second perspective view thereof shown in the first position; and,
 FIG. 9 is a second perspective view thereof shown in a second position.

1 Claim, 7 Drawing Sheets



(56)

References Cited

U.S. PATENT DOCUMENTS

2016/0040464 A1* 2/2016 Lu B60N 2/4852
16/250

* cited by examiner

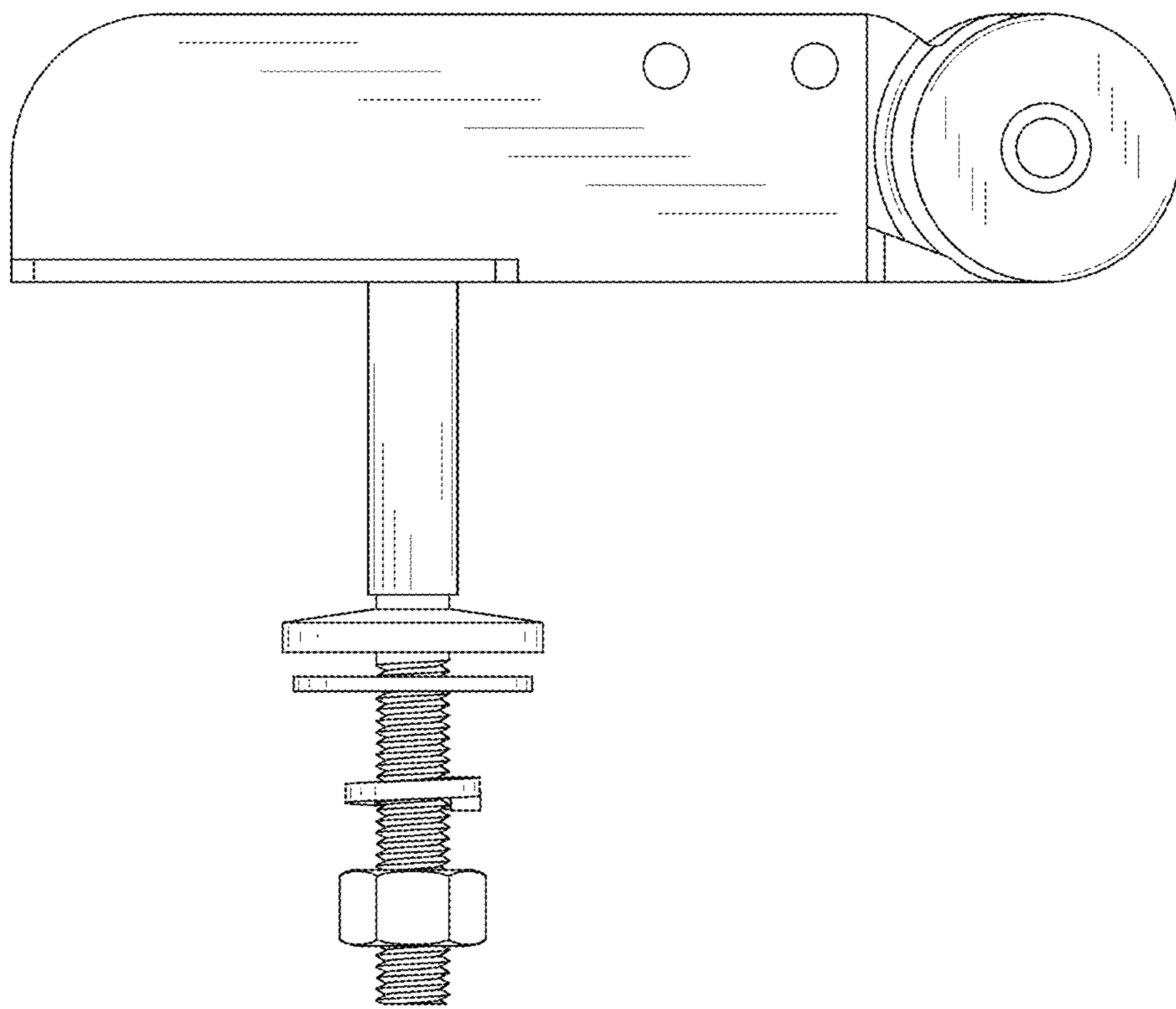


FIG.1

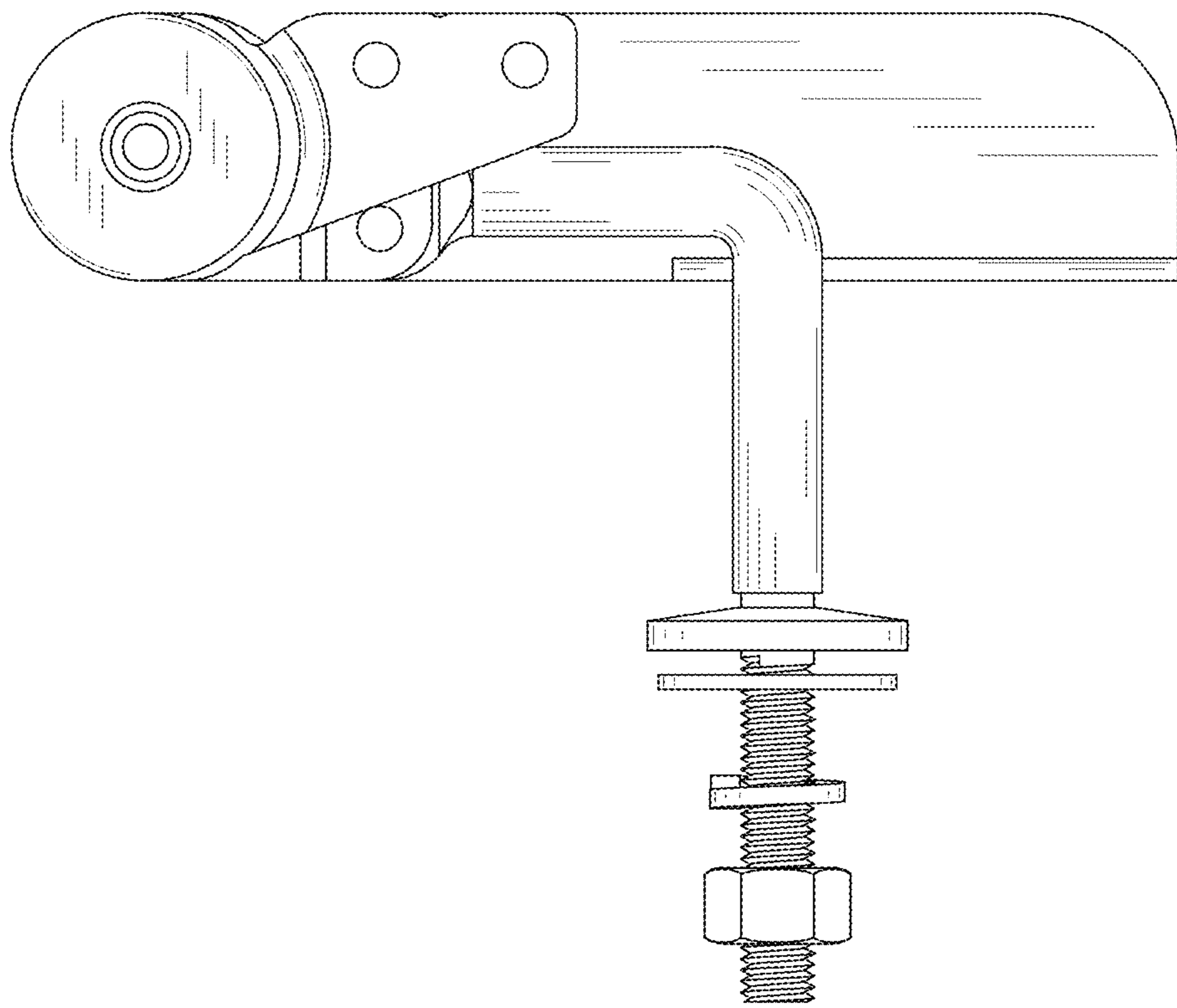


FIG.2

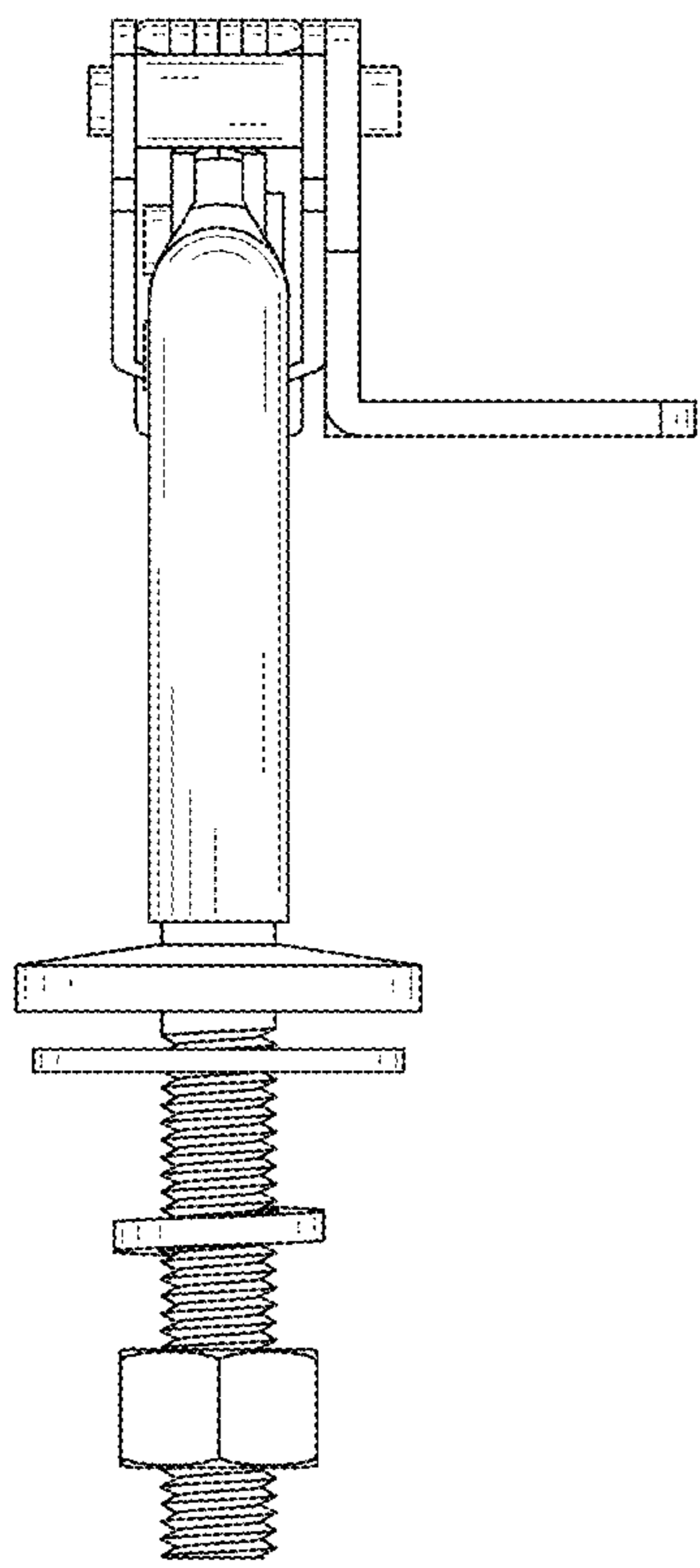


FIG.3

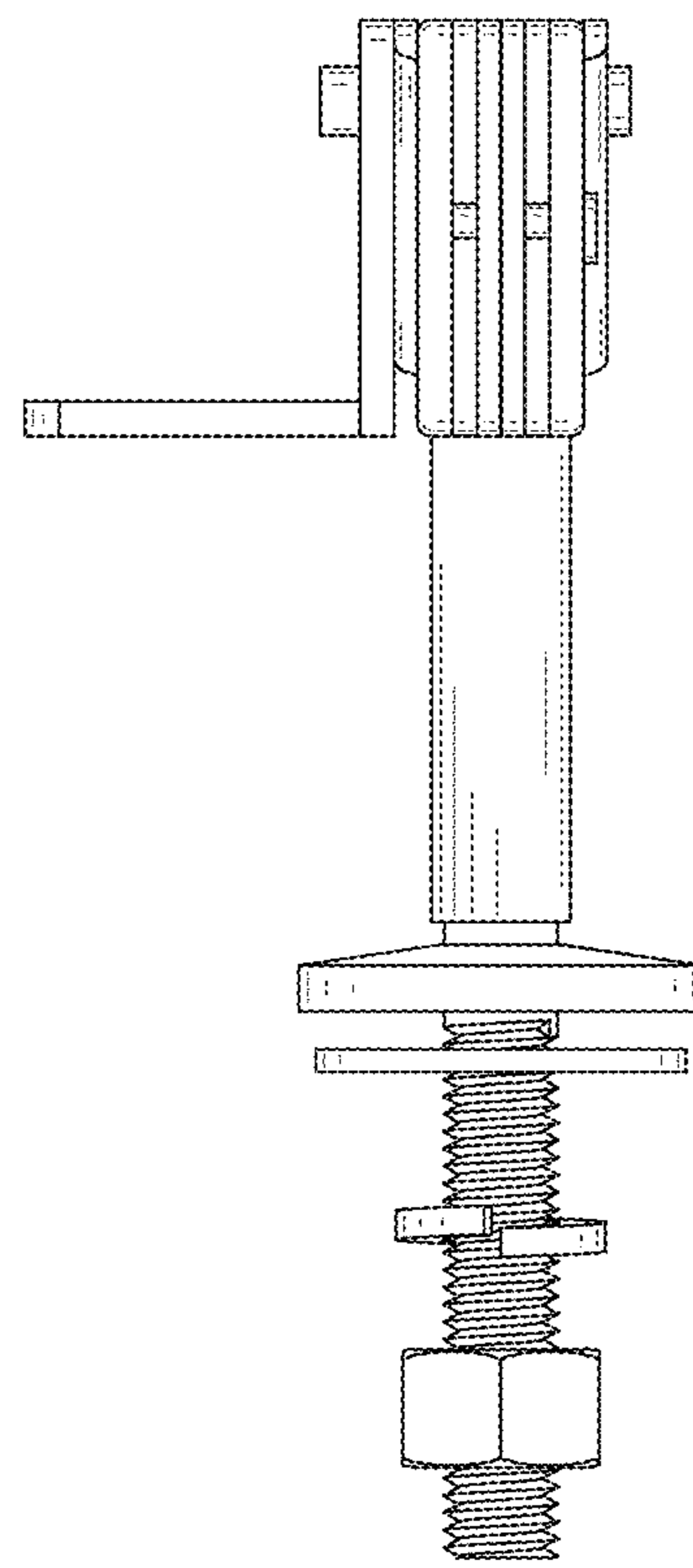


FIG.4

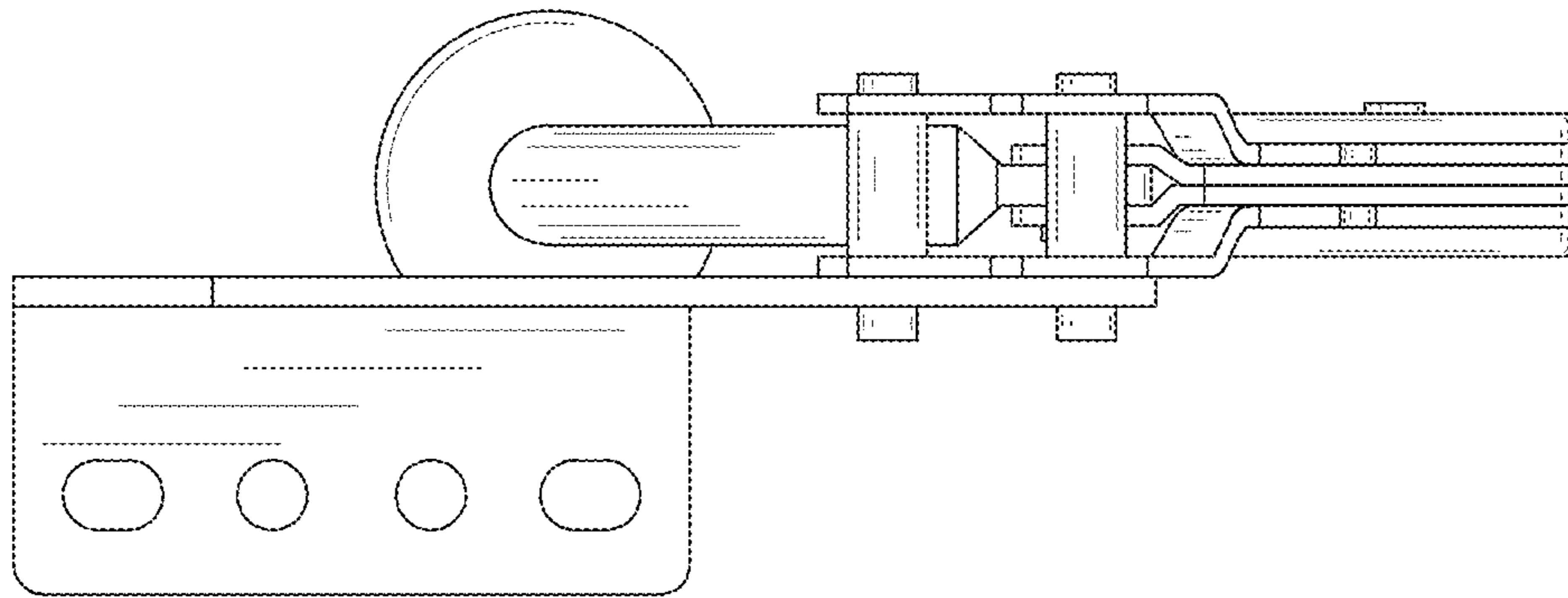


FIG. 5

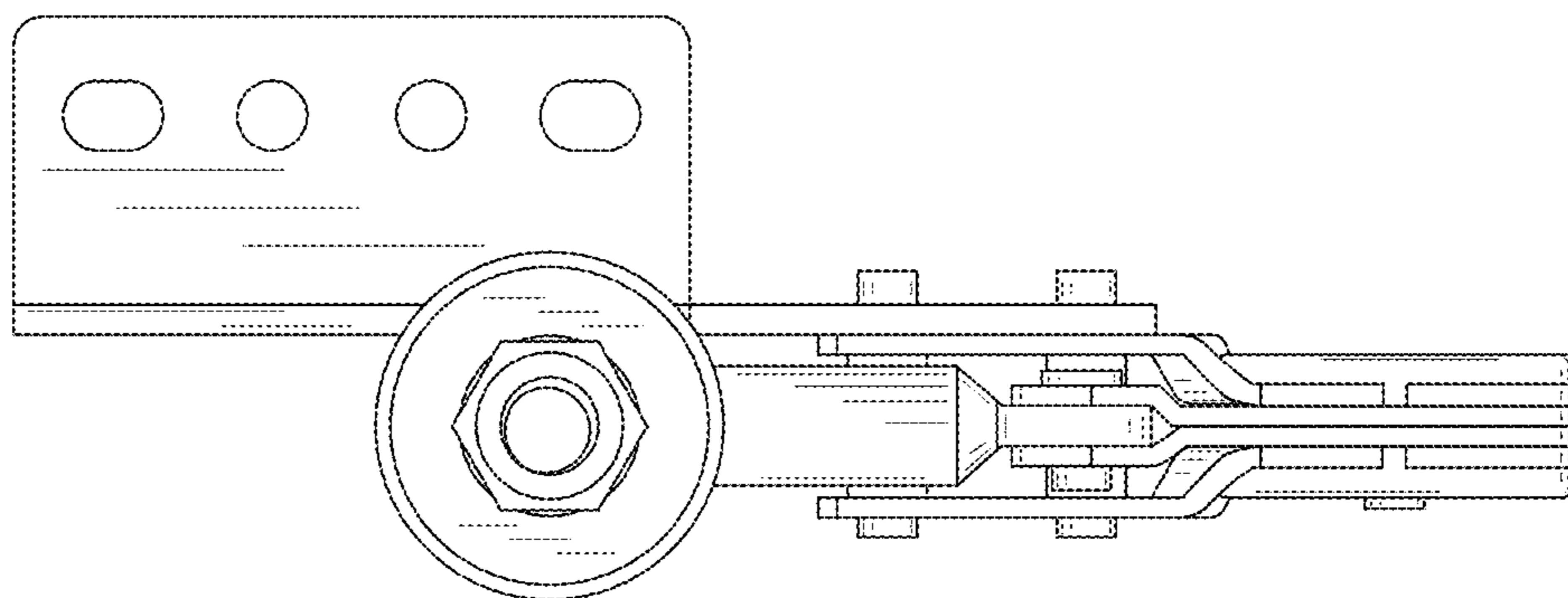


FIG. 6

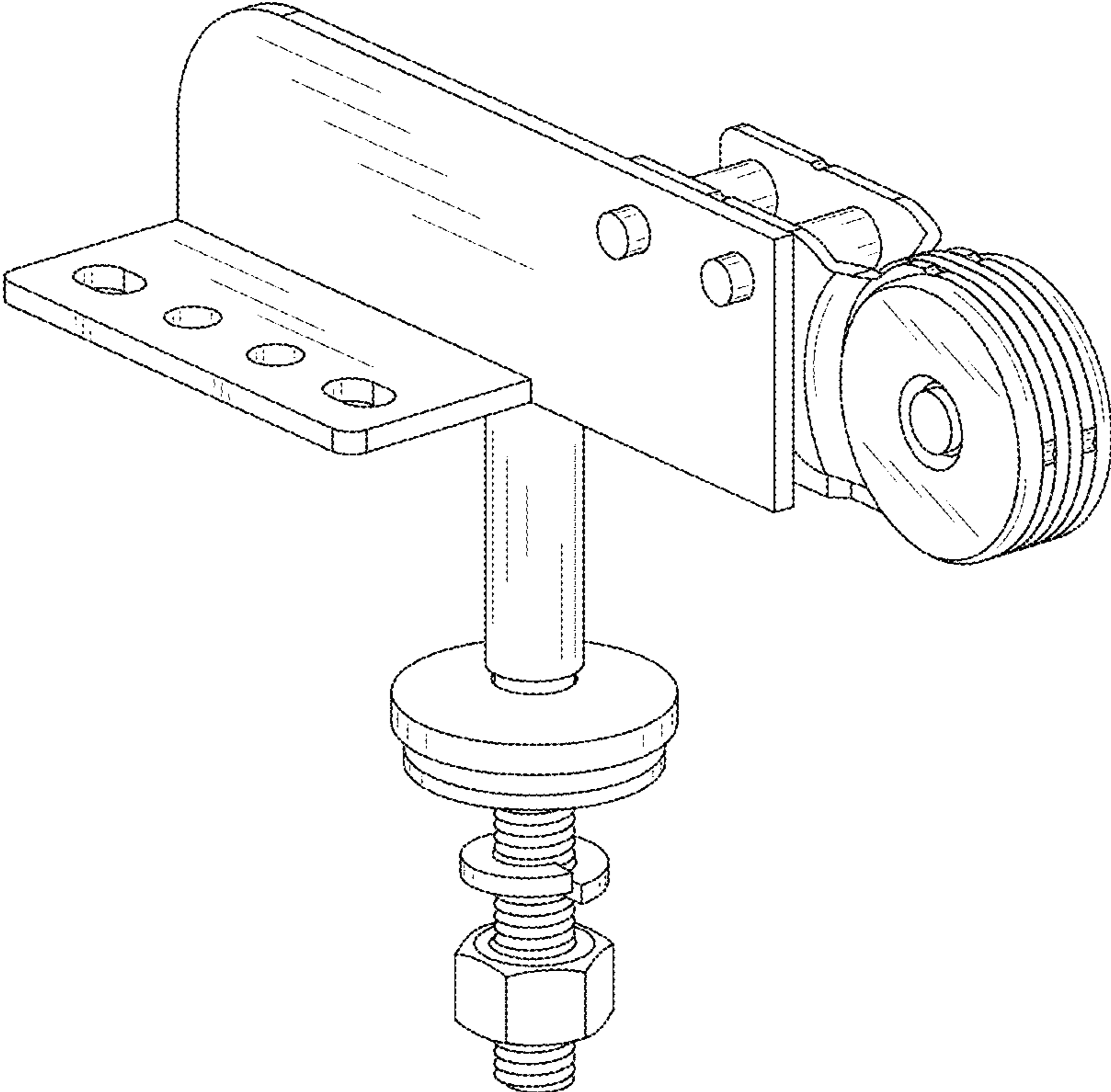


FIG.7

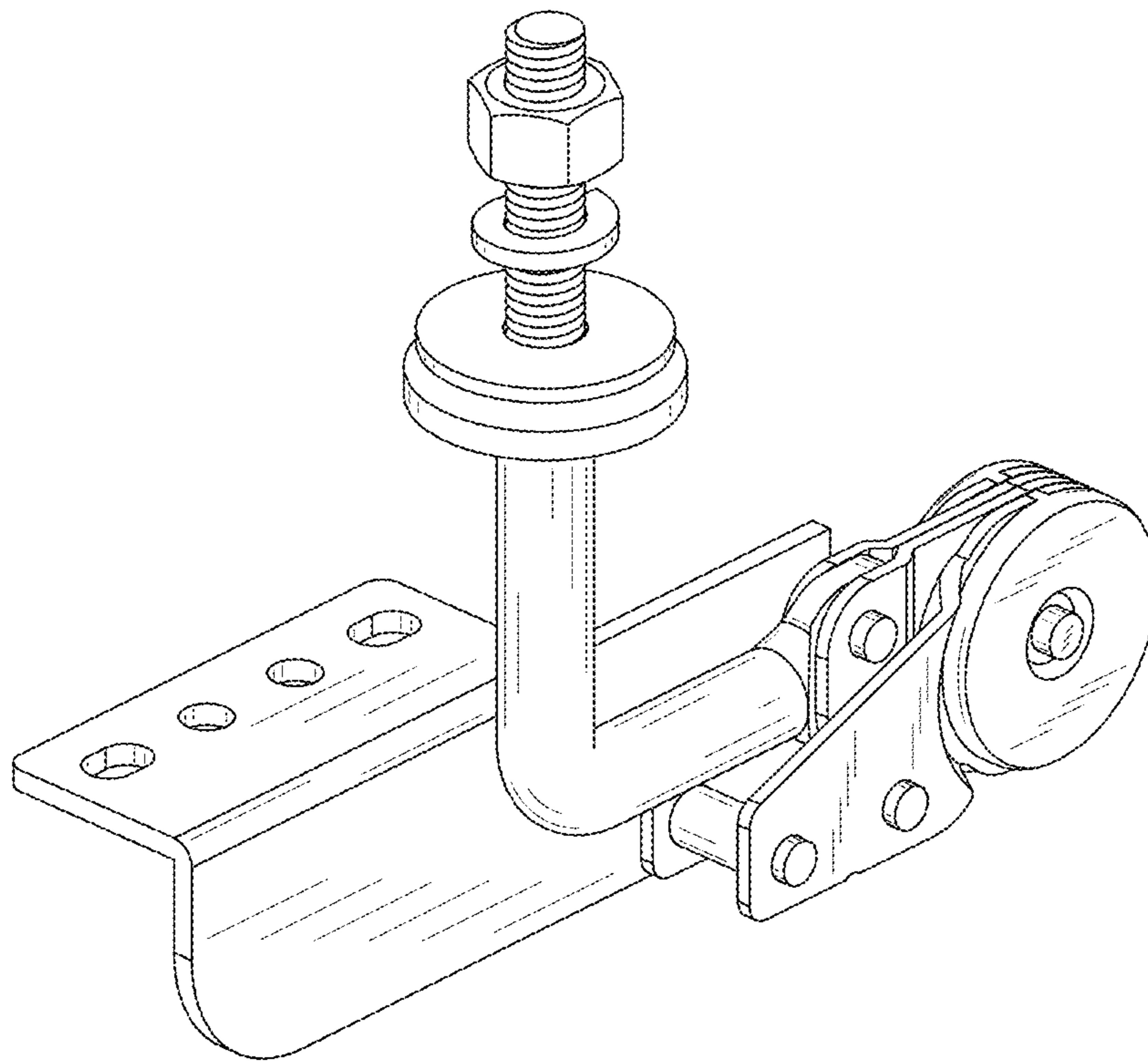


FIG. 8

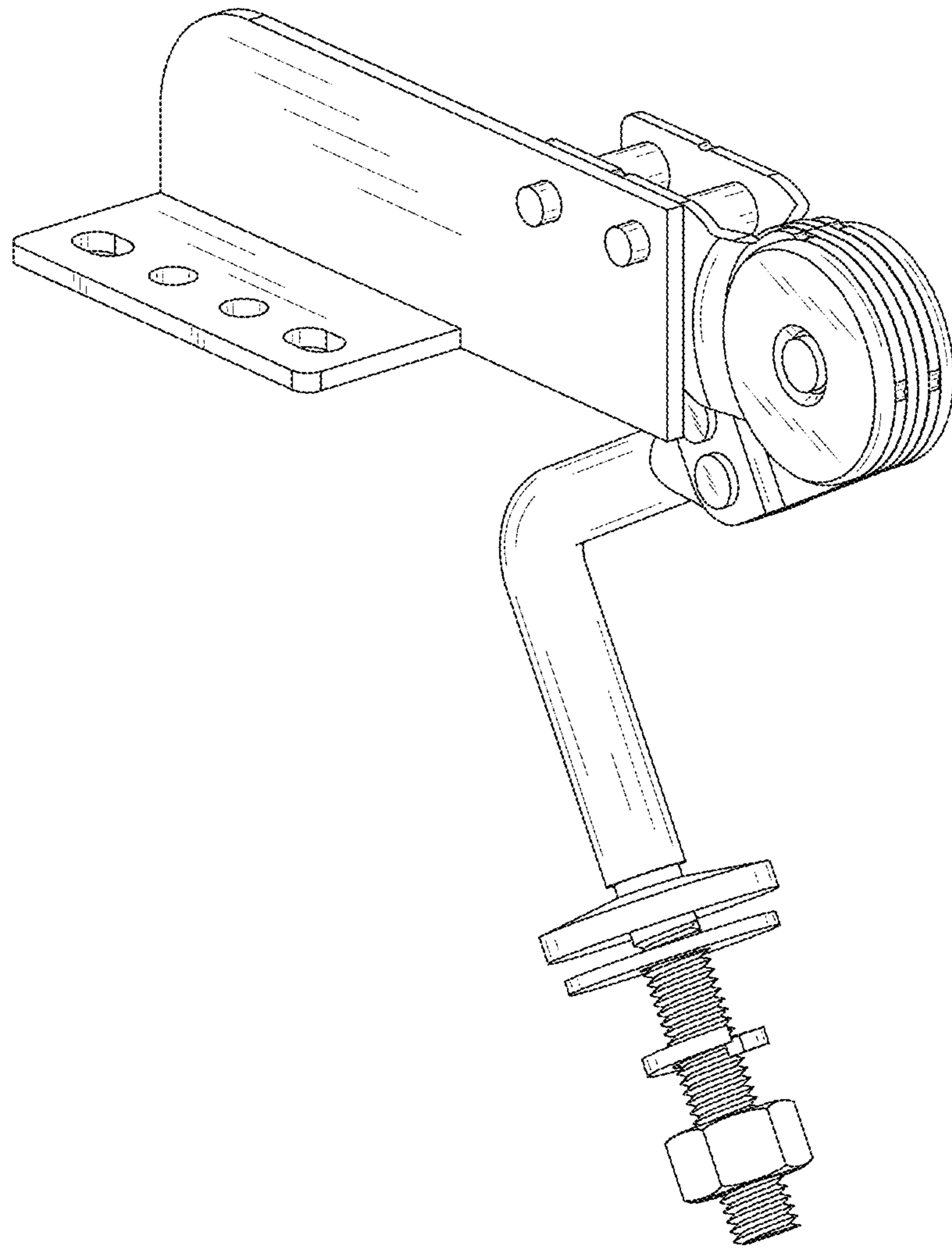


FIG.9