



US00D804274S

(12) **United States Design Patent** (10) **Patent No.:** **US D804,274 S**
Tsai (45) **Date of Patent:** **** Dec. 5, 2017**

(54) **SKATEBOARD TOOL**
(71) Applicant: **Wen Tang Tsai**, Taichung (TW)
(72) Inventor: **Wen Tang Tsai**, Taichung (TW)
(**) Term: **15 Years**
(21) Appl. No.: **29/550,620**

Primary Examiner — Phillip S Hyder
(74) *Attorney, Agent, or Firm* — Inskeep IP Group, Inc.

(22) Filed: **Jan. 5, 2016**
(51) **LOC (10) Cl.** **08-05**
(52) **U.S. Cl.**
USPC **D8/105**
(58) **Field of Classification Search**
USPC D8/14, 51, 105, 21, 29
CPC A63C 17/00; A63C 17/0006; B25B 13/56;
B25B 13/00; B25B 13/48; B25F 1/00
See application file for complete search history.

(57) **CLAIM**
The ornamental design for a skateboard tool, as shown and described.

DESCRIPTION

FIG. 1 is a front elevation view of a skateboard tool, showing my new design;
FIG. 2 is a rear elevation view thereof;
FIG. 3 is a bottom plan view thereof;
FIG. 4 is a top plan view thereof;
FIG. 5 is a right side elevation view of FIG. 1 turned ninety degrees;
FIG. 6 is a left side elevation view of FIG. 1 turned ninety degrees;
FIG. 7 is an exploded and inverted front elevation view thereof;
FIG. 8 is an exploded rear elevation view thereof;
FIG. 9 is an exploded bottom plan view of FIG. 2;
FIG. 10 is an exploded top plan view of FIG. 2;
FIG. 11 is a rear perspective view thereof;
FIG. 12 is an inverted front perspective view thereof;
FIG. 13 is an enlarged partial perspective view showing the left end from FIG. 2;
FIG. 14 is an enlarged partial perspective view showing the right end from FIG. 1; and,
FIG. 15 is an enlarged elevation view showing the left end from FIG. 2.
The broken lines depict portions of the skateboard tool in which the design is embodied that are not considered part of the claimed design.

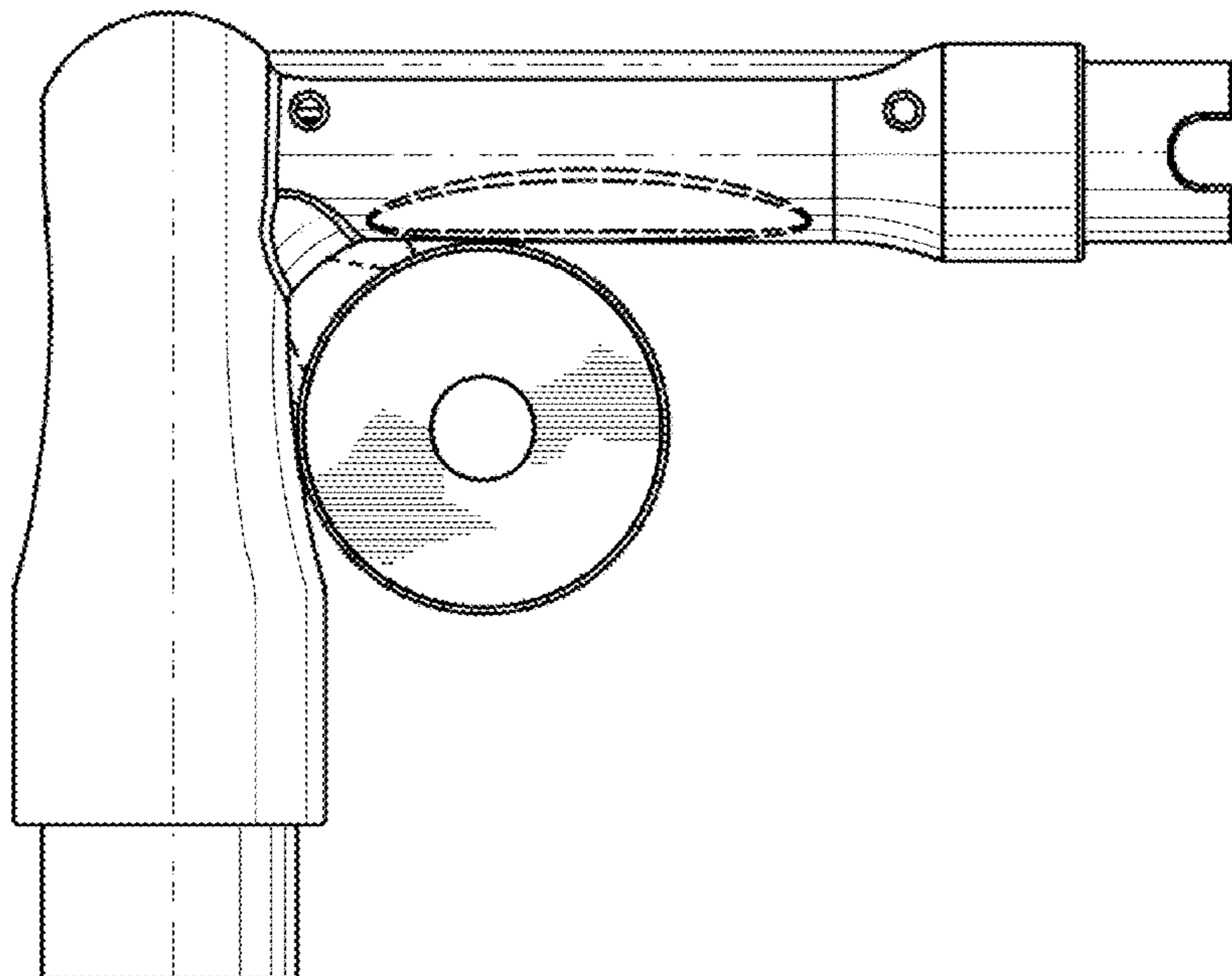
(56) **References Cited**

U.S. PATENT DOCUMENTS

6,279,434	B1 *	8/2001	Brown	A63C 17/0006	81/177.4
6,502,483	B1 *	1/2003	Swank	B25B 13/56	7/138
7,127,766	B1 *	10/2006	Carter	A63C 17/0006	7/138
7,305,907	B2 *	12/2007	Burwell	B25G 1/085	81/177.2
D622,561	S *	8/2010	Brown, III	D8/14	
D687,690	S *	8/2013	Chen	D8/105	
8,601,916	B2 *	12/2013	Chen	B25B 15/00	7/143
D725,977	S *	4/2015	Tsai	D8/14	
2007/0074351	A1 *	4/2007	Chmelar	A63C 17/0006	7/165

* cited by examiner

1 Claim, 8 Drawing Sheets



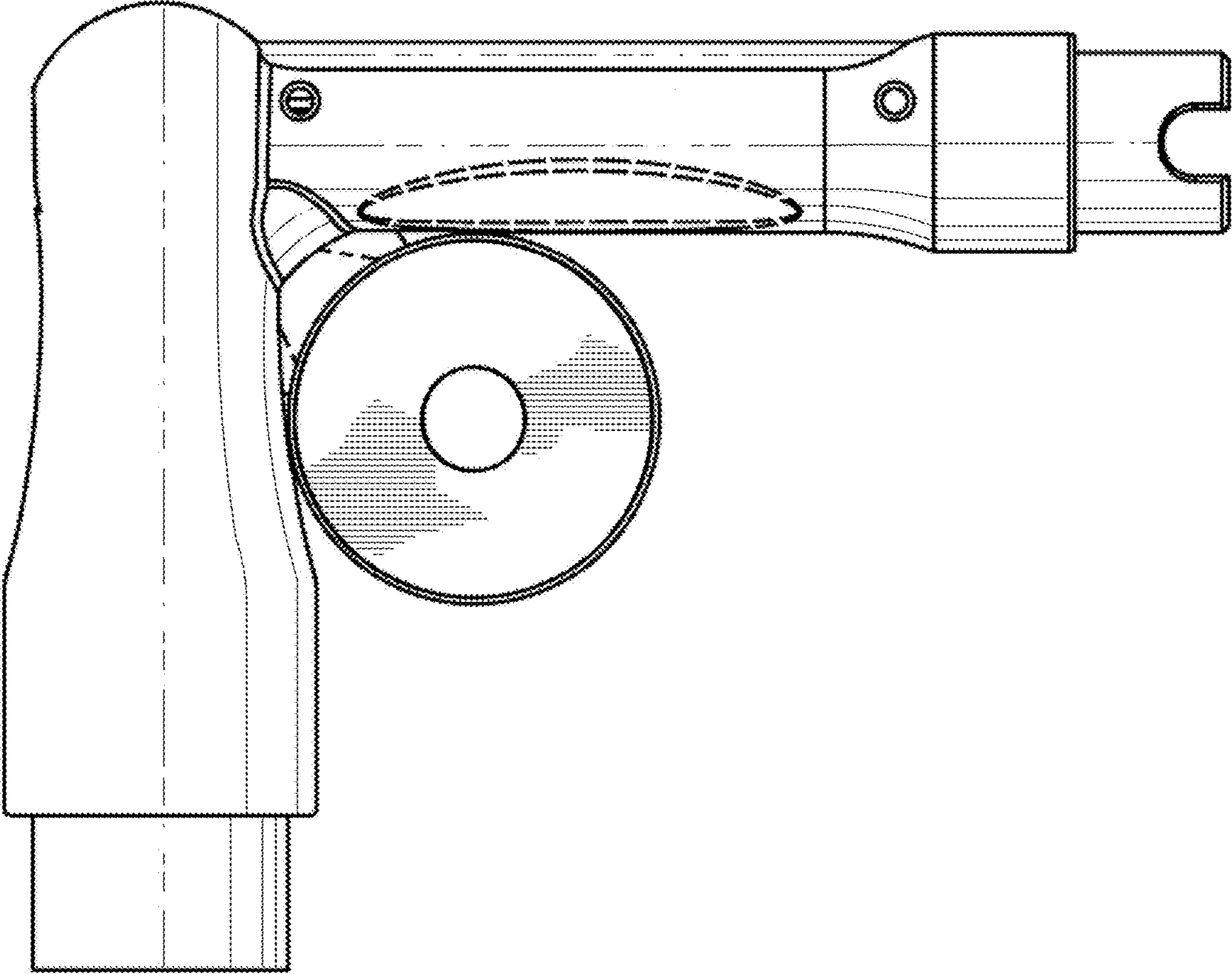


Figure 1

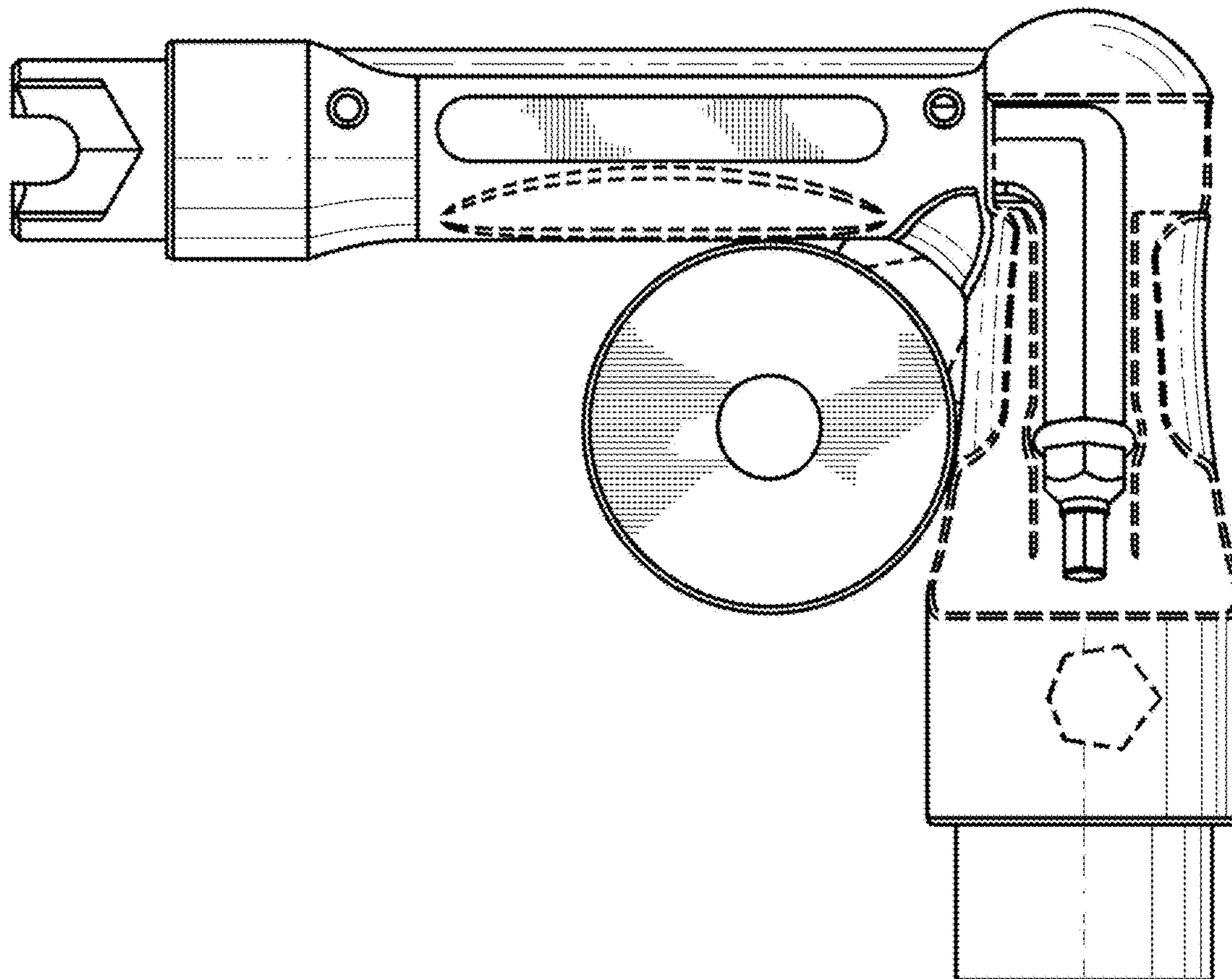


Figure 2

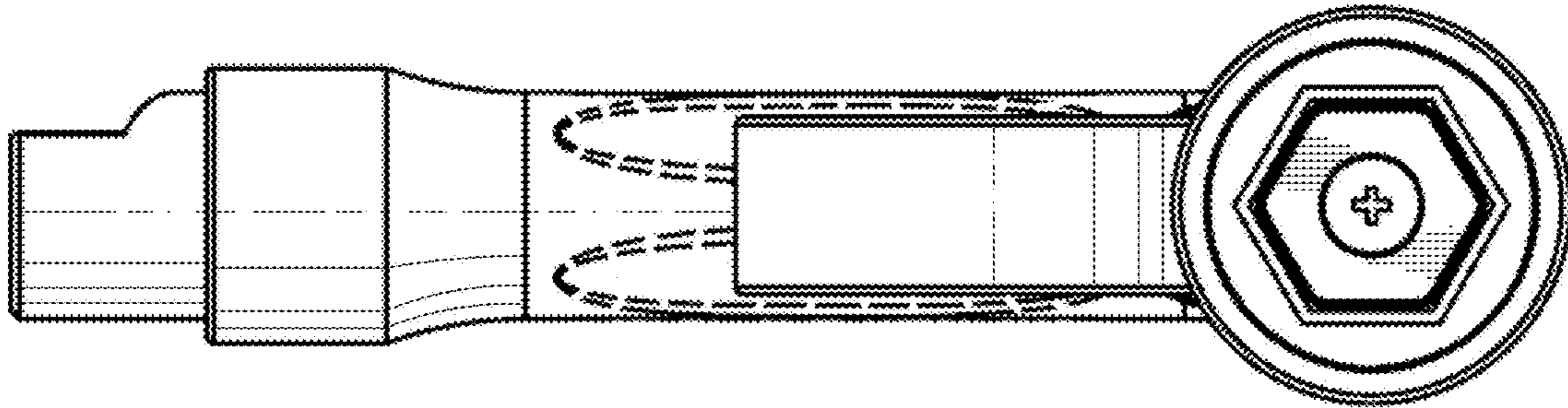


Figure 3

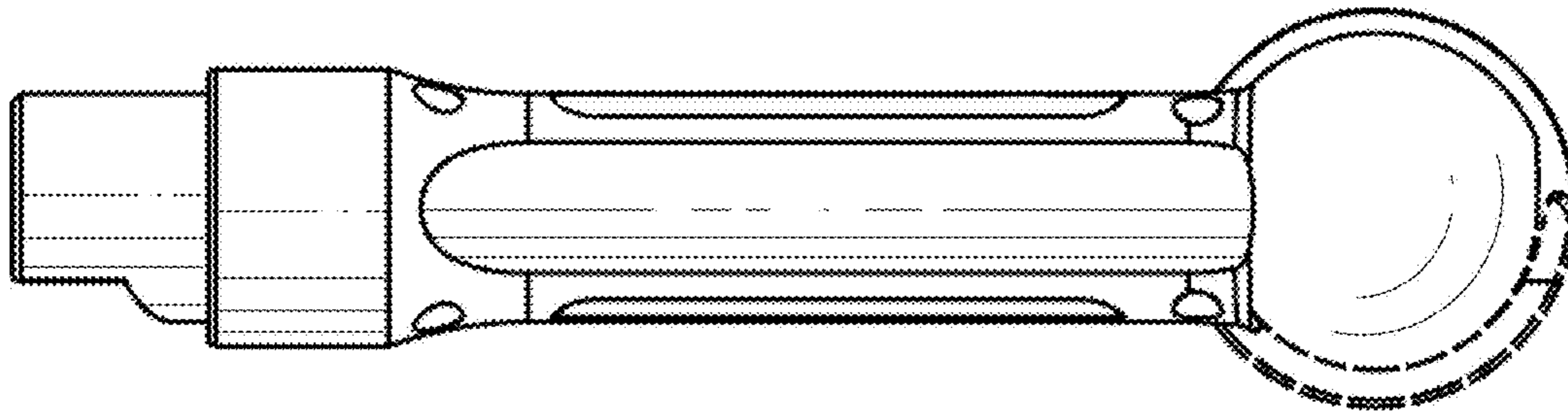


Figure 4

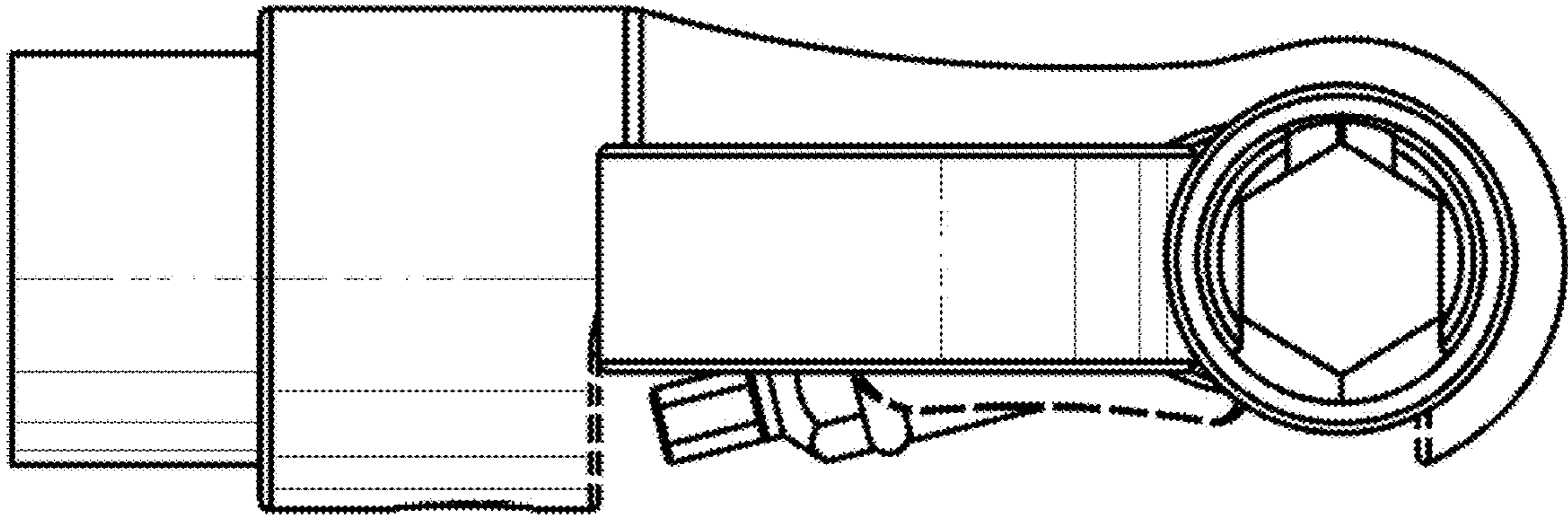


Figure 5

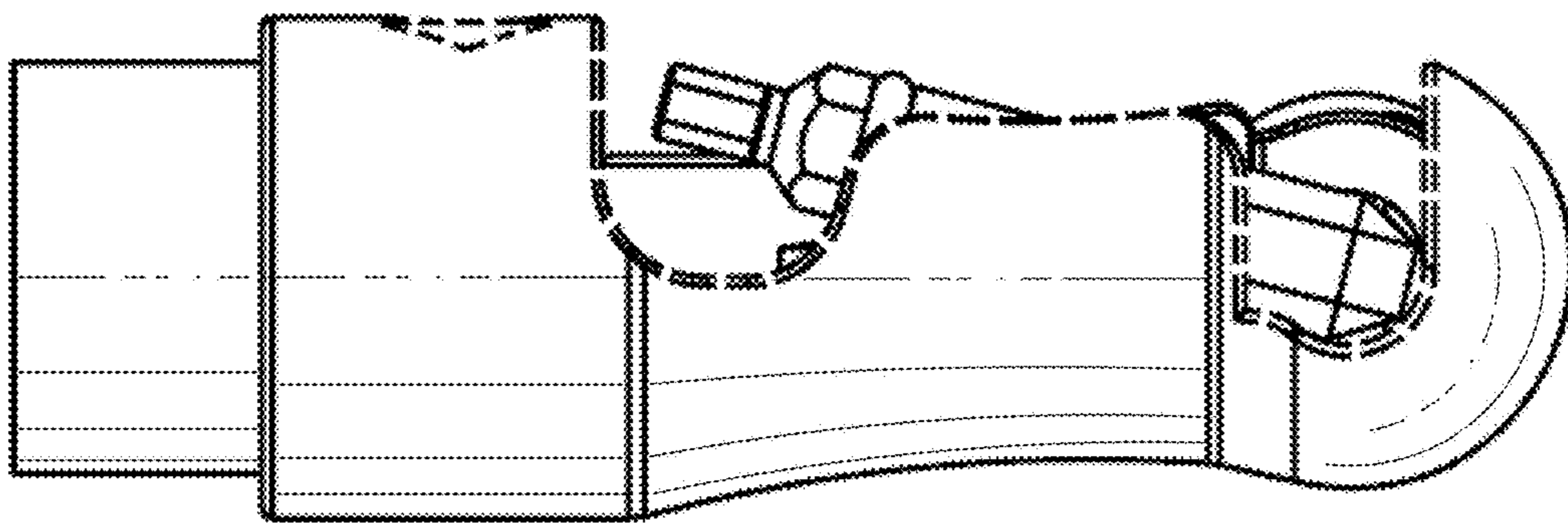


Figure 6

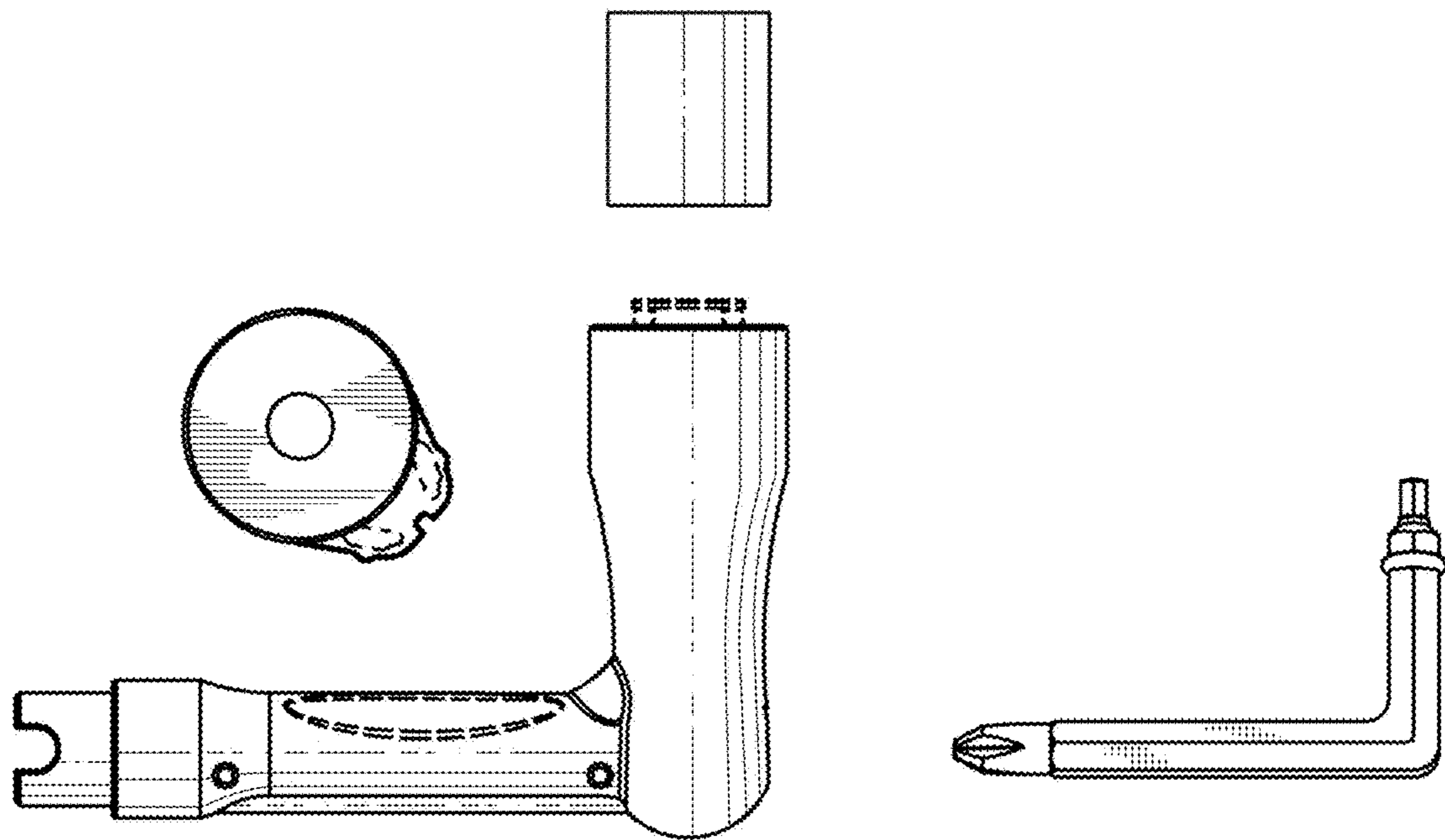


Figure 7

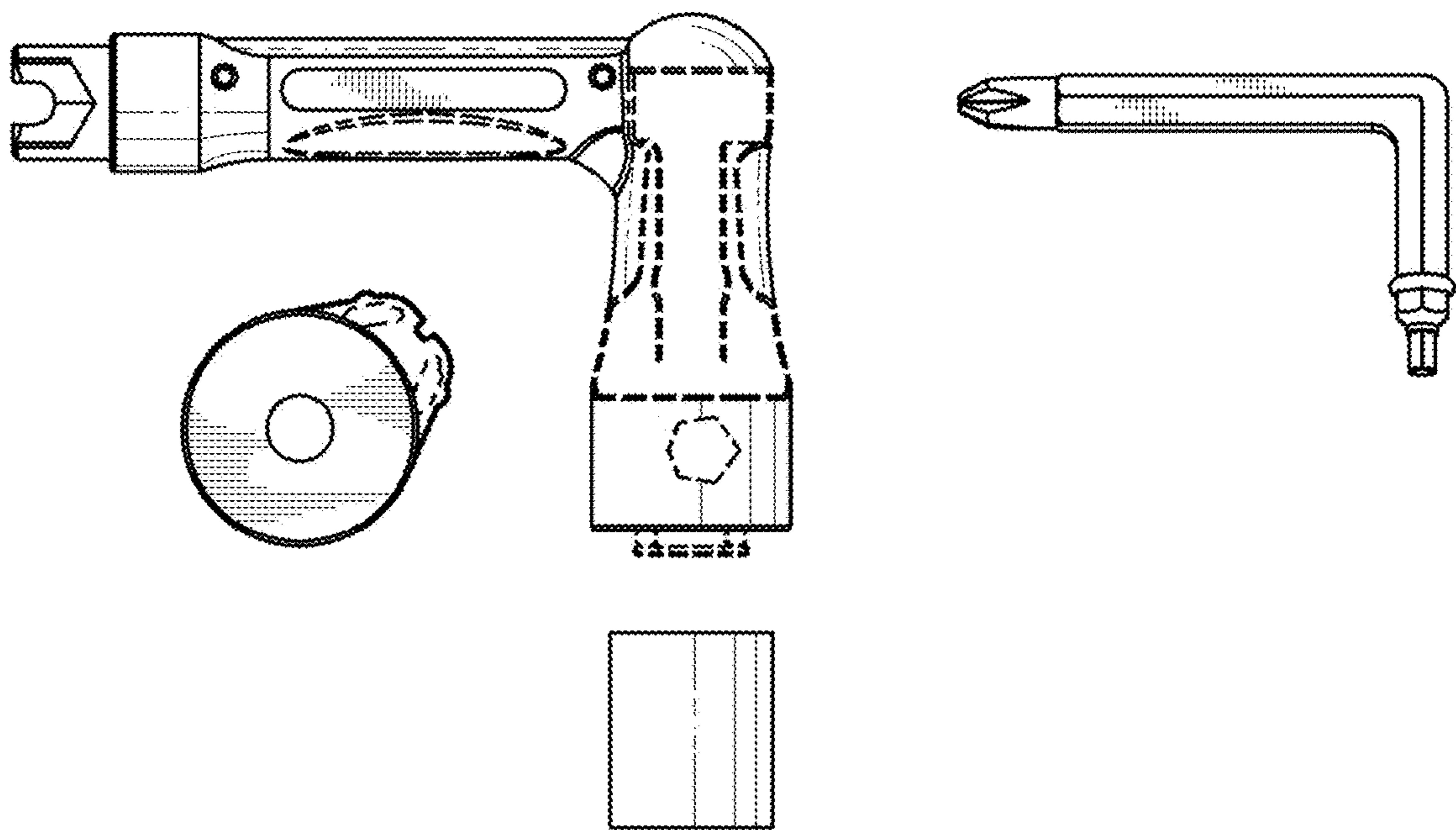


Figure 8

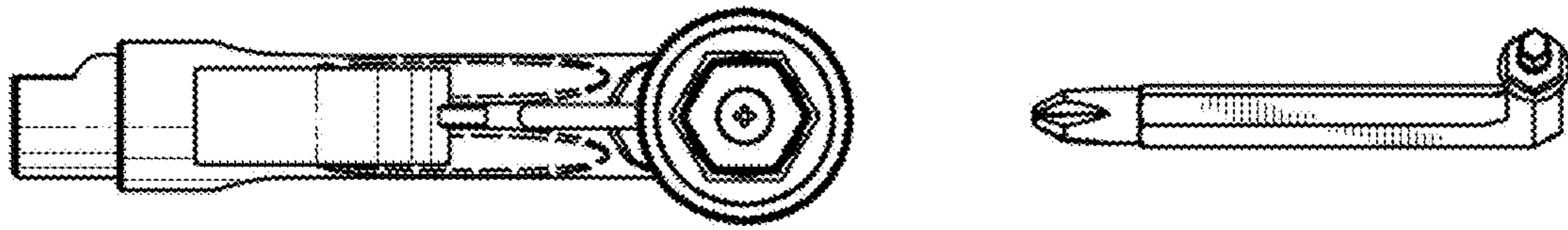


Figure 9

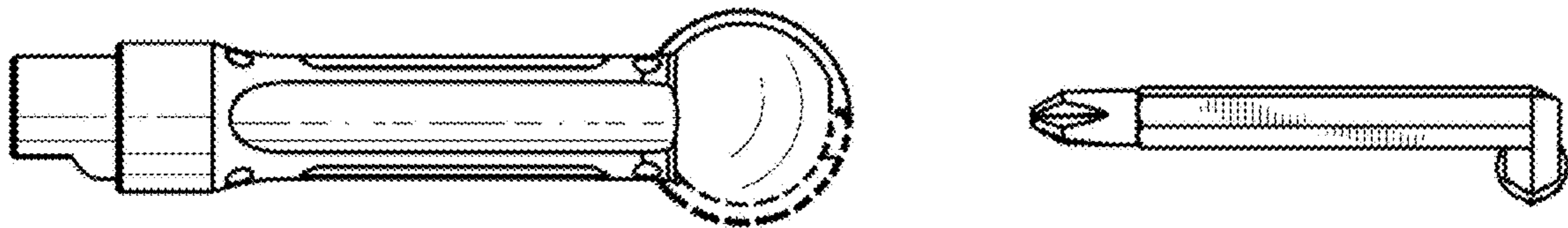


Figure 10

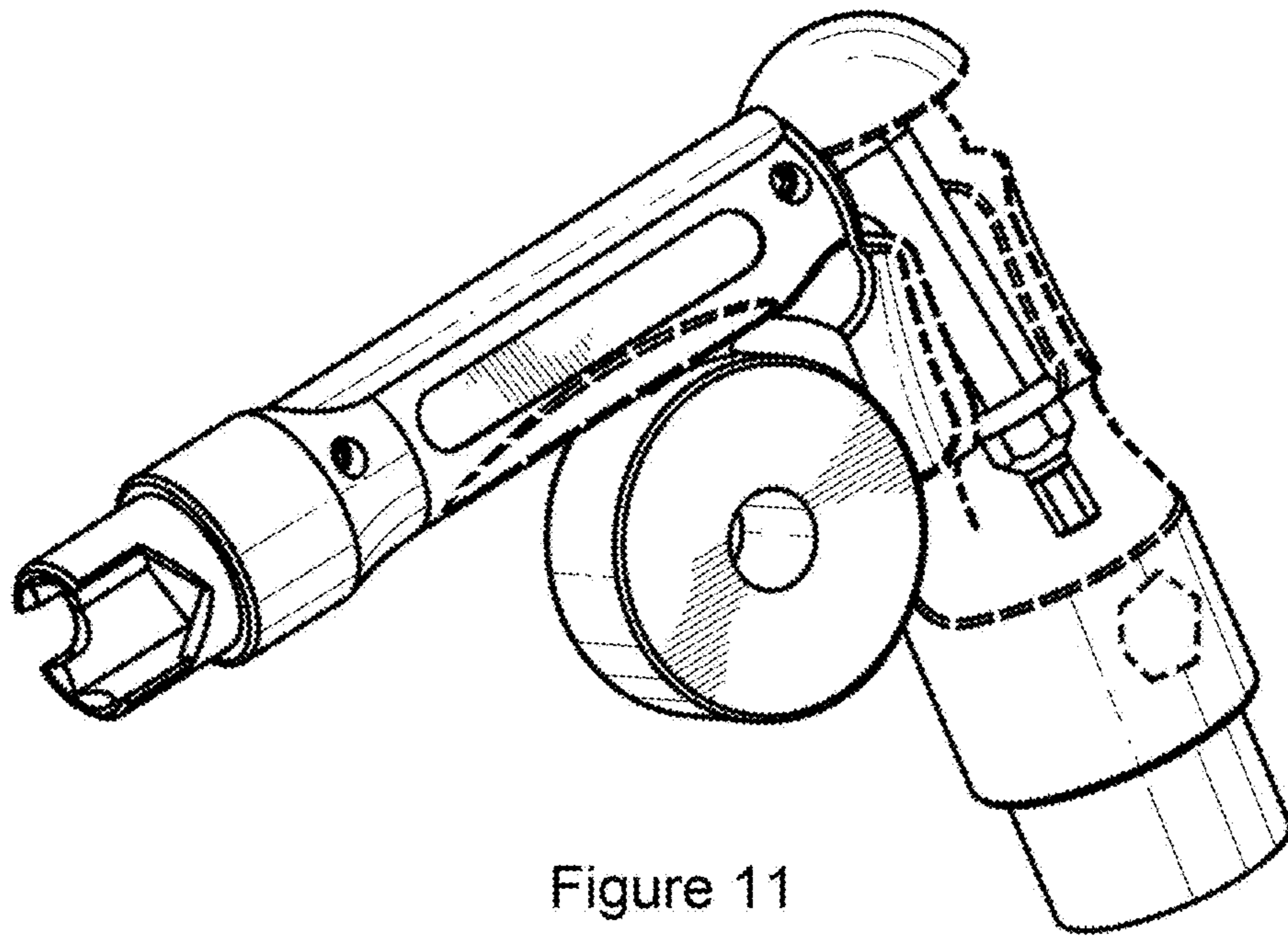


Figure 11

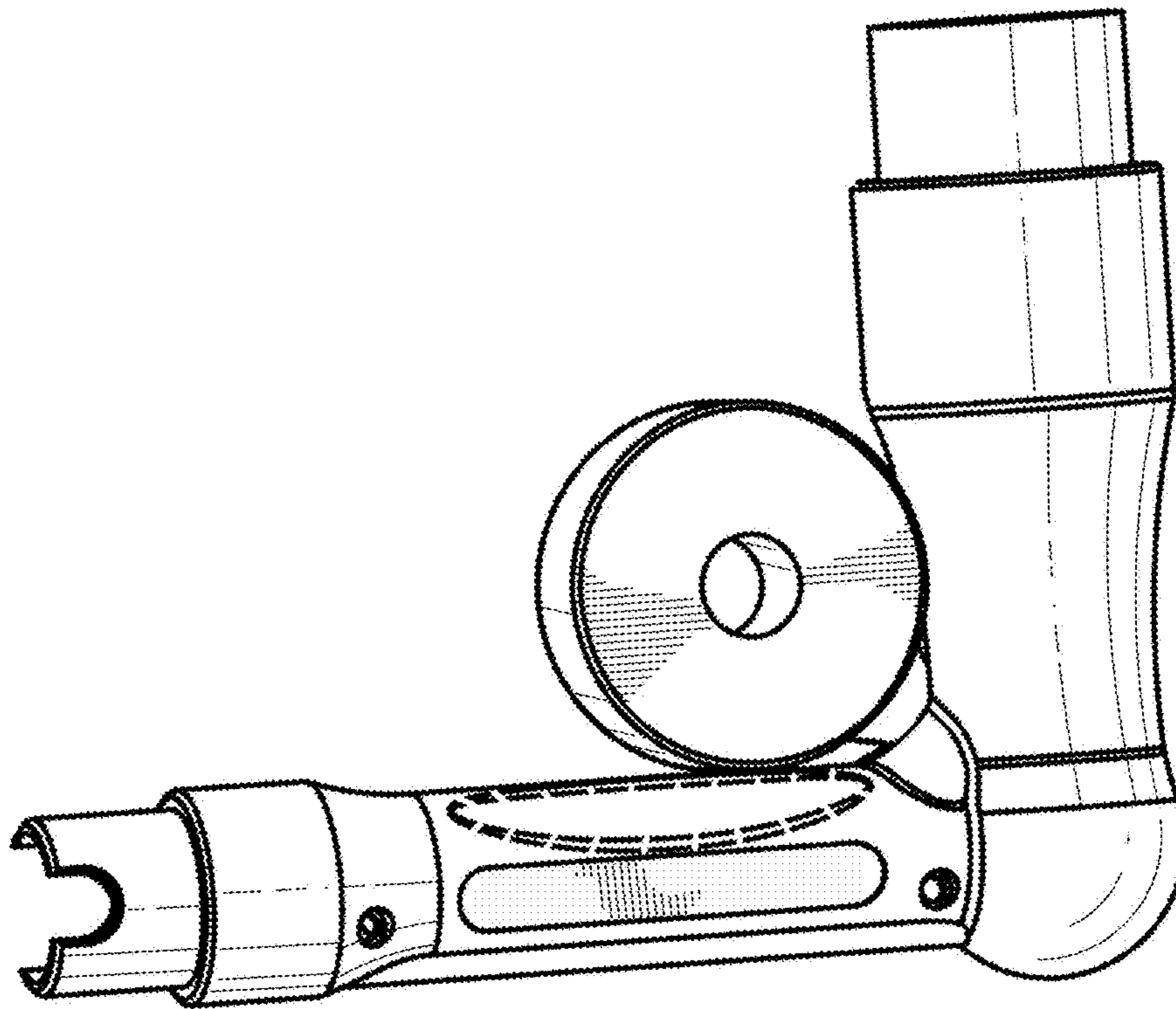


Figure 12

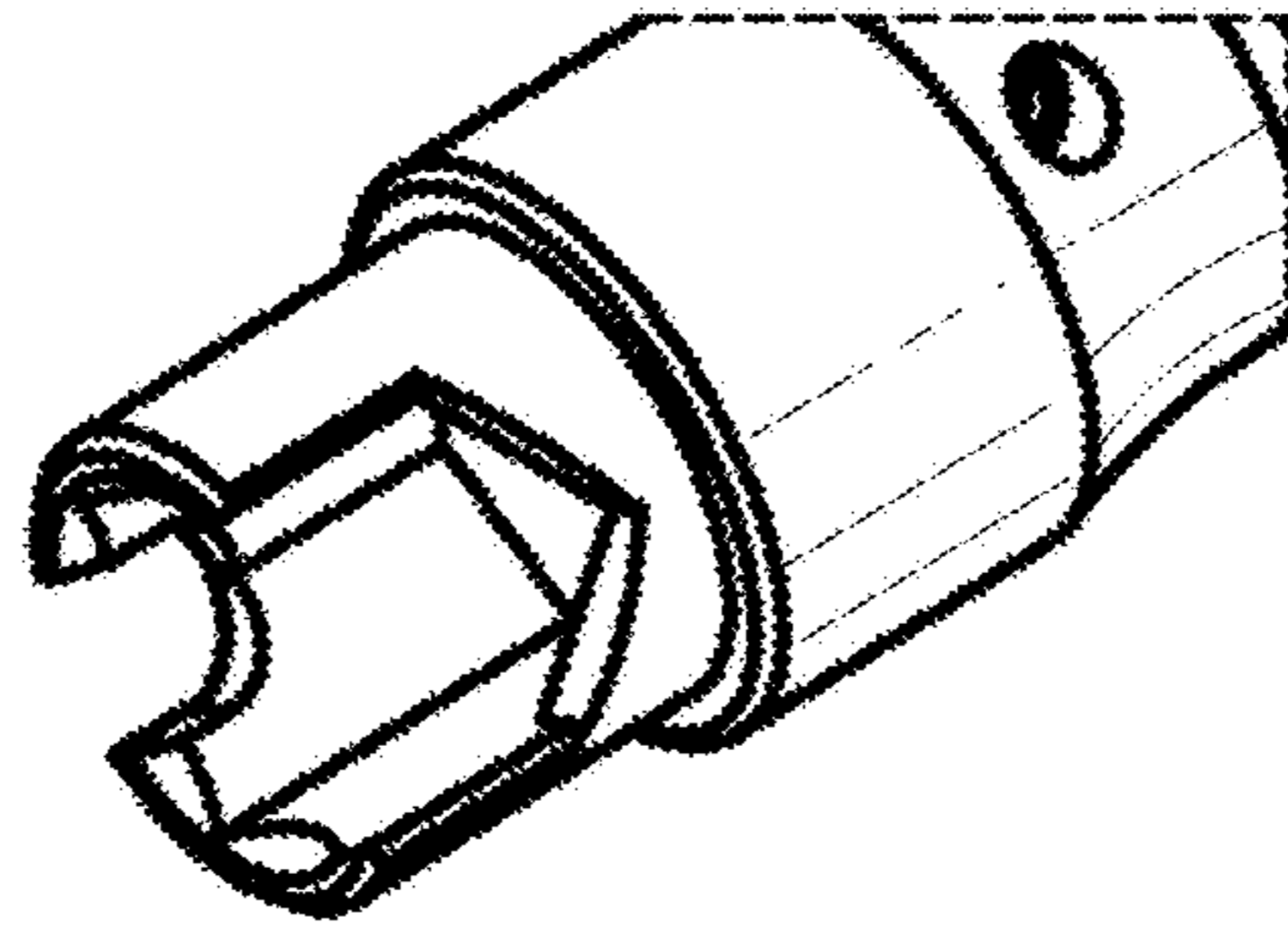


Figure 13

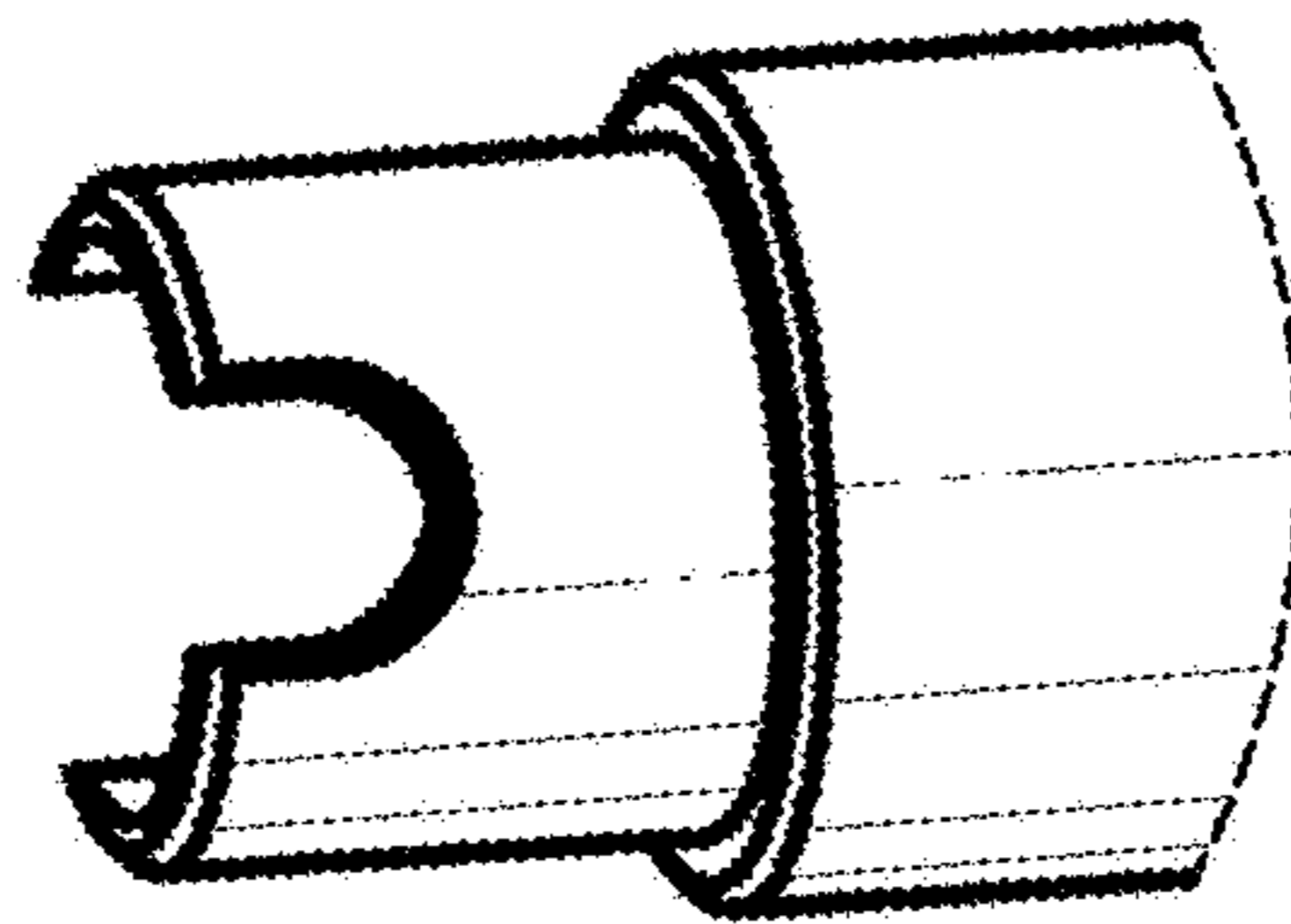


Figure 14

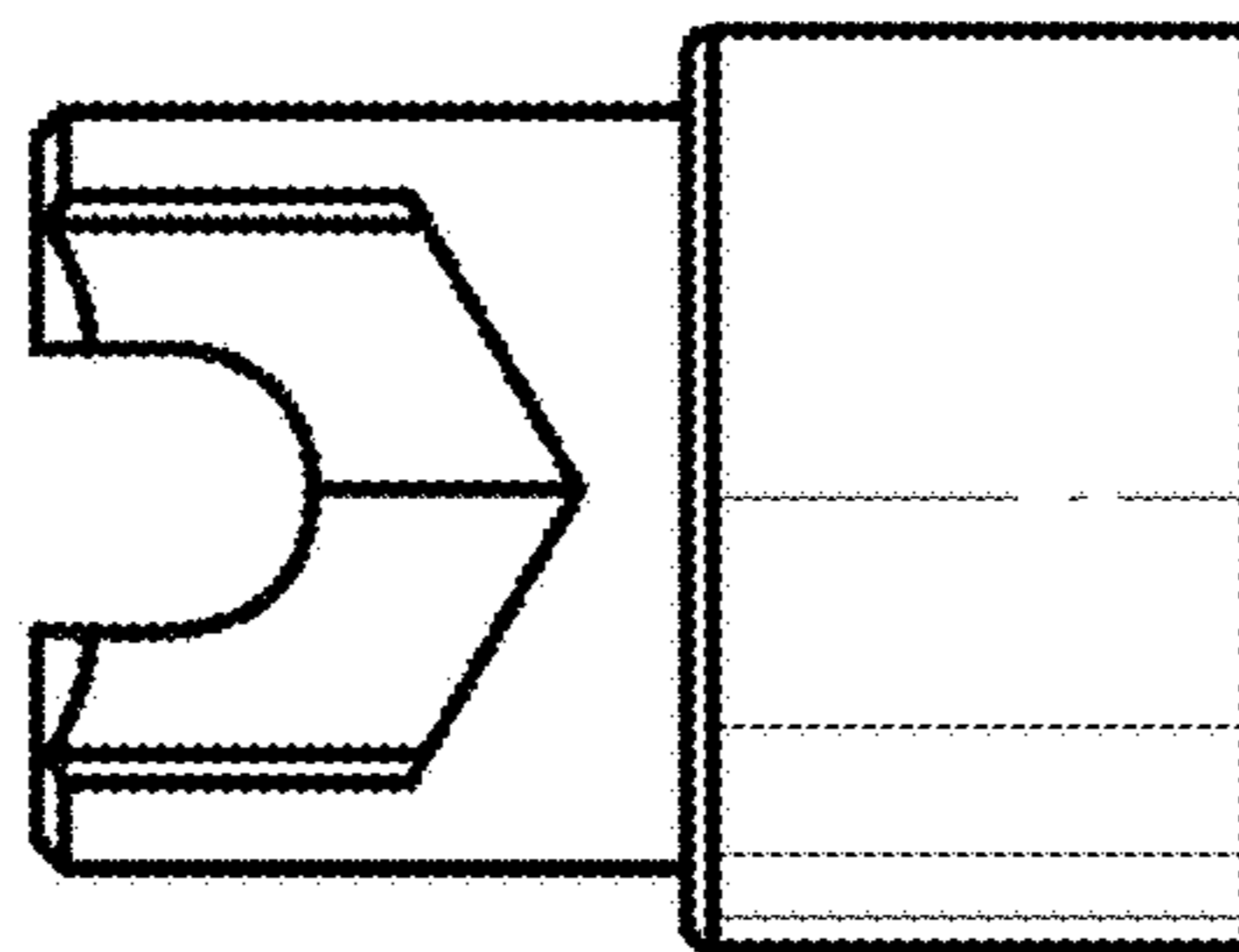


Figure 15