



US00D804273S

(12) **United States Design Patent**  
**Thomsen**

(10) **Patent No.:** **US D804,273 S**

(45) **Date of Patent:** **\*\* Dec. 5, 2017**

(54) **UTILITY KNIFE**

(71) Applicant: **Amalgam LLC**, Portland, OR (US)

(72) Inventor: **Alex A. Thomsen**, Portland, OR (US)

(73) Assignee: **Amalgam LLC**, Portland, OR (US)

(\*\*) Term: **15 Years**

(21) Appl. No.: **29/584,000**

(22) Filed: **Nov. 10, 2016**

(51) **LOC (10) Cl.** ..... **08-03**

(52) **U.S. Cl.**  
USPC ..... **D8/99**

(58) **Field of Classification Search**  
USPC .... D8/14, 17, 18, 21, 98, 99, 105; D22/118;  
30/162  
CPC .... B26B 3/06; B26B 1/08; B26B 5/00; B26B  
5/001; B26B 5/003; B26B 5/005; B26B  
5/006  
See application file for complete search history.

(56) **References Cited**

**U.S. PATENT DOCUMENTS**

- 1,496,927 A \* 6/1924 Evers ..... B26B 5/006  
30/162
- 3,406,447 A \* 10/1968 Travlos ..... B26B 27/005  
30/162
- 4,570,342 A \* 2/1986 Baum ..... B26B 5/006  
30/136
- 5,054,198 A \* 10/1991 Gmoch ..... B67B 7/30  
30/2
- D328,229 S \* 7/1992 Gmoch ..... D8/99

- D497,301 S \* 10/2004 Kondo ..... D8/99
- D743,236 S \* 11/2015 Fischer ..... D8/99
- D782,892 S \* 4/2017 Fischer ..... D8/99
- D790,313 S \* 6/2017 Watanabe ..... D8/99
- 2008/0250650 A1 \* 10/2008 Seber ..... B26B 5/001  
30/161

\* cited by examiner

*Primary Examiner* — Phillip S Hyder

(74) *Attorney, Agent, or Firm* — DASCENZO Intellectual Property Law, P.C.

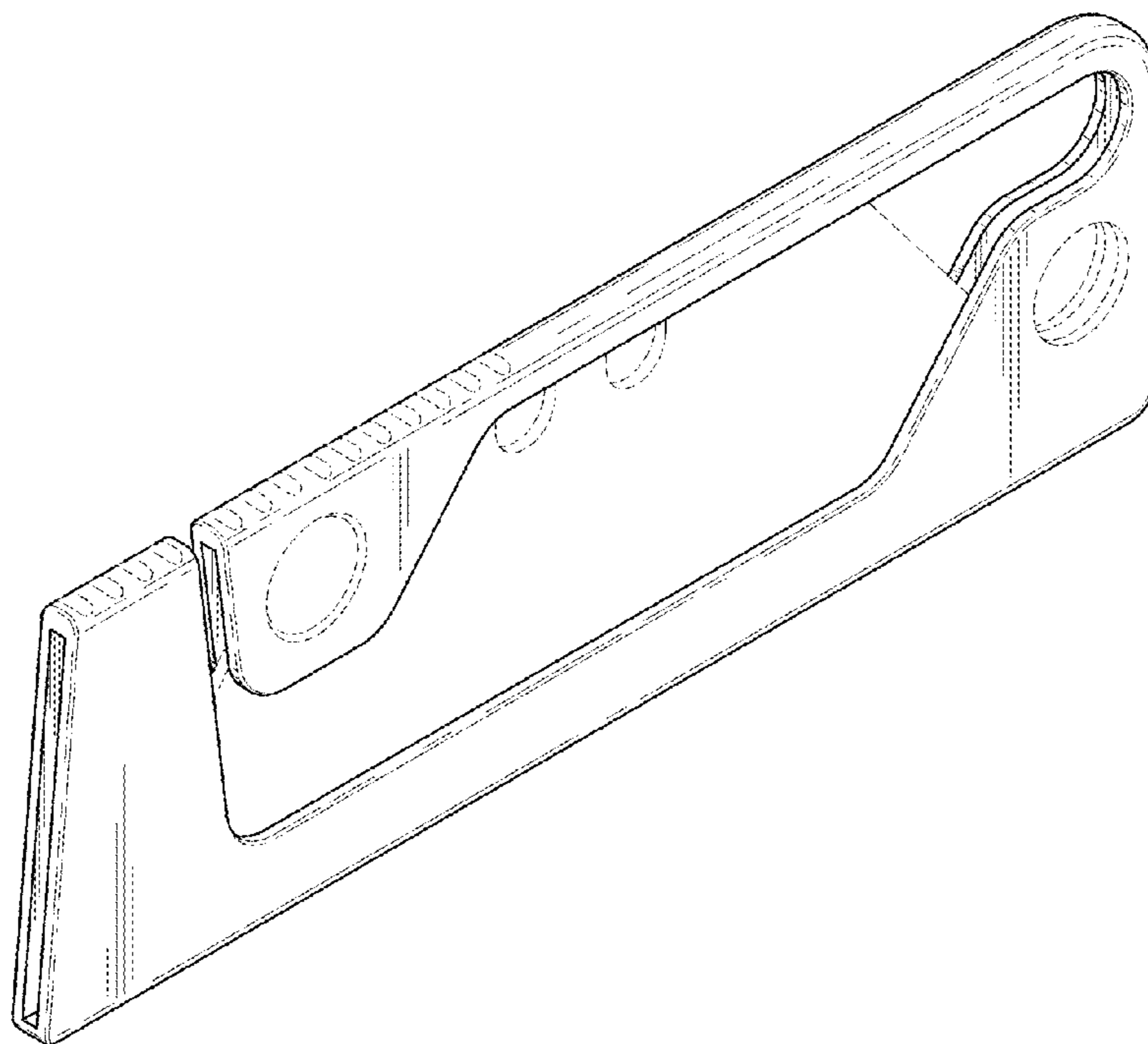
(57) **CLAIM**

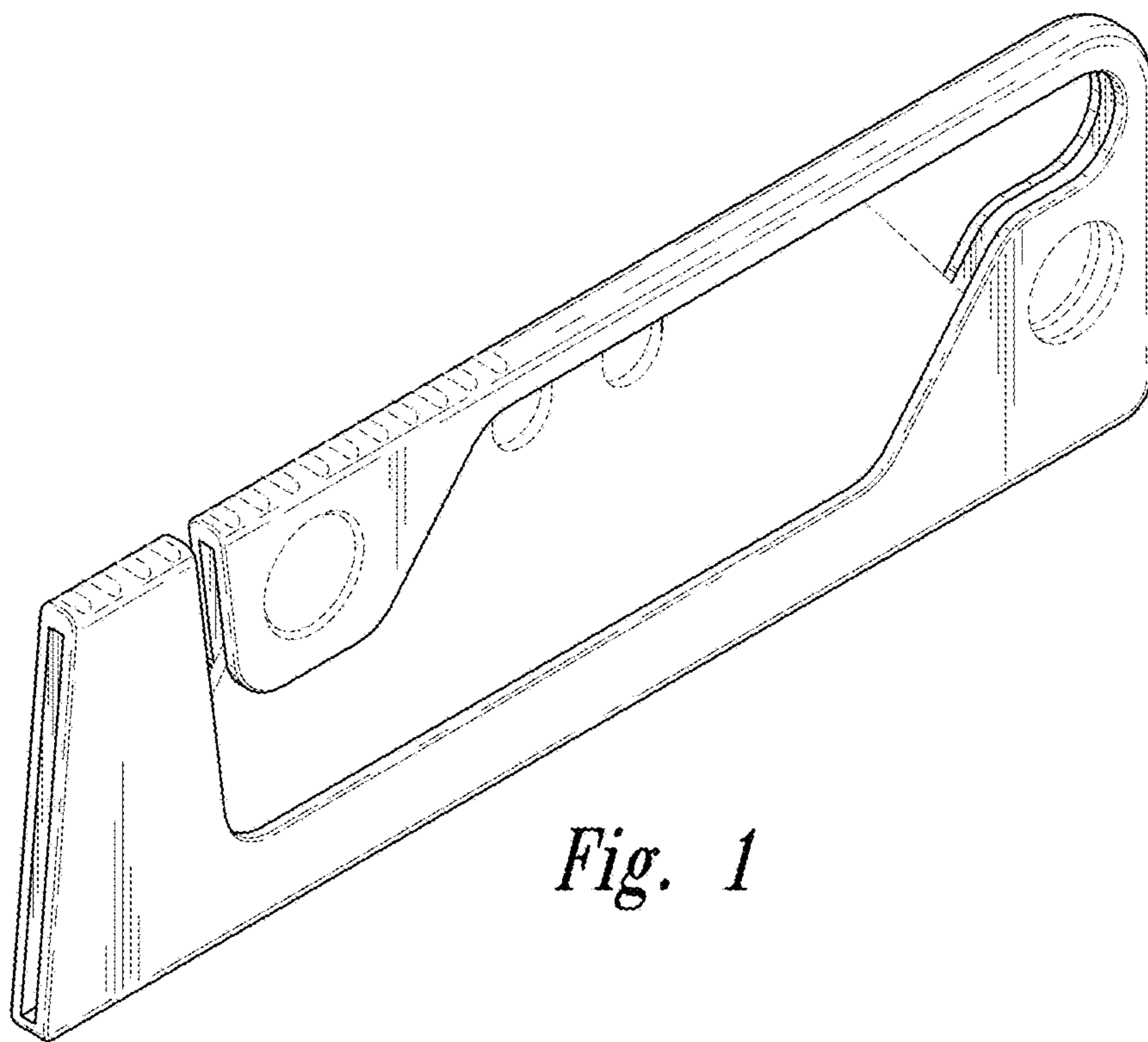
The ornamental design for a utility knife, as shown and described.

**DESCRIPTION**

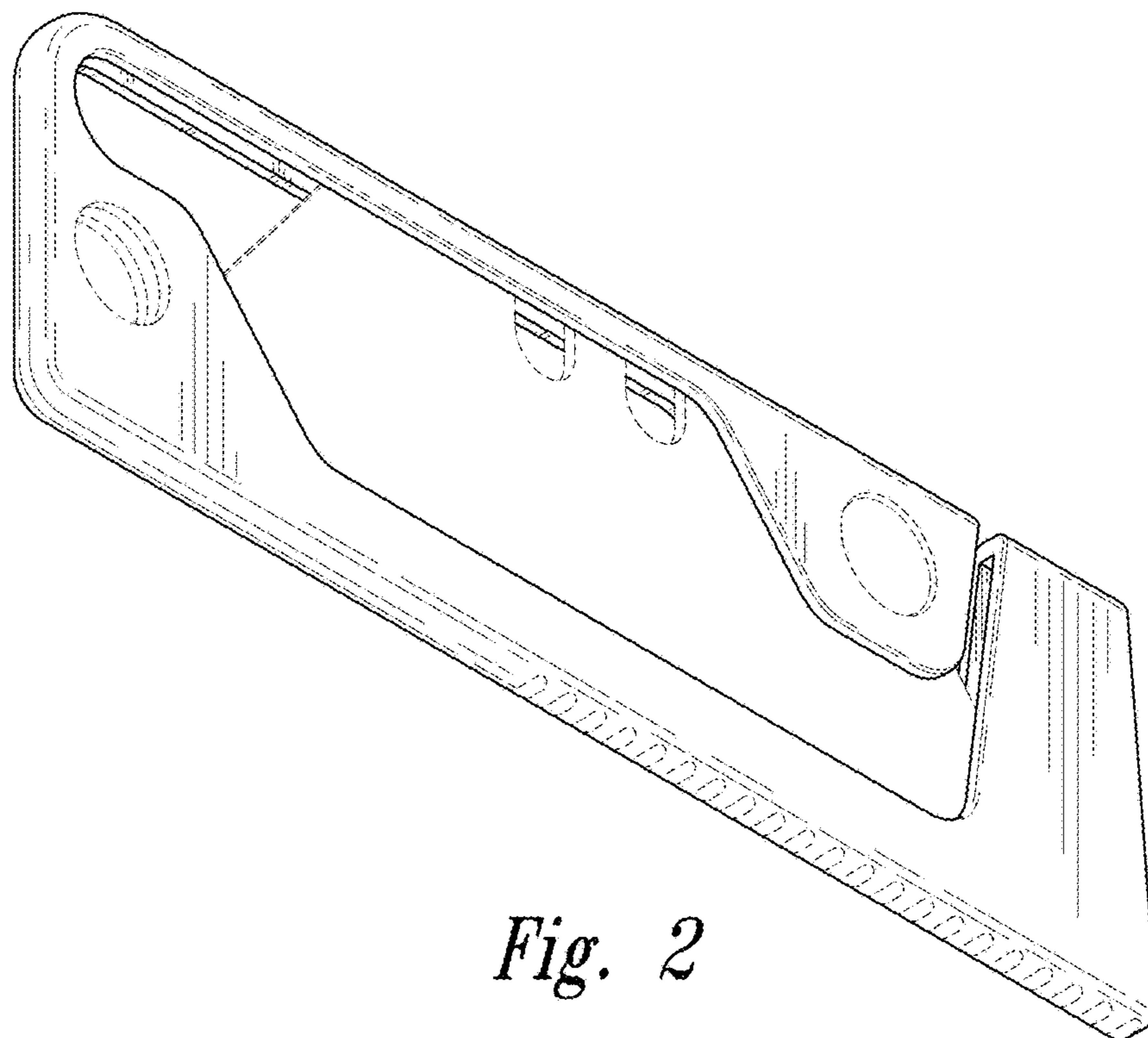
FIG. 1 is a top perspective view showing the new design with the blade in a stowed position;  
 FIG. 2 is a bottom perspective view thereof;  
 FIG. 3 is a side view thereof;  
 FIG. 4 is a top view thereof;  
 FIG. 5 is a bottom view thereof;  
 FIG. 6 is an end view thereof;  
 FIG. 7 is another end view thereof;  
 FIG. 8 is another side view thereof;  
 FIG. 9 is a side view thereof with the blade in a first deployed position; and,  
 FIG. 10 is a side view thereof with the blade in a second deployed position.  
 The broken lines shown in the drawings represent portions of the utility knife that form no part of the claimed design.

**1 Claim, 4 Drawing Sheets**

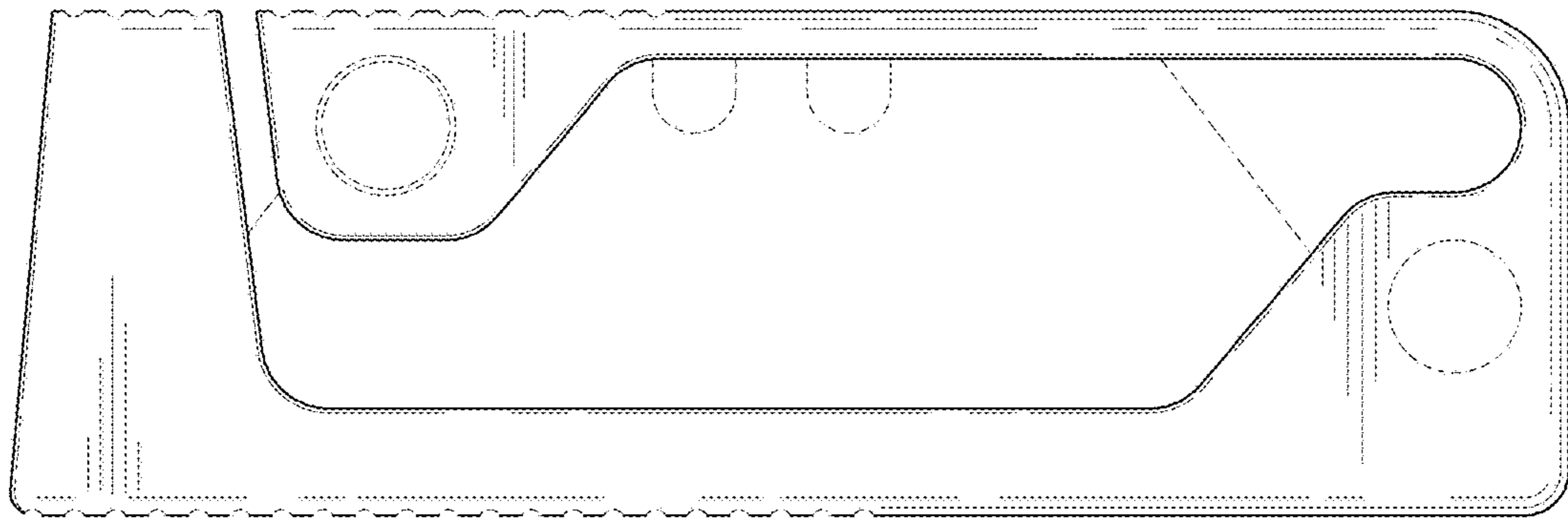




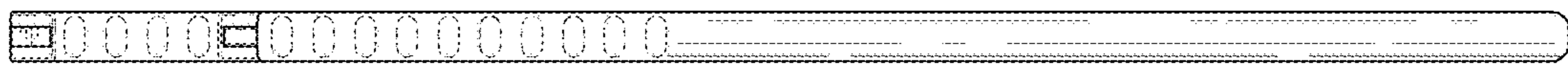
*Fig. 1*



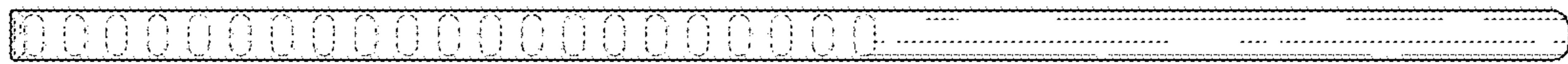
*Fig. 2*



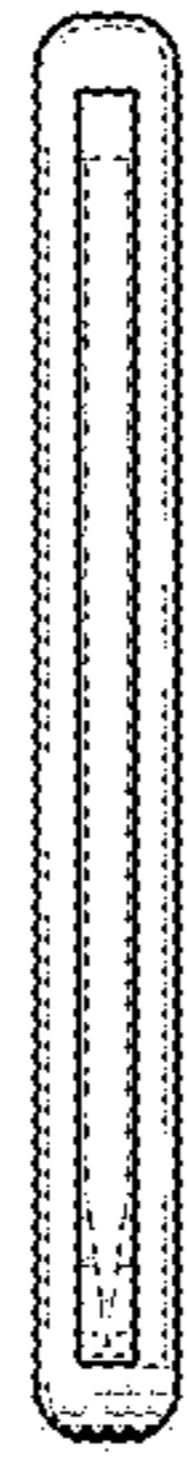
*Fig. 3*



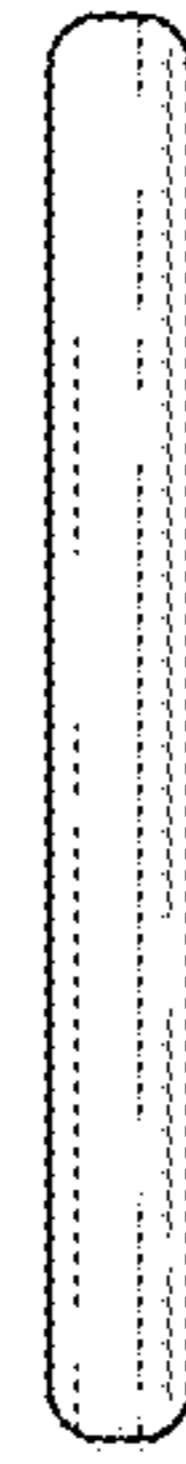
*Fig. 4*



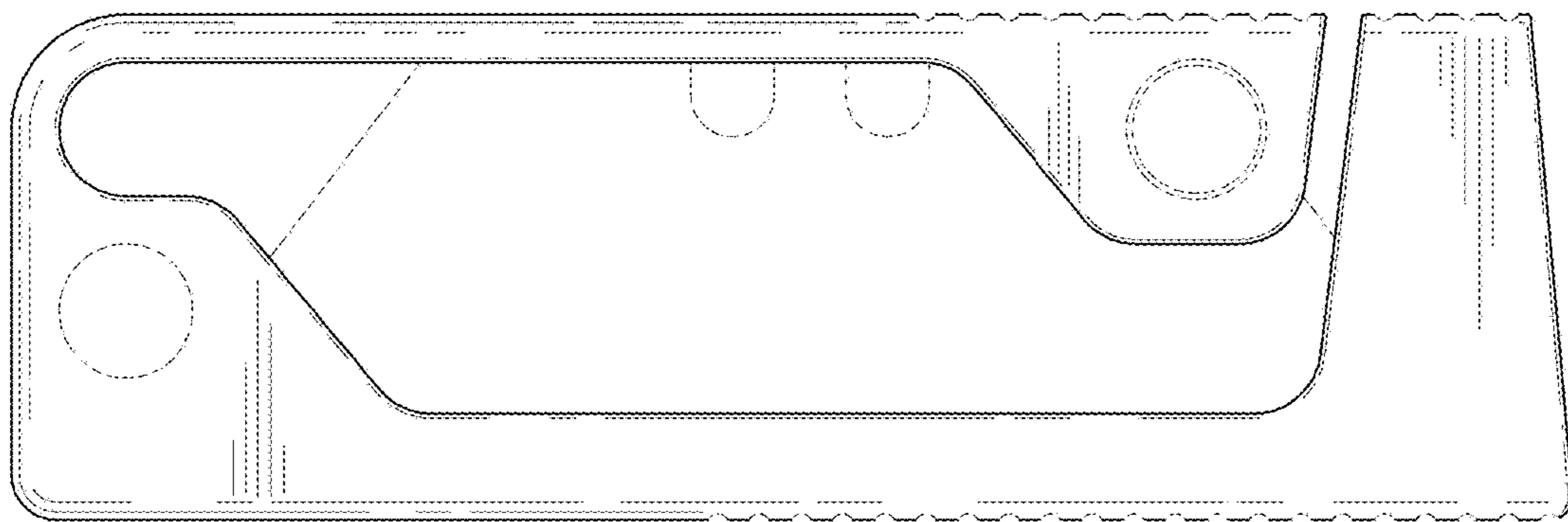
*Fig. 5*



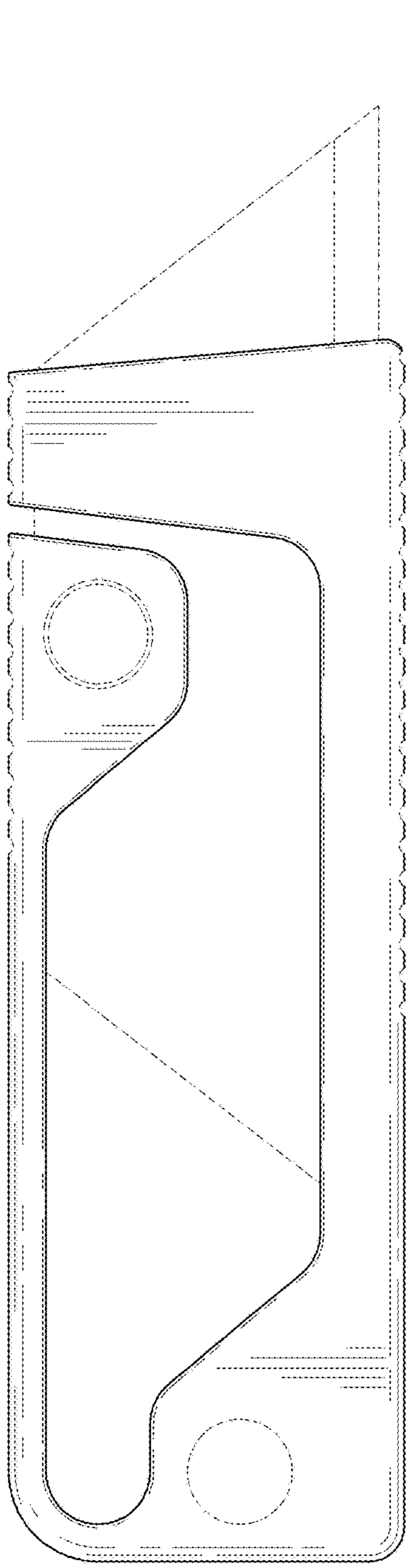
*Fig. 6*



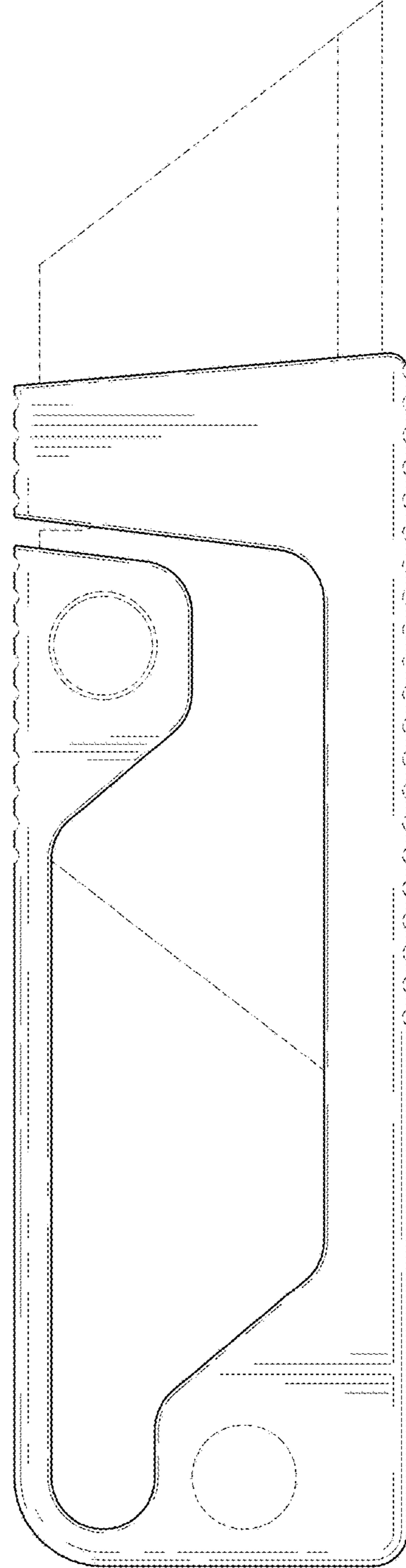
*Fig. 7*



*Fig. 8*



*Fig. 9*



*Fig. 10*