



US00D804272S

(12) **United States Design Patent** (10) **Patent No.:** **US D804,272 S**
Chalfant (45) **Date of Patent:** **** Dec. 5, 2017**

(54) **SHARPENER**

(71) Applicant: **Smith's Consumer Products, Inc.**, Hot Springs, AR (US)

(72) Inventor: **Louis Chalfant**, Hot Springs, AR (US)

(73) Assignee: **SMITH'S CONSUMER PRODUCTS, INC.**, Hot Springs, AR (US)

(**) Term: **15 Years**

(21) Appl. No.: **29/573,188**

(22) Filed: **Aug. 3, 2016**

(51) **LOC (10) Cl.** **08-05**

(52) **U.S. Cl.**
USPC **D8/91**

(58) **Field of Classification Search**
USPC D7/395; D8/14, 90-94, 98, 99, 105, 107;
D22/118
CPC .. B24B 3/54546; B24D 15/065; B24D 15/08;
B24D 15/081; B24D 15/082
See application file for complete search history.

(56) **References Cited**

U.S. PATENT DOCUMENTS

587,328 A * 8/1897 Rader et al. B24D 15/08
451/164

2,125,566 A 8/1938 Hill

2,194,525 A 3/1940 Nordberg

2,652,667 A * 9/1953 Arnold B24D 15/08
451/555

2,948,167 A 8/1960 Spano

D217,219 S * 4/1970 Coon et al. D8/90

D218,392 S * 8/1970 Coon et al. D8/90

D223,744 S * 6/1972 Coon et al. D8/90

D225,720 S * 1/1973 Coon et al. D8/90

3,718,938 A 3/1973 Blume

3,735,542 A 5/1973 Kocian

3,861,087 A 1/1975 Martin

D276,129 S * 10/1984 Hayes D8/90

4,558,540 A 12/1985 Collins

D294,071 S * 2/1988 Lallerstedt D28/59

D301,070 S * 5/1989 Lallerstedt D28/59

5,046,385 A 9/1991 Cozzini et al.

D327,622 S * 7/1992 Braid D8/90

D372,180 S * 7/1996 Powell D8/91

D380,345 S * 7/1997 Lu D7/393

D472,785 S * 4/2003 Watson D8/90

6,676,490 B1 1/2004 Kendhammer

D486,052 S * 2/2004 Smith D8/91

D493,684 S * 8/2004 Smith D8/90

D498,654 S * 11/2004 Smith D8/91

D529,779 S * 10/2006 Smith D8/93

D629,647 S * 12/2010 Munari D7/395

D666,887 S * 9/2012 Wattenberg D8/99

D723,898 S * 3/2015 Smith D8/105

D764,887 S * 8/2016 McConnell D8/107

D790,313 S * 6/2017 Watanabe D8/99

D796,932 S * 9/2017 Sung D8/99

2006/0009141 A1 * 1/2006 Smith B24D 15/08
451/540

(Continued)

Primary Examiner — Philip S Hyder
Assistant Examiner — Roselynn Cody
 (74) *Attorney, Agent, or Firm* — Wright Lindsey
 Jennings, LLP; Meredith K. Lowry

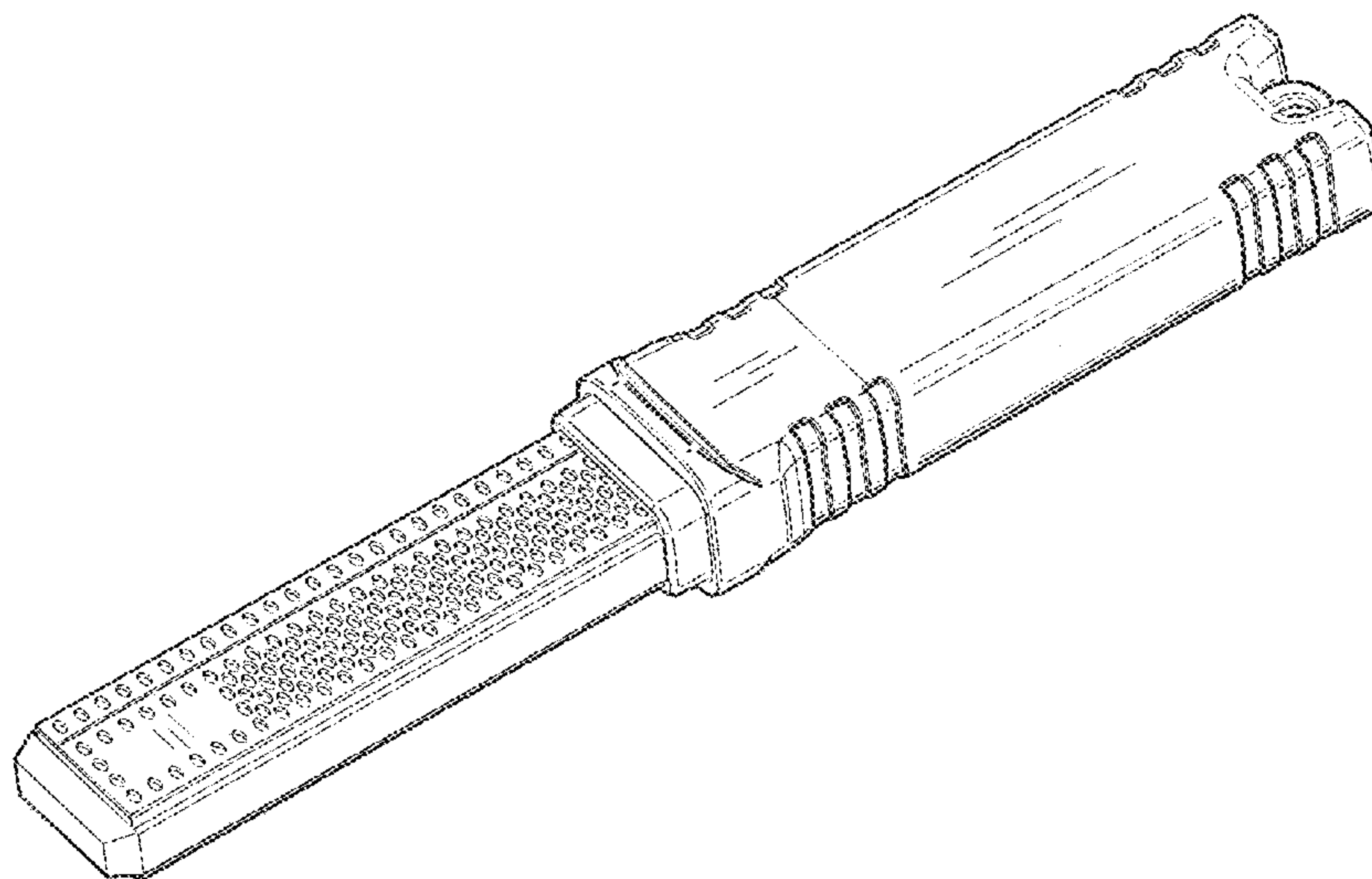
(57) **CLAIM**

The ornamental design for the sharpener, as shown.

DESCRIPTION

FIG. 1 is a perspective view of the sharpener.
 FIG. 2 is a top view thereof.
 FIG. 3 is a bottom view thereof.
 FIG. 4 is a left side view thereof.
 FIG. 5 is a right side view thereof.
 FIG. 6 is a front view thereof; and,
 FIG. 7 is a back view thereof.

1 Claim, 4 Drawing Sheets



(56)

References Cited

U.S. PATENT DOCUMENTS

2007/0123155 A1* 5/2007 Smith B24D 15/08
451/522
2009/0235534 A1* 9/2009 Chu B26B 1/08
30/162

* cited by examiner

FIG. 1

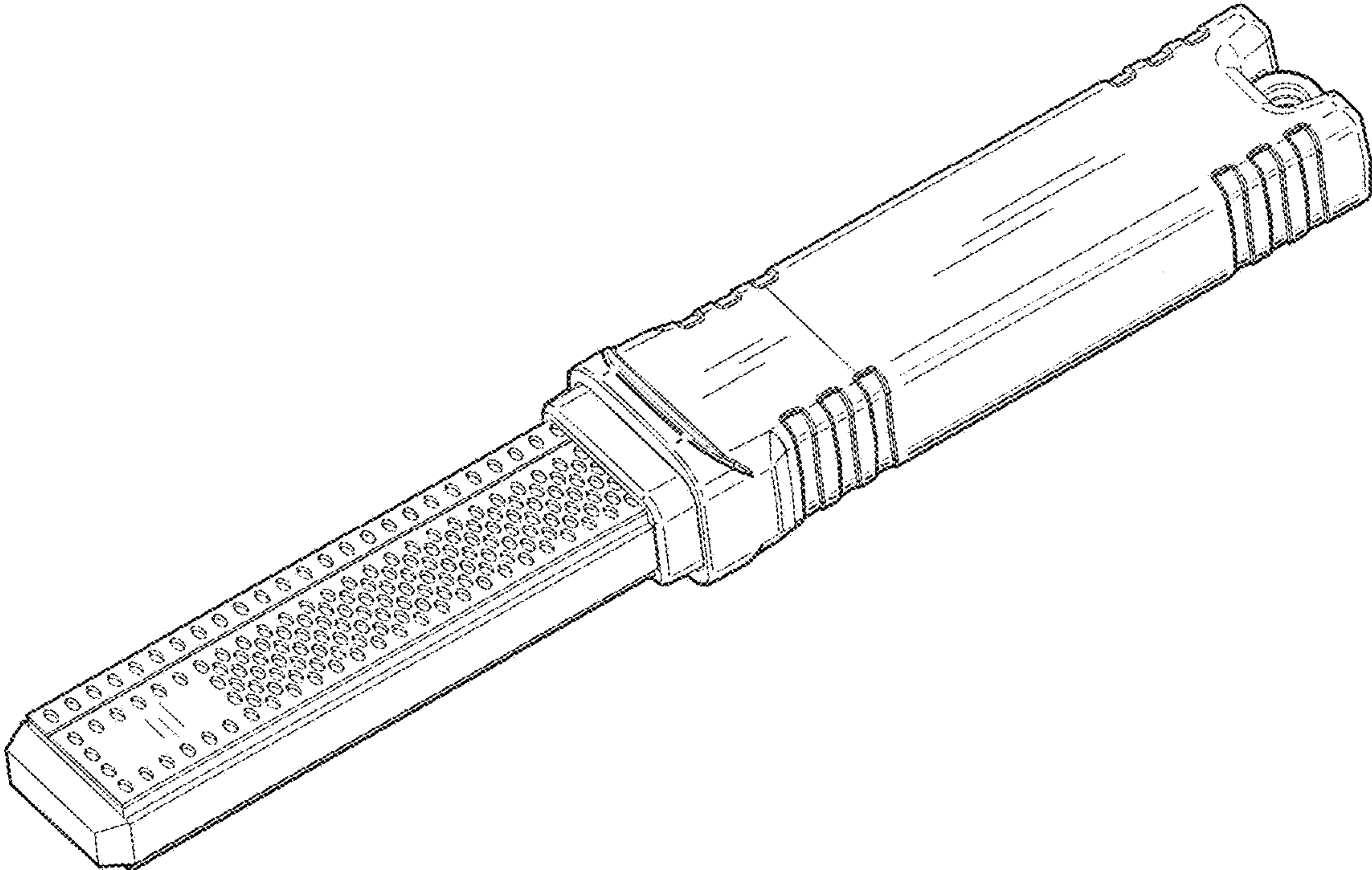


FIG. 2

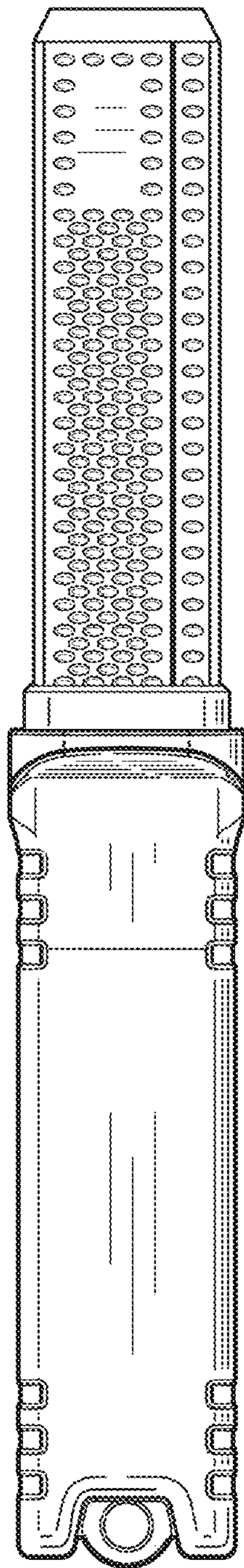


FIG. 3

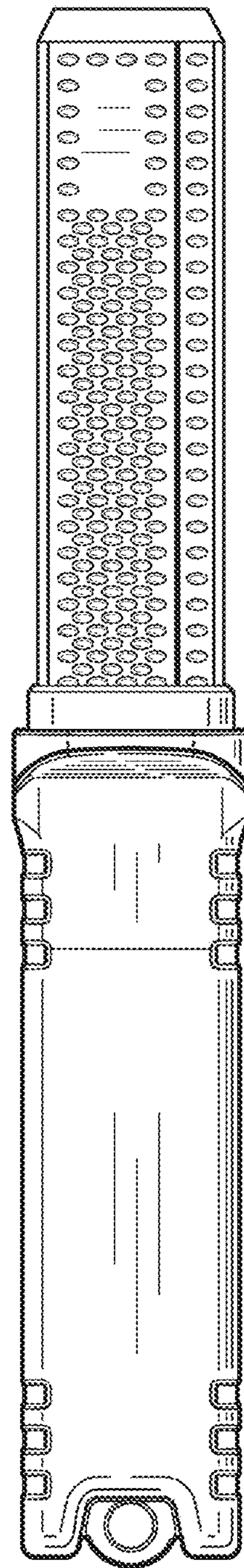


FIG. 4

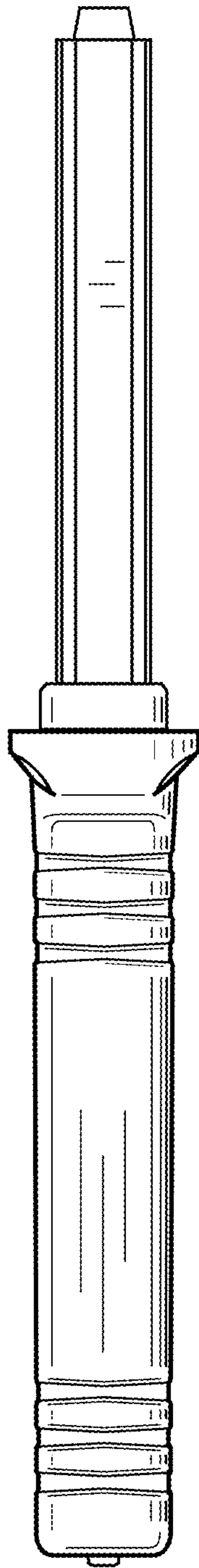


FIG. 5

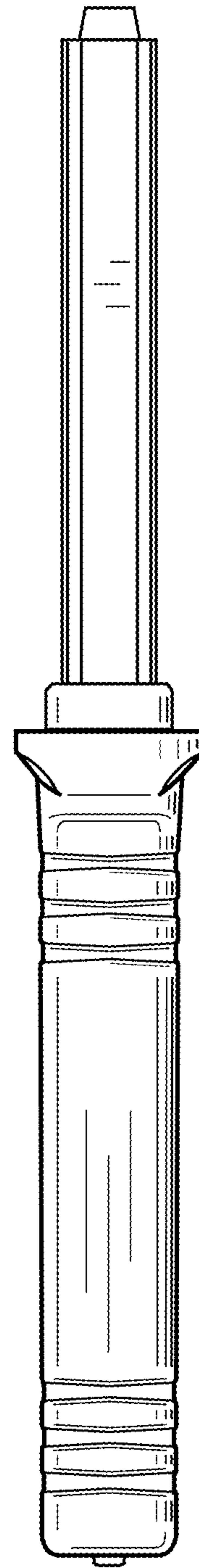


FIG. 6

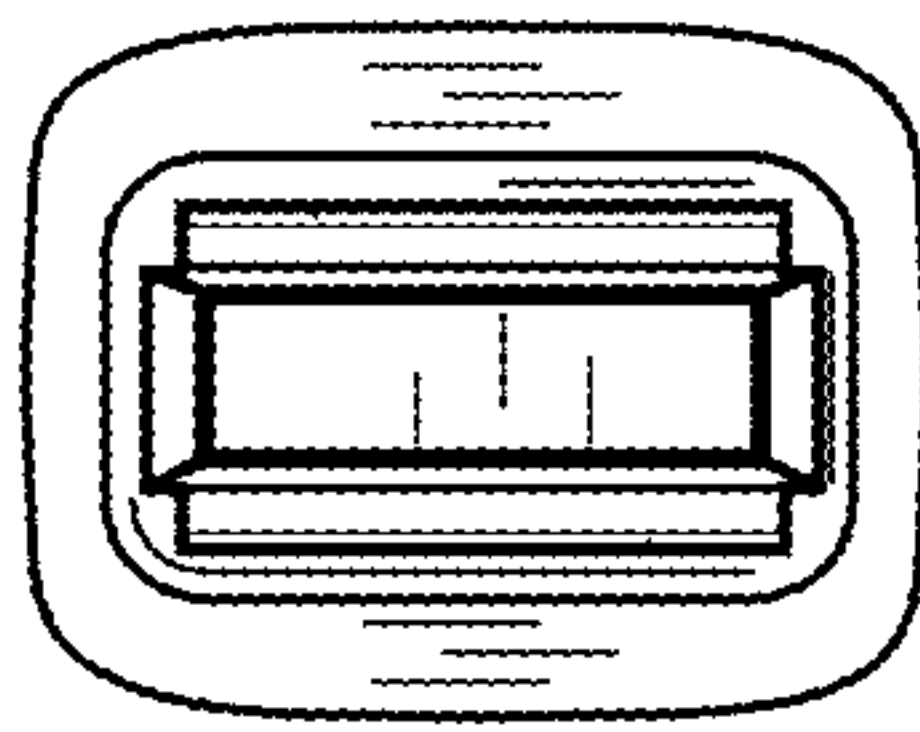


FIG. 7

