



US00D804271S

(12) **United States Design Patent** (10) **Patent No.:** **US D804,271 S**
Fording et al. (45) **Date of Patent:** **** Dec. 5, 2017**

(54) **HAMMER**

OTHER PUBLICATIONS

(71) Applicant: **Lowe's Companies, Inc.**, Mooresville, NC (US)

Kobalt Hammer with Strike Shield. Downloaded from http://www.lowes.com/pd_117213-16878-62744_1z11pb1_?productId=4776987&p1=1 on Jun. 29, 2015.*

(72) Inventors: **Jay Kinsley Fording**, Davidson, NC (US); **Alexander Wade Ogle**, Mooresville, NC (US); **Jonathan Bryant Grey**, Huntersville, NC (US); **Robert Daniel Lyalls**, Cornelius, NC (US); **Scott Andrew Suttle**, Charlotte, NC (US); **Ludwin Miguel Mora**, Worthington, OH (US); **James Huang Lua**, Columbus, OH (US)

(Continued)

Primary Examiner — Philip S Hyder
Assistant Examiner — Roselynn Cody

(74) *Attorney, Agent, or Firm* — Kilpatrick Townsend & Stockton LLP

(73) Assignee: **Lowe's Companies, Inc.**, Mooresville, NC (US)

(57) **CLAIM**

We claim the ornamental design for a hammer, as shown and described.

(**) Term: **14 Years**

DESCRIPTION

(21) Appl. No.: **29/470,365**

(22) Filed: **Oct. 21, 2013**

Related U.S. Application Data

(63) Continuation-in-part of application No. 13/876,687, filed as application No. PCT/CN2013/070133 on Jan. 6, 2013.

(51) **LOC (10) Cl.** **08-02**

(52) **U.S. Cl.**
USPC **D8/75**

(58) **Field of Classification Search**
USPC D8/14, 75-81, 499; D22/117-118;
81/19-24; 254/26 R, 26 E

(Continued)

(56) **References Cited**

U.S. PATENT DOCUMENTS

1,408,162 A * 2/1922 Bartosz 254/26 R
D288,406 S 2/1987 Santos

(Continued)

FIG. 1 is a rear, side perspective view of a hammer comprising the present invention.

FIG. 2 is a side elevational view of the hammer shown in FIG. 1.

FIG. 3 is another side elevational view of the hammer shown in FIGS. 1 and 2.

FIG. 4 is a front elevational view of the hammer shown in FIGS. 1, 2, and 3.

FIG. 5 is a rear elevational view of the hammer shown in FIGS. 1, 2, 3, and 4.

FIG. 6 is a top view of the hammer shown in FIGS. 1, 2, 3, 4, and 5.

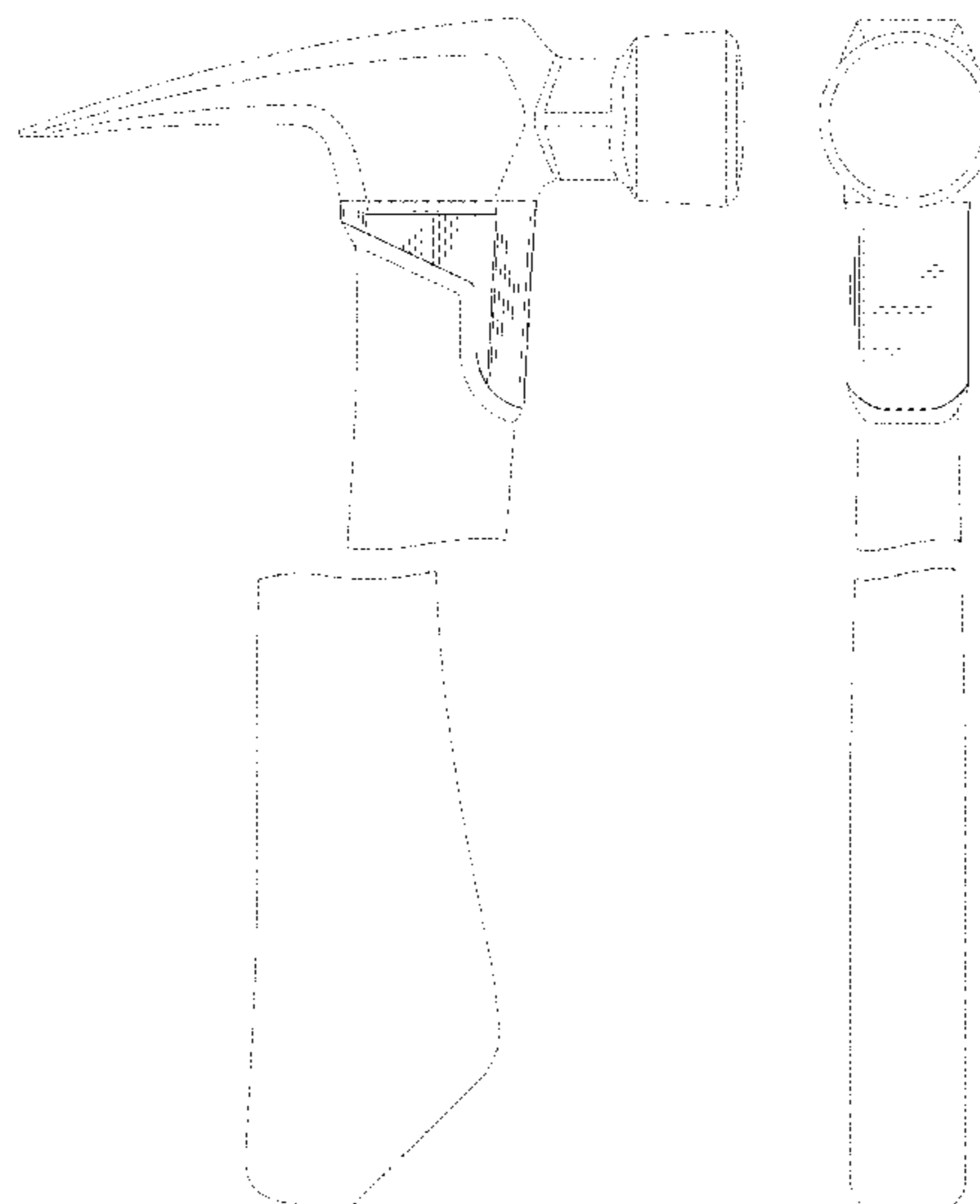
FIG. 7 is a bottom view of the hammer shown in FIGS. 1, 2, 3, 4, 5, and 6; and,

FIG. 8 is a side elevational view of the hammer shown in its full length.

The broken lines are for environmental purposes only and form no part of the claimed design.

The handle, which is not included in the claim, is shown in FIGS. 1-5 with a line break in its length solely for ease of illustrating the claimed design.

1 Claim, 6 Drawing Sheets



(58) **Field of Classification Search**

CPC ... B25D 1/00; B25D 1/02; B25D 1/04; B25D
1/045; B25D 1/06; B25D 1/10; B25D
1/12; B25G 1/102

See application file for complete search history.

(56) **References Cited**

U.S. PATENT DOCUMENTS

5,299,475	A *	4/1994	Stroop	81/489
5,860,334	A	1/1999	Coonrad	
D429,985	S	8/2000	Tovar	
6,772,657	B2	8/2004	Nakayama	
D497,789	S	11/2004	Hung	
7,143,667	B2	12/2006	Deros et al.	
D628,870	S	12/2010	Jerabek et al.	
8,047,099	B2 *	11/2011	St. John et al.	81/20
8,534,643	B2 *	9/2013	Lombardi et al.	254/26 R
2003/0140734	A1	7/2003	Tovar	
2010/0199809	A1 *	8/2010	St. John et al.	81/20

OTHER PUBLICATIONS

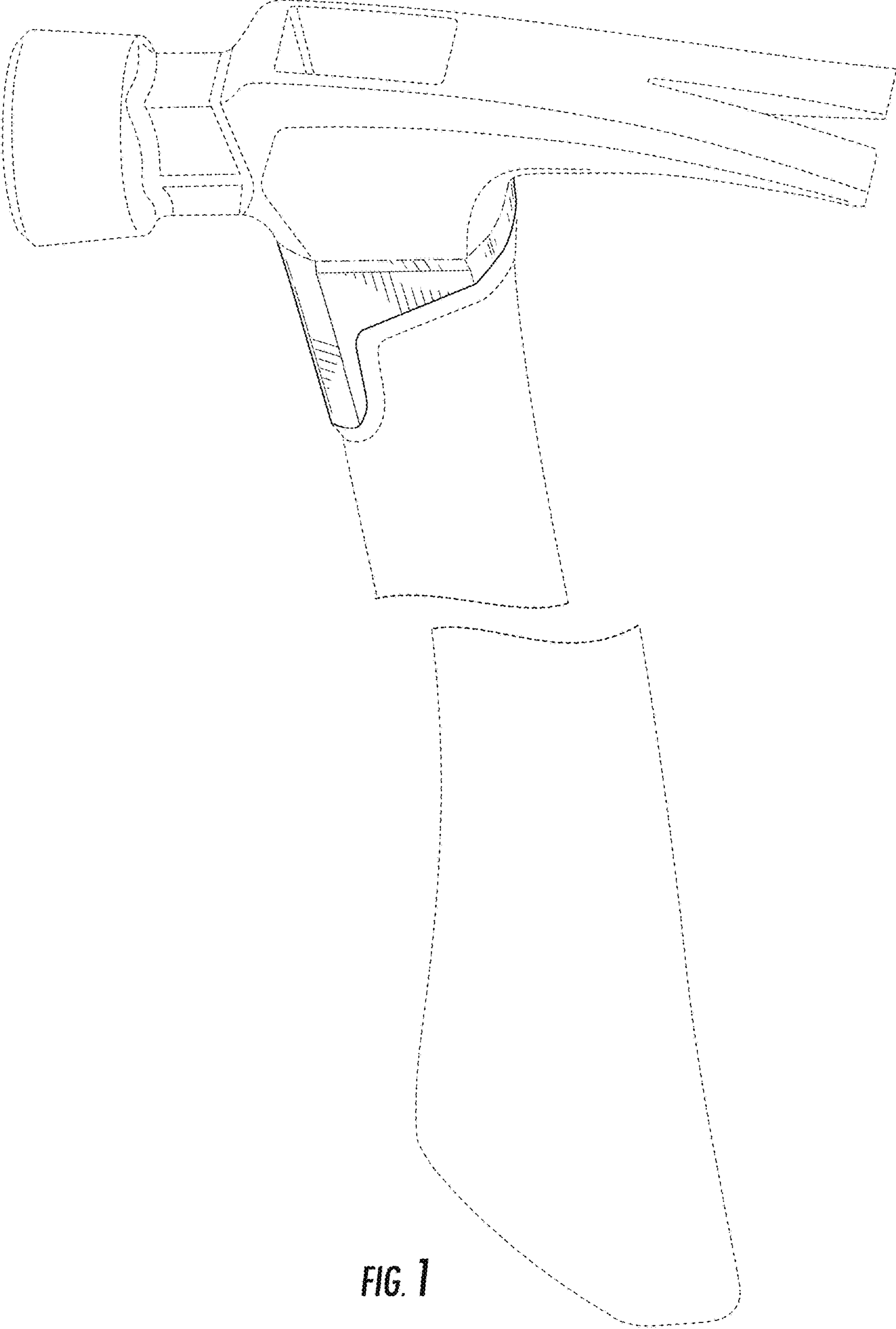
Kobalt 20-oz Fiberglass Rip Claw Hammer with StrikeShield—
Snagged Jun. 29, 2015 from http://www.lowes.com/pd_117213-16878-62744_1z11pb1_?productId=4776987&p1=1#img.*

Hunter Tools, web page at <http://www.huntertoolscorp.com/products.html>, as available via the Internet and printed Jul. 3, 2012.

Hunter Tools, web page at http://www.hammersource.com/Framing_Hammers/24oz_Hunter_Finish_hammer_mill_ed_f..., as available via the Internet and printed Jul. 3, 2012.

Hunter Hammer pictures, various angles.

* cited by examiner



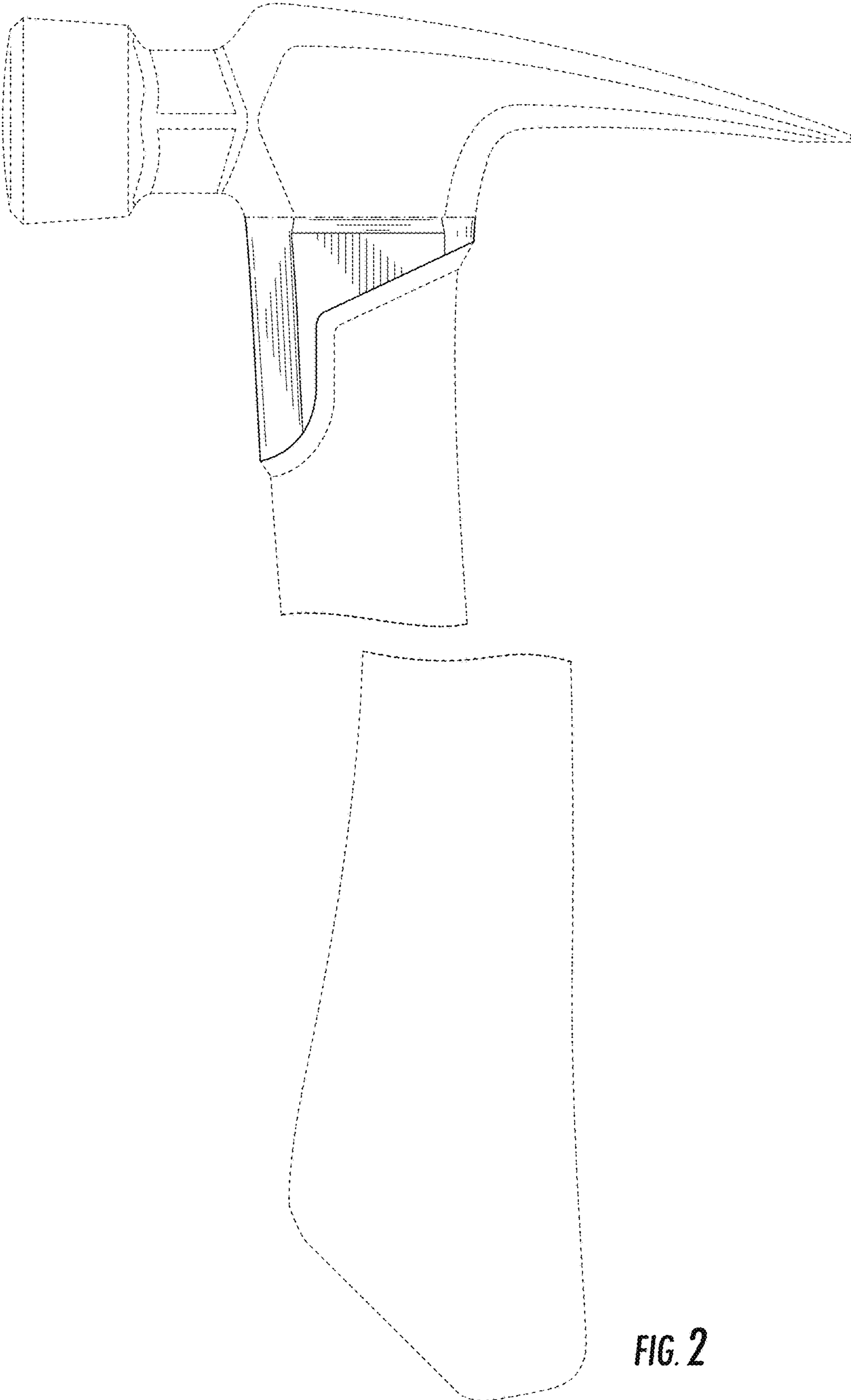


FIG. 2

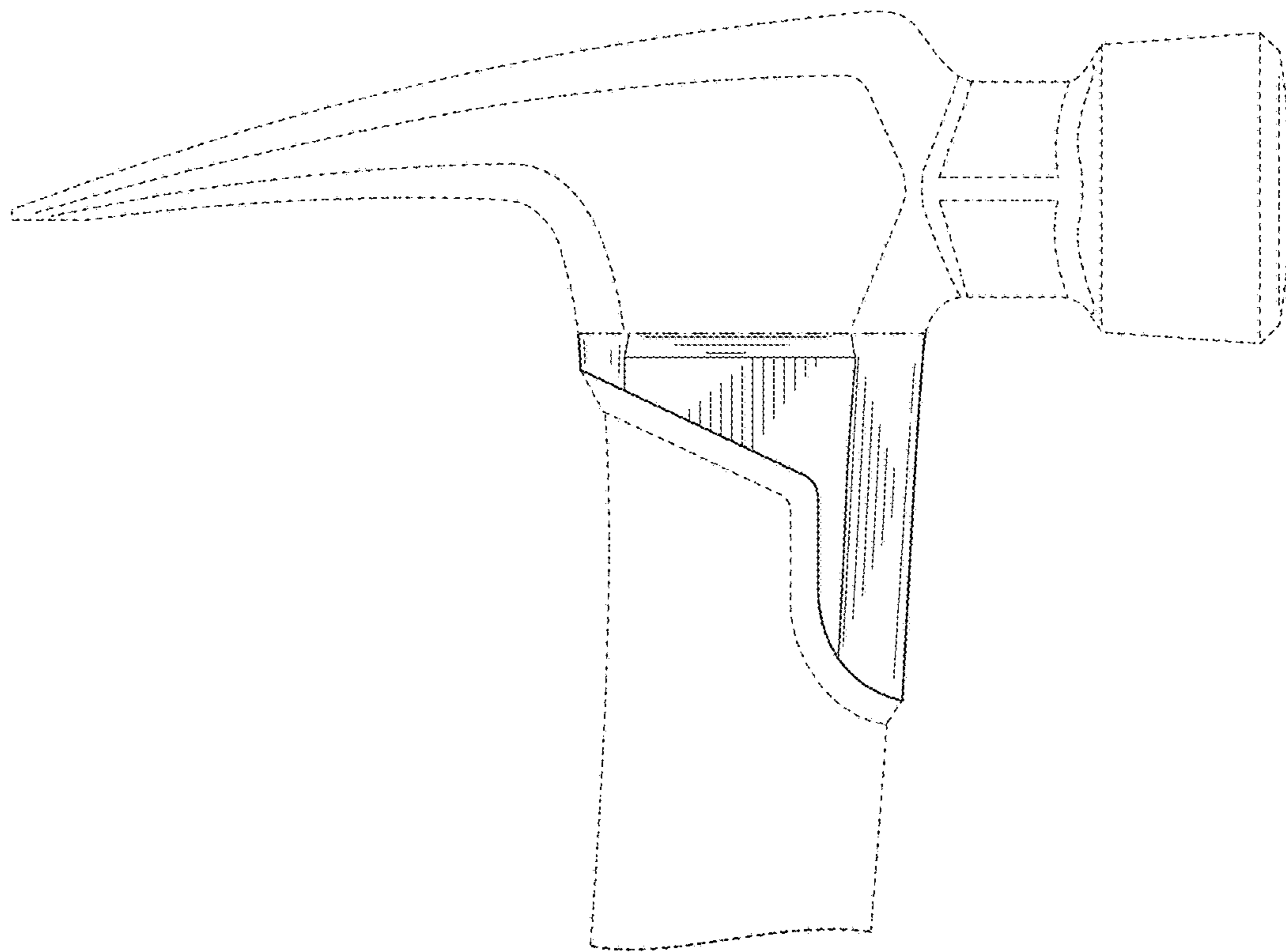
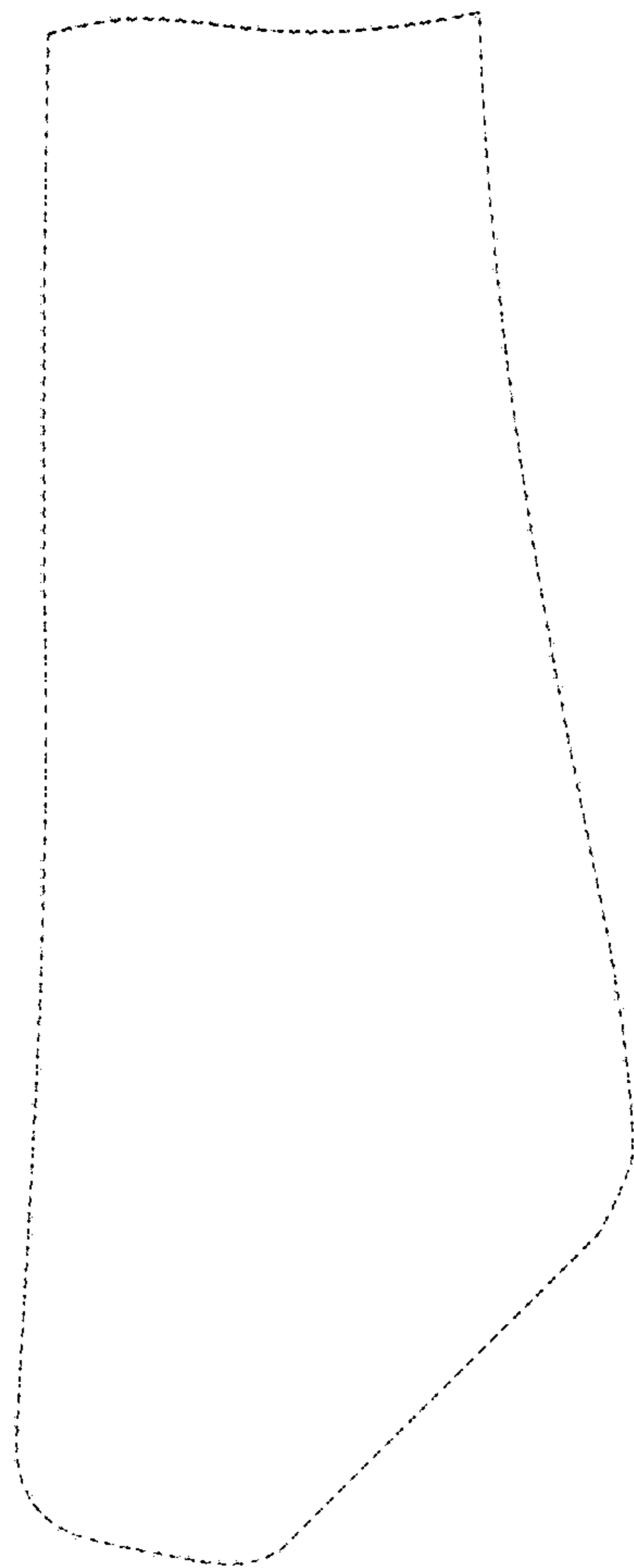


FIG. 3



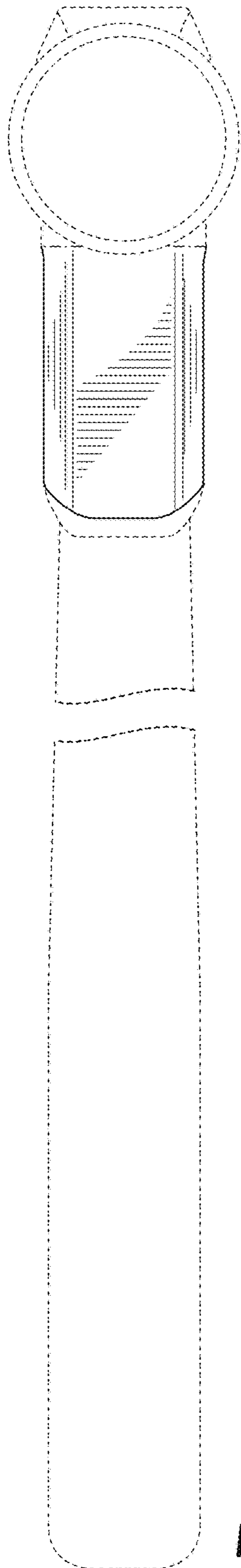


FIG. 4

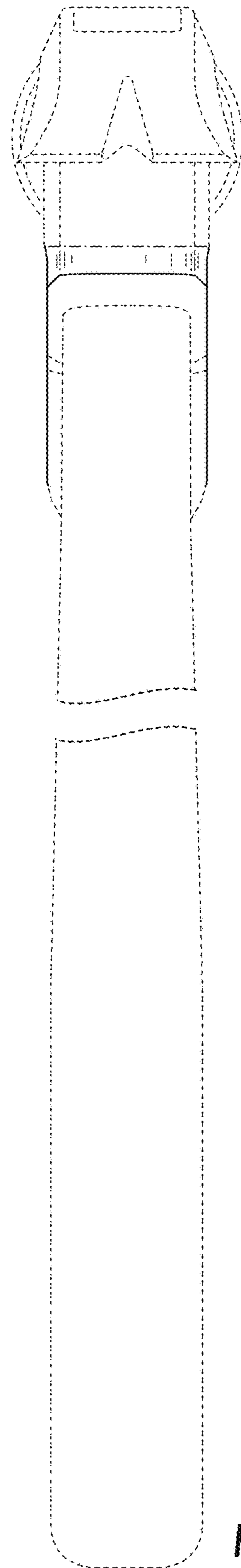


FIG. 5

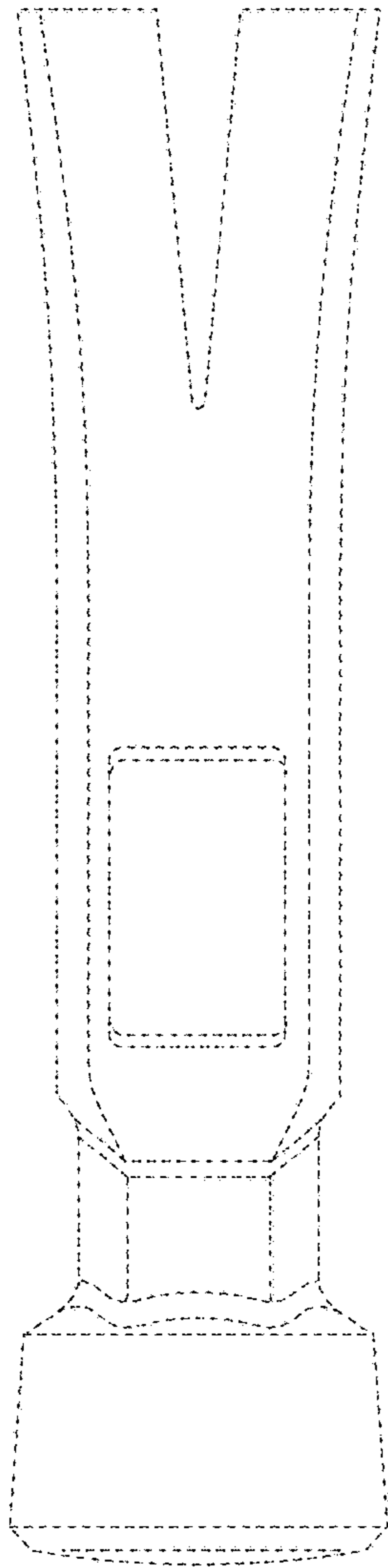


FIG. 6

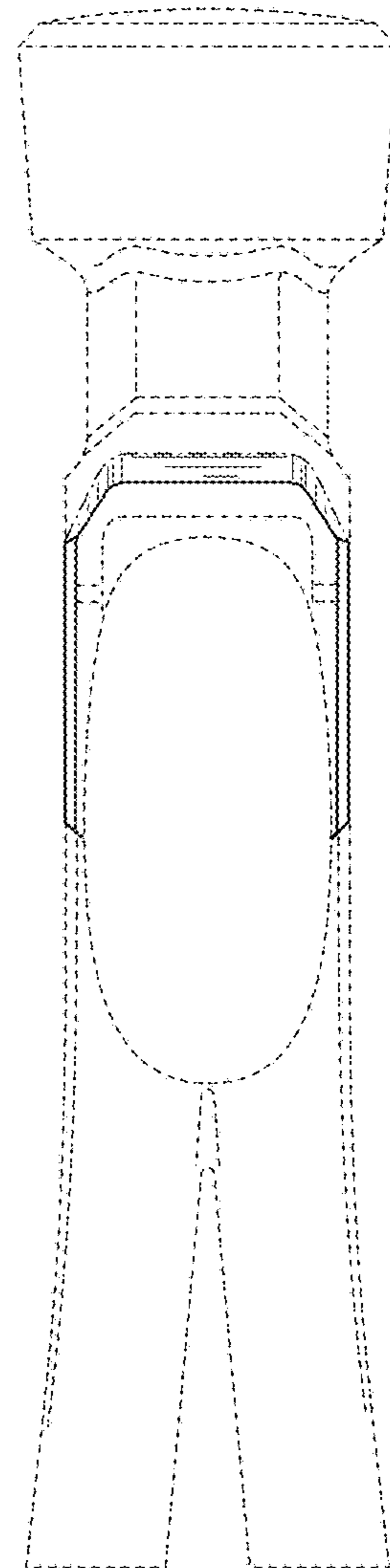


FIG. 7

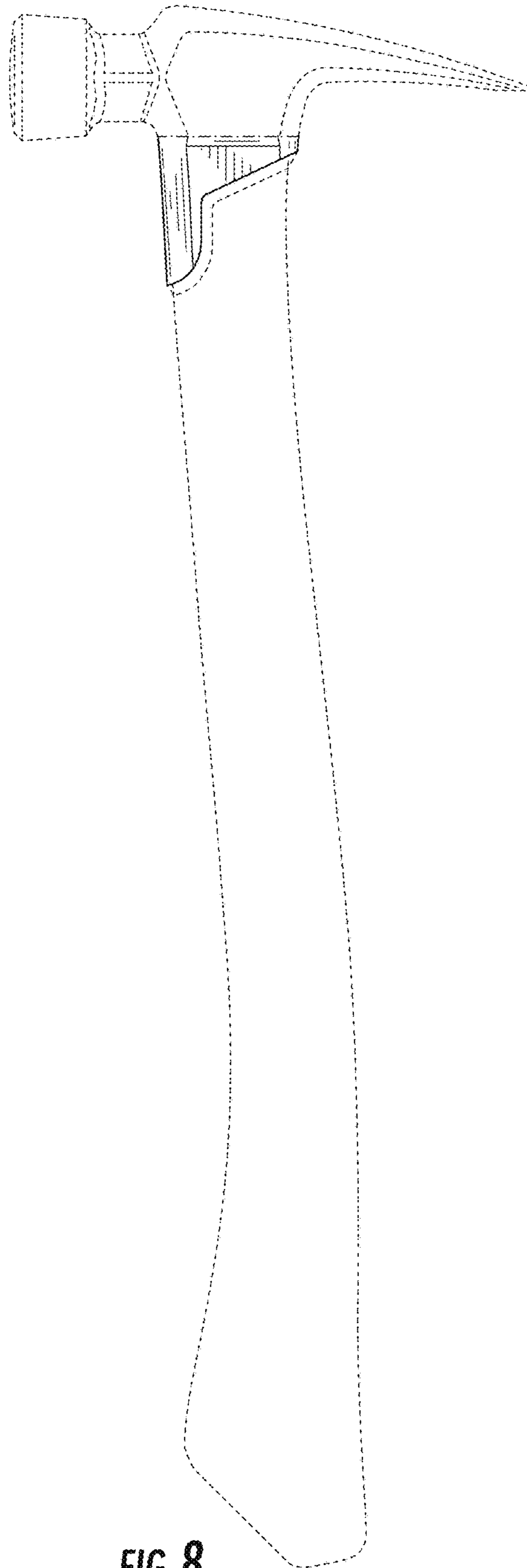


FIG. 8