



US00D804270S

(12) **United States Design Patent**
Huang

(10) **Patent No.:** **US D804,270 S**

(45) **Date of Patent:** **** Dec. 5, 2017**

(54) **SAFETY CABLE FOR TOOLS**
(71) Applicant: **CASTIP INDUSTRIAL CO., LTD.**,
New Taipei (TW)
(72) Inventor: **Heng-Fong Huang**, New Taipei (TW)
(73) Assignee: **CASTIP INDUSTRIAL CO., LTD.**,
New Taipei (TW)

(**) Term: **15 Years**

(21) Appl. No.: **29/554,008**

(22) Filed: **Feb. 5, 2016**

(51) **LOC (10) Cl.** **08-05**

(52) **U.S. Cl.**
USPC **D8/71**

(58) **Field of Classification Search**
USPC D8/16, 19, 66, 356, 383, 357, 358, 359,
D8/349; D25/134, 43, 39, 38.1, 48.3;
D29/124, 100, 101.1
CPC A44C 5/2042; A44C 5/14; A62B 1/04;
A62B 35/0087; A62B 35/0037; A63B
29/02; B64D 9/003
See application file for complete search history.

(56) **References Cited**

U.S. PATENT DOCUMENTS

D786,049 S * 5/2017 Austin D8/356
D790,327 S * 6/2017 Renforth D8/356

2008/0005876 A1* 1/2008 Christianson F16B 45/02
24/600.1
2014/0245576 A1* 9/2014 Perner F16B 45/02
24/600.1
2016/0281766 A1* 9/2016 Moine A62B 35/0037

OTHER PUBLICATIONS

Fall off prevention device—posted by ip australia.com by Castip Industrial found on Jul. 21, 2017 posted Nov. 2, 2016 on <http://www.ipaustralia.com.au/applicant/castip-industrial-co-ltd/designs/201610685/>.*

* cited by examiner

Primary Examiner — Robert M Spear
Assistant Examiner — Eliza Bennett-Hattan
(74) *Attorney, Agent, or Firm* — Lin & Associates
Intellectual Property, Inc.

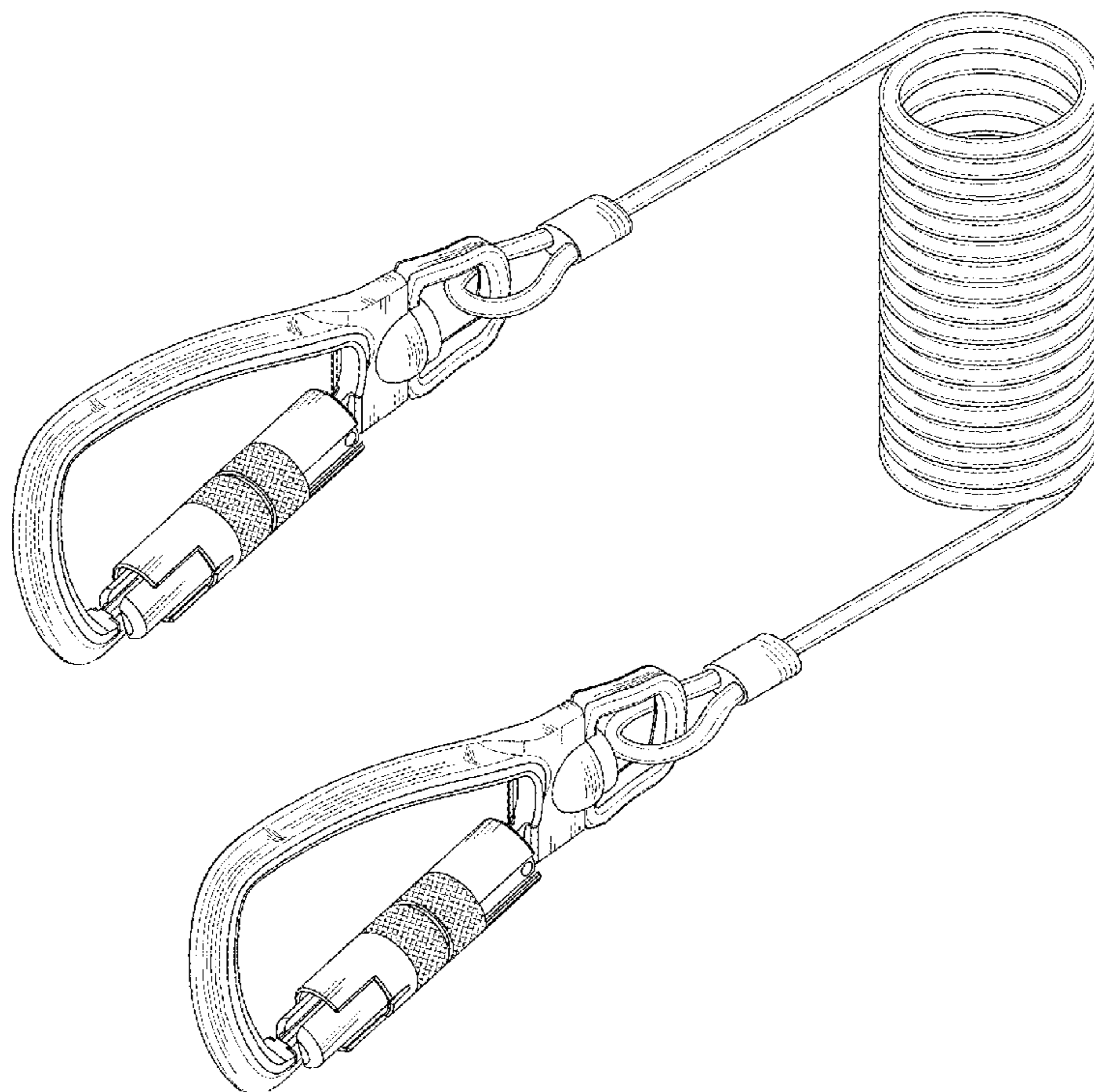
(57) **CLAIM**

The ornamental design for a safety cable for tools, as shown and described.

DESCRIPTION

FIG. 1 is a perspective view of a safety cable for tools showing my new design;
FIG. 2 is a front elevational view thereof;
FIG. 3 is a rear elevational view thereof;
FIG. 4 is a left elevational view thereof;
FIG. 5 is a right elevational view thereof;
FIG. 6 is a top view thereof; and,
FIG. 7 is a bottom view thereof.

1 Claim, 7 Drawing Sheets



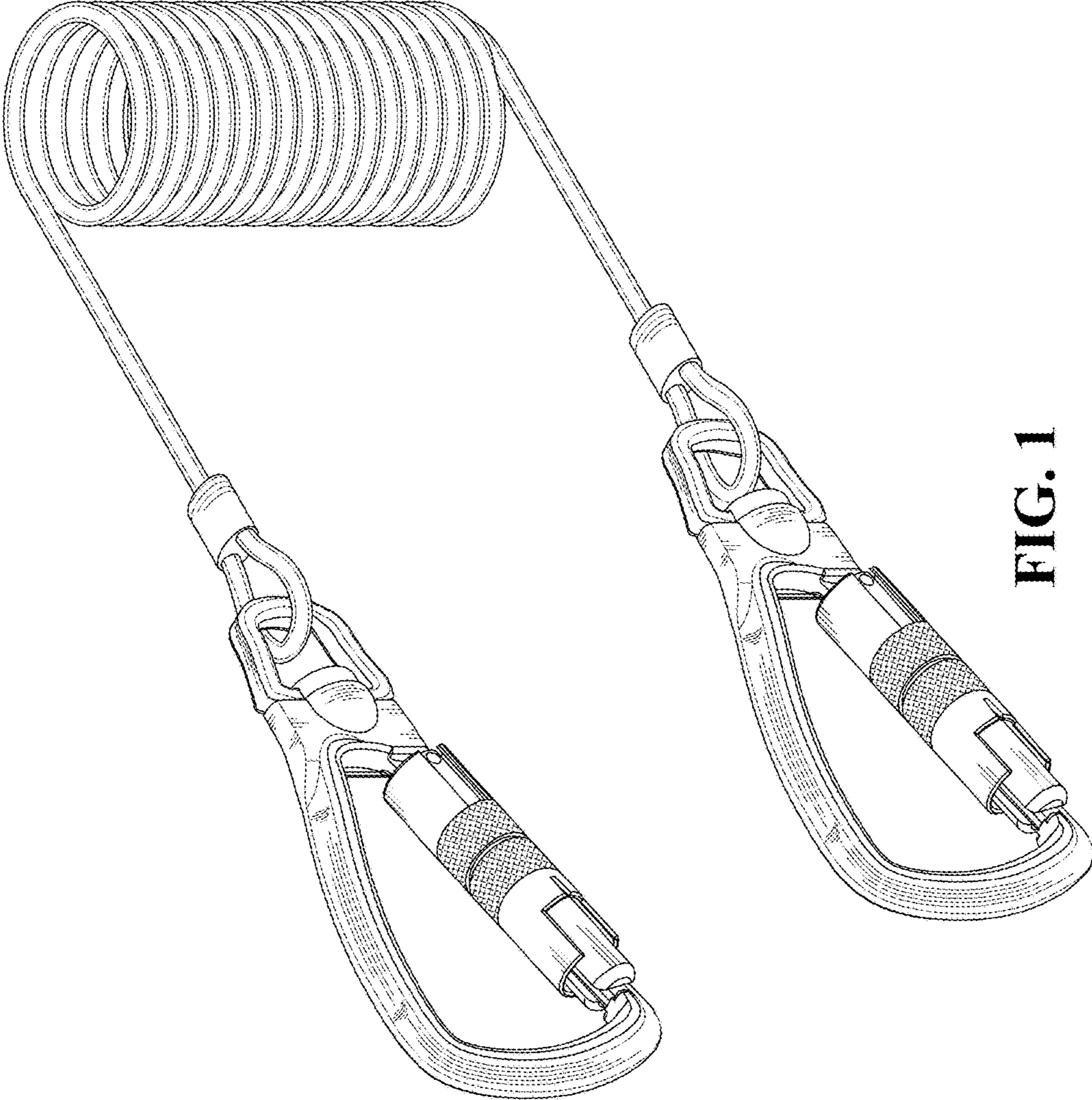


FIG. 1

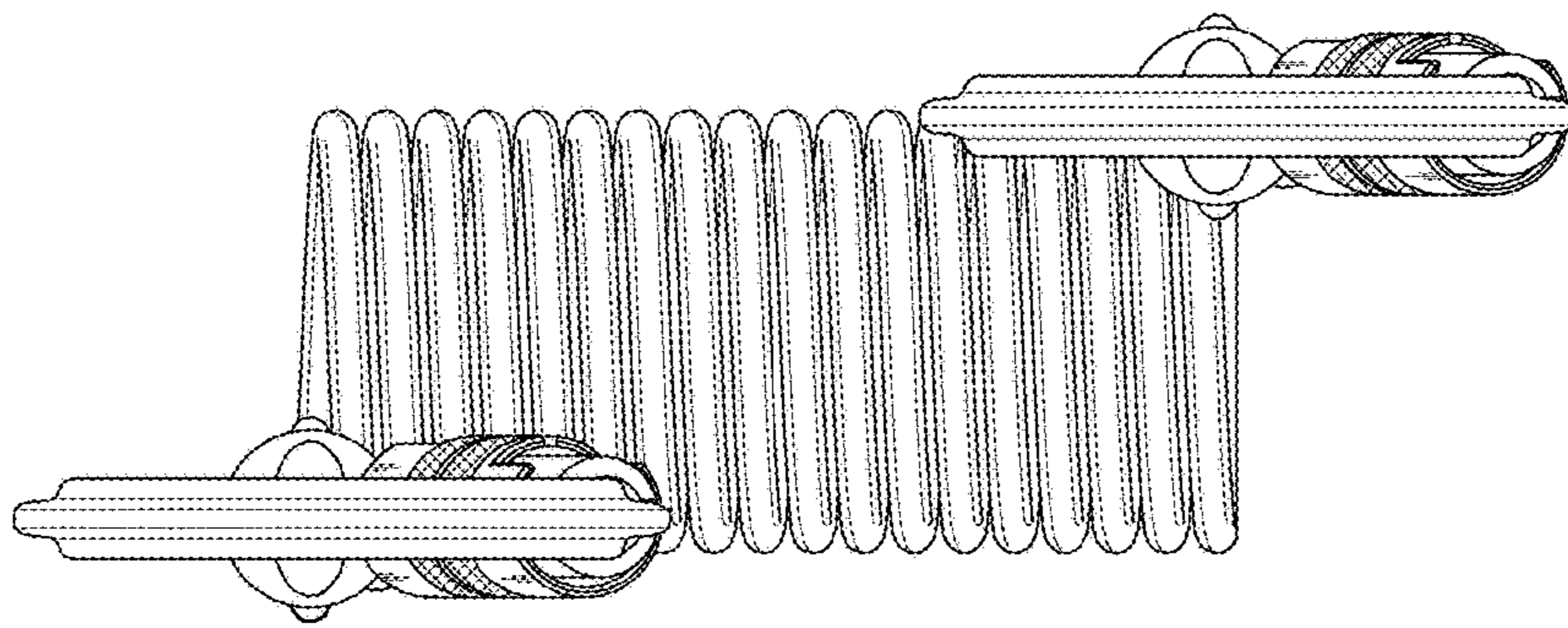


FIG. 2

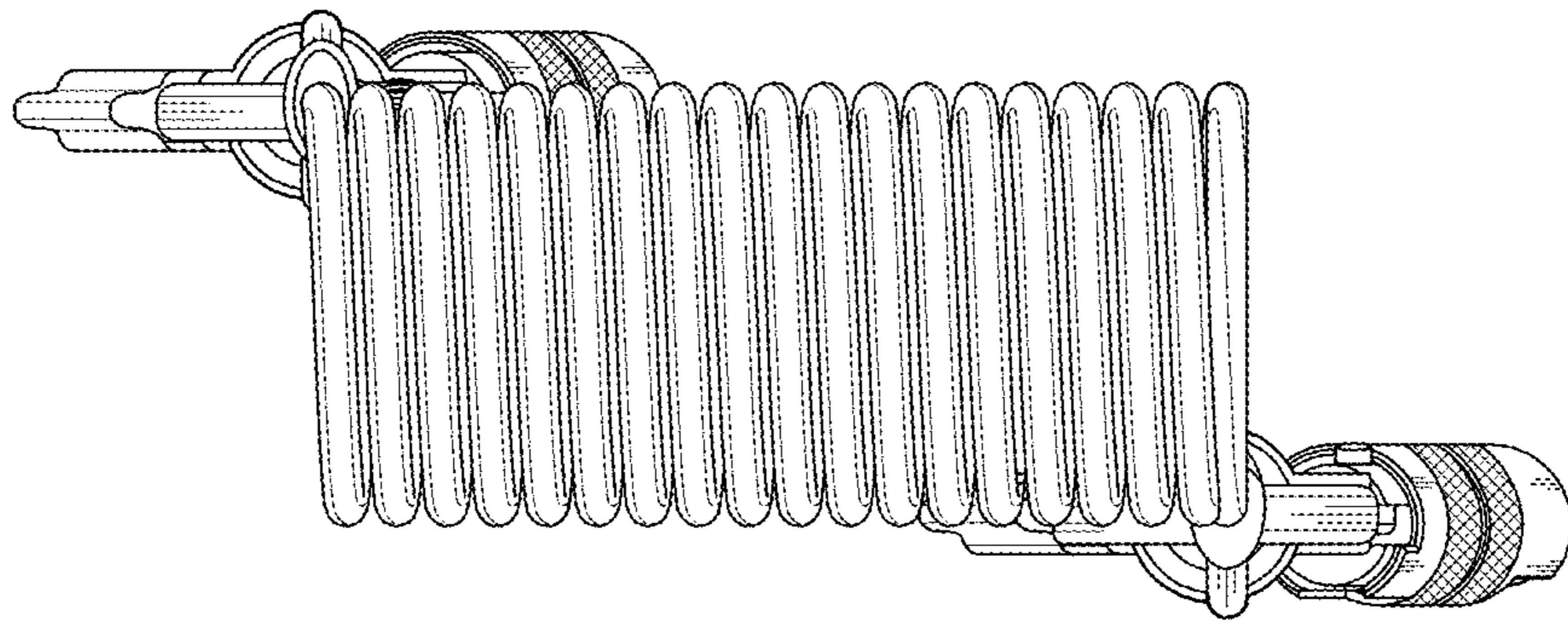


FIG. 3

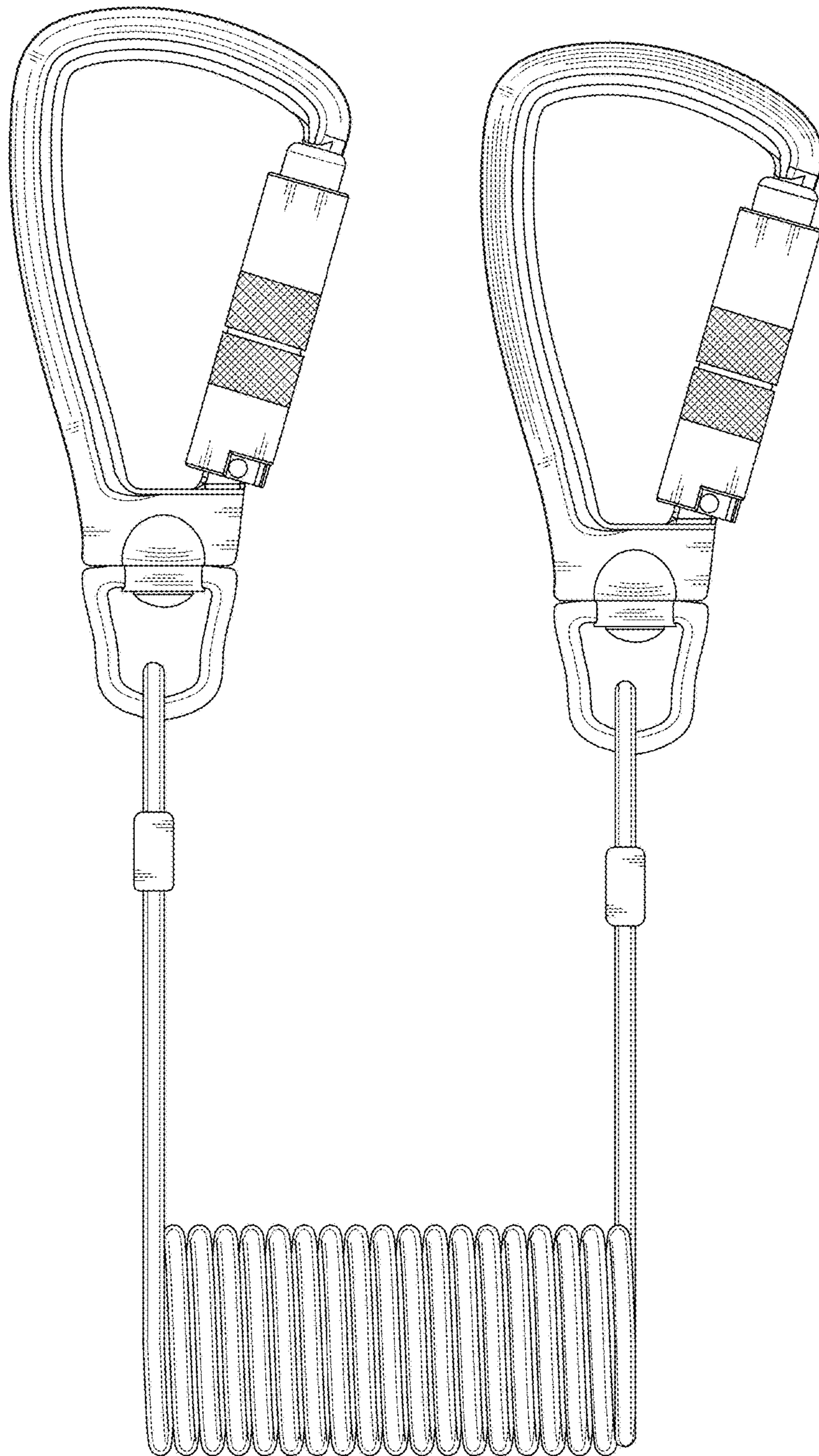


FIG.4

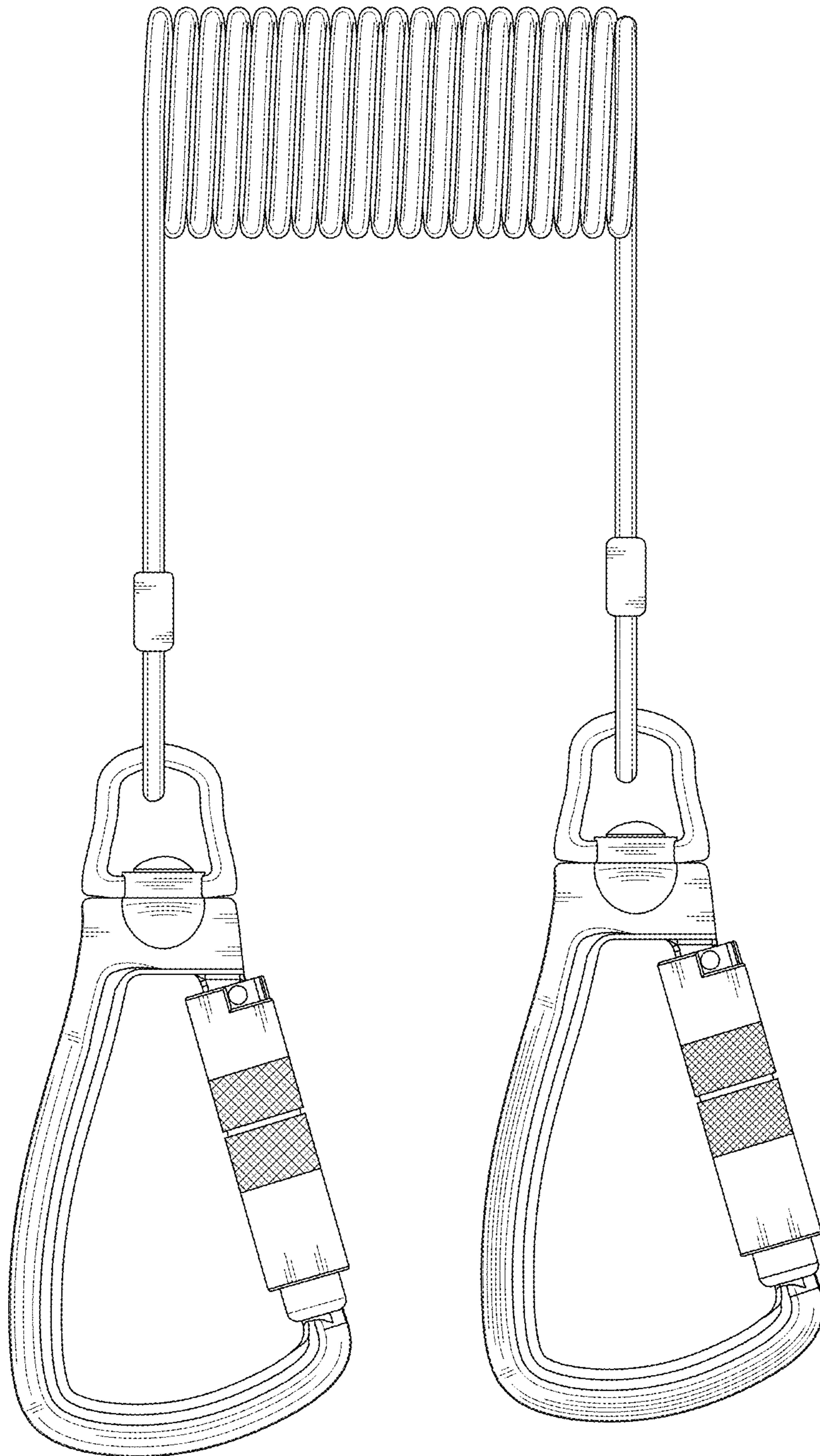


FIG.5

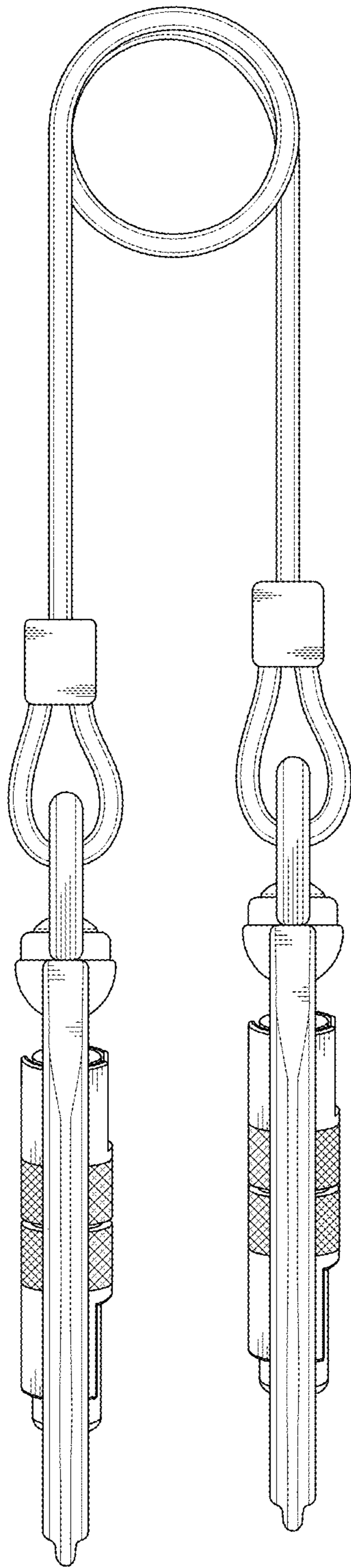


FIG. 6

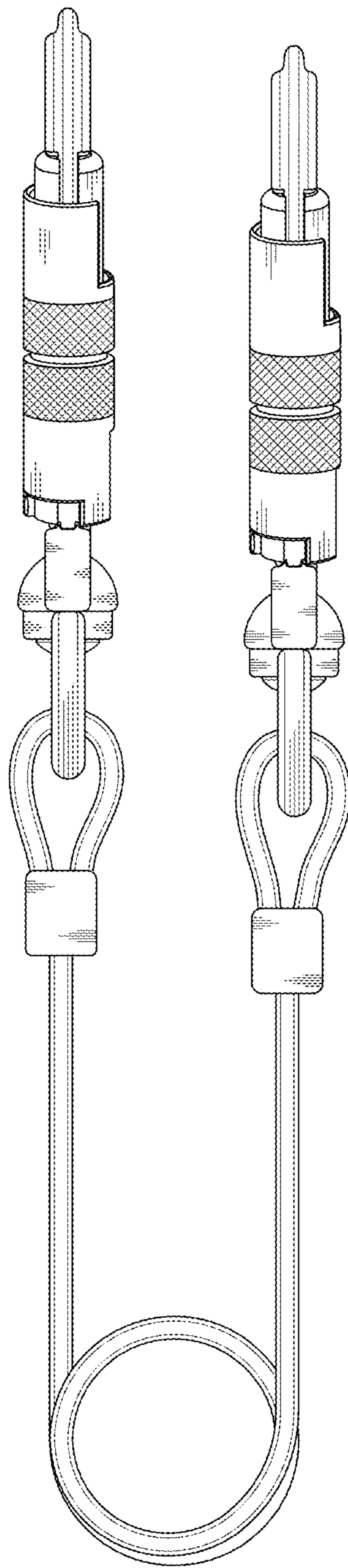


FIG. 7