



US00D804269S

(12) **United States Design Patent**
Wright, Jr. et al.

(10) **Patent No.:** **US D804,269 S**
(45) **Date of Patent:** **** Dec. 5, 2017**

(54) **MATERIAL HANDLING TOOL**

(71) Applicant: **IMS Company**, Chagrin Falls, OH (US)

(72) Inventors: **Paul E. Wright, Jr.**, Geneva, OH (US);
Paul Janson, Mantua, OH (US);
William F. Kramer, Parma, OH (US);
Jeffrey J. Sawicki, Hinckley, OH (US)

(73) Assignee: **IMS Company**, Chagrin Falls, OH (US)

(**) Term: **15 Years**

(21) Appl. No.: **29/540,615**

(22) Filed: **Sep. 25, 2015**

(51) **LOC (10) Cl.** **08-05**

(52) **U.S. Cl.**
USPC **D8/71**

(58) **Field of Classification Search**
USPC D8/14, 51, 71, 72, 73, 74, 107; 294/137,
294/194
CPC B25B 5/003; B25B 5/101; B25B 5/109;
B25B 9/00; B23K 37/0533
See application file for complete search history.

(56) **References Cited**

U.S. PATENT DOCUMENTS

2,366,350 A * 1/1945 Ostling B25B 5/003
269/249
4,398,706 A * 8/1983 Kaulfuss B25B 5/103
269/156

D302,380 S * 7/1989 Garvis D8/72
5,513,838 A * 5/1996 Van Rossum B25B 5/003
269/203
6,349,869 B1 * 2/2002 McBee B23K 37/0435
228/49.3
D760,052 S * 6/2016 Blood D8/71

OTHER PUBLICATIONS

IMS Company, 44th Edition Catalog, 2015, p. 644, Chagrin Falls, Ohio, USA.

* cited by examiner

Primary Examiner — Phillip S Hyder

(74) *Attorney, Agent, or Firm* — Tarolli, Sundheim, Covell & Tummino LLP

(57) **CLAIM**

We claim the ornamental design for a material handling tool, as shown and described.

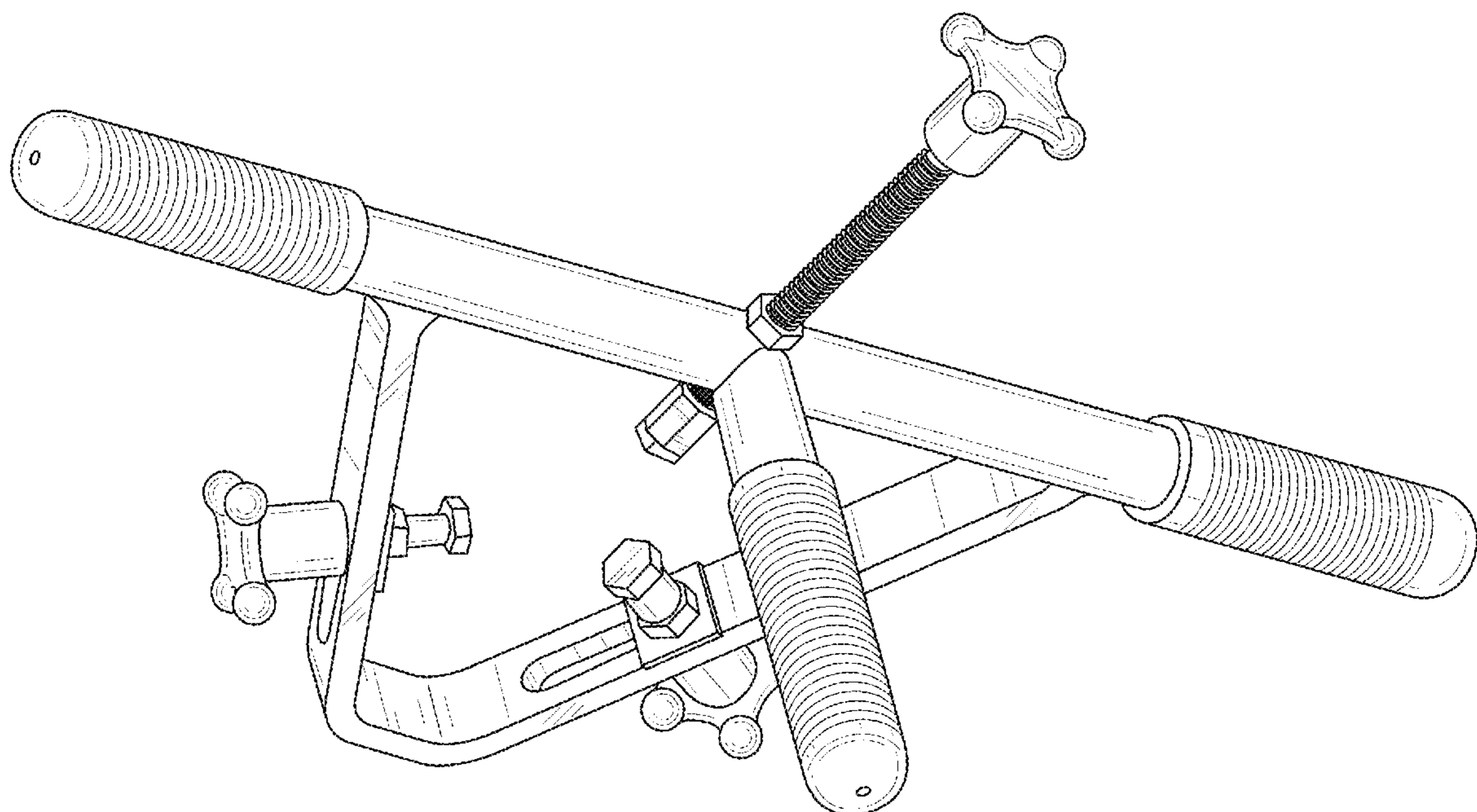
DESCRIPTION

FIG. 1 is a top perspective view of a material handling tool showing our new design;
FIG. 2 is a front view thereof;
FIG. 3 is a rear view thereof;
FIG. 4 is a right side view thereof;
FIG. 5 is a left side view thereof;
FIG. 6 is a top view thereof; and,
FIG. 7 is a bottom view thereof.

The ornamental design which is claimed is shown in solid lines in the drawings.

Any broken lines in the drawings are for illustrative purposes only and form no part of the claimed design.

1 Claim, 7 Drawing Sheets



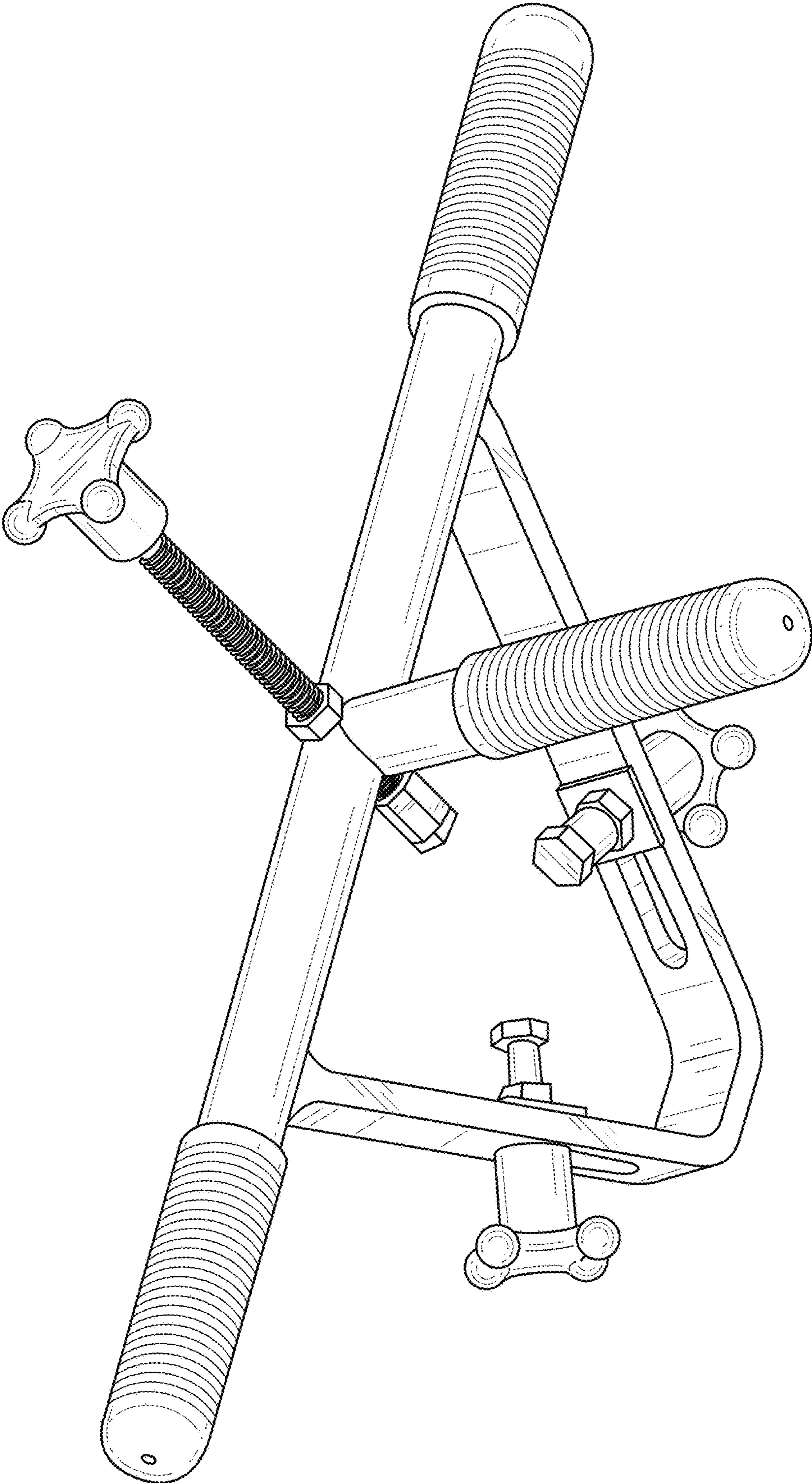


FIG. 1

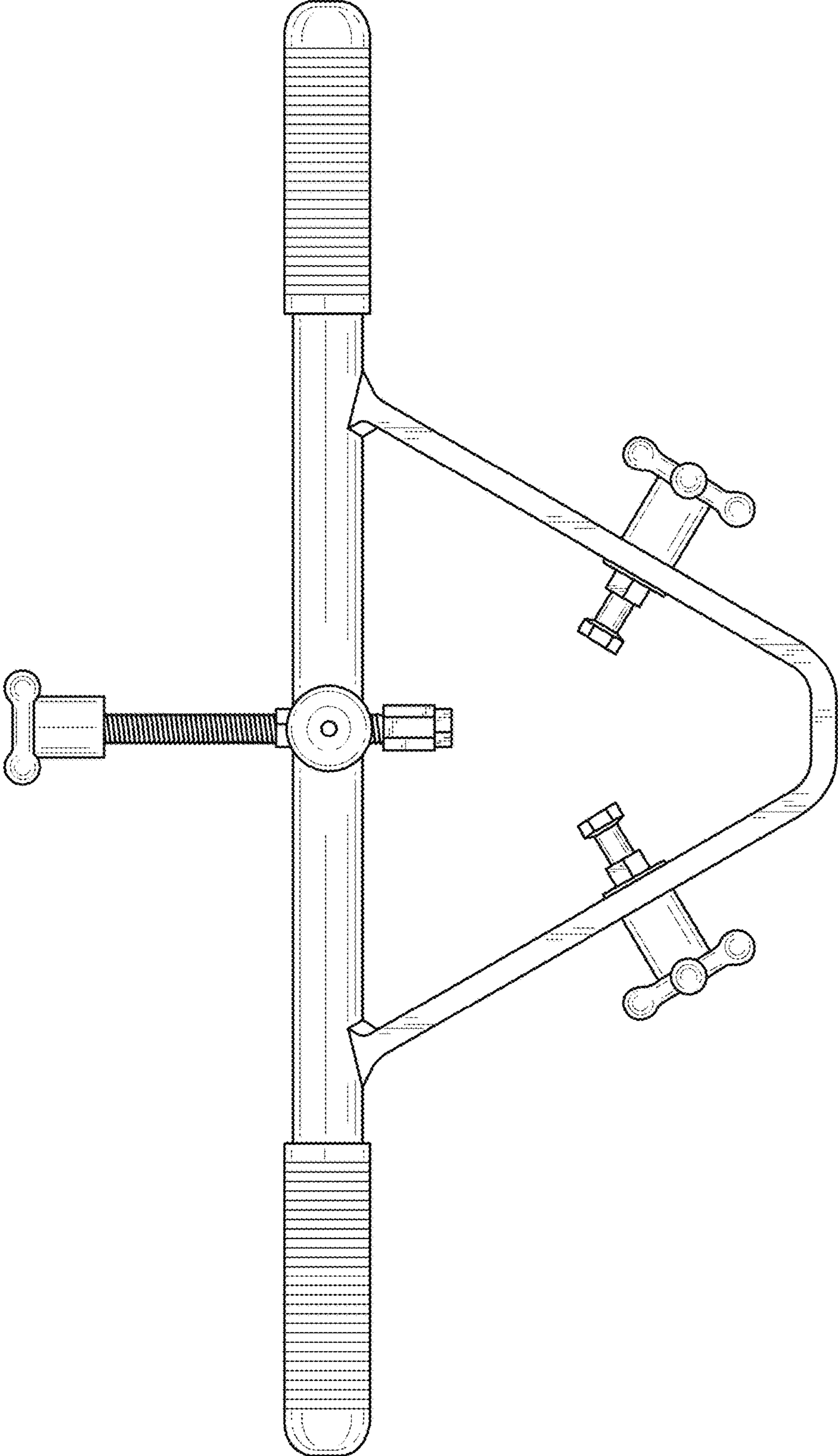


FIG. 2

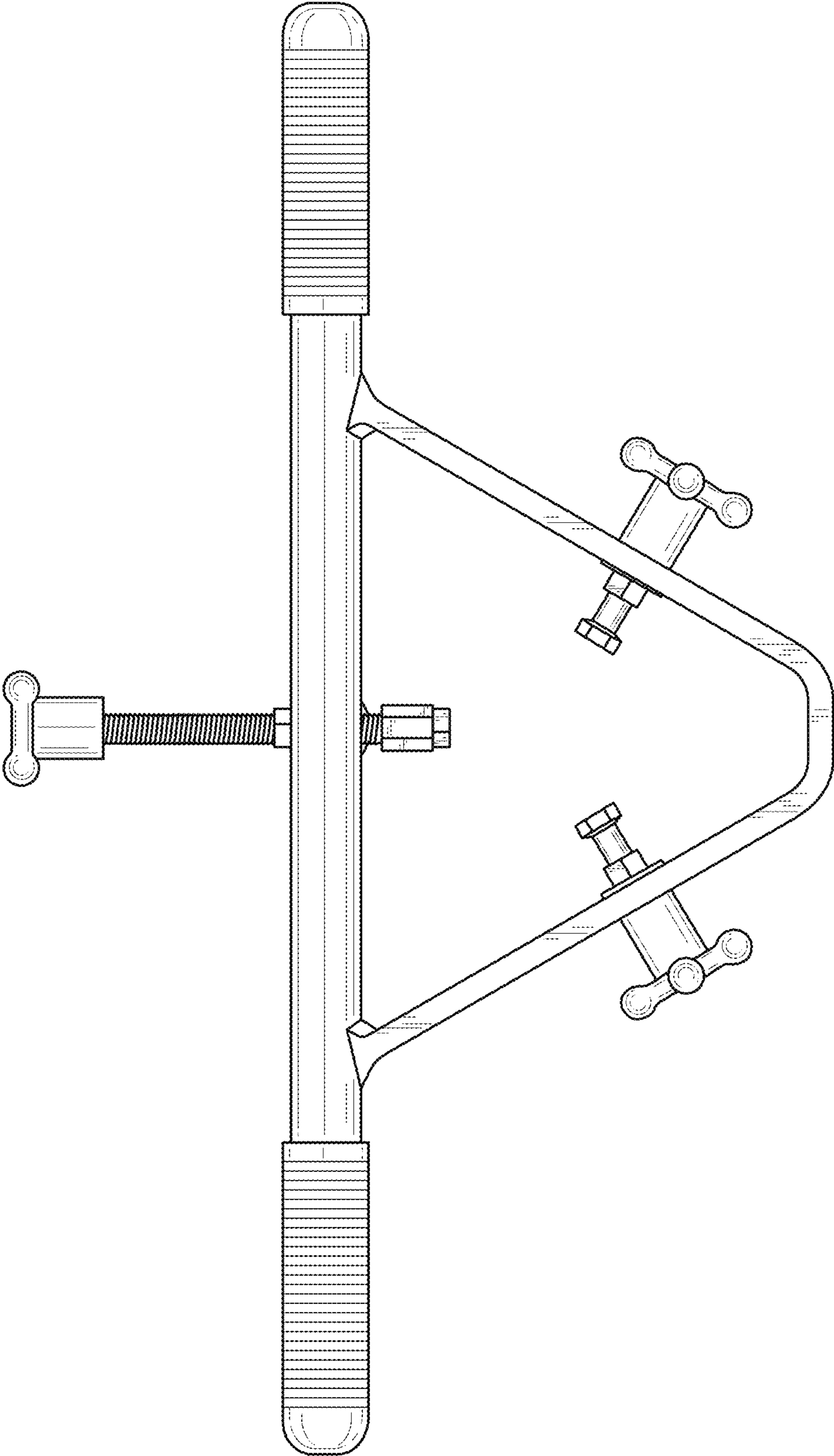


FIG. 3

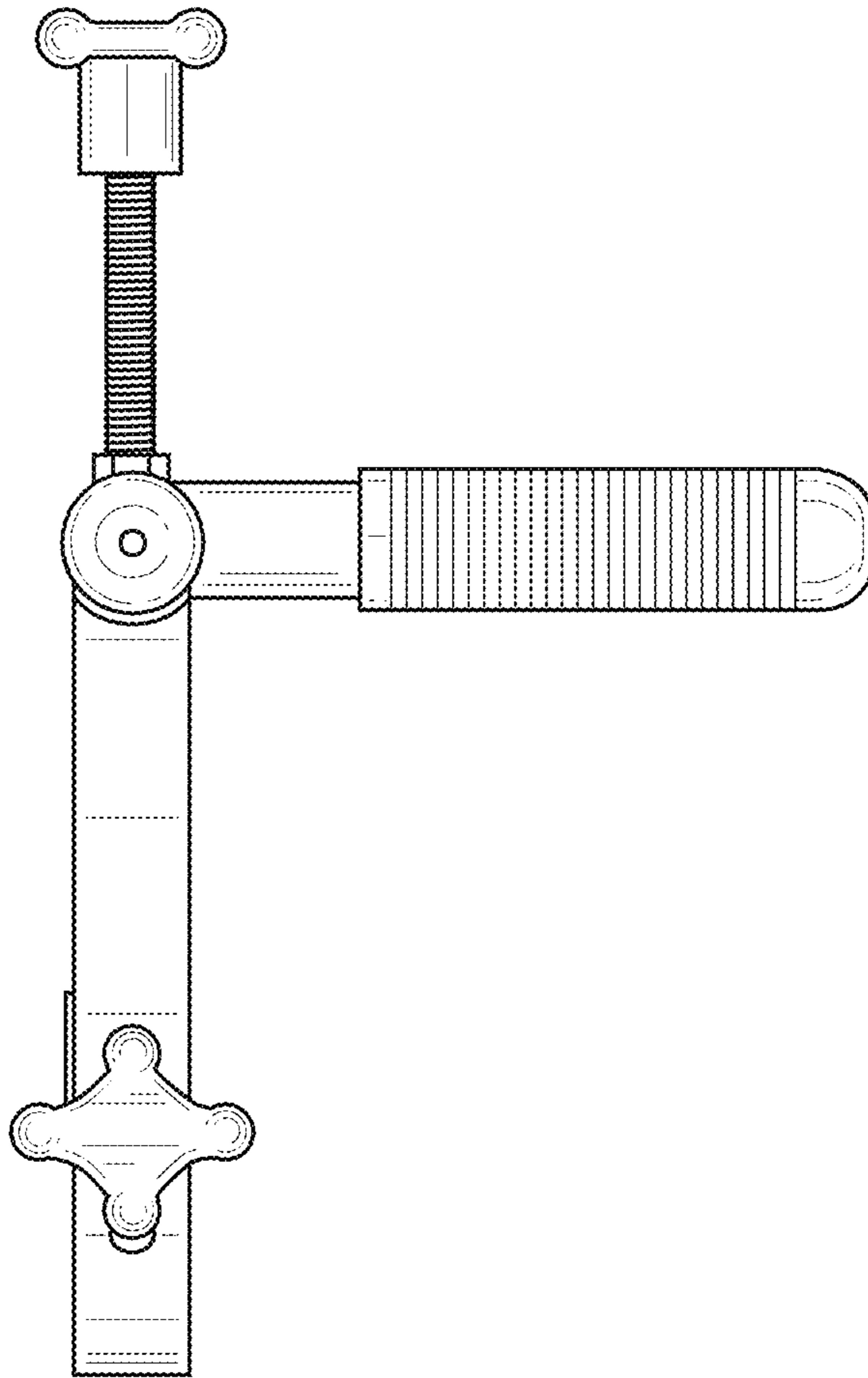


FIG. 4

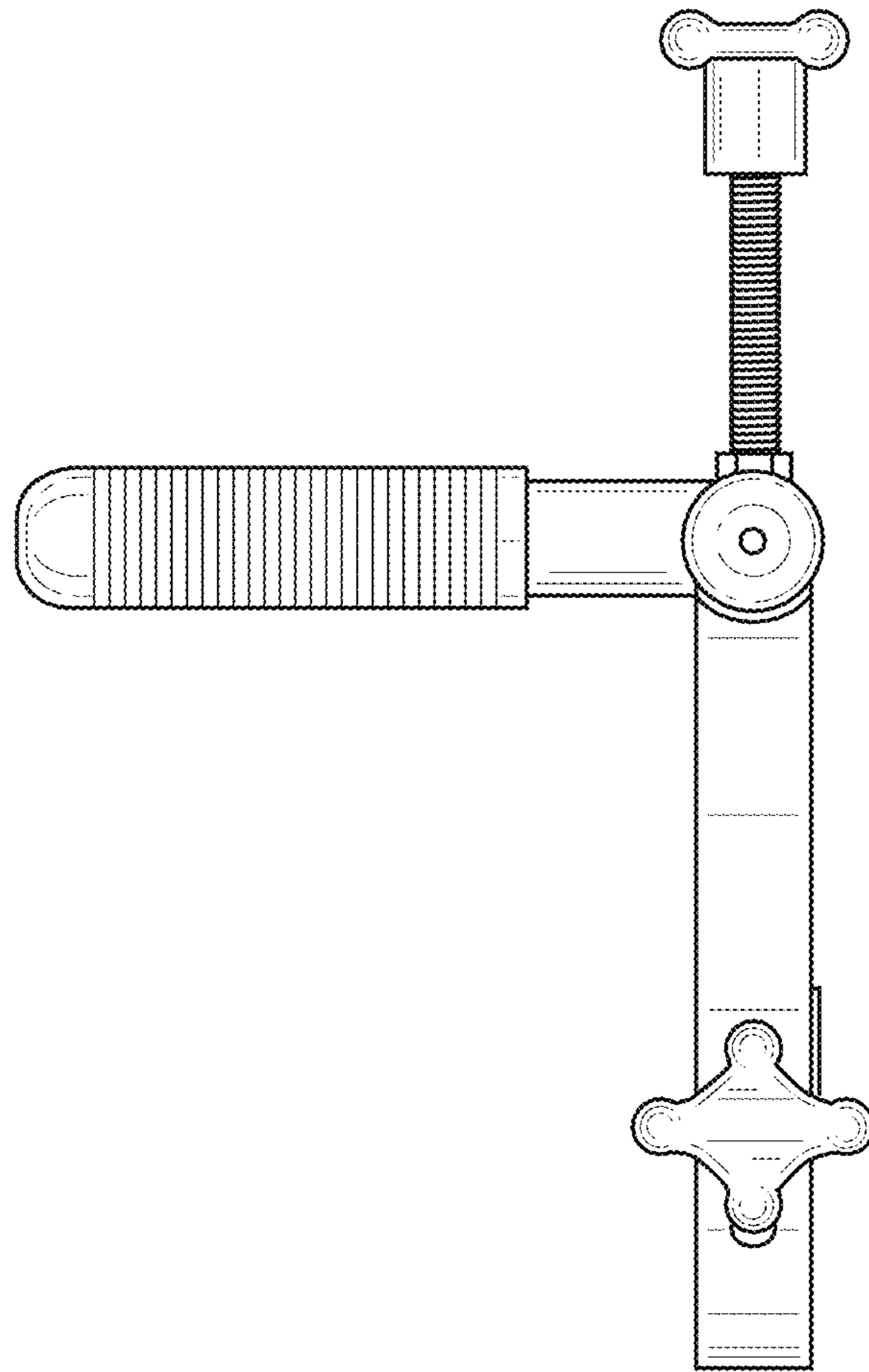


FIG. 5

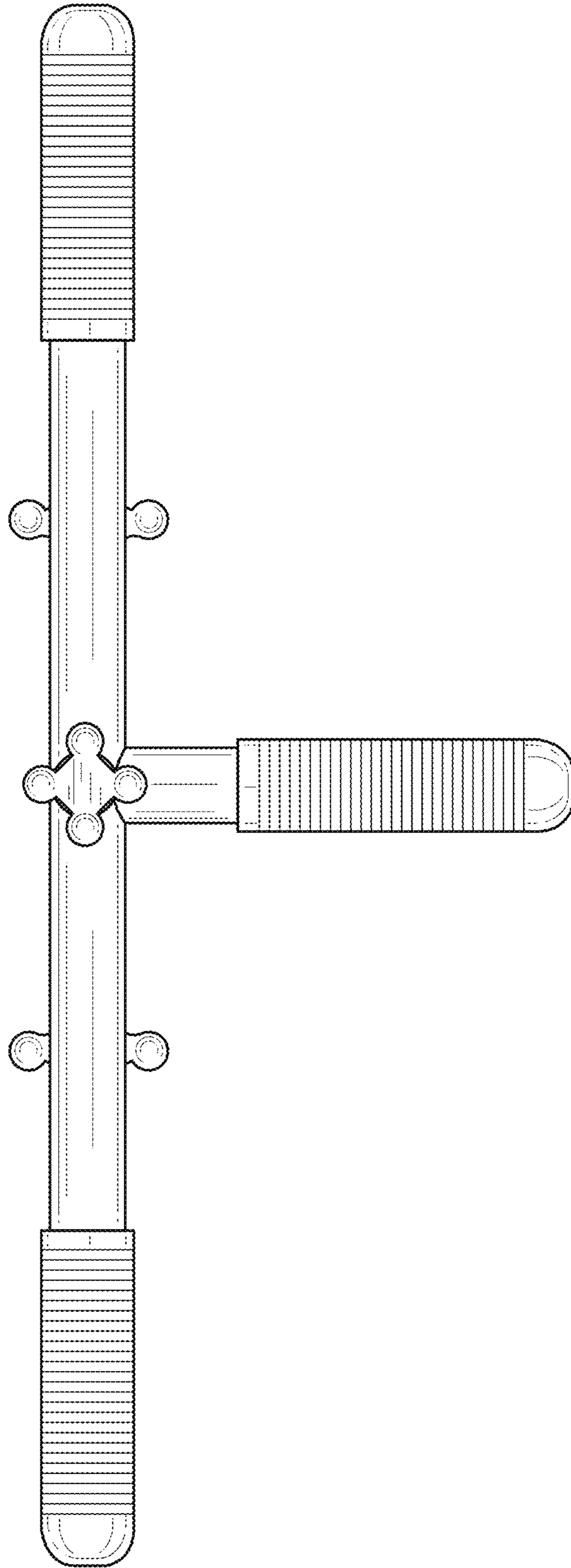


FIG. 6

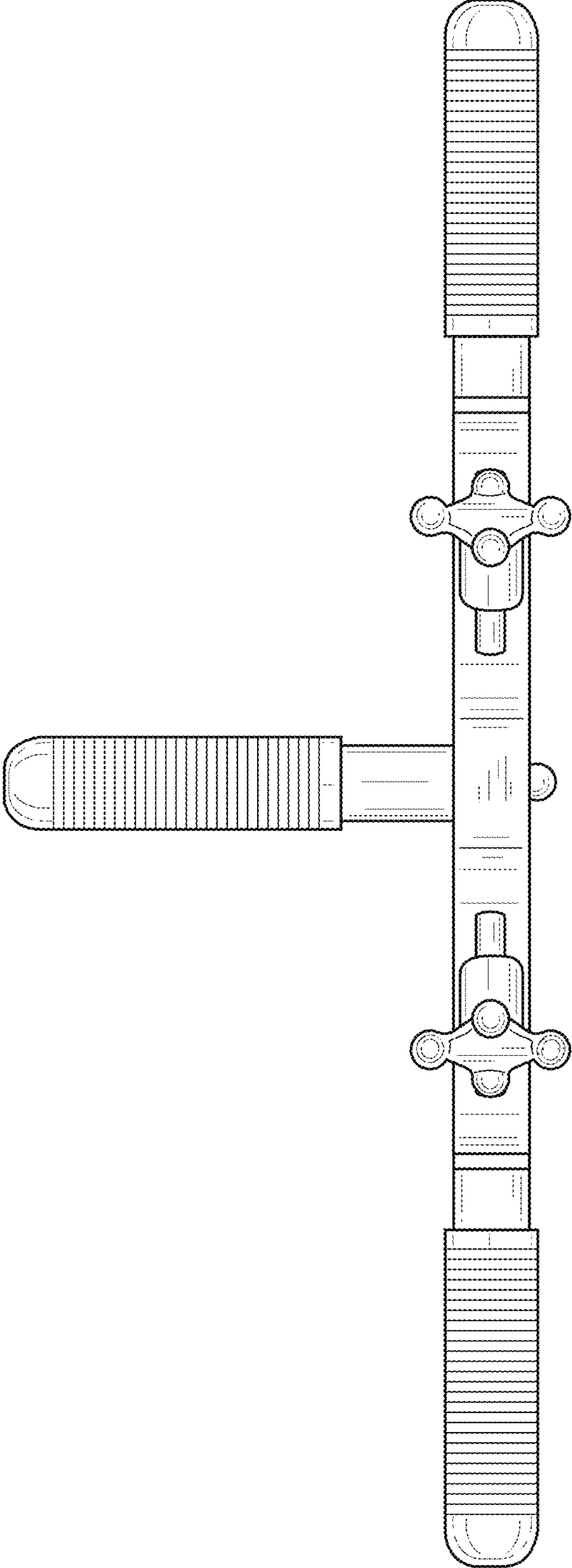


FIG. 7