



US00D804268S

(12) **United States Design Patent**
Scott et al.

(10) **Patent No.:** **US D804,268 S**
(45) **Date of Patent:** **** Dec. 5, 2017**

(54) **CONCRETE FORMWORK BRACE**
(71) Applicant: **Probrace Systems Limited**, Inglewood (NZ)
(72) Inventors: **David Kim Scott**, Feilding (NZ); **Shanon Matthew Martin**, Palmerston North (NZ)
(73) Assignee: **Probrace Systems Limited**, Inglewood (NZ)
(**) Term: **14 Years**

6,539,677 B1 * 4/2003 Lanka E04G 17/002
248/354.3
6,752,570 B2 * 6/2004 Lanka E04G 23/04
405/272
6,976,339 B1 * 12/2005 Riccio E04F 21/0015
248/354.1
7,476,053 B2 * 1/2009 Face, III E01C 19/42
404/112
8,123,595 B2 * 2/2012 Pelotte B24B 53/04
451/443
8,590,259 B2 * 11/2013 Trinko E04G 23/024
405/230
8,727,302 B2 * 5/2014 Braun E04G 17/06
249/190

(Continued)

(21) Appl. No.: **29/520,158**

Primary Examiner — Lakiya Rogers

(22) Filed: **Mar. 11, 2015**

Assistant Examiner — Harold E Blackwell, II

(30) **Foreign Application Priority Data**

(74) *Attorney, Agent, or Firm* — Thomas Coester
Intellectual Property

Sep. 12, 2014 (NZ) 419310

(51) **LOC (10) Cl.** **08-05**

(52) **U.S. Cl.**
USPC **D8/71**

(58) **Field of Classification Search**
USPC 52/127.2, 146, 149, 36.4, 150, 151, 152;
D25/68, 199; 248/351, 354.3; D8/71
CPC E04G 11/02; E04G 11/06; E04G 21/26;
E04G 21/24
See application file for complete search history.

(57) **CLAIM**

The ornamental design for a concrete formwork brace, as shown and described.

(56) **References Cited**

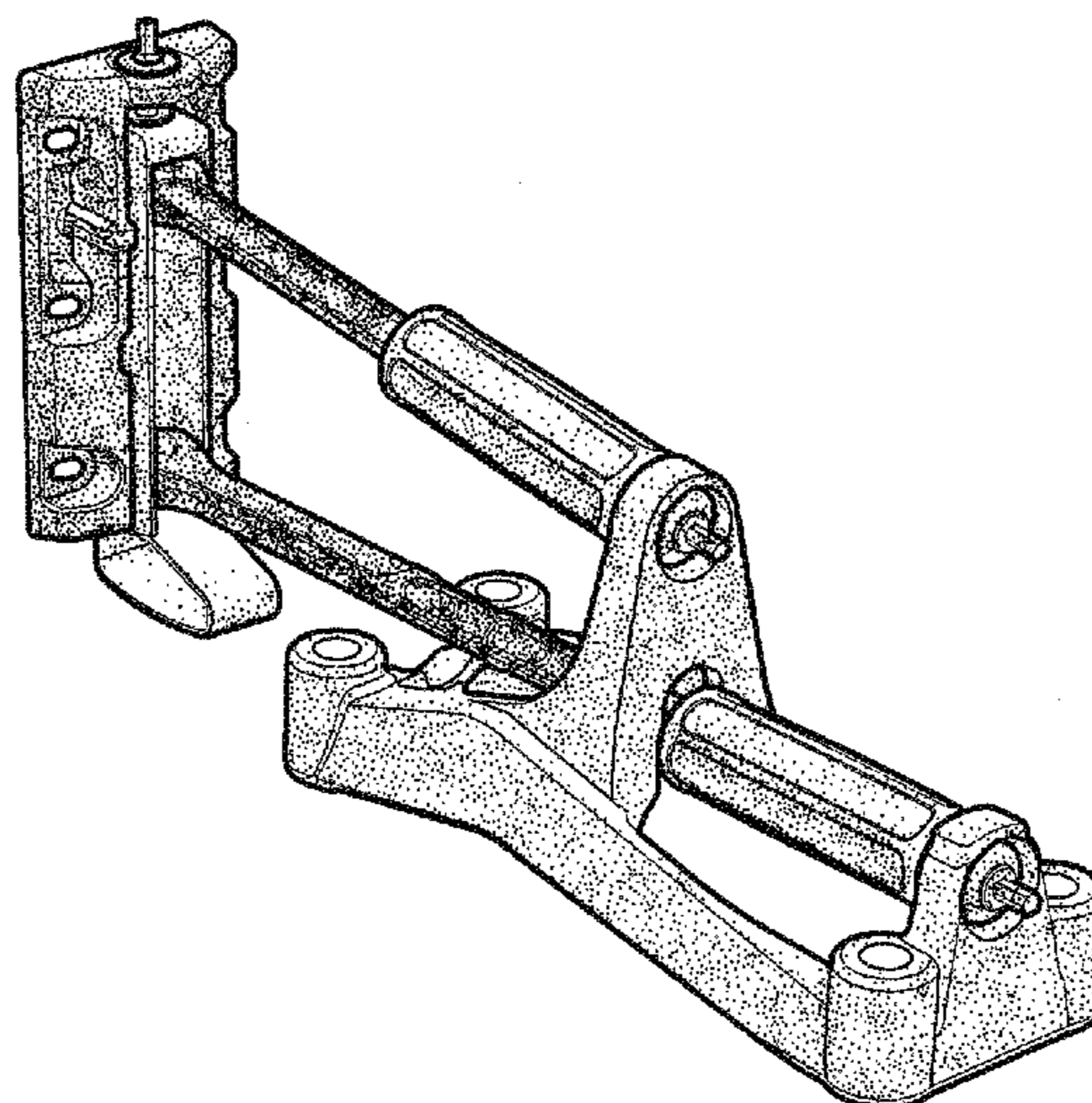
U.S. PATENT DOCUMENTS

4,736,927 A * 4/1988 Clancy B25B 1/18
254/93 H
D296,981 S * 8/1988 Clark, Jr. D8/74
D349,226 S * 8/1994 Ruyts 269/246
5,533,831 A * 7/1996 Allen E01C 19/006
404/114
D385,469 S * 10/1997 Borgstrom D8/72
6,247,273 B1 * 6/2001 Nickel E04G 17/14
182/230

DESCRIPTION

FIG. 1 is a perspective view showing our design of a concrete formwork brace;
FIG. 2 is a top view of the concrete formwork brace of FIG. 1.
FIG. 3 is a front view of the concrete formwork brace of FIG. 1.
FIG. 4 is a right side view of the concrete formwork brace of FIG. 1.
FIG. 5 is a rear view of the concrete formwork brace of FIG. 1.
FIG. 6 is a left side view of the concrete formwork brace of FIG. 1; and,
FIG. 7 is a bottom view of the concrete formwork brace of FIG. 1.

1 Claim, 7 Drawing Sheets



(56)

References Cited

U.S. PATENT DOCUMENTS

9,677,290	B2 *	6/2017	Berger	E04G 17/007
2008/0202043	A1 *	8/2008	Marshall	E04G 21/26
					52/127.2
2011/0047895	A1 *	3/2011	Finch	E04G 21/26
					52/126.1

* cited by examiner

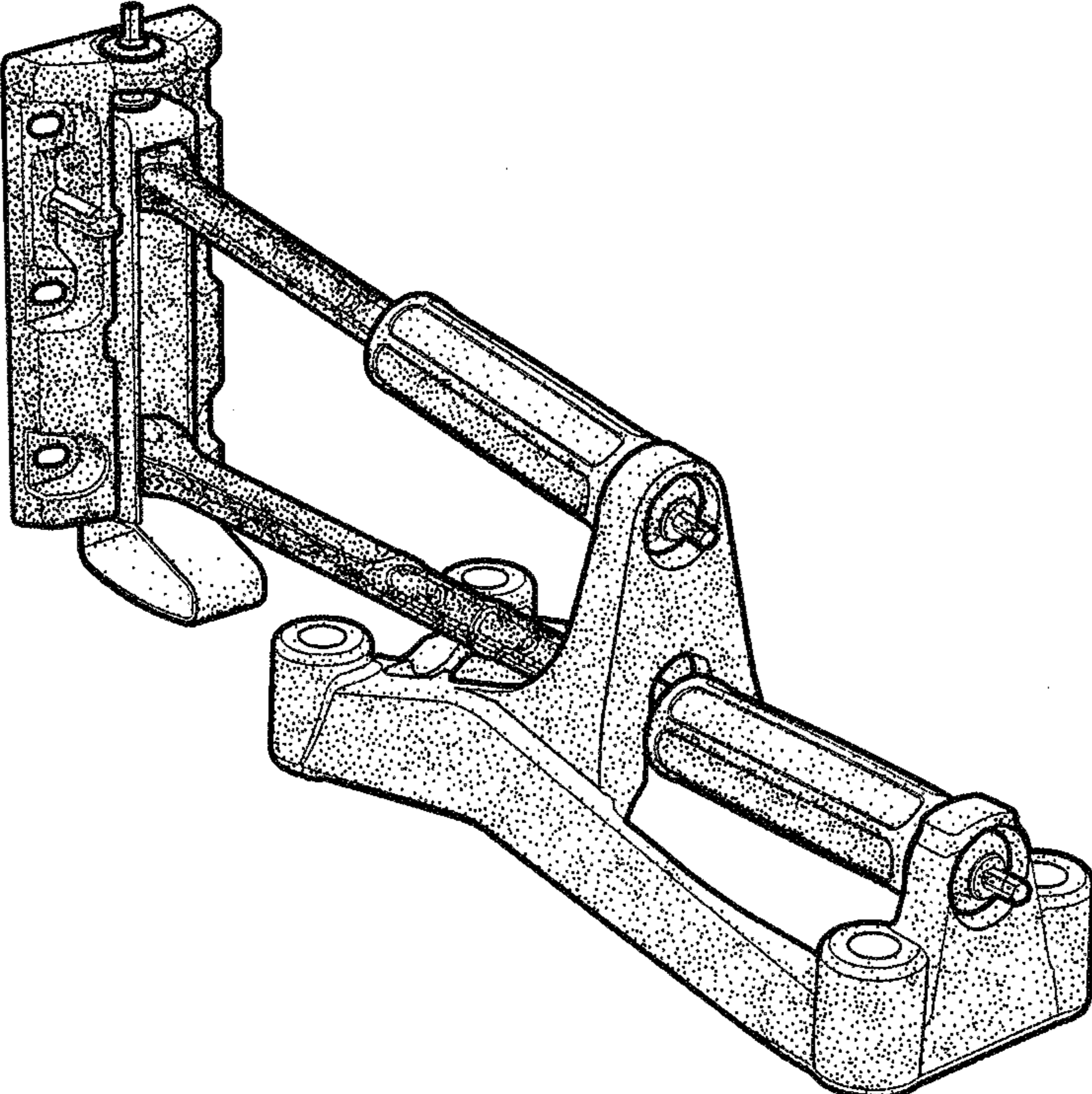


FIG. 1

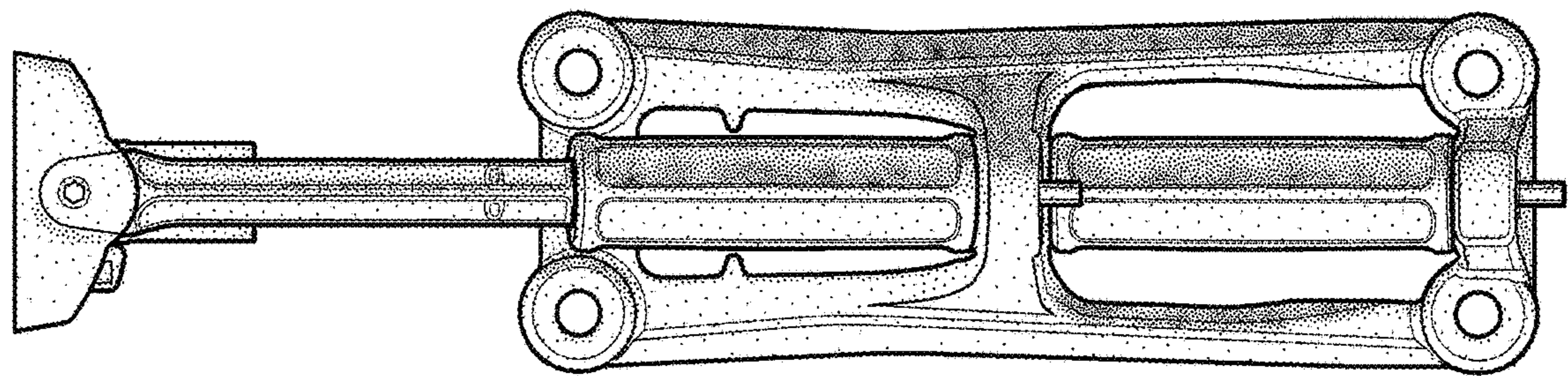


FIG. 2

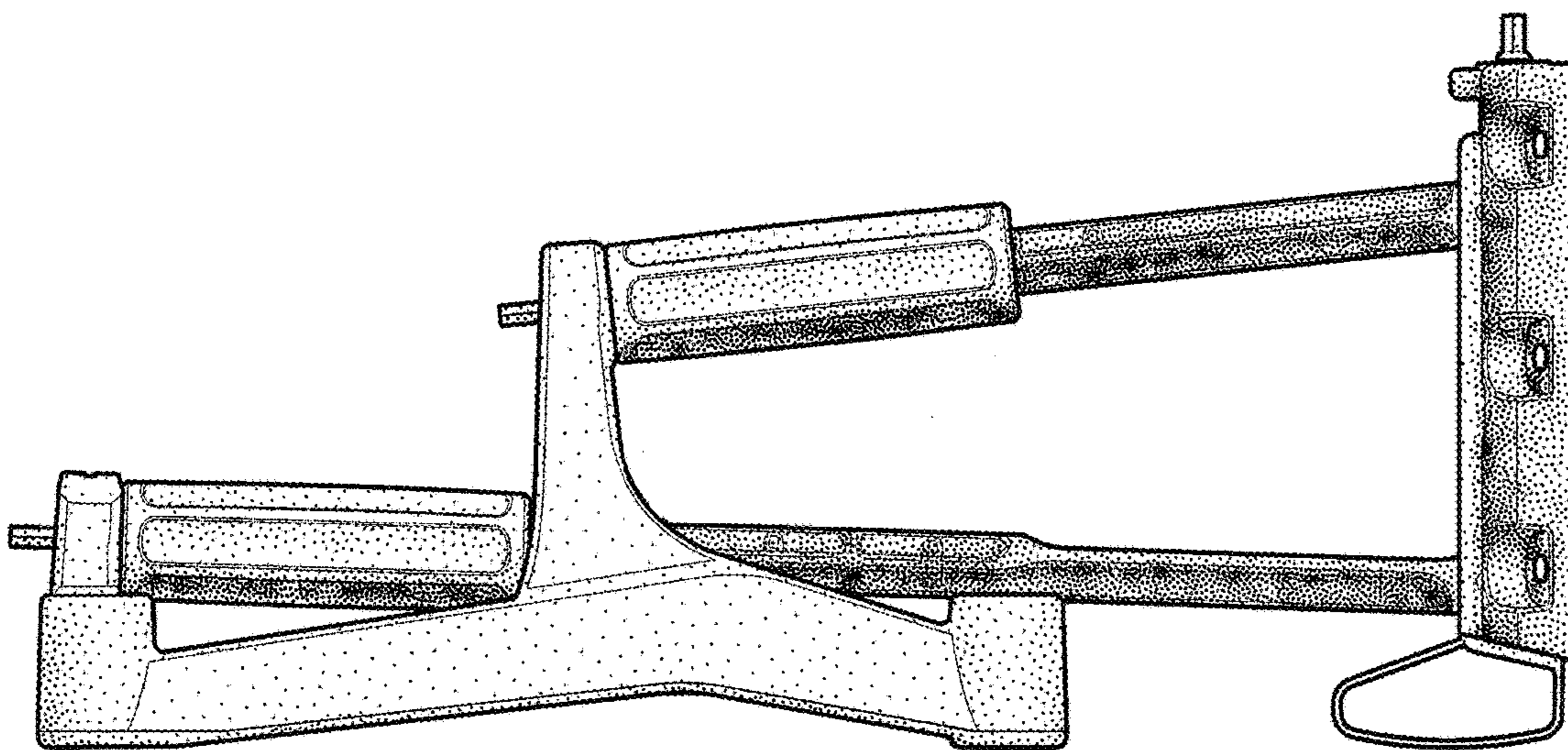


FIG. 3

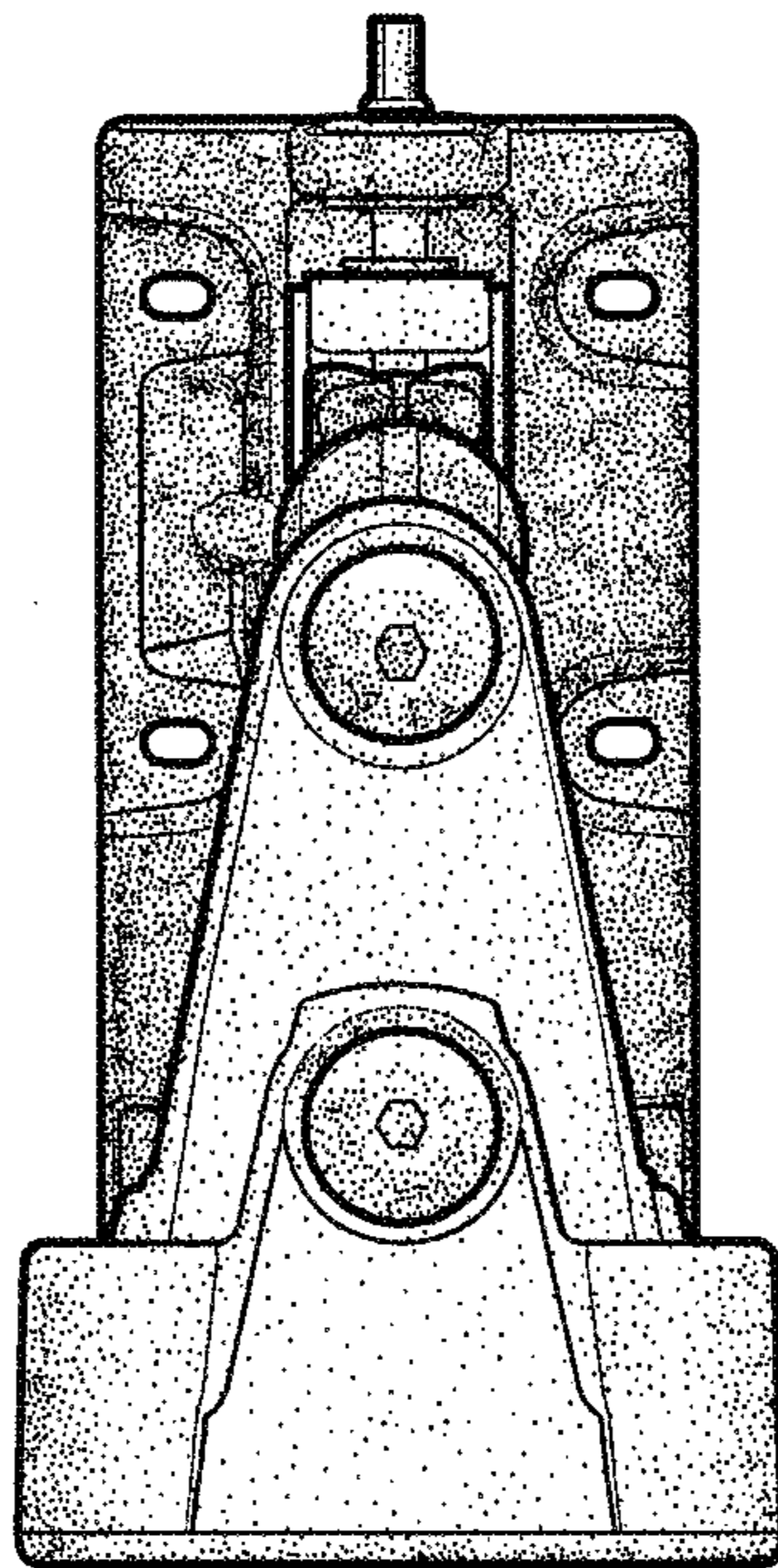


FIG. 4

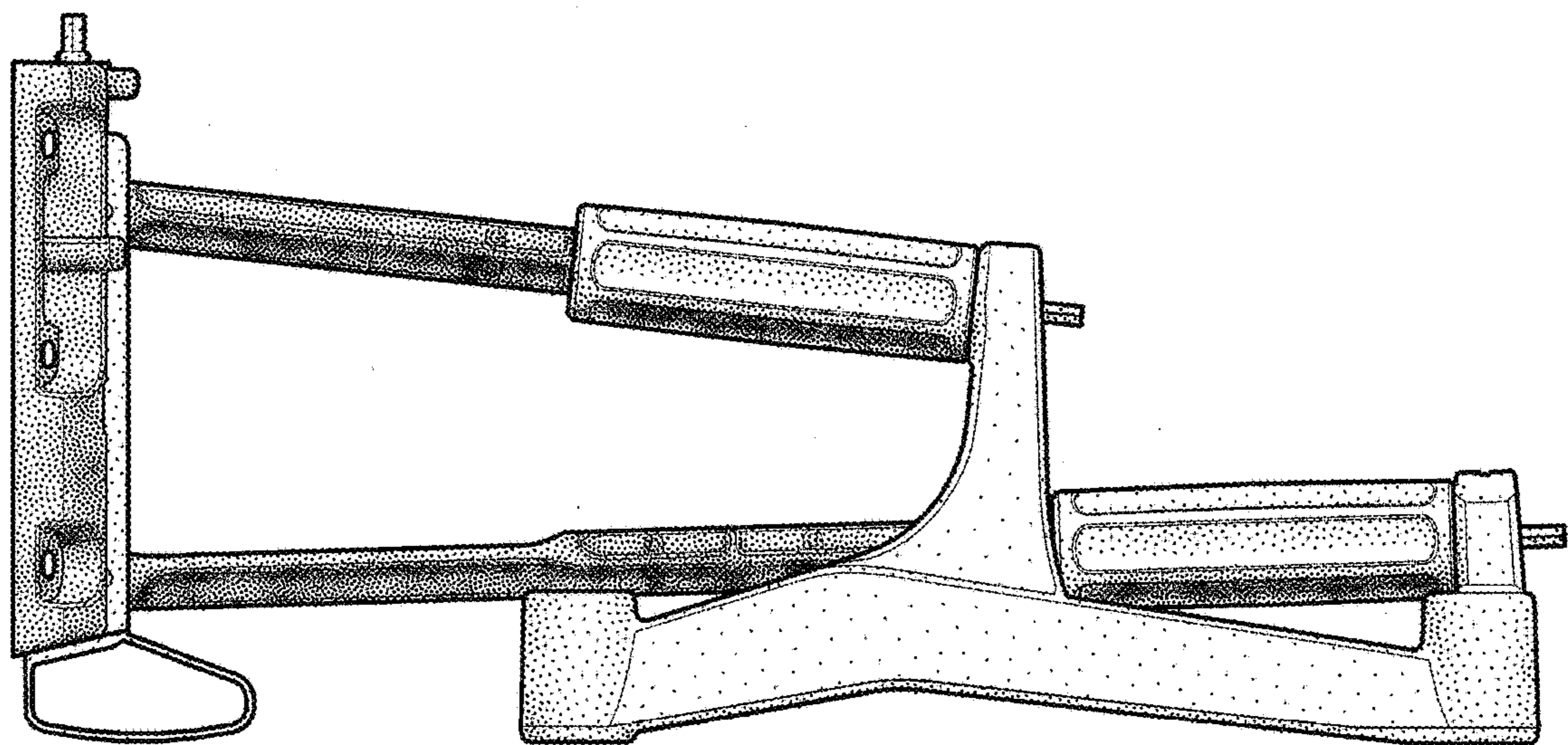


FIG. 5

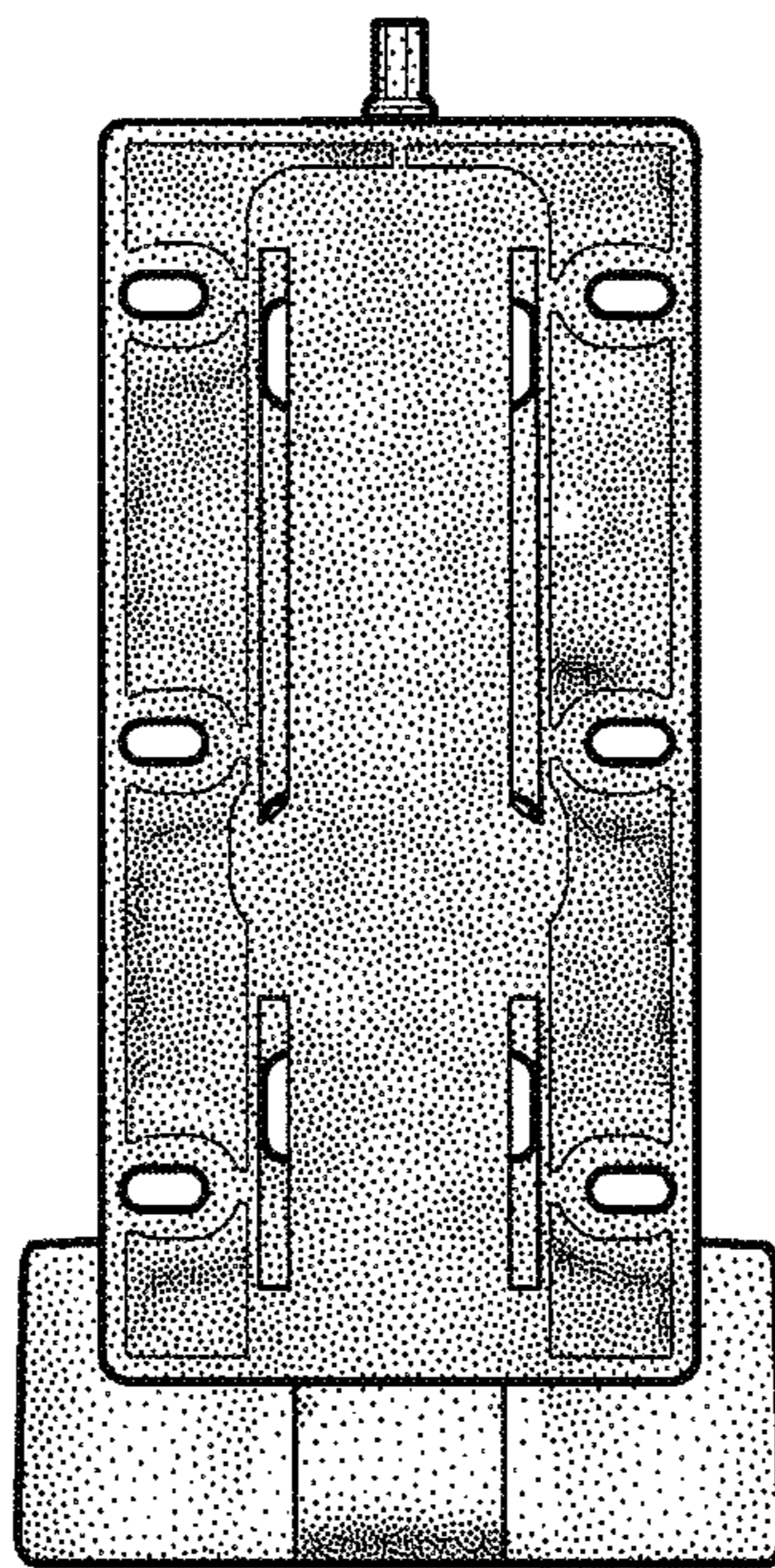


FIG. 6

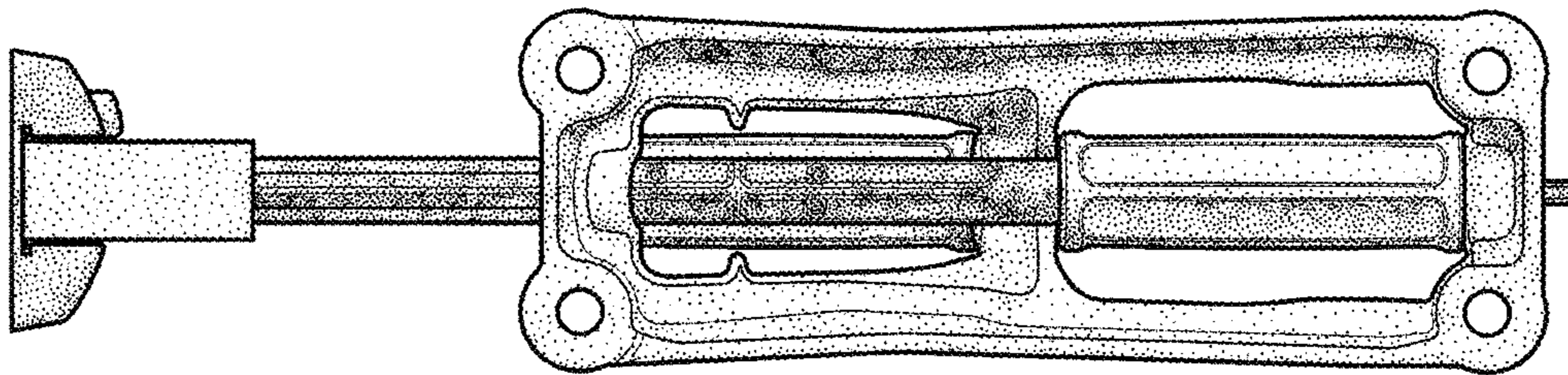


FIG. 7