



US00D804266S

(12) **United States Design Patent**
Cowie

(10) **Patent No.:** **US D804,266 S**
(45) **Date of Patent:** **** Dec. 5, 2017**

(54) **CONCRETE PLACER TOOL INCLUDING
OCTAGONAL POLE HANDLE**

4,663,796 A * 5/1987 Helling B25G 3/20
15/144.2
4,702,641 A * 10/1987 Naser E01C 19/44
15/235.8
4,739,994 A 4/1988 Lewis, Jr.
4,856,932 A * 8/1989 Kraft E04F 21/244
404/118

(71) Applicant: **Marshalltown Company,**
Marshalltown, IA (US)

(72) Inventor: **Charles H. Cowie,** Fayetteville, AR
(US)

(Continued)

(73) Assignee: **Marshalltown Company,**
Marshalltown, ID (US)

FOREIGN PATENT DOCUMENTS

(**) Term: **15 Years**

CN 2341345 Y 10/1999
CN 203762499 U 8/2014
WO 03094646 A1 11/2003

(21) Appl. No.: **29/553,821**

Primary Examiner — Phillip S Hyder

(22) Filed: **Feb. 4, 2016**

(74) *Attorney, Agent, or Firm* — Senniger Powers LLP

(51) **LOC (10) Cl.** **08-05**

(52) **U.S. Cl.**
USPC **D8/45**

(57) **CLAIM**

The ornamental design for concrete placer tool including octagonal pole handle, as shown and described.

(58) **Field of Classification Search**
USPC D8/14, 45; D32/40, 41, 52
CPC E06B 7/2307; E06B 3/362; B25G 3/08;
E04F 21/161; E04F 21/244
See application file for complete search history.

DESCRIPTION

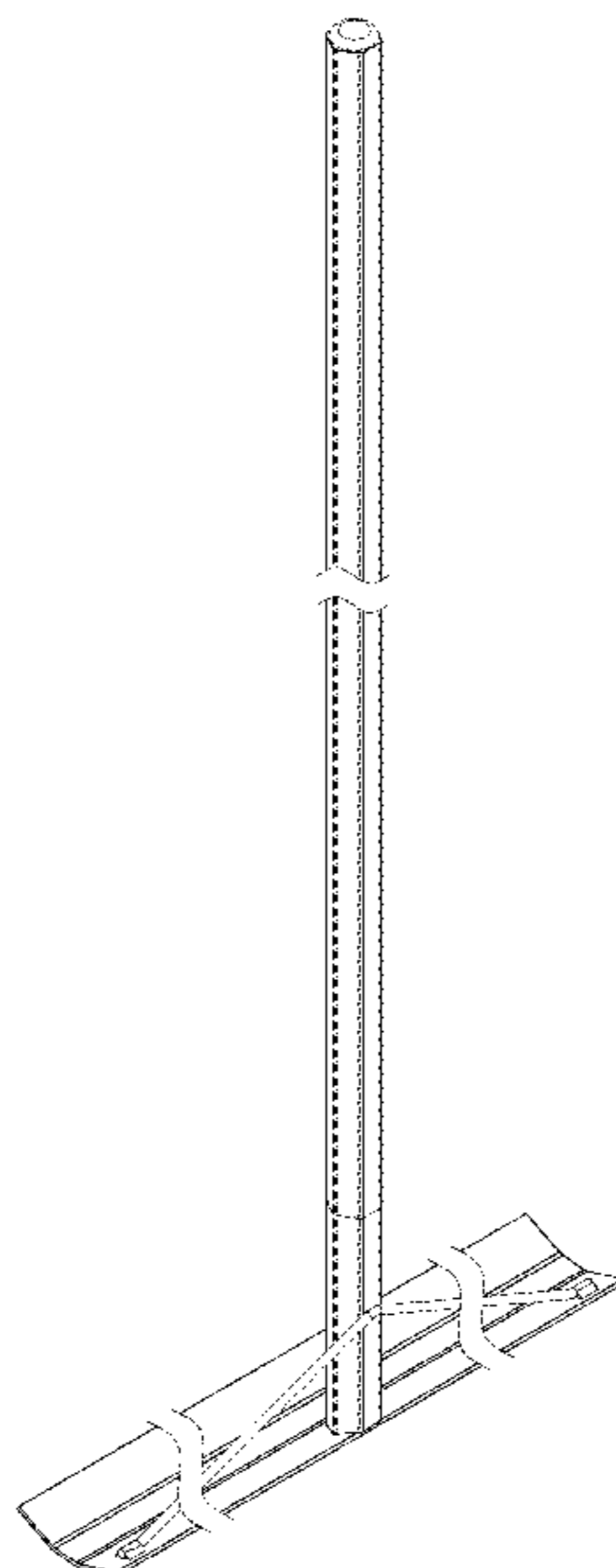
(56) **References Cited**

U.S. PATENT DOCUMENTS

293,752 A 2/1884 Krahenbeihl
2,018,890 A * 10/1935 Heltzel E01C 19/44
15/235.4
D217,285 S 4/1970 Anderson
3,729,796 A * 5/1973 Sell G11C 5/04
29/737
4,397,581 A * 8/1983 Jarvis E06B 7/2307
15/235.4
4,406,559 A 9/1983 Geertsema et al.
4,520,527 A * 6/1985 Maggio E04F 21/244
15/144.1
D282,622 S * 2/1986 Bobo D32/41

FIG. 1 is a perspective of a concrete placer tool including octagonal pole handle of our new design;
FIG. 2 is a front elevation of the concrete placer tool including octagonal pole handle;
FIG. 3 is a top plan view of the concrete placer tool including octagonal pole handle;
FIG. 4 is a bottom plan view of the concrete placer tool including octagonal pole handle;
FIG. 5 is a left side elevation of the concrete placer tool including octagonal pole handle;
FIG. 6 is a right side elevation of the concrete placer tool including octagonal pole handle; and,
FIG. 7 is a rear elevation view of the concrete placer tool including octagonal pole handle.
The broken lines depict portions of the concrete placer tool including octagonal pole handle in which the design is embodied that are not considered part of the claimed design.

1 Claim, 7 Drawing Sheets



(56)

References Cited

U.S. PATENT DOCUMENTS

4,892,437	A *	1/1990	Kraft	E04F 21/244 404/114
4,940,243	A *	7/1990	Tucker	A63B 59/20 473/513
D323,280	S	1/1992	Chen		
5,115,536	A *	5/1992	Jarvis	B25G 3/38 15/144.1
5,467,496	A *	11/1995	Jarvis	B25G 3/08 15/235.4
5,515,574	A	5/1996	Larson		
5,651,744	A	7/1997	Millon et al.		
5,664,520	A	9/1997	Latimer, III		
5,779,386	A	7/1998	Eichhorn		
5,983,455	A	11/1999	Polzin et al.		
6,199,245	B1	3/2001	Blessing		
D453,463	S	2/2002	Chang		
6,367,854	B1	4/2002	Chou		
6,453,777	B1	9/2002	Newman et al.		
D469,330	S	1/2003	Novoa		
6,854,916	B2	2/2005	Hsieh		
7,004,671	B2	2/2006	Tawara et al.		
7,108,616	B2	9/2006	Morrow et al.		
7,182,223	B2	2/2007	Healy et al.		
D578,260	S	10/2008	Fellinger		
7,621,832	B2	11/2009	Morrow et al.		
D611,563	S	3/2010	Sjöberg		
D621,236	S *	8/2010	Bahler	D8/45
D645,511	S	9/2011	Freeman et al.		
8,016,702	B2	9/2011	Hagey		
8,052,549	B2 *	11/2011	Sykora	A63B 59/20 473/513
D661,265	S	6/2012	Kajiya et al.		
8,579,537	B2	11/2013	VanLandingham et al.		
8,641,309	B2	2/2014	Perry et al.		
8,808,120	B2 *	8/2014	Cain	A63B 59/02 473/512
8,834,305	B2 *	9/2014	Cain	A63B 59/02 473/513
D716,510	S	10/2014	Gilbert, Jr.		
D735,012	S	7/2015	Cowie		
9,511,269	B2 *	12/2016	Morin	A63B 60/16
2001/0024594	A1	9/2001	Taylor		
2003/0110584	A1	6/2003	Clare et al.		
2003/0215283	A1	11/2003	Hsieh		
2003/0233718	A1	12/2003	Heathcock et al.		
2004/0001738	A1	1/2004	Schipani et al.		
2006/0016047	A1	1/2006	Blackman et al.		
2006/0230581	A1	10/2006	Richardson et al.		
2006/0283284	A1	12/2006	Lin		
2009/0094791	A1	4/2009	Blom		
2012/0060879	A1	3/2012	Webb		

* cited by examiner

FIG. 1

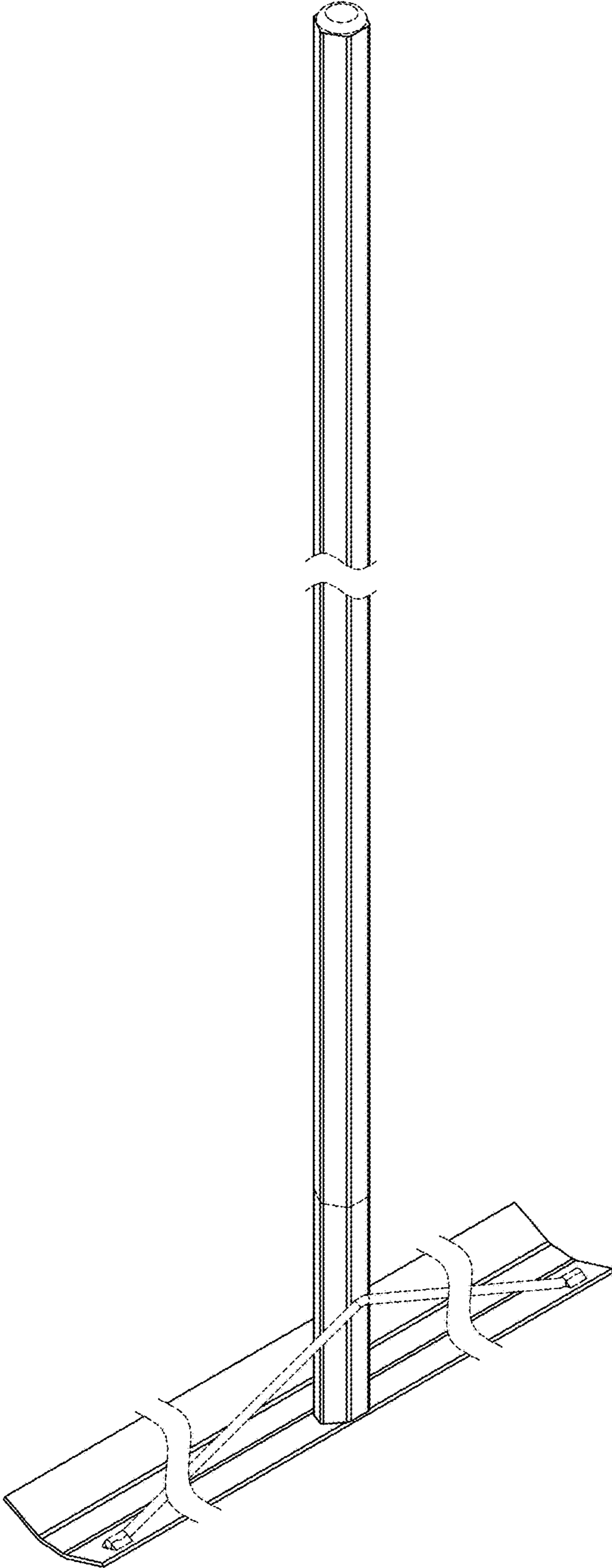


FIG. 2

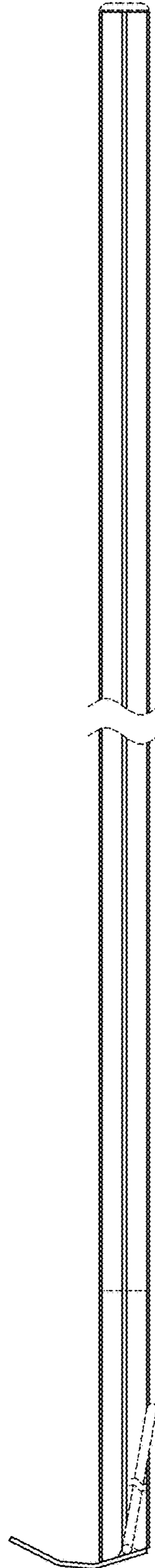


FIG. 3

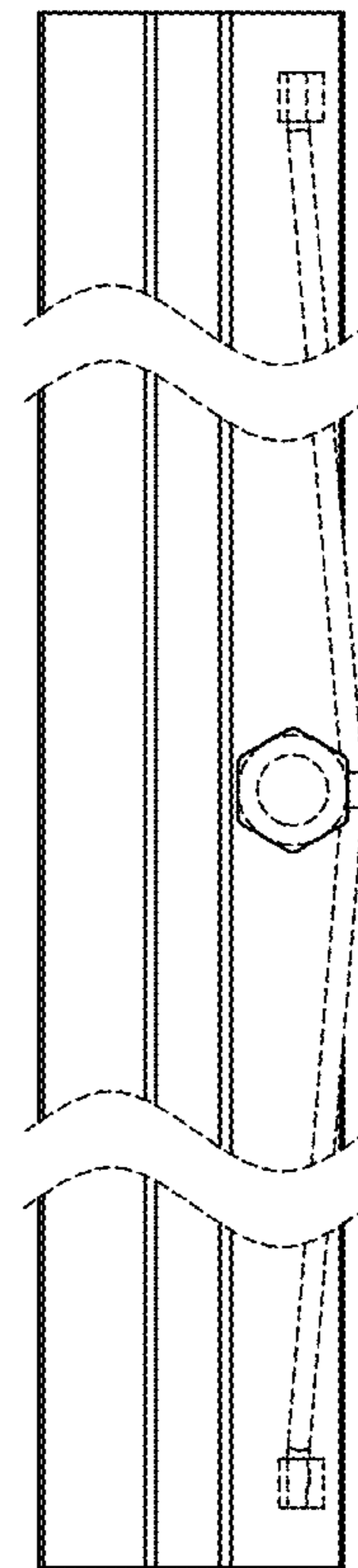


FIG. 4

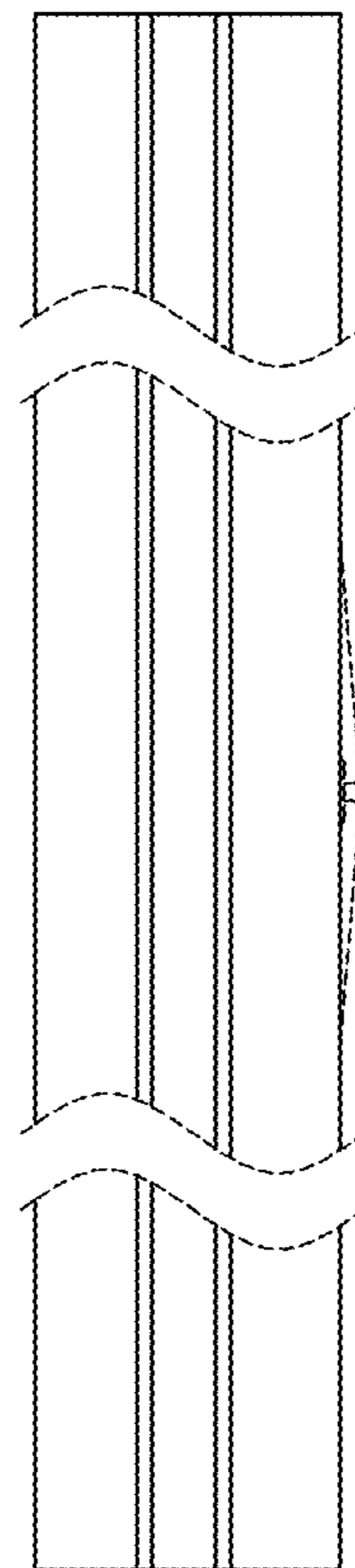


FIG. 5

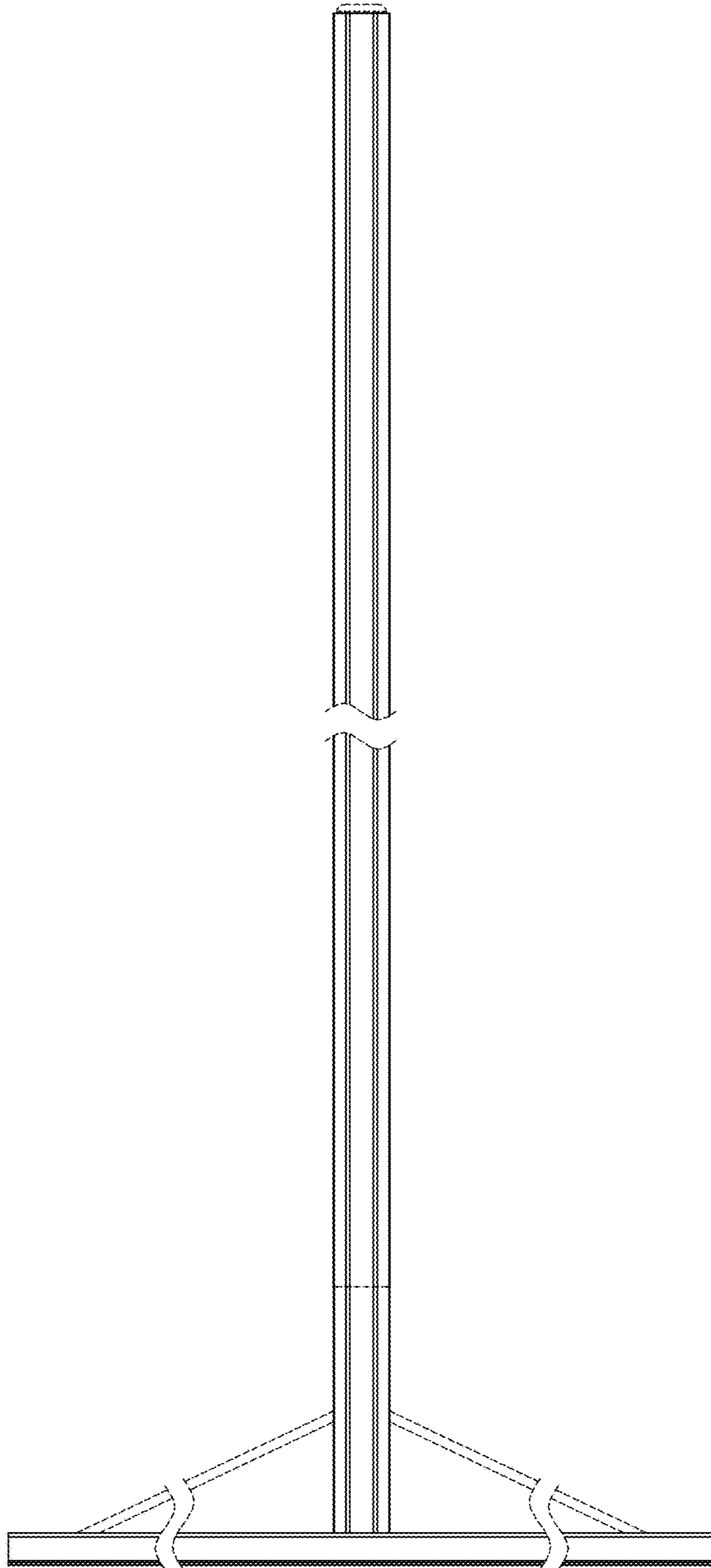


FIG. 6

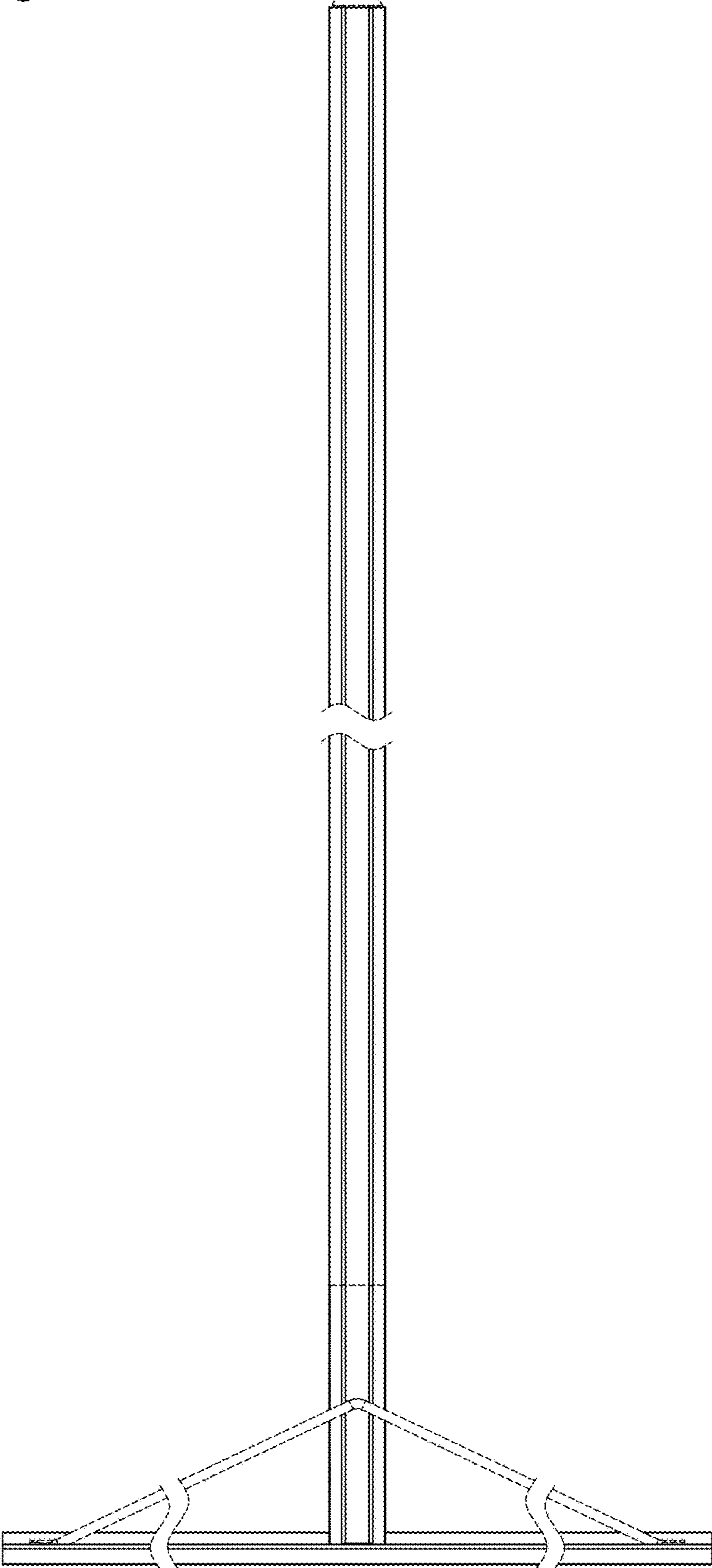


FIG. 7

