



US00D804263S

(12) **United States Design Patent**
Landon et al.

(10) **Patent No.:** **US D804,263 S**
(45) **Date of Patent:** **** Dec. 5, 2017**

- (54) **T-HANDLE TOOL**
- (71) Applicant: **Automotive Industrial Marketing Corp.**, Portland, OR (US)
- (72) Inventors: **Christopher L. Landon**, Portland, OR (US); **Lindsay M. Alanen**, Oregon City, OR (US); **Leonard V. Demchak**, Oldsmar, FL (US)
- (73) Assignee: **Automotive Industrial Marketing Corp.**, Portland, OR (US)
- (**) Term: **15 Years**
- (21) Appl. No.: **29/580,092**
- (22) Filed: **Oct. 5, 2016**
- (51) **LOC (10) Cl.** **08-05**
- (52) **U.S. Cl.**
USPC **D8/25**
- (58) **Field of Classification Search**
USPC D8/25, 60, 97, 107; 81/117.1, 177.85, 81/121.1, 124.3, 165-170, 110.1, 176.2, 81/124.6, 176.1, 176.15, 177.2, 186, 467, 81/476, 478, 480; 16/110.1; 192/44, 45, 192/54.52; D24/133, 145, 147; 606/54, 606/59, 62, 63, 60, 64
CPC .. B25G 1/00; B25B 1/00; B25B 13/00; B25B 23/00
See application file for complete search history.

- D319,759 S * 9/1991 Bookout D8/21
- D433,894 S * 11/2000 Mathis D8/25
- 7,296,804 B2 * 11/2007 Lechot A61B 17/1666
279/140
- D704,015 S * 5/2014 Hernandez, Jr. D8/25
- D714,116 S * 9/2014 Jiang D8/25
- D771,452 S * 11/2016 Scott D8/21

* cited by examiner

Primary Examiner — Randall Gholson

(74) *Attorney, Agent, or Firm* — Schwabe, Williamson & Wyatt, P.C.

(57) **CLAIM**

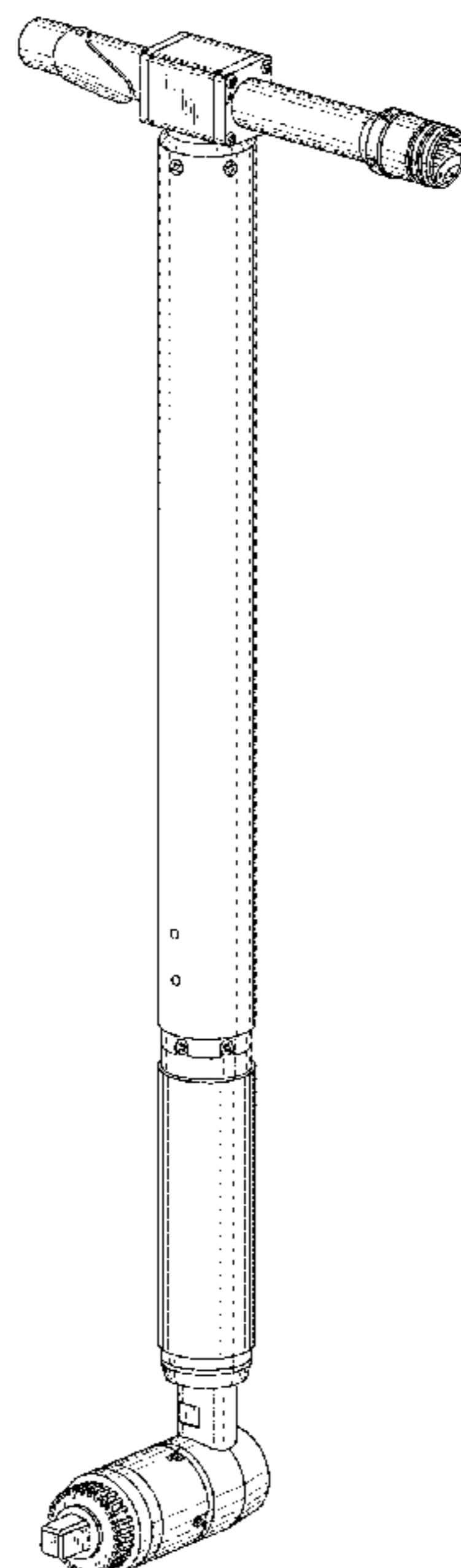
We claim an ornamental design for a T-handle tool, as shown and described.

DESCRIPTION

- FIG. 1 is a perspective view of a T-handle tool, showing my new design;
- FIG. 2 is a top view thereof;
- FIG. 3 is a bottom view thereof;
- FIG. 4 is a front view thereof;
- FIG. 5 is a rear view thereof;
- FIG. 6 is a right side view thereof; and,
- FIG. 7 is a left side view thereof.

1 Claim, 3 Drawing Sheets

- (56) **References Cited**
U.S. PATENT DOCUMENTS
2,570,706 A * 10/1951 Peluse B25B 13/481
74/459.5
4,485,702 A * 12/1984 Swan B25B 13/28
81/177.2



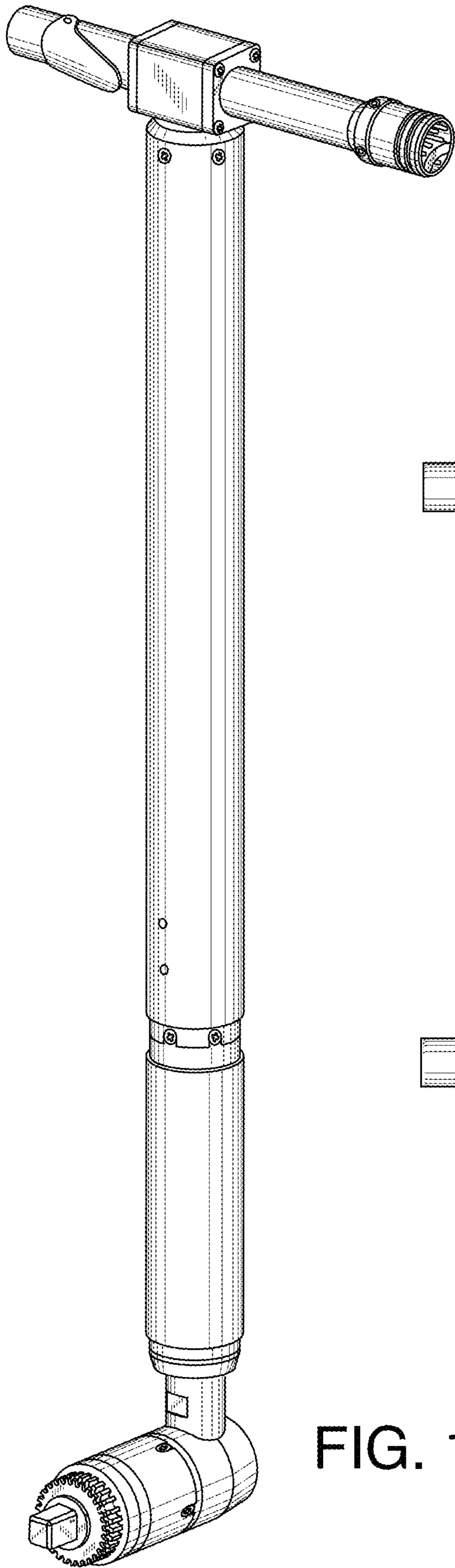


FIG. 1

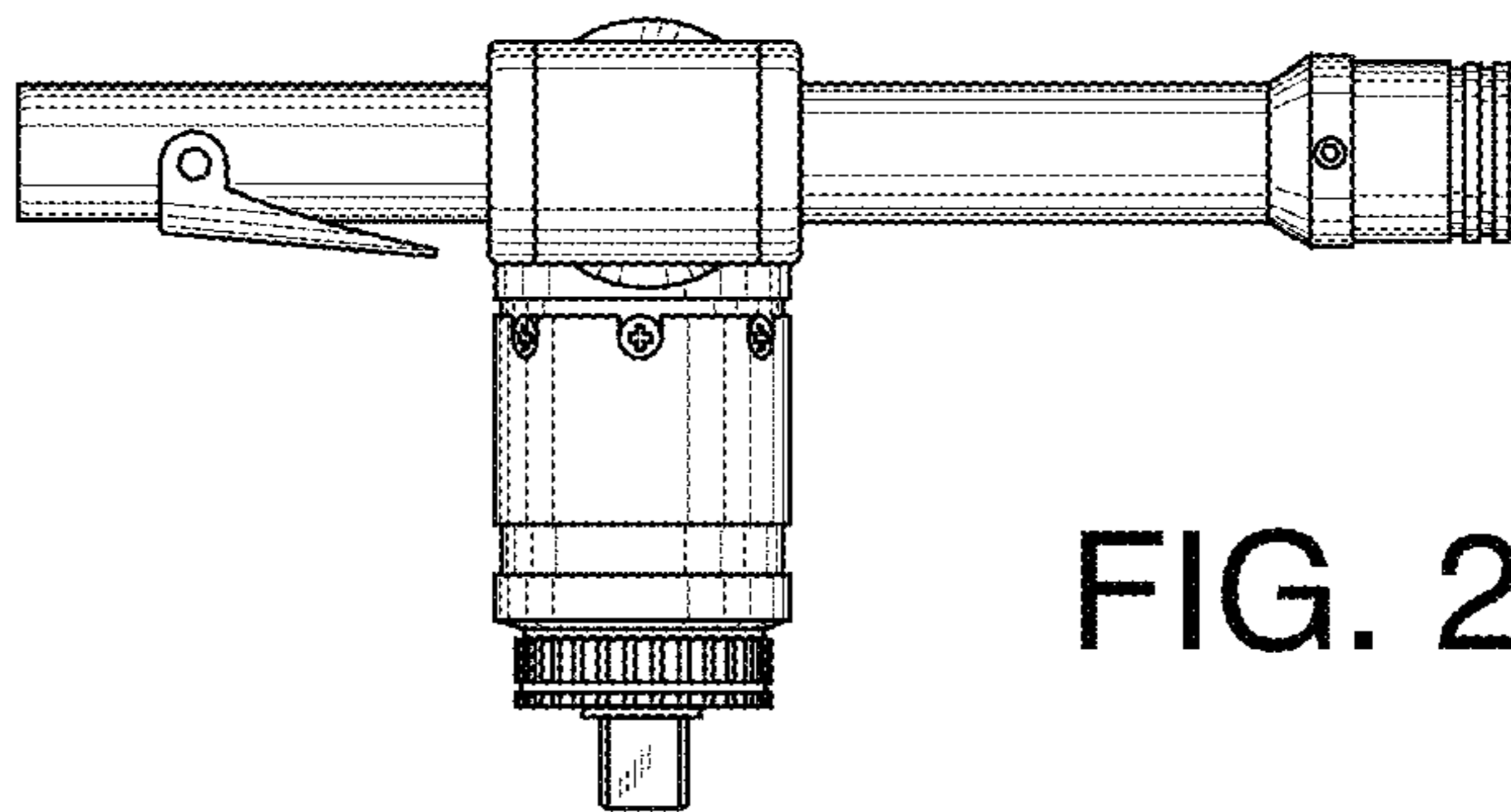


FIG. 2

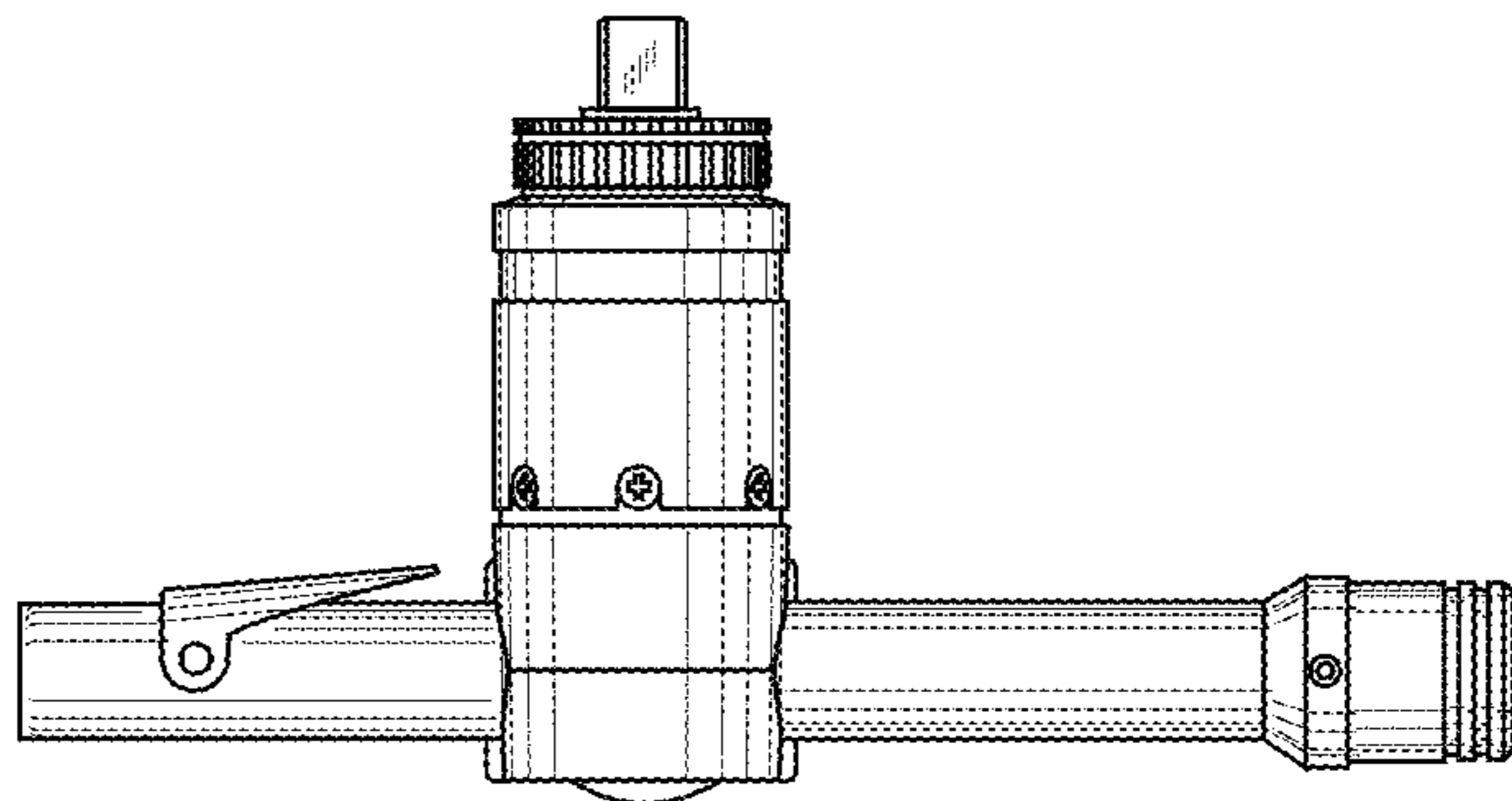


FIG. 3

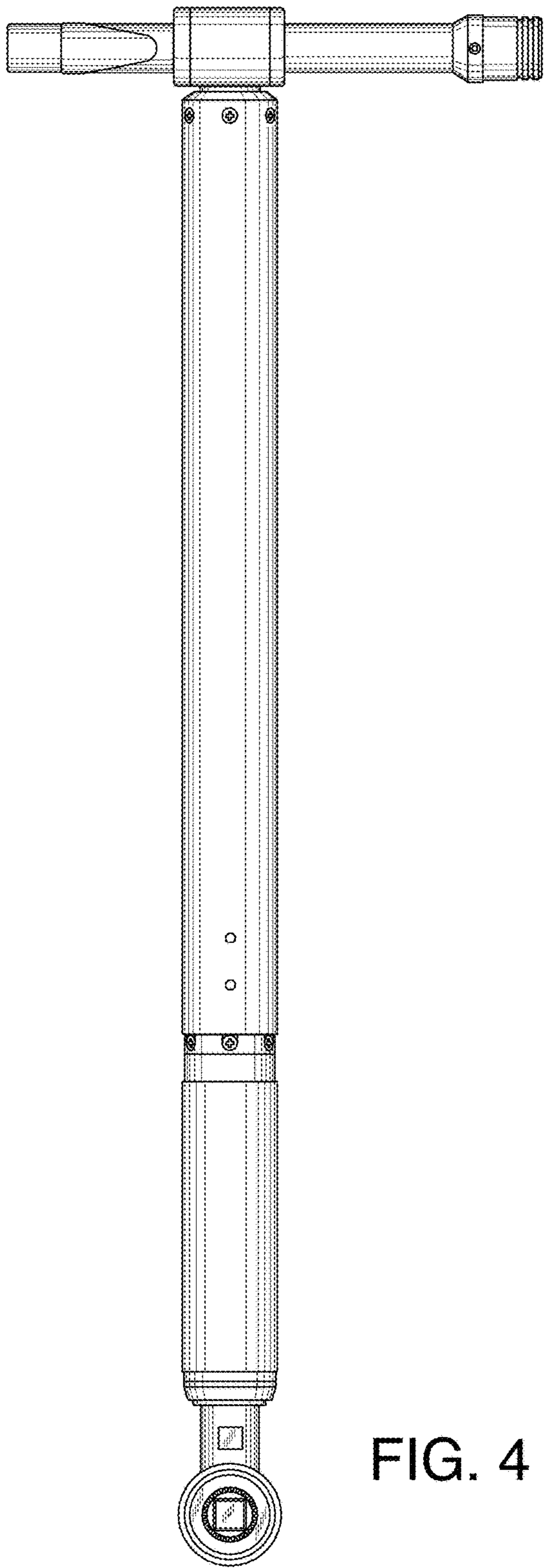


FIG. 4

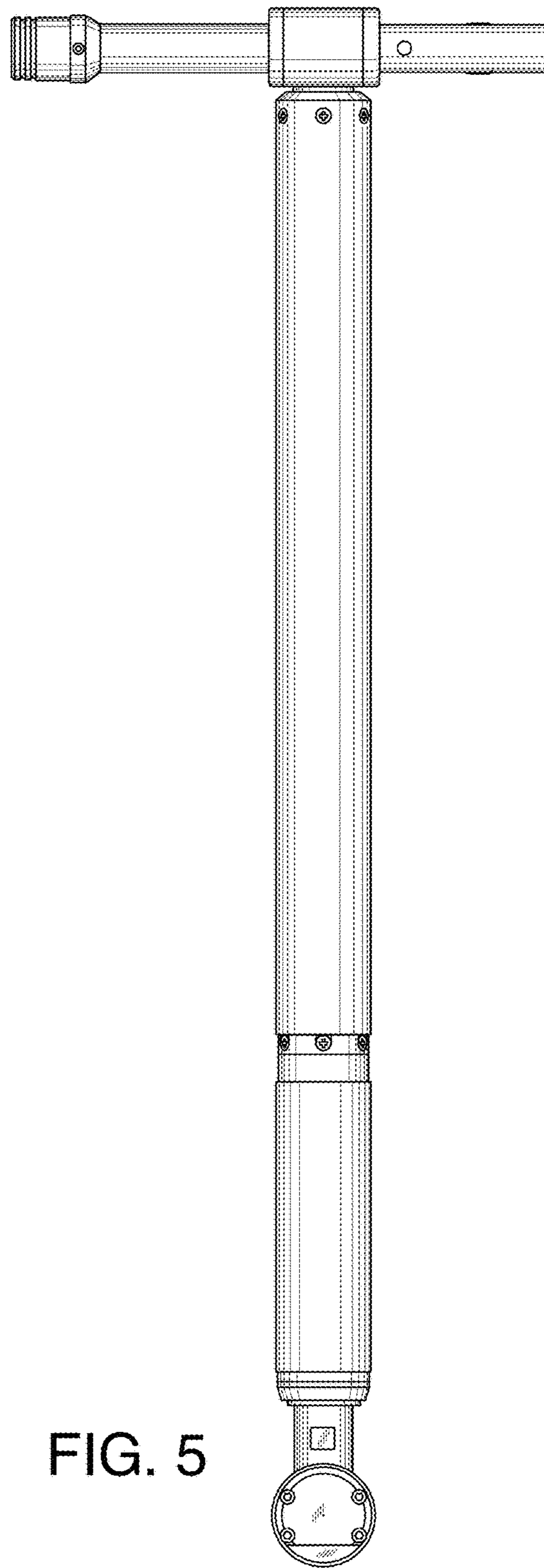


FIG. 5

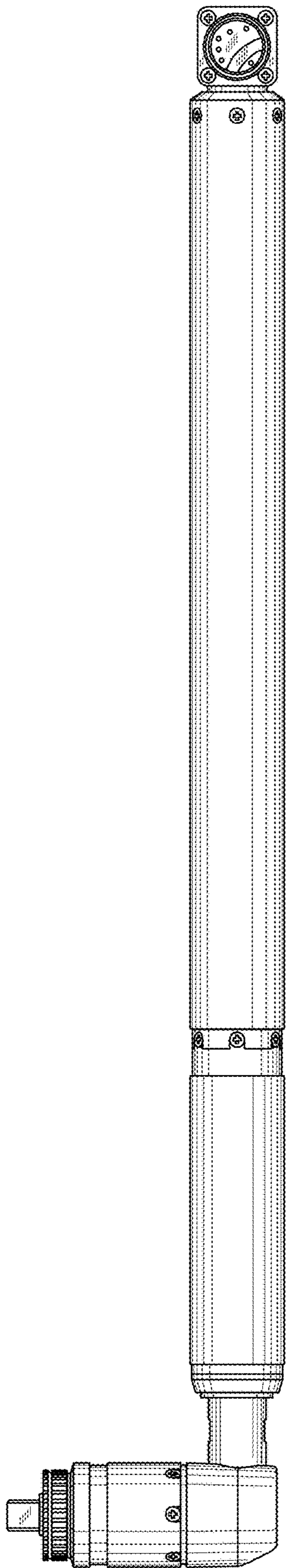


FIG. 6

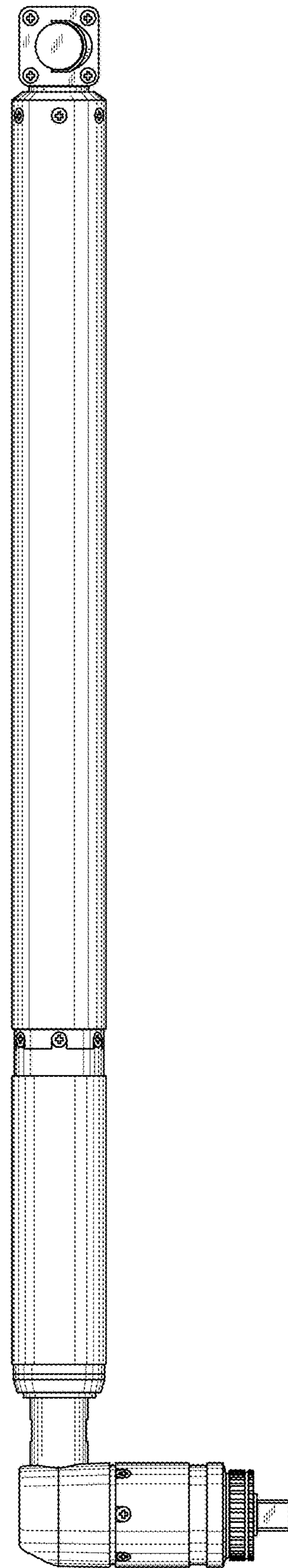


FIG. 7