



US00D804262S

(12) **United States Design Patent**
Reed et al.

(10) **Patent No.:** **US D804,262 S**
(45) **Date of Patent:** **** Dec. 5, 2017**

(54) **PLANTER POT DRAIN TRAY**

DESCRIPTION

(71) Applicant: **Dune Farmers, LLC**, Mapleton, OR (US)
(72) Inventors: **Zeno Reed**, Mapleton, OR (US);
Brittany N Cowan, Mapleton, OR (US)
(73) Assignee: **Dune Farmers, LLC**, Mapleton, OR (US)
(**) Term: **15 Years**
(21) Appl. No.: **29/567,813**
(22) Filed: **Jun. 13, 2016**
(51) **LOC (10) Cl.** **08-01**
(52) **U.S. Cl.**
USPC **D8/1; D11/164**
(58) **Field of Classification Search**
USPC **D8/1; D23/260; D11/152, 164**
(Continued)

FIG. 1 is a top view of a planter pot drain tray according to a first embodiment;
FIG. 2 is a bottom view of the planter pot drain tray of FIG. 1;
FIG. 3 is a first side view of the planter pot drain tray of FIG. 1;
FIG. 4 is a second side view of the planter pot drain tray of FIG. 1;
FIG. 5 is a third side view of the planter pot drain tray of FIG. 1;
FIG. 6 is a fourth side view of the planter pot drain tray of FIG. 1;
FIG. 7 is a first perspective view looking toward a top of the planter pot drain tray of FIG. 1;
FIG. 8 is a second perspective view looking toward the top of the planter pot drain tray of FIG. 1;
FIG. 9 is a third perspective view looking toward a bottom of the planter pot drain tray of FIG. 1;
FIG. 10 is a fourth perspective view looking toward the bottom of the planter pot drain tray of FIG. 1;
FIG. 11 is a top view of a planter pot drain tray according to a second embodiment;
FIG. 12 is a bottom view of the planter pot drain tray of FIG. 11;
FIG. 13 is a first side view of the planter pot drain tray of FIG. 11;
FIG. 14 is a second side view of the planter pot drain tray of FIG. 11;
FIG. 15 is a third side view of the planter pot drain tray of FIG. 11;
FIG. 16 is a fourth side view of the planter pot drain tray of FIG. 11;
FIG. 17 is a first perspective view looking toward a top of the planter pot drain tray of FIG. 11;
FIG. 18 is a second perspective view looking toward the top of the planter pot drain tray of FIG. 11;
FIG. 19 is a third perspective view looking toward a bottom of the planter pot drain tray of FIG. 11; and,
FIG. 20 is a fourth perspective view looking toward the bottom of the planter pot drain tray of FIG. 11.
The broken lines illustrate portions of the planter pot drain tray and form no part of the claimed design.

(56) **References Cited**

U.S. PATENT DOCUMENTS

1,989,525 A * 1/1935 Moore B05B 3/00
239/211
2,770,957 A * 11/1956 Bronson A47G 19/2283
220/23.83

(Continued)

OTHER PUBLICATIONS

Planter Drain Off, <http://planterdrainoff.com/>, Mar. 8, 2016.

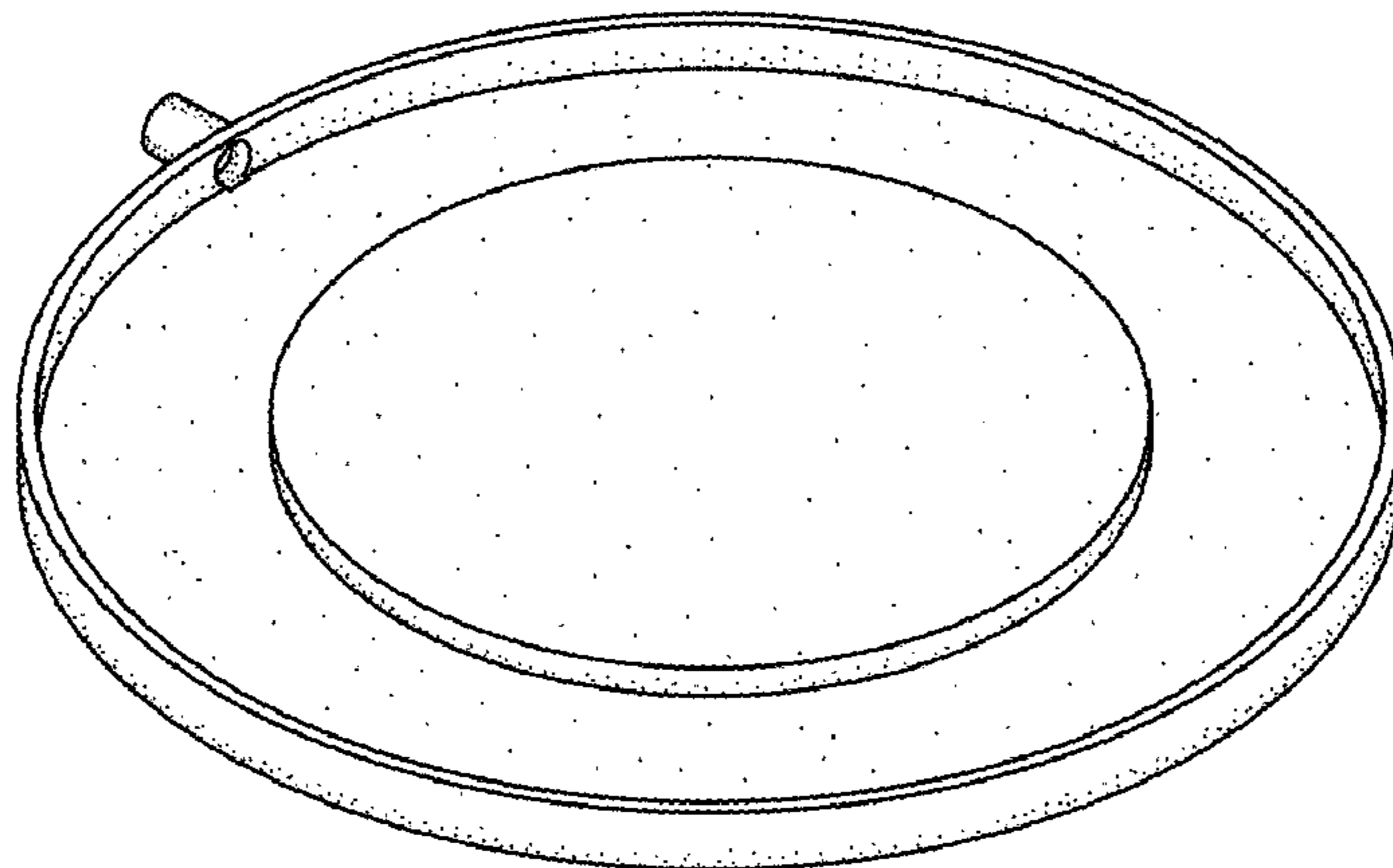
Primary Examiner — Sheryl Lane

(74) *Attorney, Agent, or Firm* — Renaissance IP Law Group, LLP; David A. Crowther

(57) **CLAIM**

The ornamental design for a planter pot drain tray, as shown and described.

1 Claim, 8 Drawing Sheets



US D804,262 S

Page 2

(58) **Field of Classification Search**

CPC B32B 5/26; A01G 25/02; A01G 13/0281;
A01G 9/04; A01G 9/02; A01G 9/021

See application file for complete search history.

(56) **References Cited**

U.S. PATENT DOCUMENTS

D231,416 S * 4/1974 Goldring D11/152
3,949,524 A * 4/1976 Mickelson A01G 9/02
206/423
4,167,080 A * 9/1979 Mickelson A01G 9/04
47/71
D339,550 S * 9/1993 Wilder D11/164
D351,220 S * 10/1994 Barnes D23/260
D361,308 S * 8/1995 Loran D11/164
6,047,499 A * 4/2000 Staas A01G 9/04
47/65.6
D428,781 S * 8/2000 Tanner D8/1
6,510,653 B1 * 1/2003 Workum A01G 9/04
47/65.5

D485,283 S * 1/2004 Shuck D15/89
D488,402 S * 4/2004 Fan D11/164
7,690,150 B2 * 4/2010 Orschulik A01G 9/04
47/66.1
D632,607 S * 2/2011 Gillingham D11/164
D677,763 S * 3/2013 Laera D23/260
D720,447 S * 12/2014 Korda F16N 31/002
D23/386
9,010,021 B1 * 4/2015 Rettger, II A01G 27/06
47/66.1
D732,421 S * 6/2015 Cordova D11/164
D786,129 S * 5/2017 Chan D11/164
D787,368 S * 5/2017 Meyers D11/164
2004/0238438 A1 * 12/2004 Chen A47J 43/286
210/474
2005/0086863 A1 * 4/2005 Brutsche, III A01G 9/04
47/71
2013/0276369 A1 * 10/2013 Hatcher A01G 9/02
47/65.6
2016/0128282 A1 * 5/2016 Halferty A01G 9/04
47/71

* cited by examiner

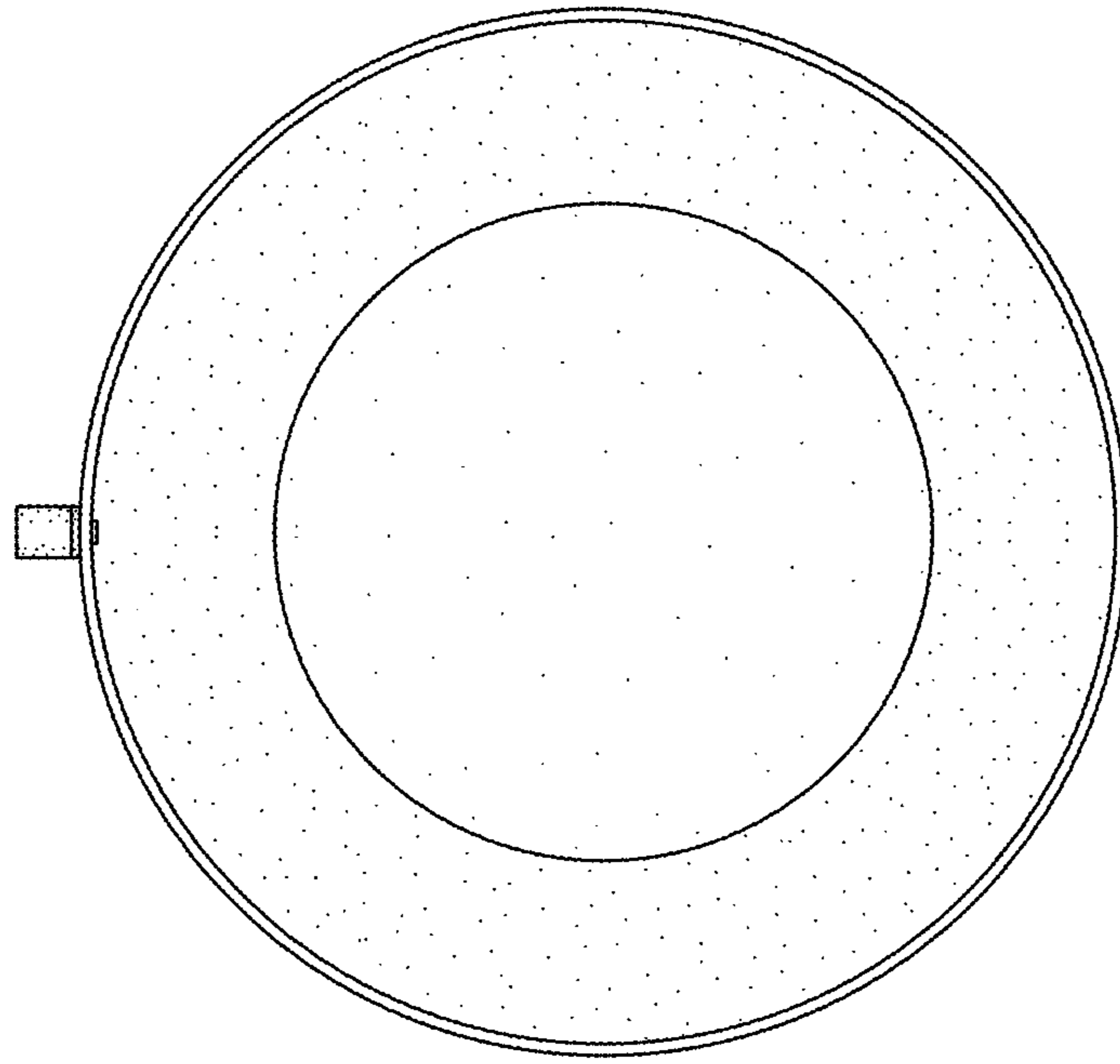


FIG. 1

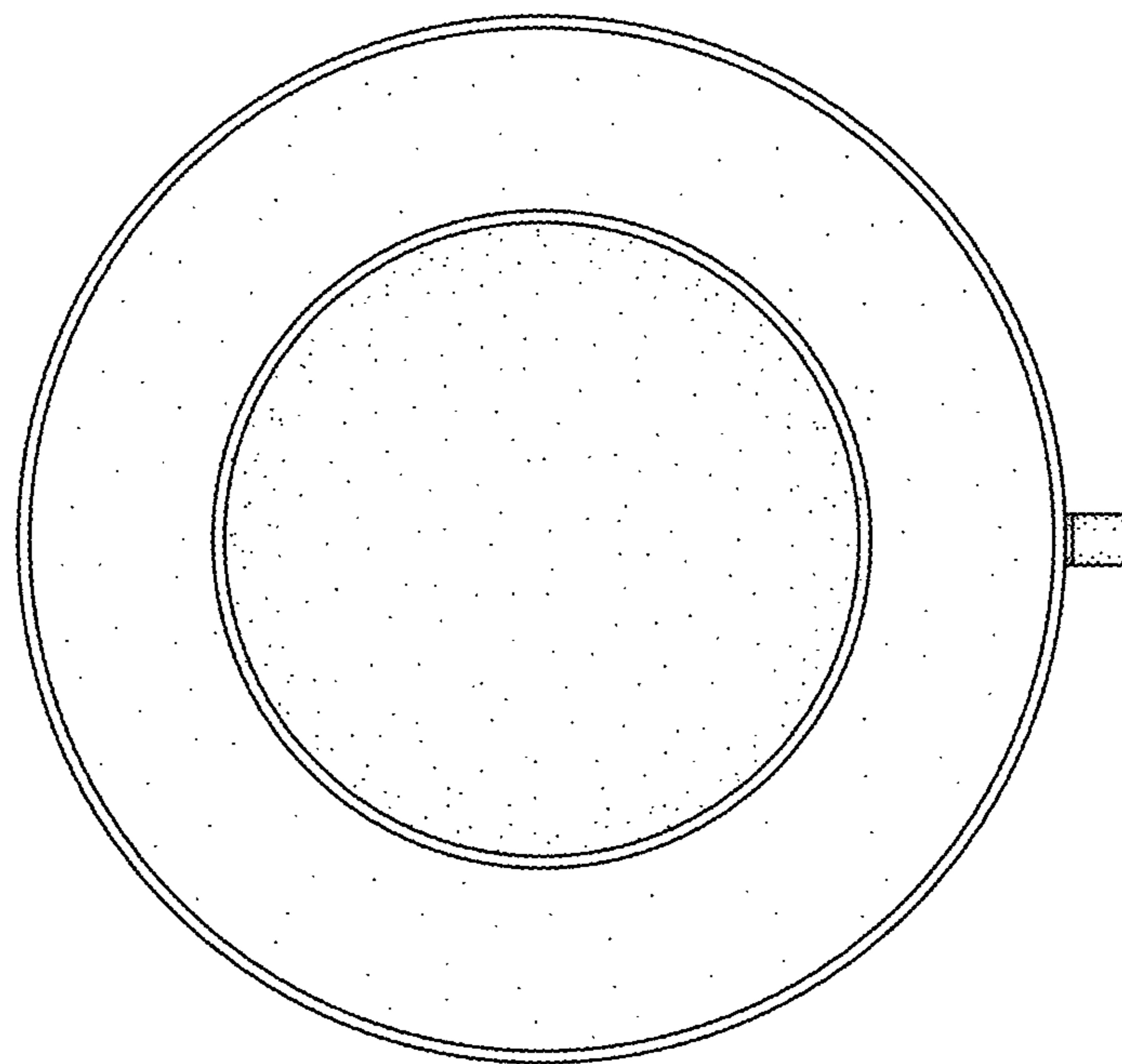


FIG. 2



FIG. 3



FIG. 4



FIG. 5



FIG. 6

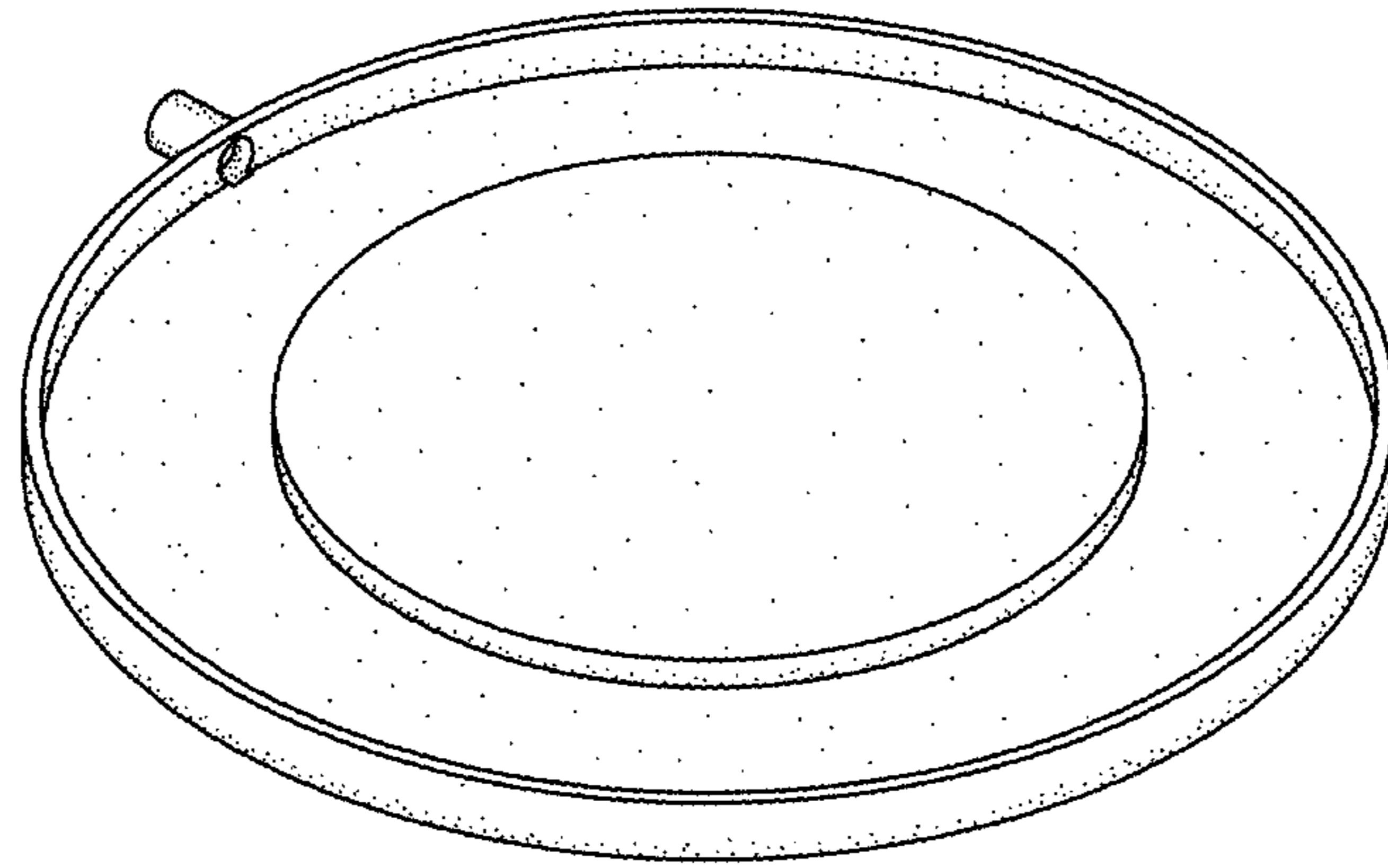


FIG. 7

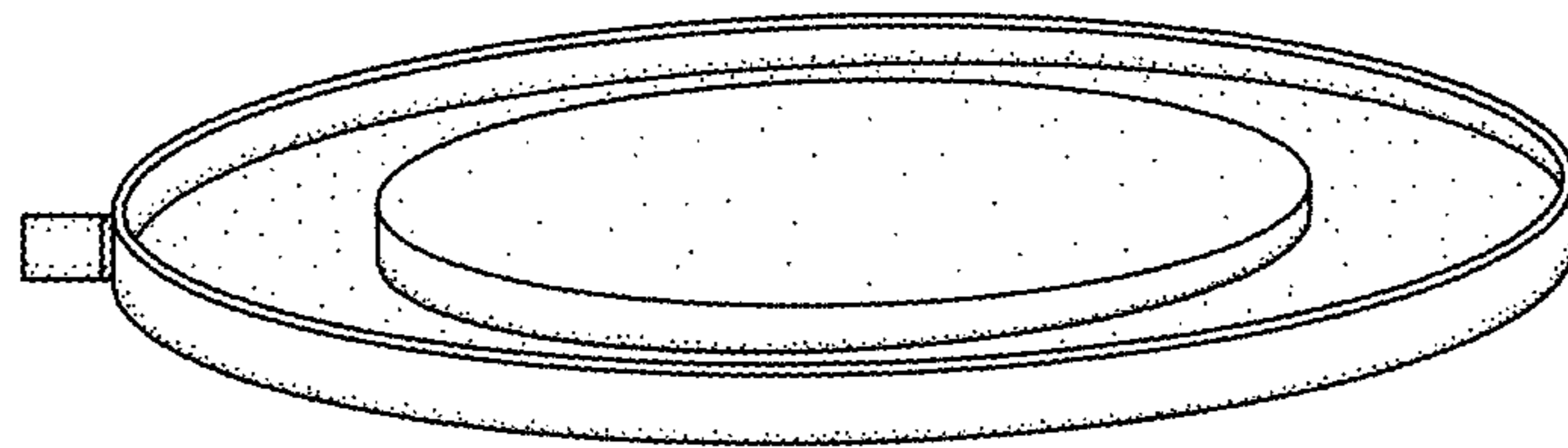


FIG. 8

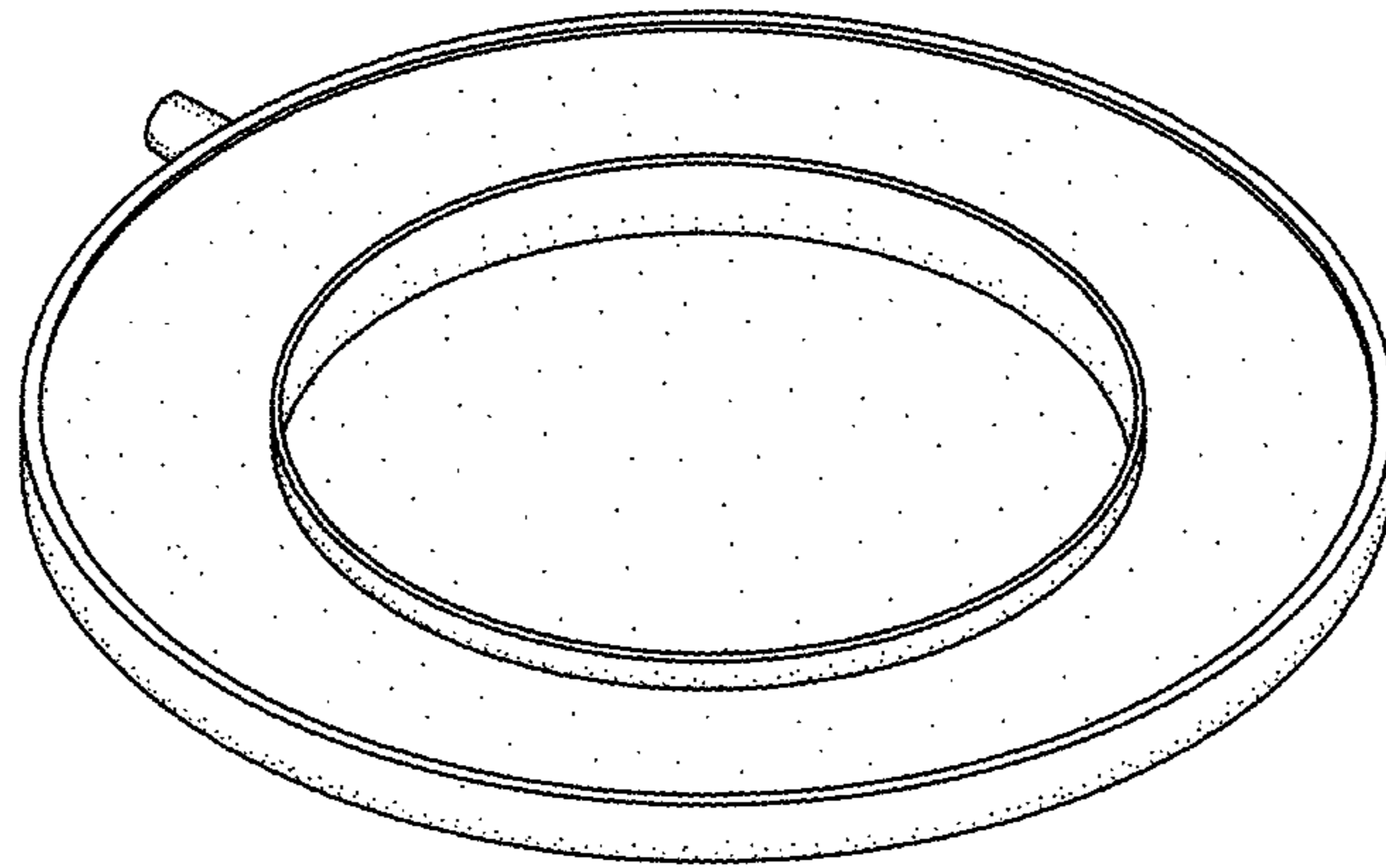


FIG. 9

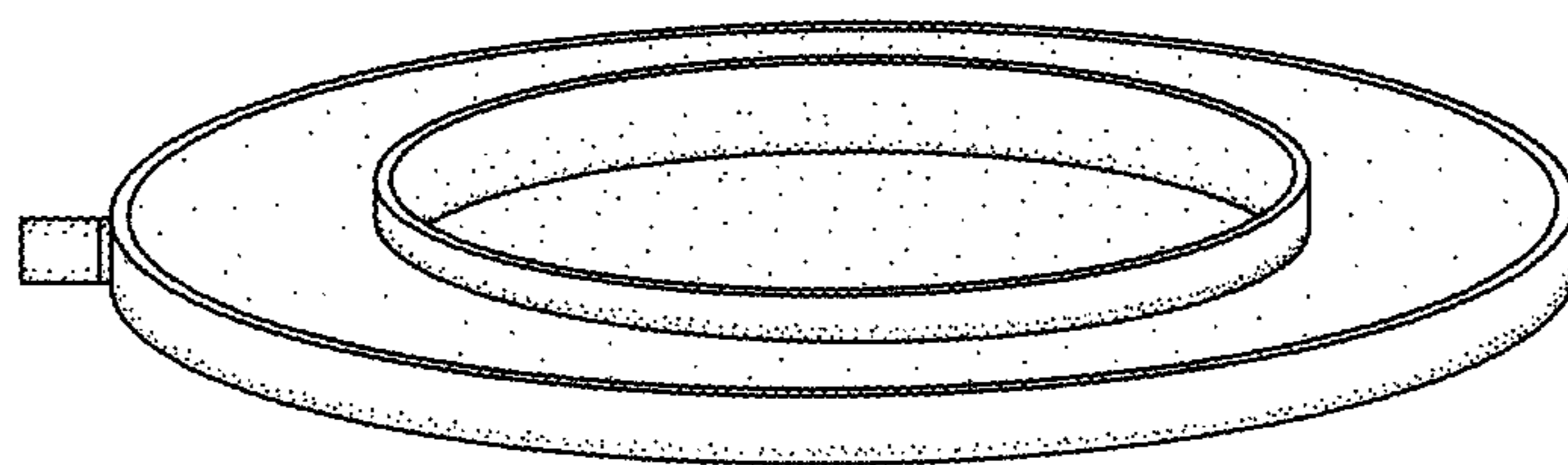


FIG. 10

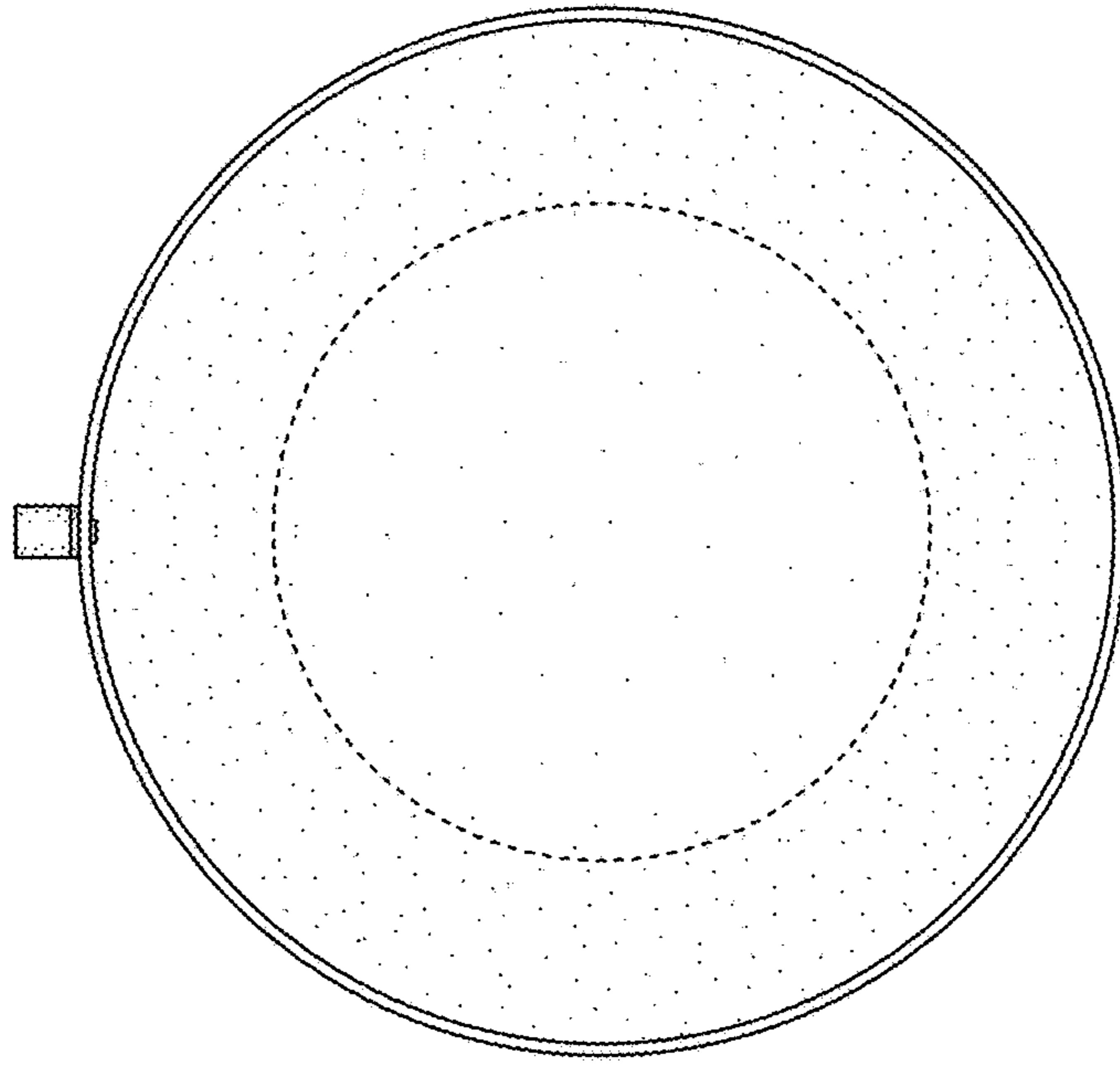


FIG. 11

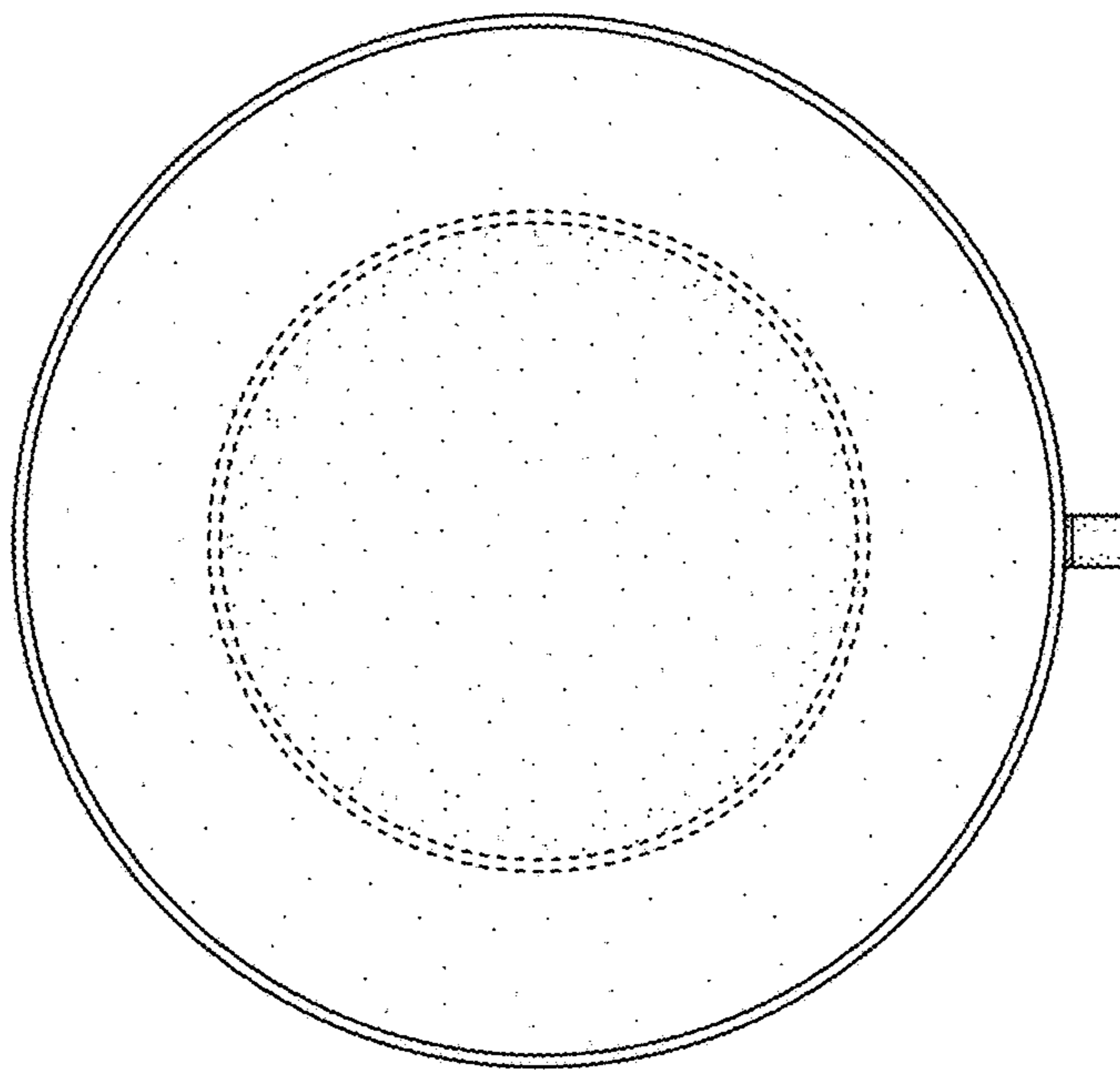


FIG. 12

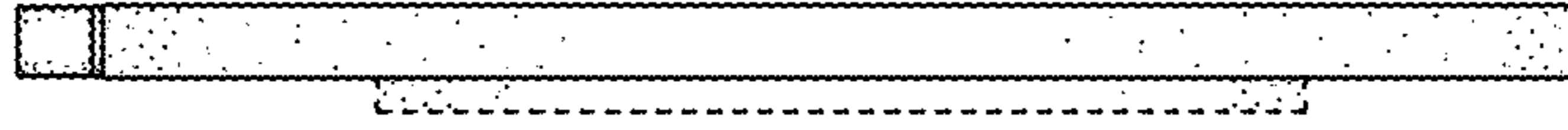


FIG. 13

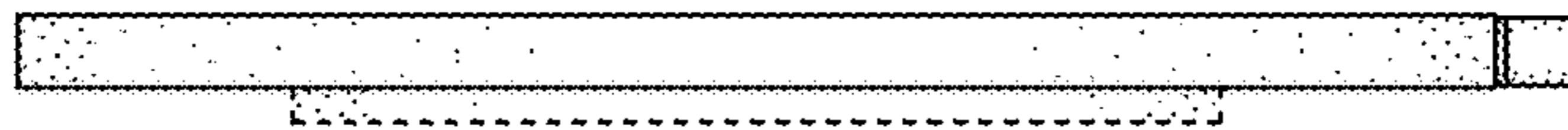


FIG. 14



FIG. 15

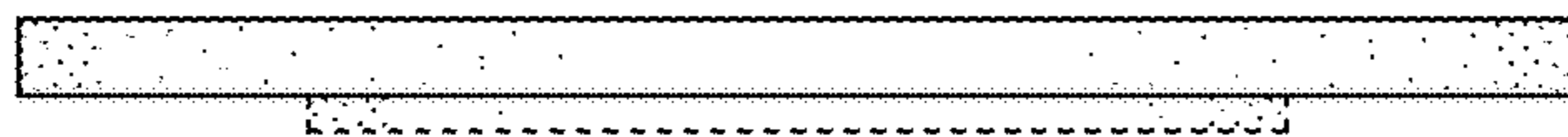


FIG. 16

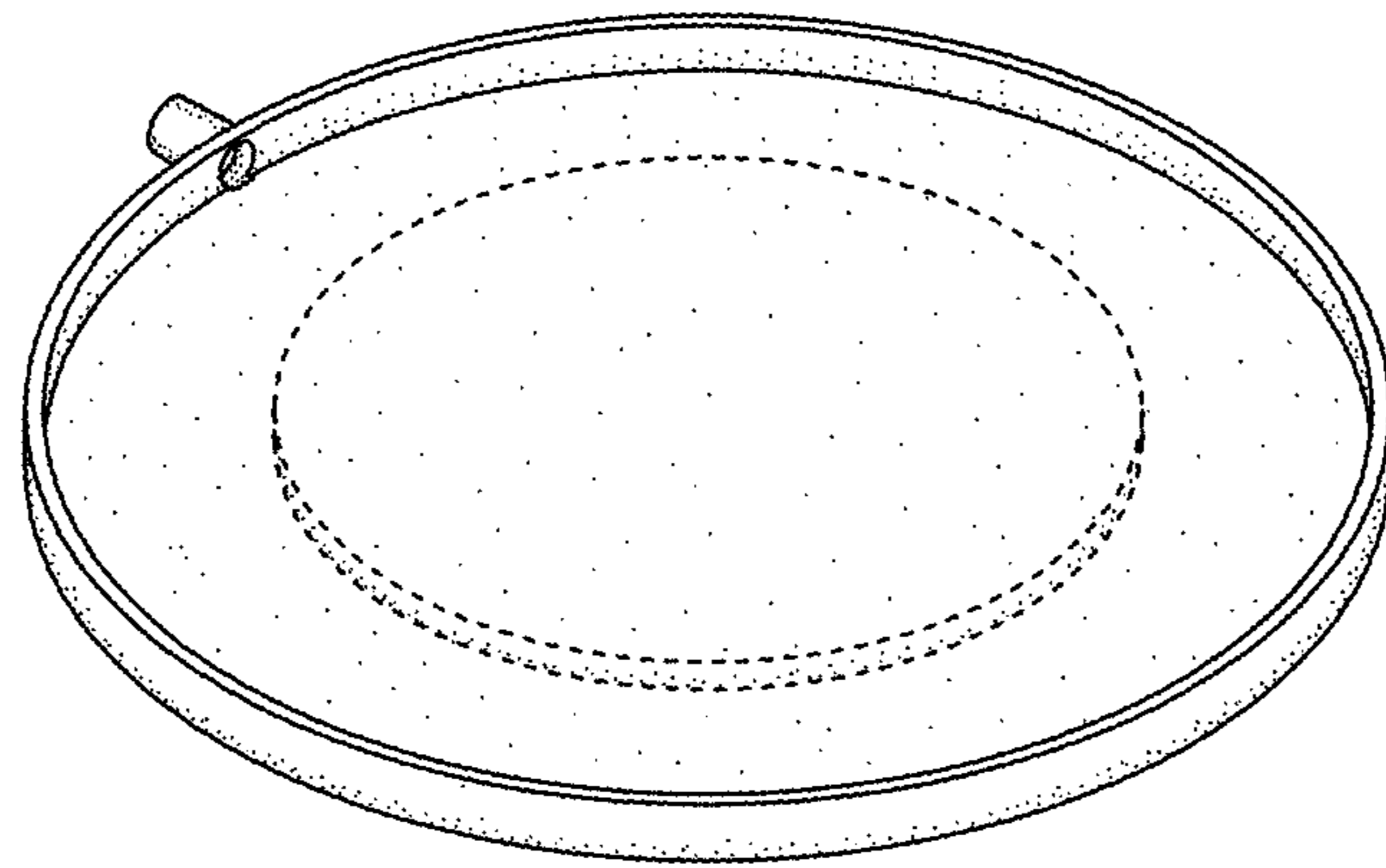


FIG. 17

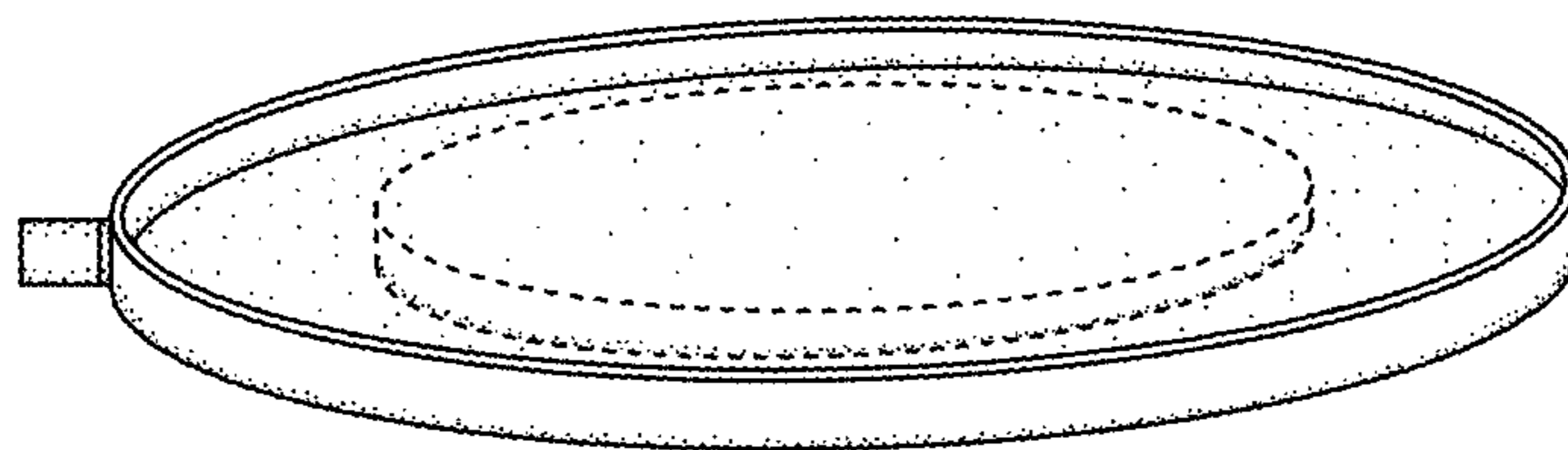


FIG. 18

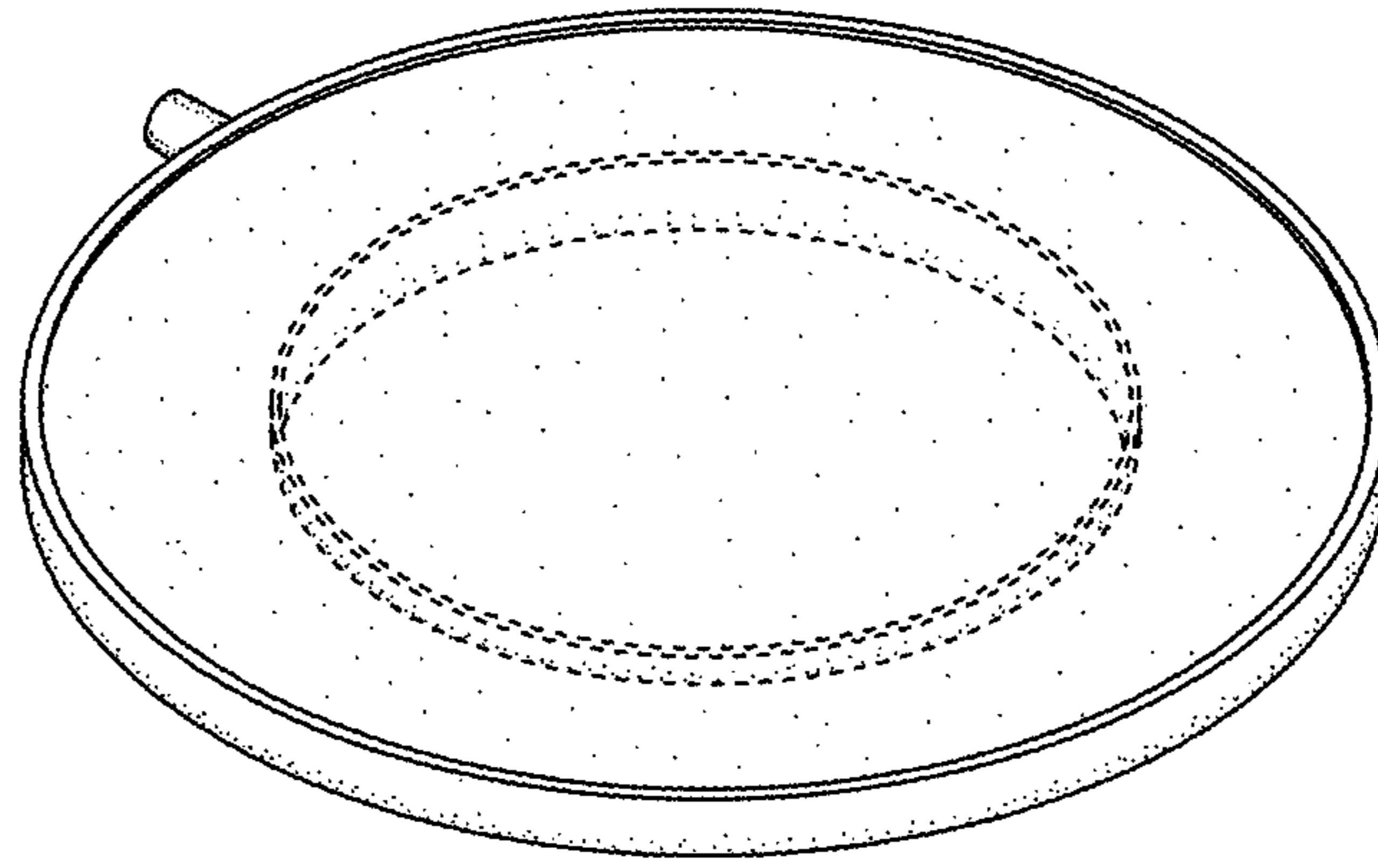


FIG. 19

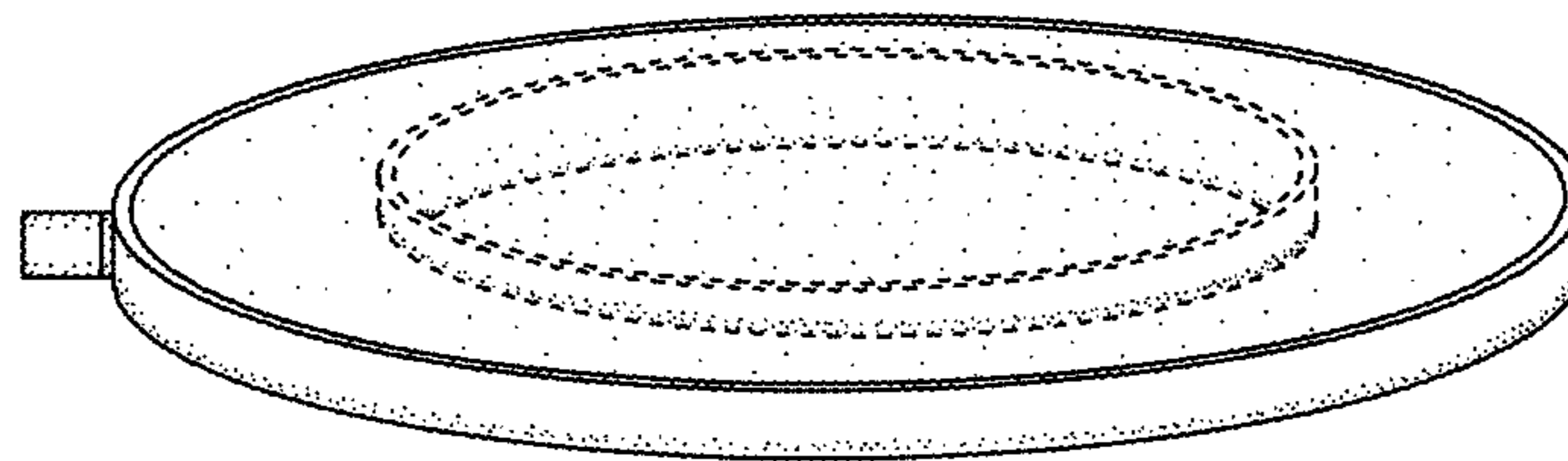


FIG. 20