



US00D804258S

(12) **United States Design Patent**
Kim et al.

(10) **Patent No.:** **US D804,258 S**

(45) **Date of Patent:** **** Dec. 5, 2017**

(54) **BODY FOR A JUICE EXTRACTOR**

(71) Applicant: **NUC Electronics Co., Ltd.**, Daegu (KR)

(72) Inventors: **Jong Boo Kim**, Daegu (KR); **Gun Wook Jo**, Daegu (KR)

(73) Assignee: **NUC Electronics Co., Ltd.**, Daegu (KR)

(**) Term: **15 Years**

(21) Appl. No.: **29/568,986**

(22) Filed: **Jun. 22, 2016**

(30) **Foreign Application Priority Data**

Dec. 30, 2015 (KR) 30-2015-0067303

(51) **LOC (10) Cl.** **31-00**

(52) **U.S. Cl.**
USPC **D7/665**

(58) **Field of Classification Search**
USPC D7/665, 666, 668, 372, 378, 381, 382,
D7/384, 386, 412

CPC A47J 19/02; A47J 19/027; A47J 19/00;
A47J 19/06; A47J 19/022; A47J 43/046;
A47J 43/0794; A23N 1/00; A23N 1/02;
A23N 1/003

See application file for complete search history.

(56) **References Cited**

U.S. PATENT DOCUMENTS

D136,772 S * 12/1943 Bonde D7/665
D159,469 S 8/1950 Bennett
D229,368 S * 11/1973 Marrie 99/501
D471,408 S 3/2003 Fouquet
6,609,455 B2 8/2003 Fouquet
D510,238 S * 10/2005 Yen D7/378

7,066,082 B2 6/2006 O'Loughlin
D537,303 S 2/2007 Stuckey
D565,363 S 4/2008 Fouquet
D594,717 S 6/2009 Wu Chang
D625,142 S * 10/2010 Moore D7/376
D640,502 S * 6/2011 Picozza D7/376
D660,660 S 5/2012 Kim
D665,633 S * 8/2012 Kim D7/665
D676,287 S 2/2013 Ferraby
D699,515 S * 2/2014 Kim D7/412
D742,683 S * 11/2015 Kim D7/376
D765,463 S * 9/2016 Affatato D7/376
D769,061 S * 10/2016 Diderotto D7/376
D769,082 S * 10/2016 Kim D7/386
2003/0052206 A1 3/2003 Fouquet
2006/0060091 A1 3/2006 Chang
2010/0139504 A1 6/2010 Wu Chang
2011/0083566 A1 4/2011 Backus
2011/0154997 A1 6/2011 Huang

(Continued)

Primary Examiner — Karen S Acker

Assistant Examiner — Steven B Reinholdt, Jr.

(74) *Attorney, Agent, or Firm* — Seed IP Law Group LLP

(57) **CLAIM**

The ornamental design for a body for a juice extractor, as shown and described.

DESCRIPTION

FIG. 1 is an isometric view of a body for a juice extractor showing our new design.

FIG. 2 is a front view thereof.

FIG. 3 is a rear view thereof.

FIG. 4 is a left side view thereof.

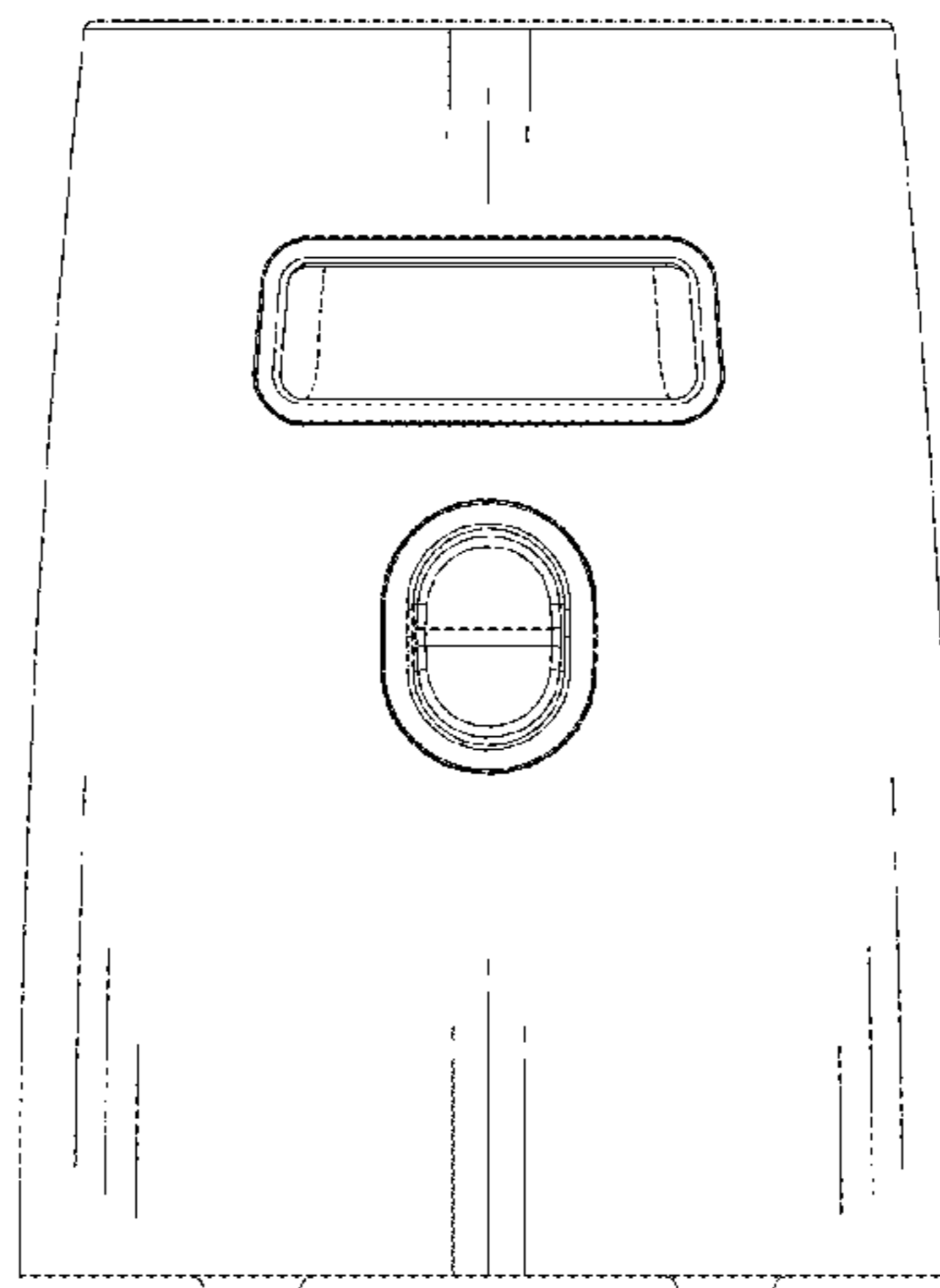
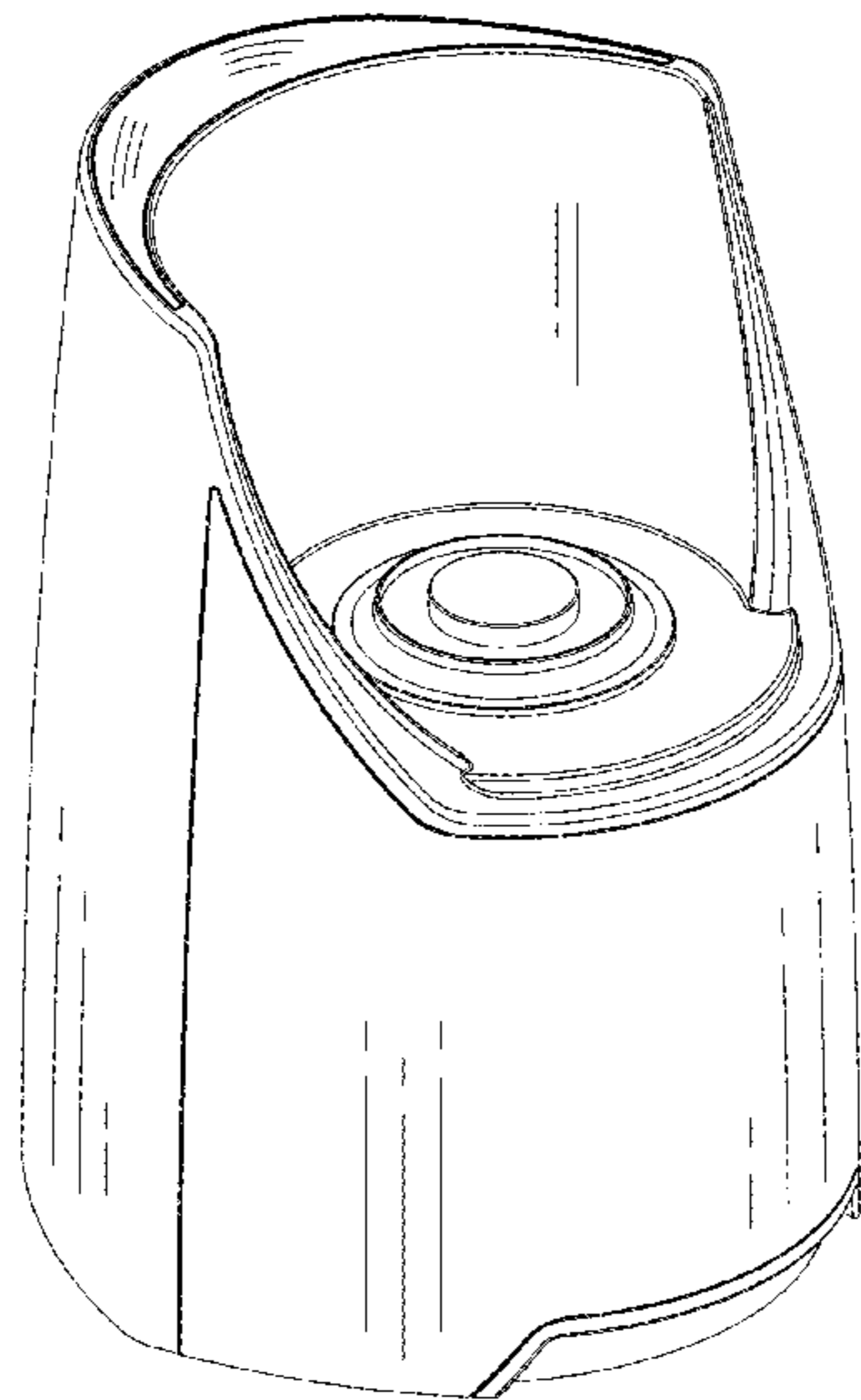
FIG. 5 is a right side elevational view thereof.

FIG. 6 is a top plan view thereof; and,

FIG. 7 is a bottom plan view thereof.

The broken lines in the figures represent features of the article of manufacture that form no part of the claimed design.

1 Claim, 7 Drawing Sheets



(56)

References Cited

U.S. PATENT DOCUMENTS

2013/0255511 A1 10/2013 Steiner
2016/0021924 A1* 1/2016 Kim A47J 19/025
99/513

* cited by examiner

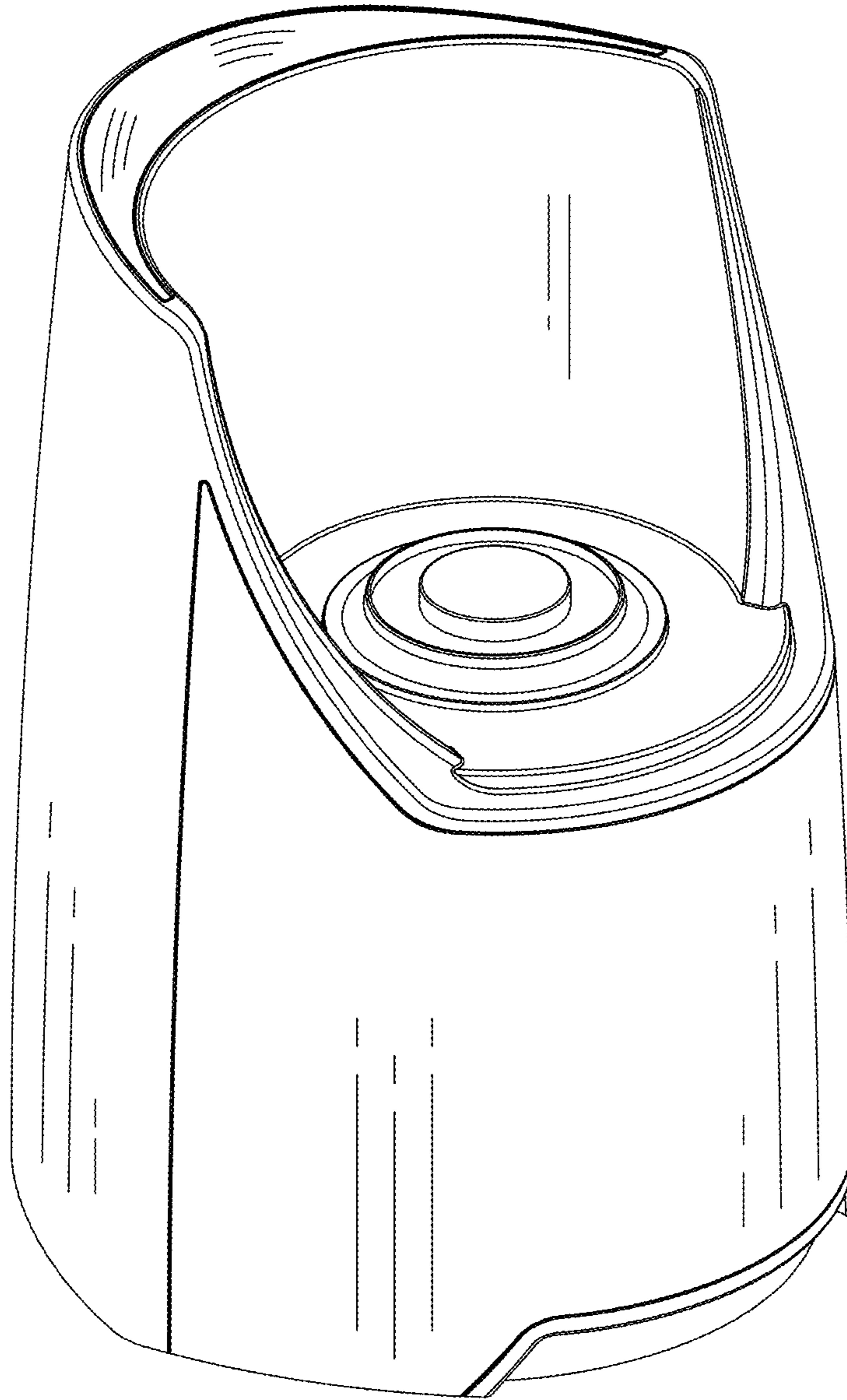


FIG. 1

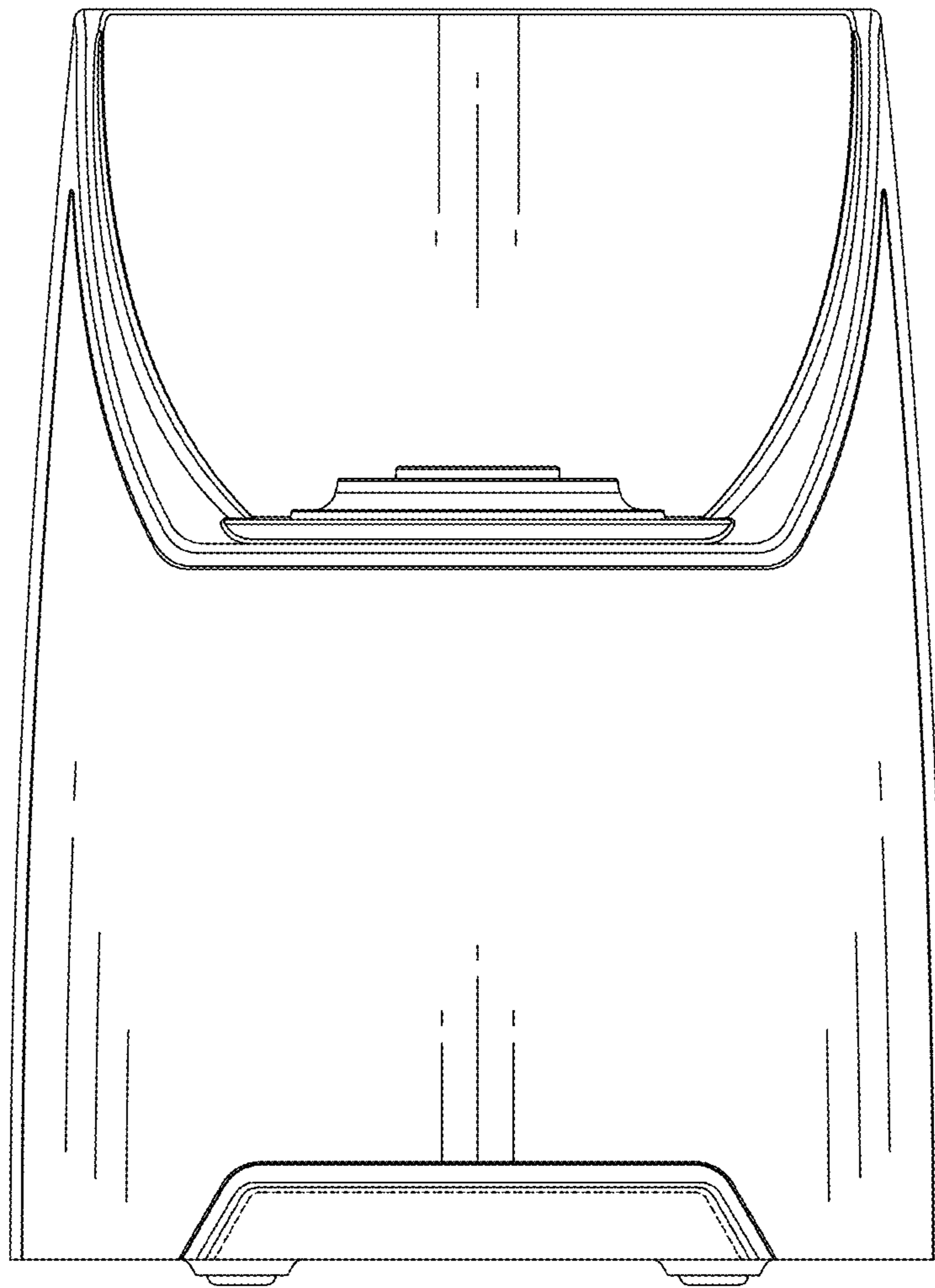


FIG. 2

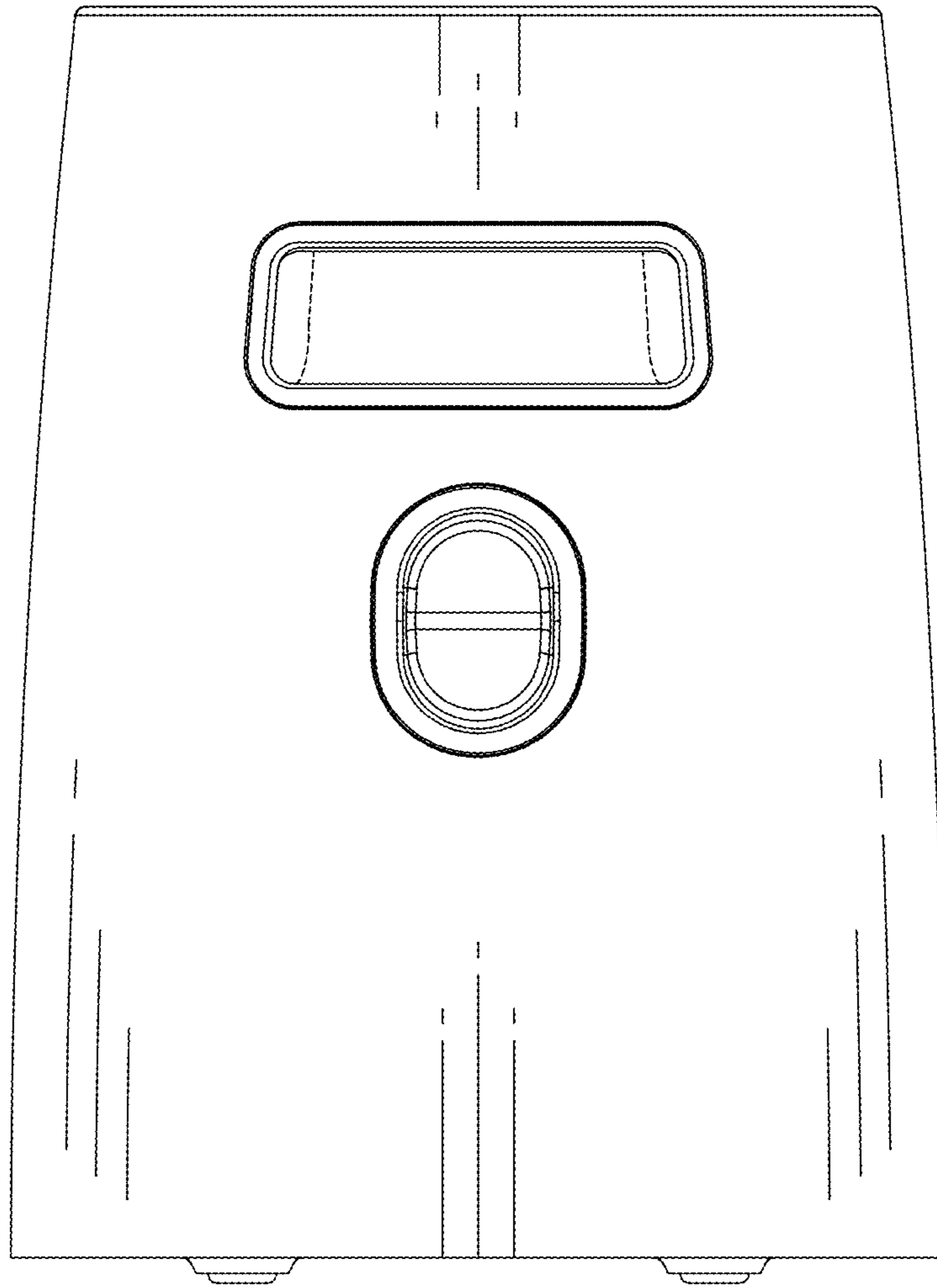


FIG. 3

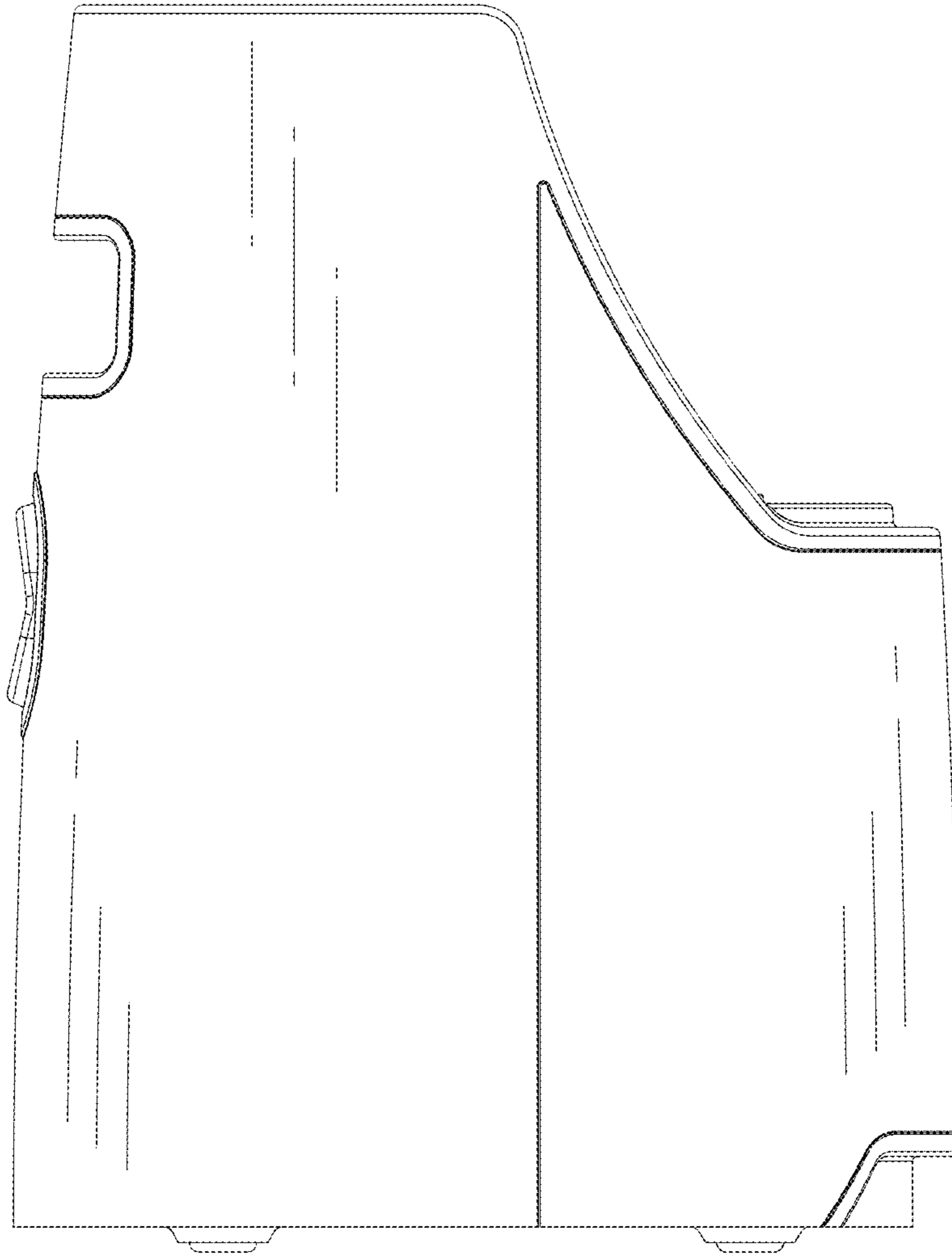


FIG. 4

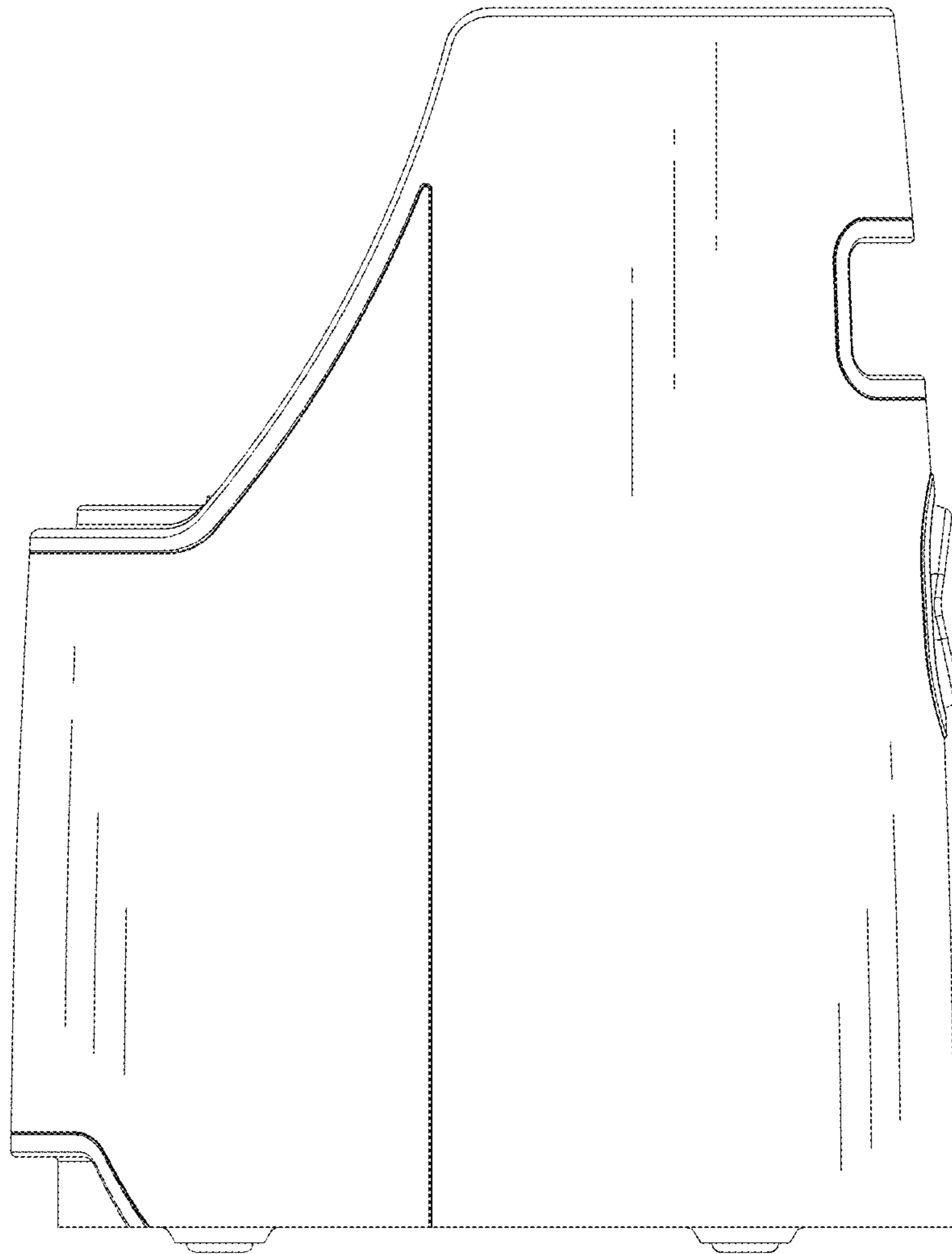


FIG. 5

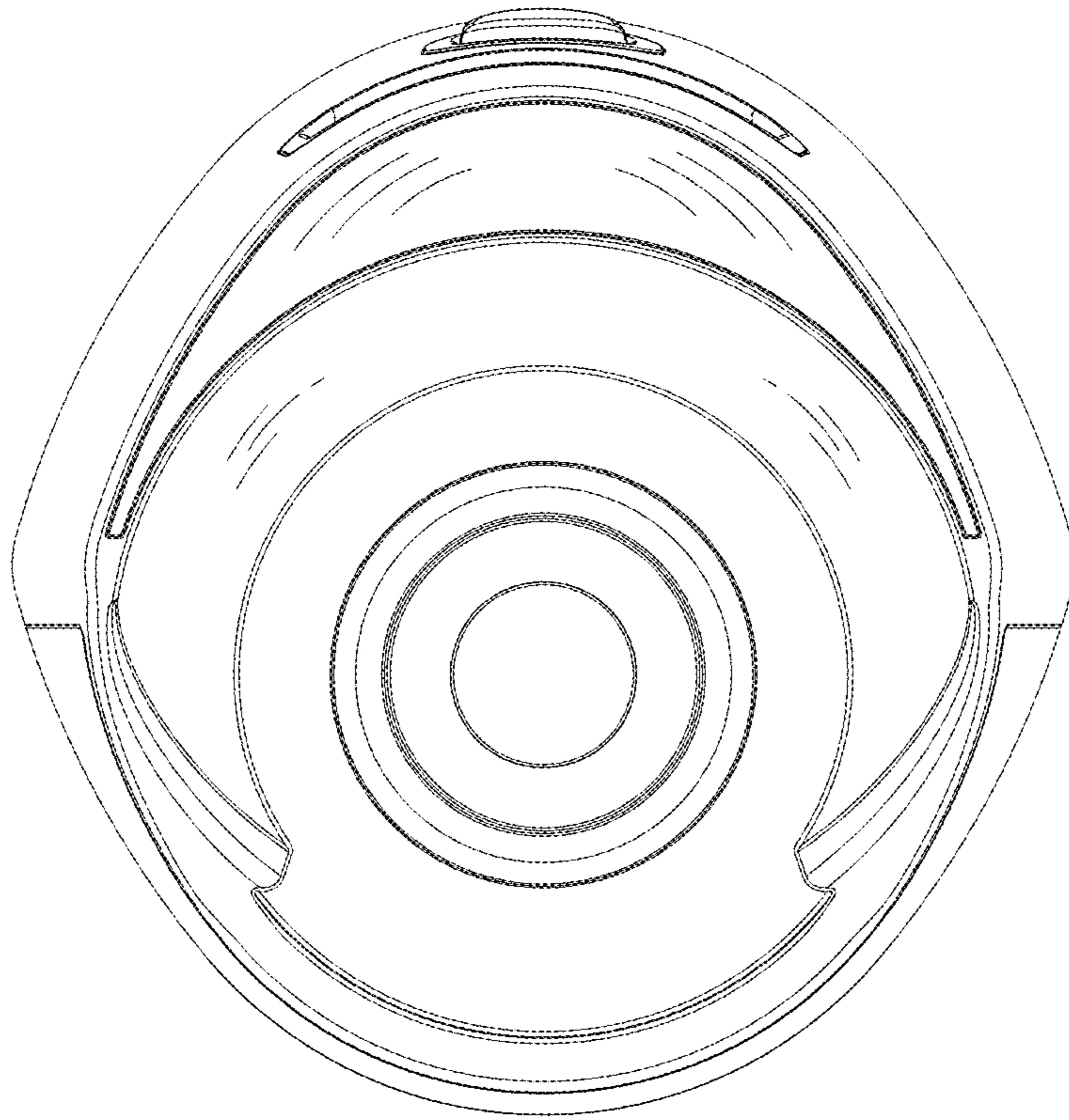


FIG. 6

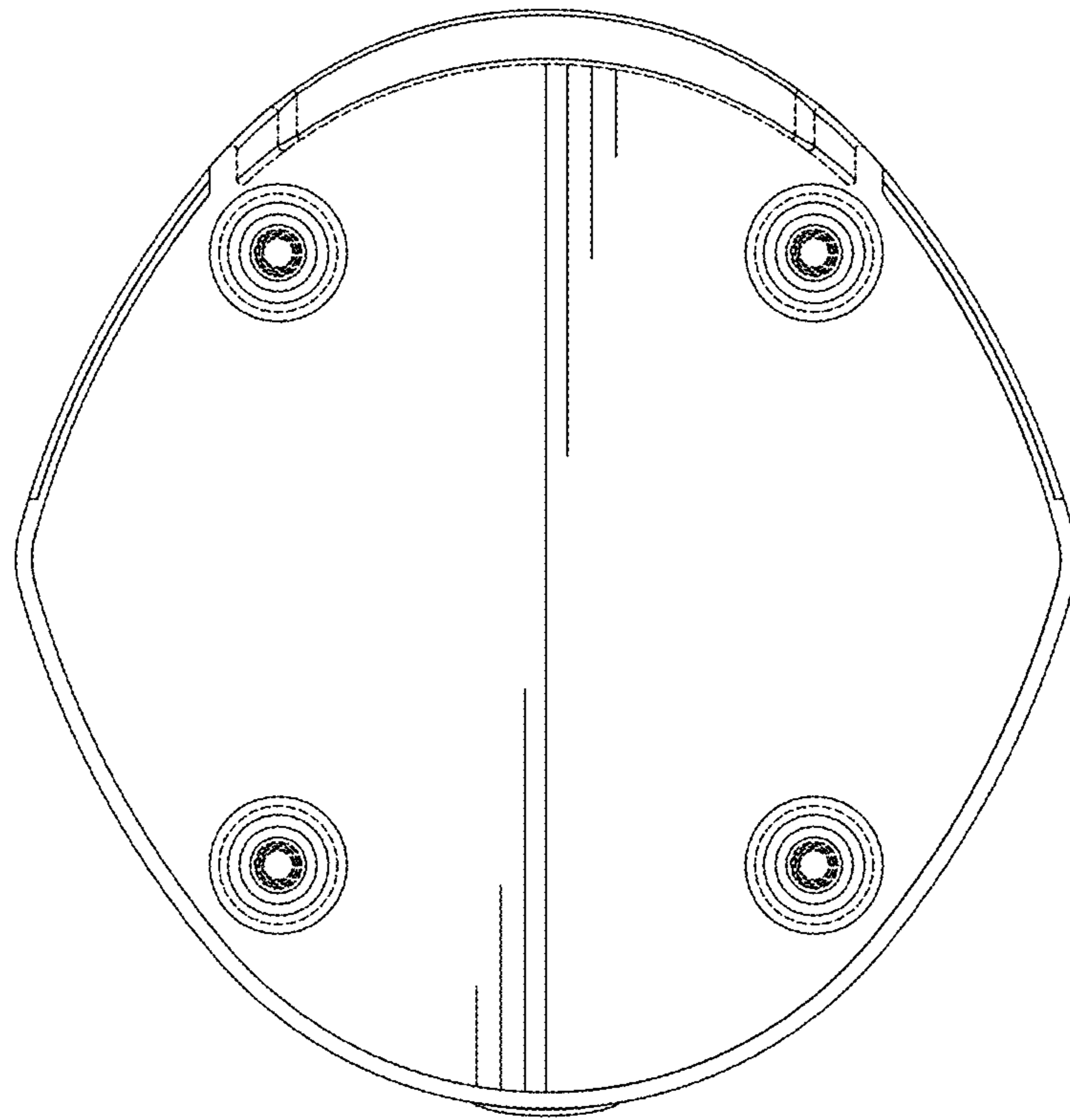


FIG. 7