



US00D804257S

(12) **United States Design Patent** (10) **Patent No.:** **US D804,257 S**
Leggett (45) **Date of Patent:** **** Dec. 5, 2017**

(54) **KNIFE BLOCK** D393,960 S 5/1998 Geier et al.
5,775,518 A * 7/1998 Connor A47G 21/14
211/163
(71) Applicant: **Henry Leggett**, San Francisco, CA D489,939 S 5/2004 Allanson
(US) 6,755,310 B1 * 6/2004 Hilton A47F 1/08
211/194
(72) Inventor: **Henry Leggett**, San Francisco, CA D493,284 S 7/2004 Lee
(US) 6,905,020 B2 * 6/2005 Chang B25H 3/025
206/349
(**) Term: **15 Years** (Continued)

(21) Appl. No.: **29/537,117**

(22) Filed: **Aug. 21, 2015**

(51) **LOC (10) Cl.** **07-99**

(52) **U.S. Cl.**
USPC **D7/637**

(58) **Field of Classification Search**
USPC D7/509, 523, 558, 584, 631, 637-641;
D9/548, 572, 782; 211/1.53, 56, 58, 60,
211/70, 70.7, 77, 78, 131.1, 163;
248/37.3, 37.6
CPC .. A47F 5/16; A47F 7/00; A47G 21/00; A47G
21/14; B26B 3/00; B26B 27/00
See application file for complete search history.

(56) **References Cited**

U.S. PATENT DOCUMENTS

D50,414 S * 3/1917 De Vilbiss D7/597
1,346,909 A * 7/1920 Onufryk A47G 21/14
211/70.6
2,446,016 A * 7/1948 Lessin A47G 21/14
211/70
2,964,201 A * 12/1960 Huffman A47F 5/02
206/818
4,126,366 A * 11/1978 Handler B25H 3/00
108/152
D254,714 S * 4/1980 Mascia D9/767
4,463,856 A * 8/1984 Strasser A47F 5/02
211/163
5,033,232 A * 7/1991 Vaughn A47G 7/08
220/9.4
D323,084 S 1/1992 Macomber Jones

OTHER PUBLICATIONS

Joseph Joseph 6-Piece Knife Set with Rotating Knife Block, announced Aug. 2012, [online], site visited Sep. 29, 2016. Available from Internet, <URL: <http://www.amazon.com>>.*

(Continued)

Primary Examiner — Derrick Holland
Assistant Examiner — Janice Lim
(74) *Attorney, Agent, or Firm* — Quine Intellectual Property Law Group, P.C.

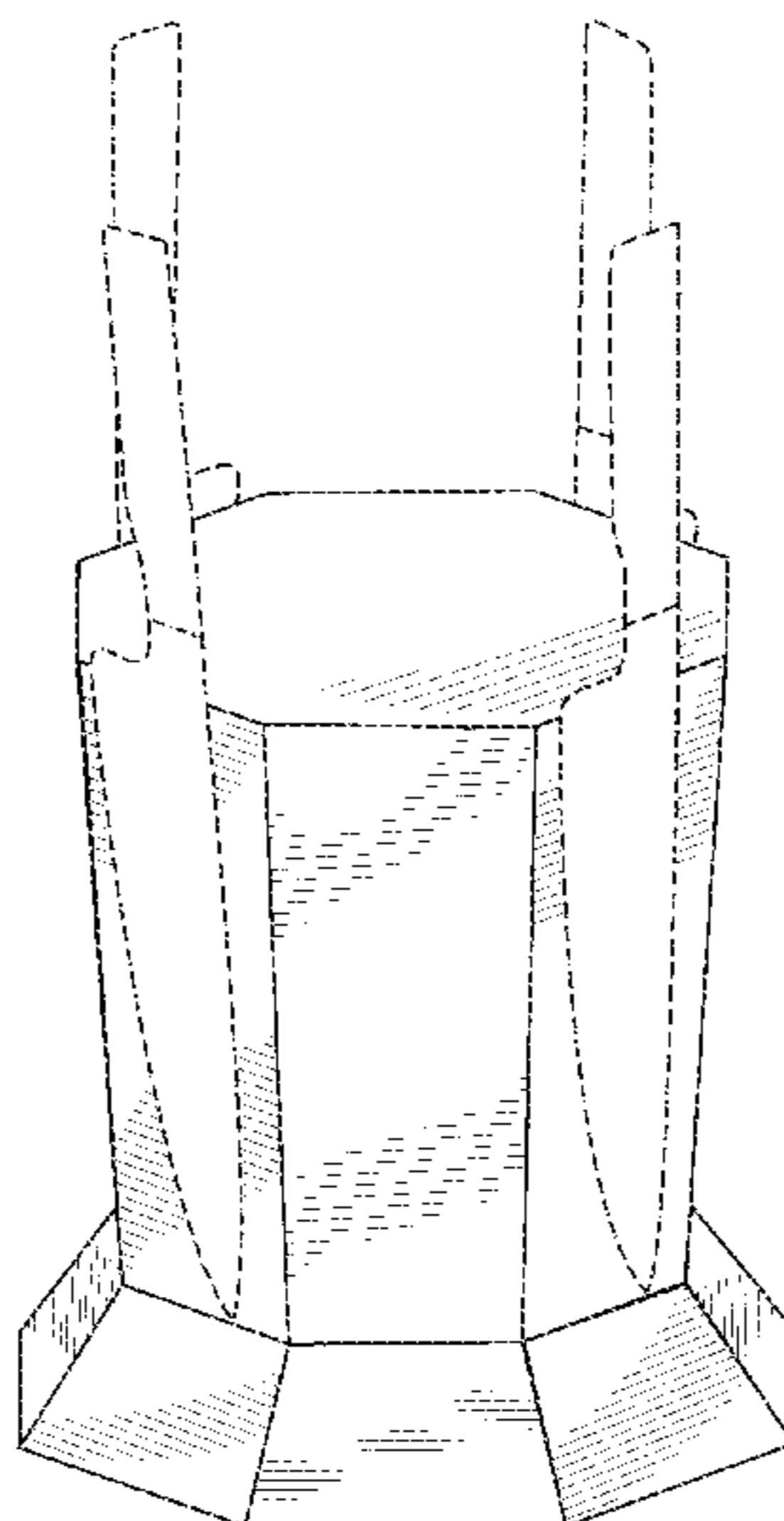
(57) **CLAIM**

The ornamental design for a knife block, as shown and described.

DESCRIPTION

FIG. 1 is a side perspective view of a knife block showing my new design;
FIG. 2 is a front elevation view thereof, and the rear elevation view being a mirror image thereof;
FIG. 3 is a side elevation view thereof, and the opposite side elevation view being a mirror image thereof; and,
FIG. 4 is a top plan view thereof.
The broken line knives of FIG. 1 show unclaimed environmental subject matter only and form no part of the claimed design. The broken line portions of FIGS. 2 and 3 show unclaimed subject matter only and form no part of the claimed design.

1 Claim, 4 Drawing Sheets



(56)

References Cited

U.S. PATENT DOCUMENTS

D534,372 S 1/2007 Babbino et al.
D574,192 S * 8/2008 Schosser D7/509
D702,087 S * 4/2014 Steel D7/300.1
2008/0011697 A1* 1/2008 Berg A47B 49/00
211/78

OTHER PUBLICATIONS

“360 Knife Block—Kickstarter Video”, Design Trifecta, Henry Leggett; Published Aug. 5, 2015 https://www.youtube.com/watch?v=RSTpl_sBJZk.

* cited by examiner

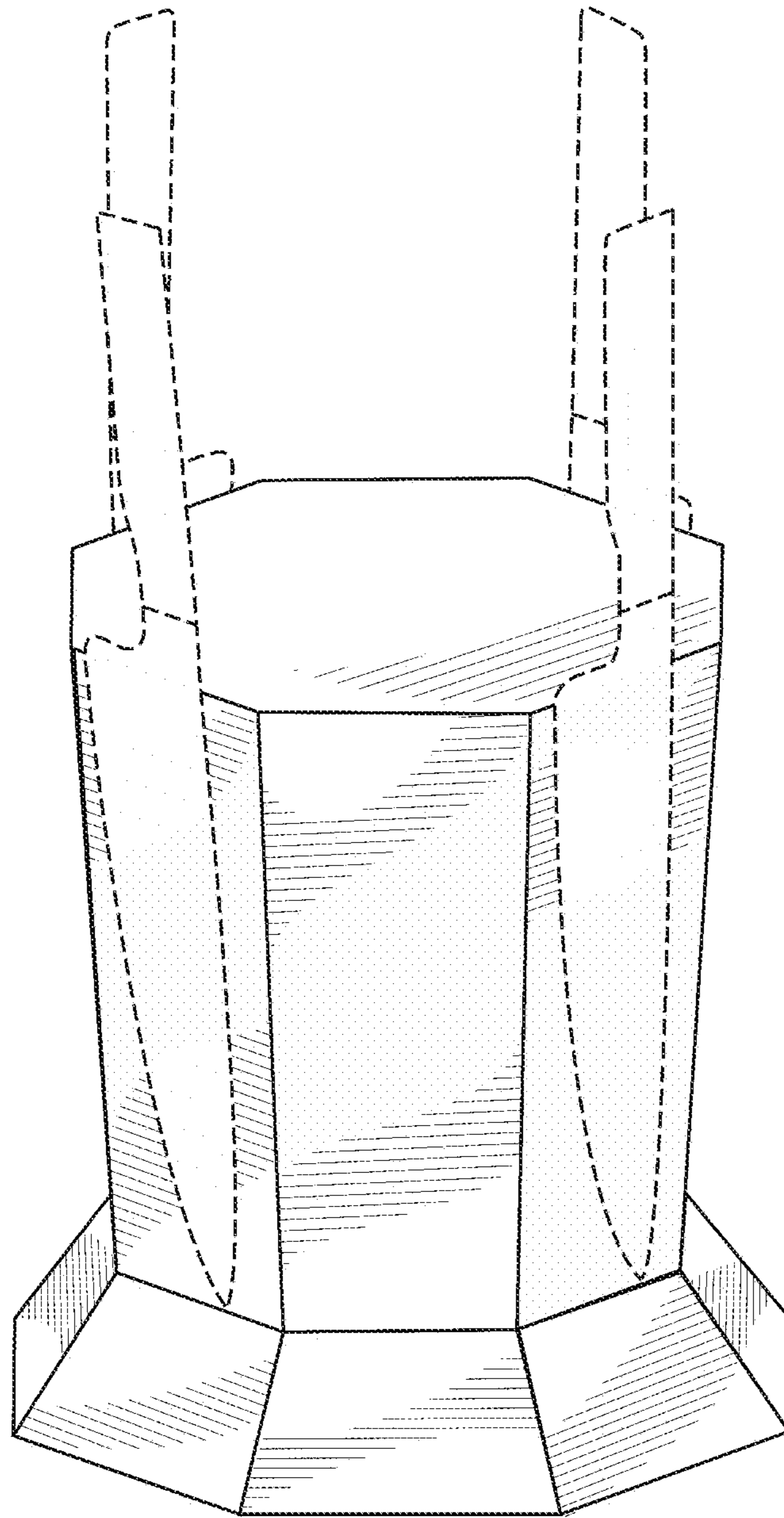


Fig. 1

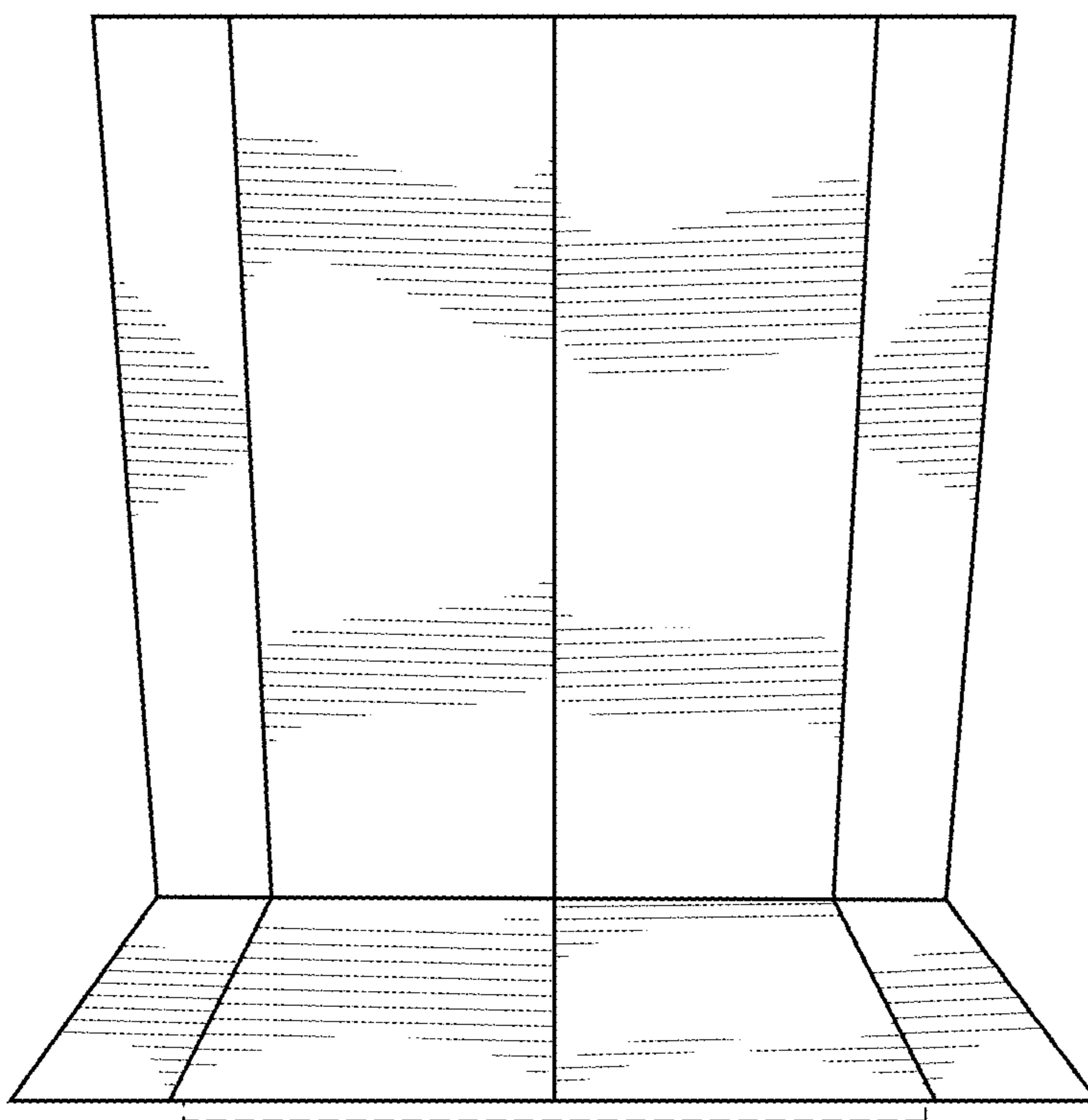


Fig. 2

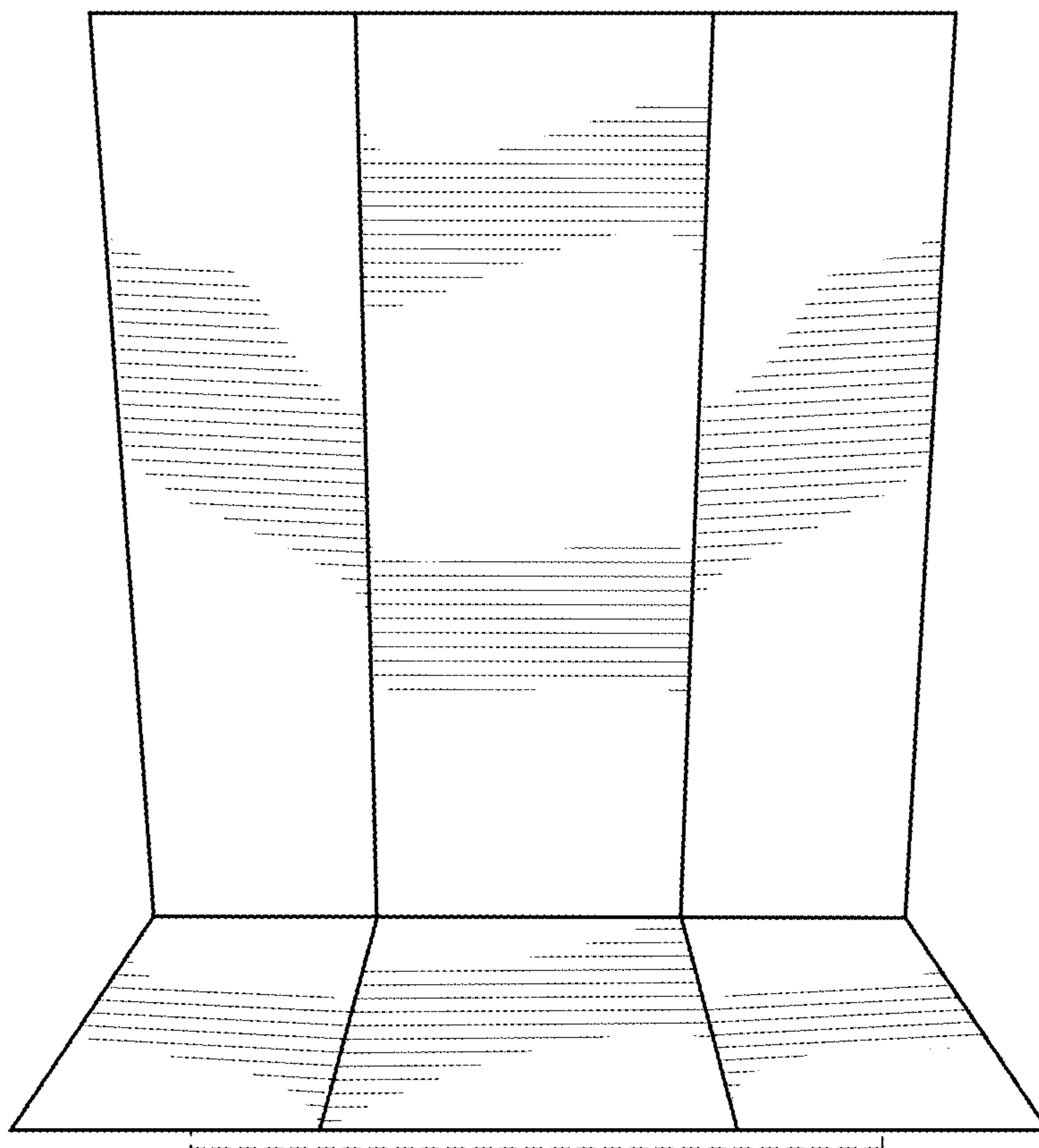


Fig. 3

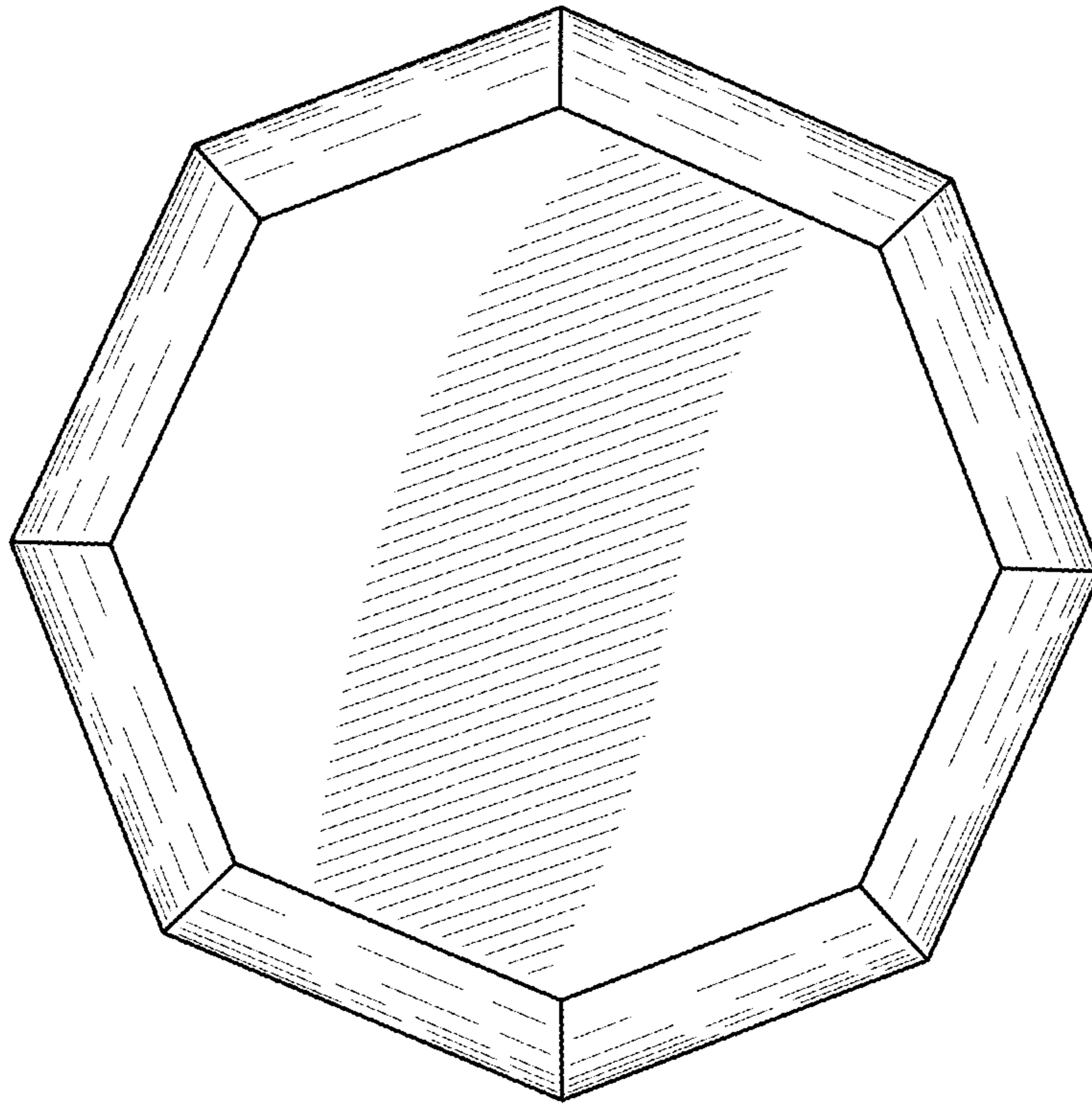


Fig. 4