



US00D804252S

(12) **United States Design Patent**
Guthrie

(10) **Patent No.:** **US D804,252 S**

(45) **Date of Patent:** **** Dec. 5, 2017**

(54) **BEVERAGE CONTAINER**

(71) Applicant: **Pacific Market International, LLC**,
Seattle, WA (US)

(72) Inventor: **Emily Claire Guthrie**, Seattle, WA
(US)

(73) Assignee: **Pacific Market International, LLC**,
Seattle, WA (US)

(**) Term: **15 Years**

(21) Appl. No.: **29/567,152**

(22) Filed: **Jun. 6, 2016**

(51) **LOC (10) Cl.** **07-01**

(52) **U.S. Cl.**
USPC **D7/523**; D7/624.2; D7/396.2

(58) **Field of Classification Search**
USPC D7/507, 509, 510, 511, 523, 529, 530,
D7/532, 392.1, 396.2, 608, 599, 598, 397,
D7/589, 316, 624.1, 624.2; D9/444, 567,
D9/552, 554, 555, 565, 568, 571;
220/592.16, 592.17, 200
CPC A47G 19/22; A47G 19/2205; A45F 3/16;
Y10S 220/903

See application file for complete search history.

(56) **References Cited**

U.S. PATENT DOCUMENTS

D85,152 S *	9/1931	Beatty	65/61
3,872,994 A *	3/1975	Hyde	B65D 7/42
			215/383
4,414,836 A *	11/1983	Saunders	B21D 22/22
			72/348
D286,604 S *	11/1986	Bierlein	D11/152
D297,089 S *	8/1988	West	D7/523
5,100,017 A *	3/1992	Ishinabe	B21D 51/2646
			220/669
D383,947 S *	9/1997	Schaefer	220/739
D586,182 S *	2/2009	Trombly	D7/509

D607,698 S *	1/2010	Tsukida	D7/608
D634,212 S *	3/2011	Kruetzkamp	D9/690
D643,689 S *	8/2011	Selina	D7/607
D651,853 S *	1/2012	Eyal	D7/510
D654,762 S *	2/2012	Gilbert	D7/510
D656,365 S *	3/2012	Bickert	D7/523
D662,362 S *	6/2012	Bickert	D7/510
D683,186 S *	5/2013	Tobias	D7/510
D726,500 S *	4/2015	Ke	D7/523
D729,012 S *	5/2015	Ke	D7/512
D751,863 S *	3/2016	Eyal	D7/507
D755,571 S *	5/2016	Cheng	D7/523
D774,836 S *	12/2016	Bussey, Jr.	D7/607
D775,897 S *	1/2017	Knox	D7/509
D777,512 S *	1/2017	Lu	D7/396.4

(Continued)

Primary Examiner — Marianne Pandozzi

Assistant Examiner — Jae Liang

(74) *Attorney, Agent, or Firm* — George C. Rondeau, Jr.;
Davis Wright Tremaine LLP

(57) **CLAIM**

The ornamental design for a beverage container, as shown and described.

DESCRIPTION

FIG. 1 is a top perspective view of a beverage container showing my new design;

FIG. 2 is a bottom perspective view thereof;

FIG. 3 is a front elevational view thereof;

FIG. 4 is a right side elevational view thereof;

FIG. 5 is a rear elevational view thereof;

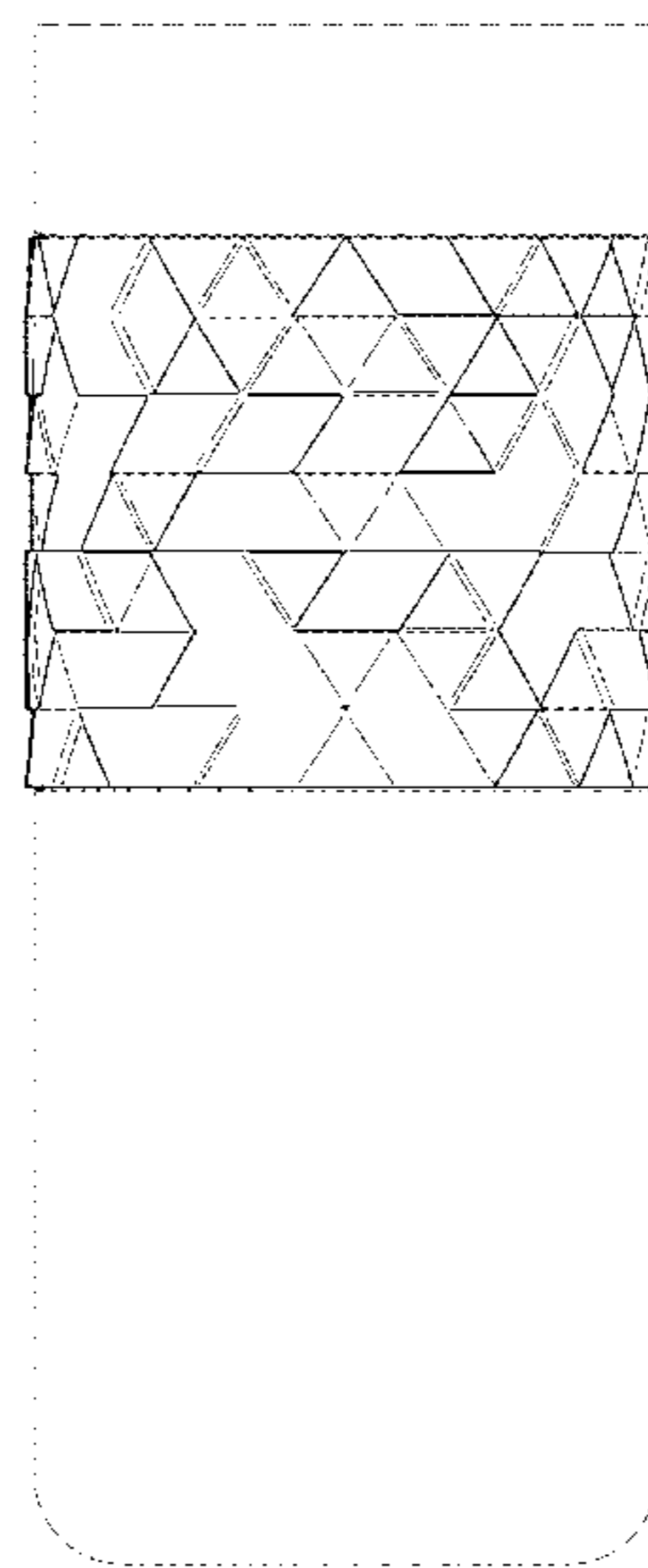
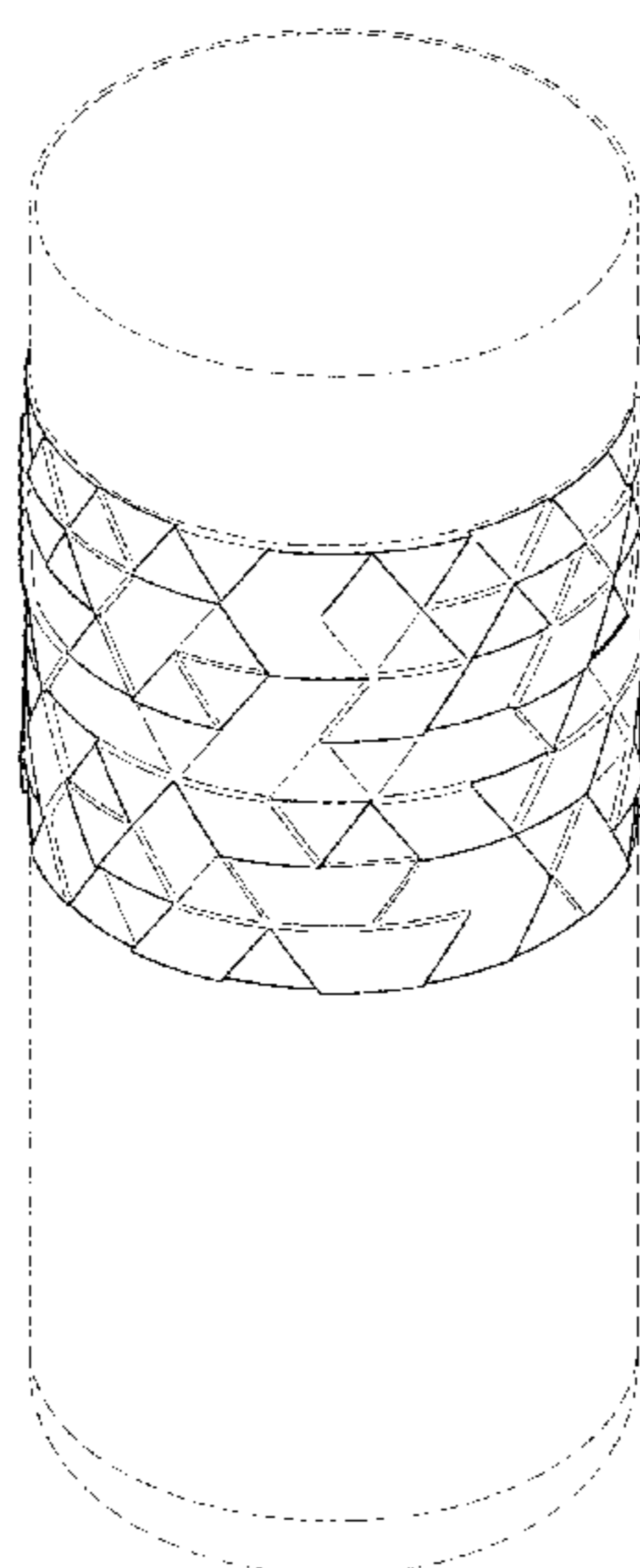
FIG. 6 is a left side elevational view thereof;

FIG. 7 is a top plan view thereof; and,

FIG. 8 is a bottom plan view thereof.

The broken lines in the drawing depict portions of the beverage container that form no part of the claimed design.

1 Claim, 7 Drawing Sheets



(56)

References Cited

U.S. PATENT DOCUMENTS

2002/0038771 A1* 4/2002 Miura A63B 55/00
206/315.8

* cited by examiner

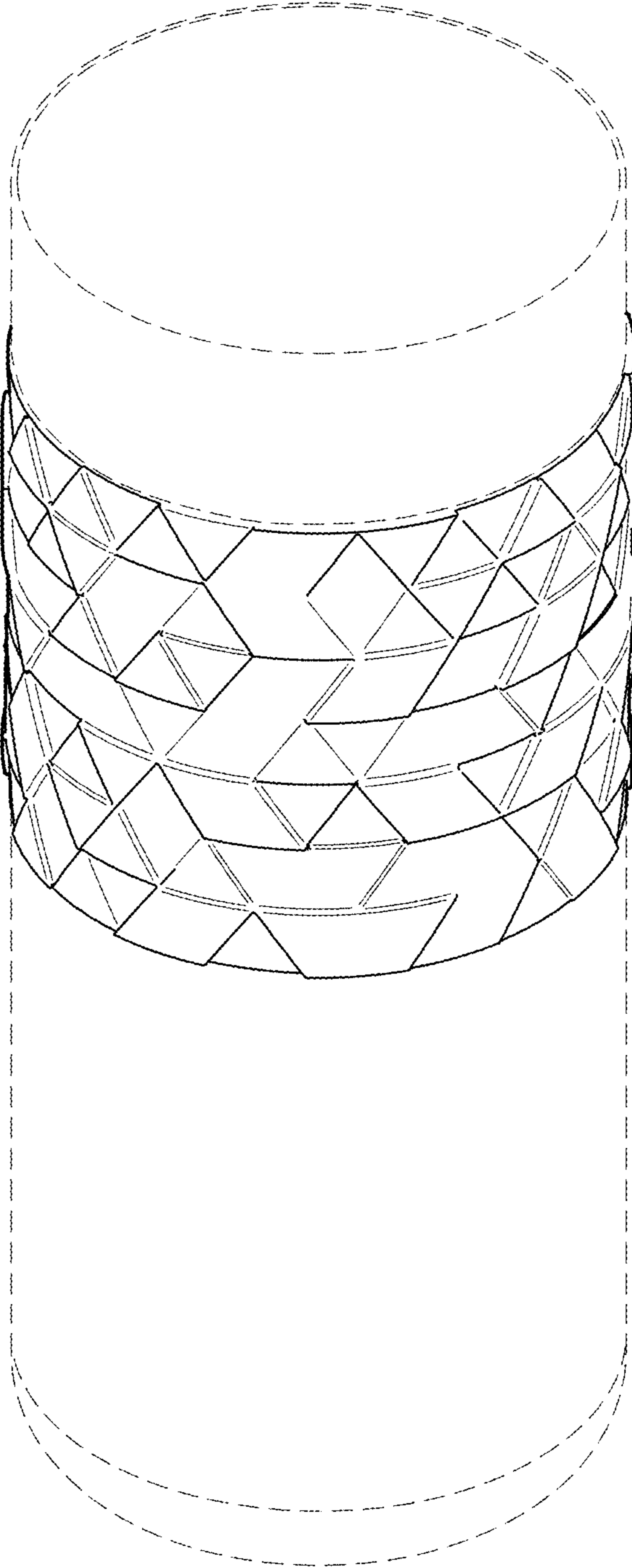


FIG. 1

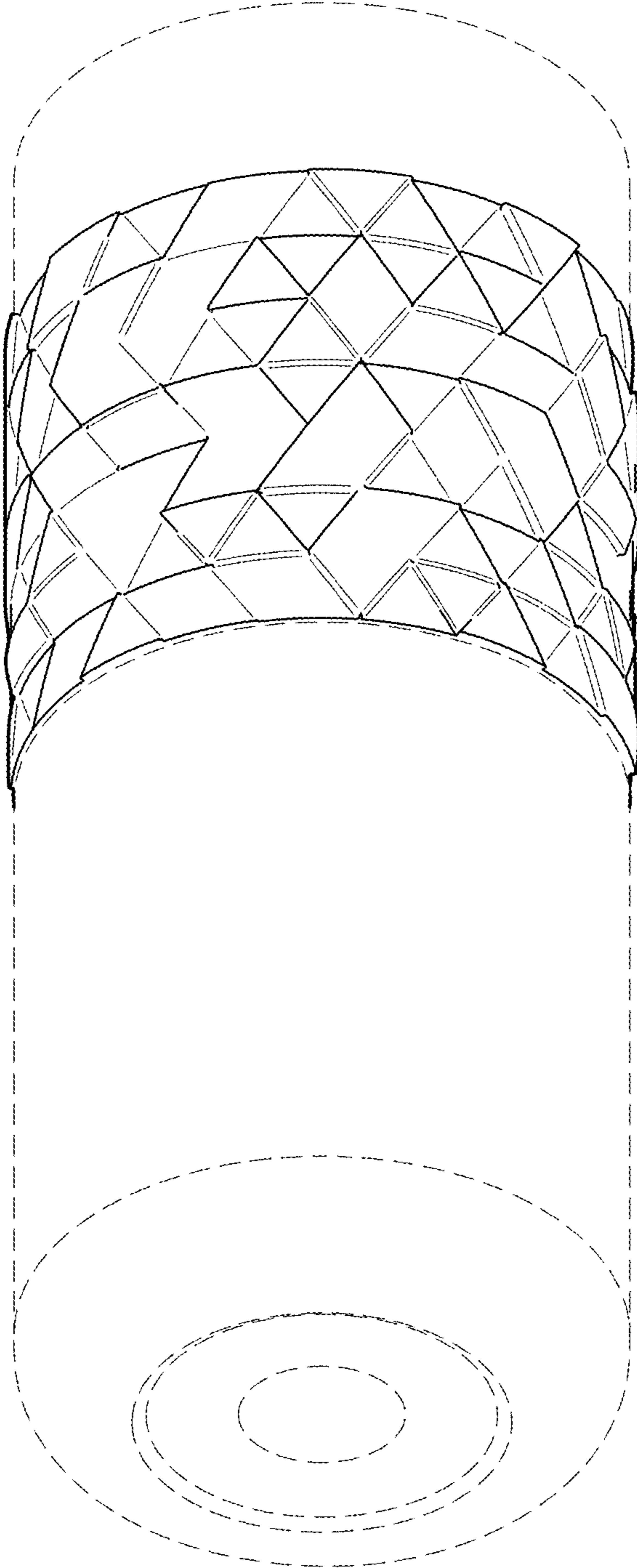


FIG. 2

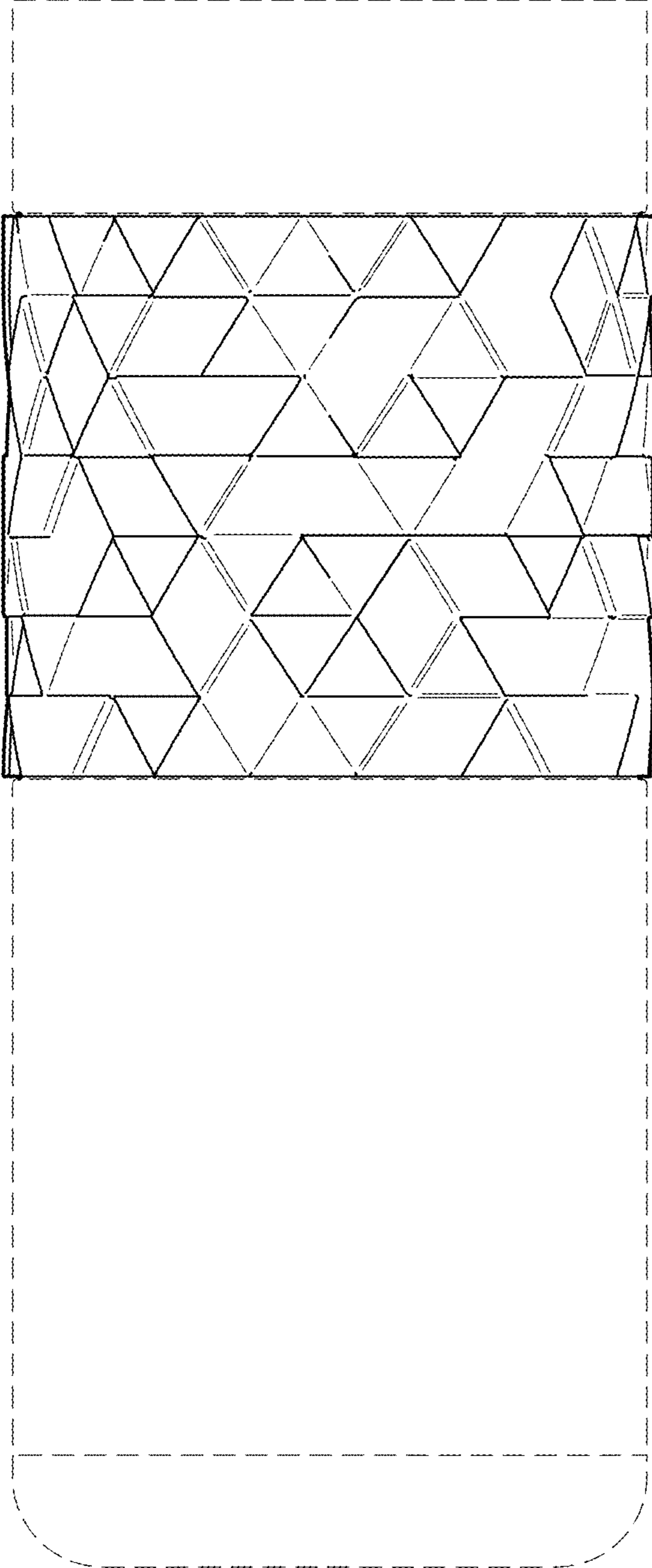


FIG. 3

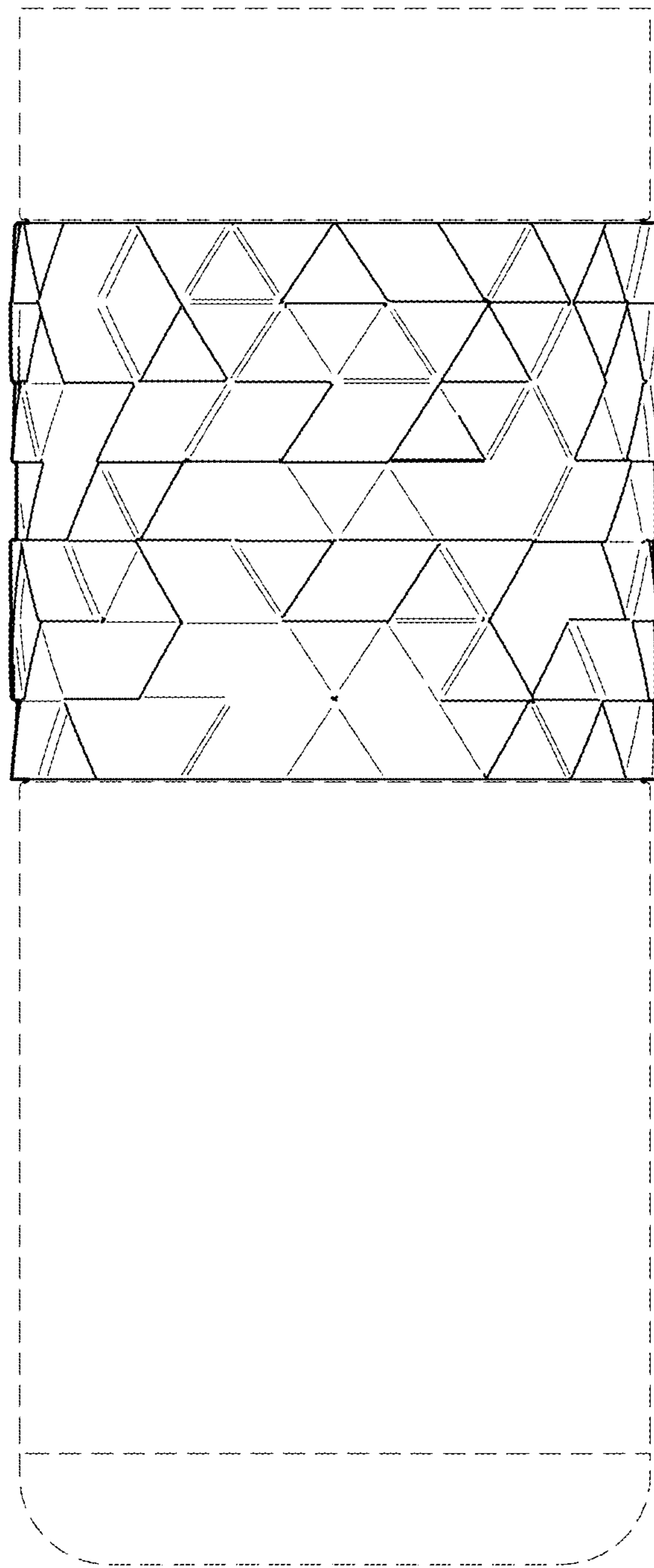


FIG. 4

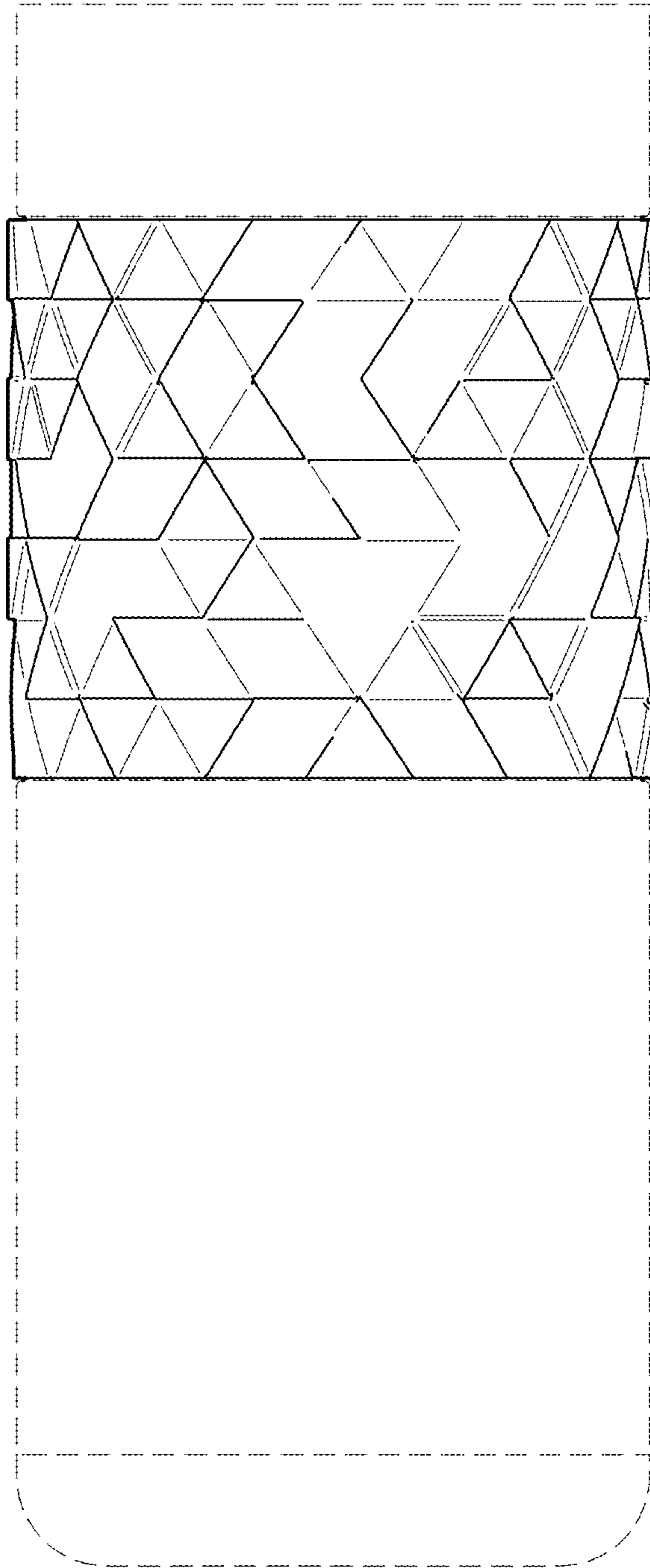


FIG. 5

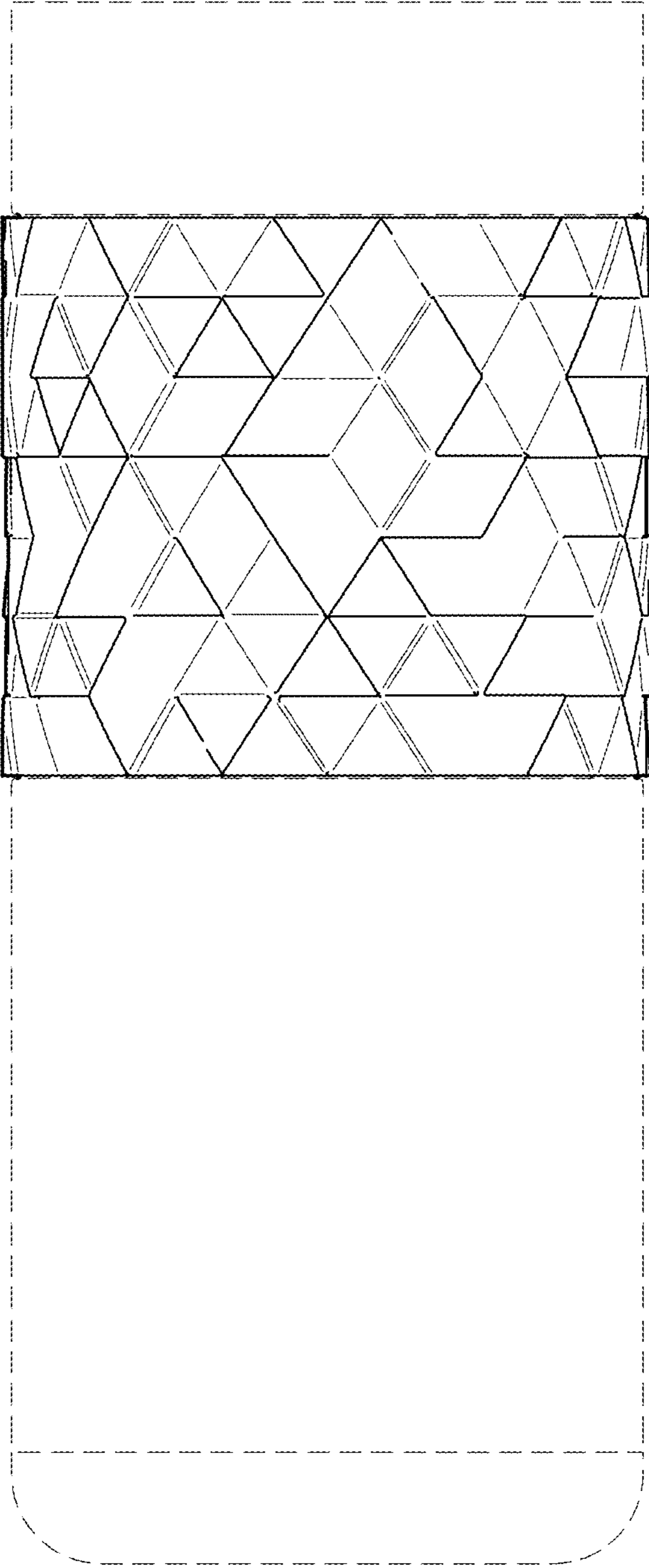


FIG. 6

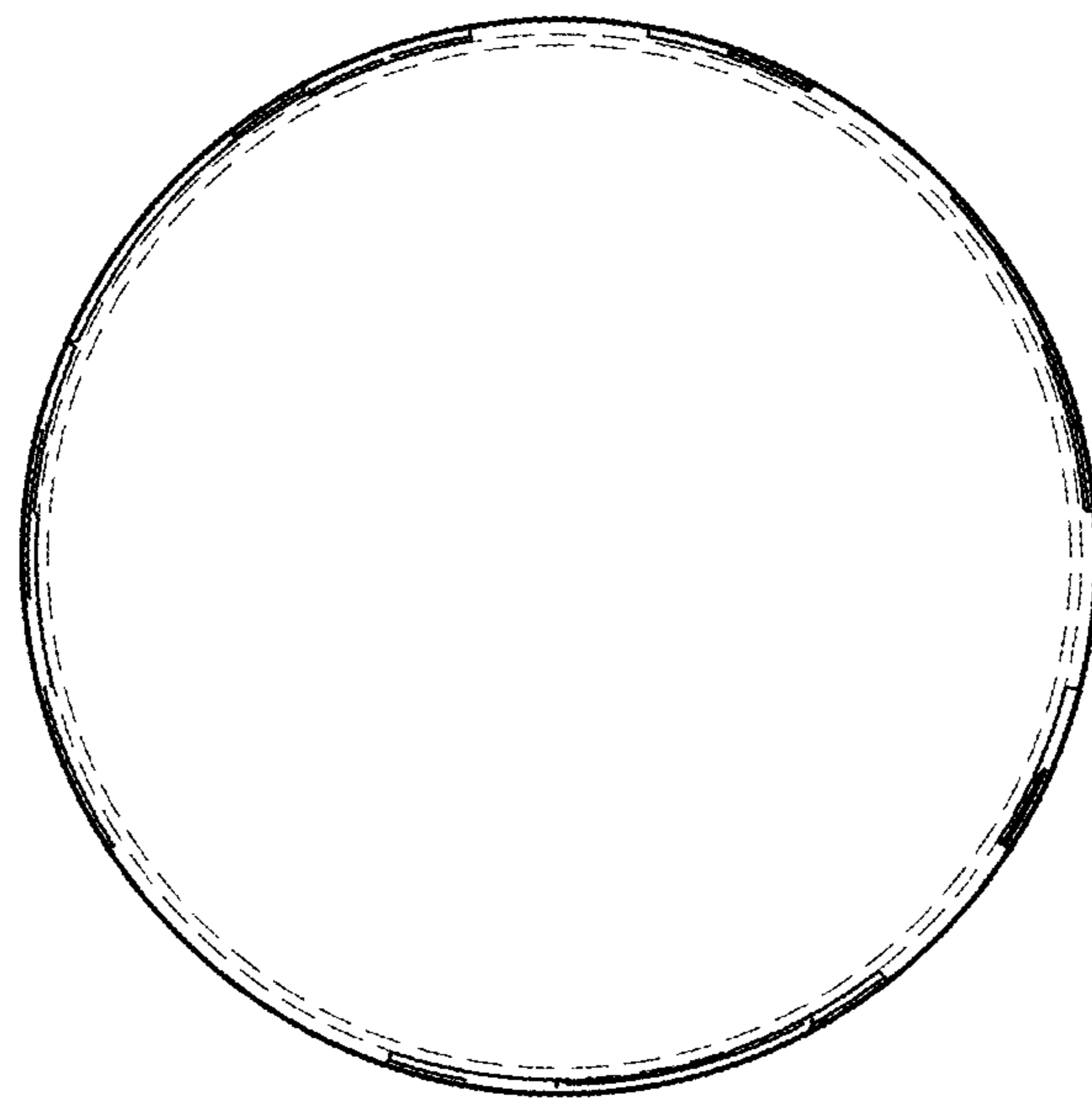


FIG. 7

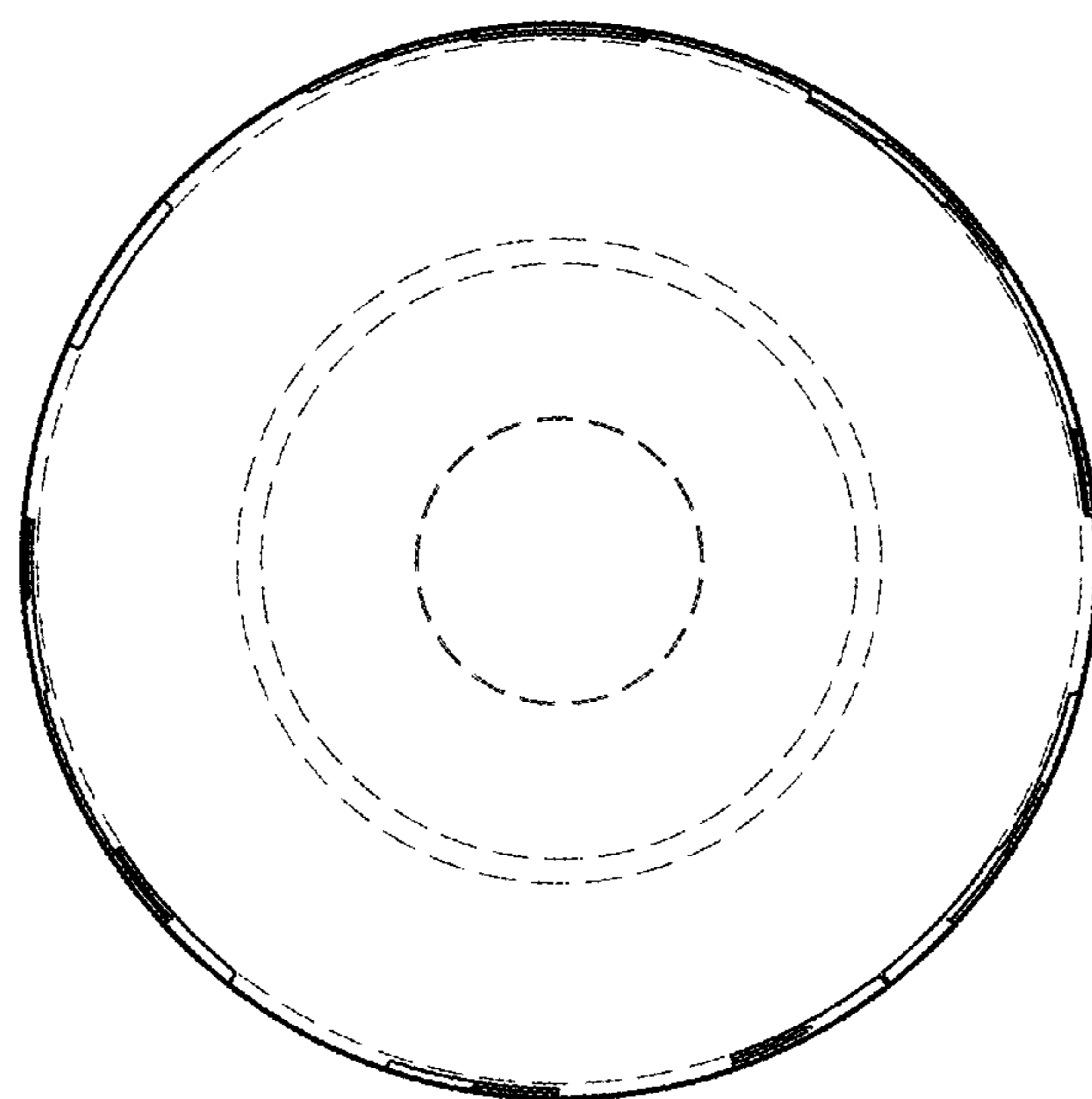


FIG. 8