



US00D804251S

(12) **United States Design Patent** (10) **Patent No.:** **US D804,251 S**  
**Jenkins** (45) **Date of Patent:** **\*\* Dec. 5, 2017**

(54) **NARROW WIDTH FOOTBALL HELMET  
CANTEEN**

(71) Applicant: **Kenneth W. Jenkins**, College Park, GA  
(US)

(72) Inventor: **Kenneth W. Jenkins**, College Park, GA  
(US)

(\*\*) Term: **15 Years**

(21) Appl. No.: **29/569,035**

(22) Filed: **Jun. 23, 2016**

(51) **LOC (10) Cl.** ..... **07-01**

(52) **U.S. Cl.**  
USPC ..... **D7/515**; D3/202; D9/618

(58) **Field of Classification Search**  
USPC ..... D7/515, 514, 533, 536, 608, 606, 901;  
215/236; D9/668, 618; D3/202  
CPC ..... F41A 17/22; A47G 23/0233; A47G 23/02;  
A47G 19/2227  
See application file for complete search history.

(56) **References Cited**

**U.S. PATENT DOCUMENTS**

D243,578 S *	3/1977	Danat	.....	D7/515
D250,444 S *	12/1978	Danat	.....	D7/515
D251,226 S *	3/1979	Danat	.....	D7/517
D327,817 S *	7/1992	Paullin	.....	D7/510
D337,242 S *	7/1993	Steinfels, III	.....	D7/514
D344,659 S *	3/1994	Hsu	.....	D7/514
D363,855 S *	11/1995	Van Blankenburg	.....	D7/515
D365,680 S *	1/1996	Steinfels, III	.....	D3/271.4
5,511,685 A *	4/1996	Nelson	.....	A47G 19/2227 220/662
D369,529 S *	5/1996	Blankenburg	.....	D29/106
D370,836 S *	6/1996	Van Blankenburg	.....	D29/106
D399,393 S *	10/1998	Steinfels	.....	D7/515
D405,318 S *	2/1999	Steinfels	.....	D7/515
D419,880 S *	2/2000	Adams	.....	D9/449
D440,823 S *	4/2001	Steinfels	.....	D7/515
D441,255 S *	5/2001	Steinfels	.....	D7/515

D441,607 S *	5/2001	Steinfels	.....	D7/515
D460,441 S *	7/2002	Neil	.....	D14/232
D476,804 S *	7/2003	Bond	.....	D3/202
D563,825 S *	3/2008	Cash	.....	D11/157
D566,461 S *	4/2008	McDonald	.....	D7/398
D585,327 S *	1/2009	Jenkins	.....	D11/157
D586,621 S *	2/2009	Thompson	.....	D7/515
D596,462 S *	7/2009	Serruya	.....	D7/510
D660,176 S *	5/2012	Moretti	.....	D9/620
D673,811 S *	1/2013	Roudybush	.....	D7/510
D710,651 S *	8/2014	Obioha	.....	D7/510

(Continued)

**OTHER PUBLICATIONS**

Drawings in Copyright Reg. No. VAU001055248, football helmet display.

*Primary Examiner* — Marianne Pandozzi  
(74) *Attorney, Agent, or Firm* — Renner Kenner Greive  
Bobak Taylor & Weber

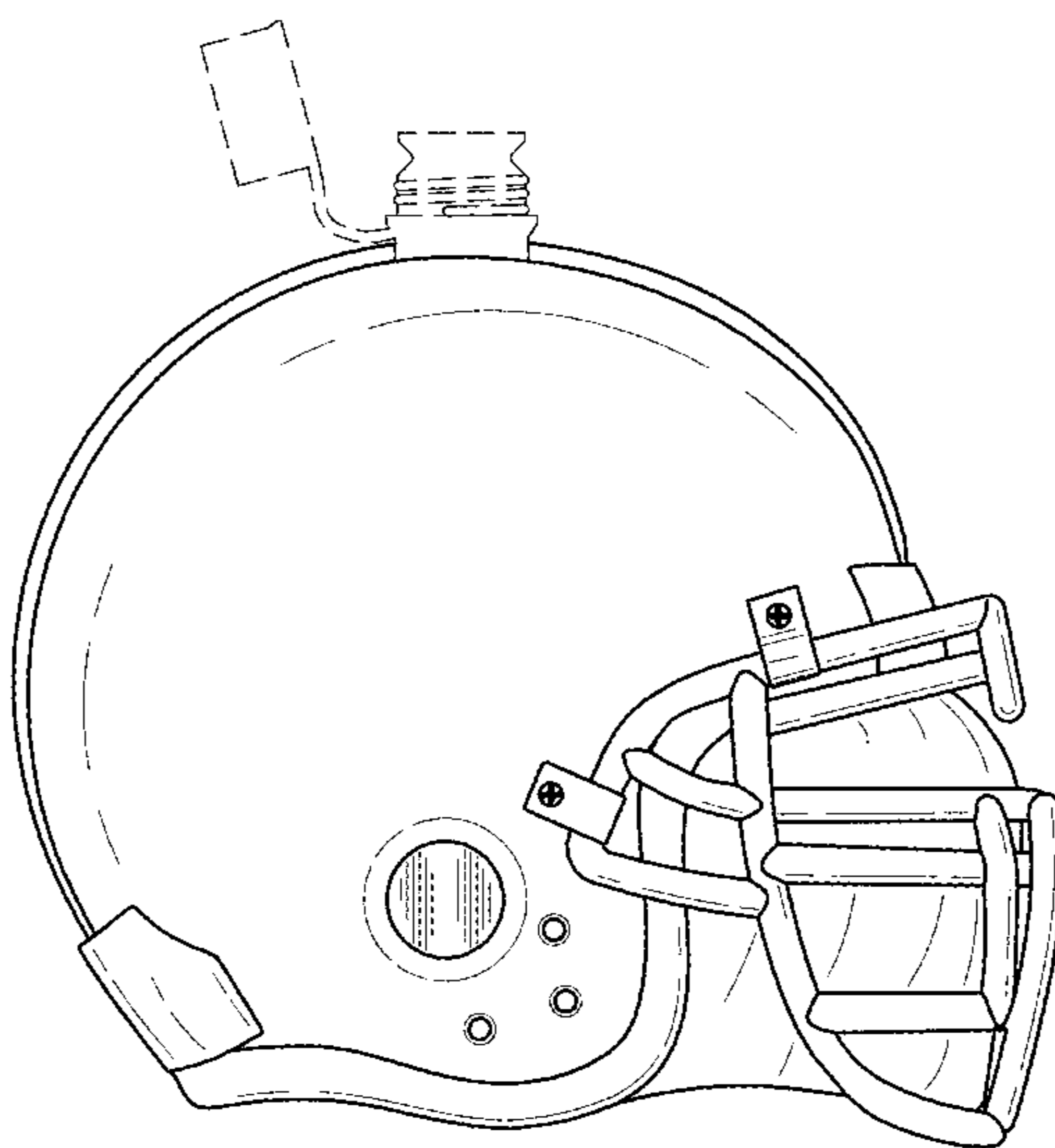
(57) **CLAIM**

The ornamental design for a narrow width football helmet canteen, as shown and described.

**DESCRIPTION**

FIG. 1 is a right side elevational view of the narrow width football helmet canteen showing our new design; FIG. 2 is a front elevational view thereof; FIG. 3 is a rear elevational view thereof; FIG. 4 is a top plan view thereof wherein a portion of the inside surface is shown viewed through the open cap; and, FIG. 5 is a right side elevational view thereof with a partial sectional cut out broken away for ease of illustration cut down a portion of the central axis showing a portion of the interior. The broken lines in the drawing depict portions of the narrow width football helmet canteen that form no part of the claimed design.

**1 Claim, 4 Drawing Sheets**



(56)

**References Cited**

U.S. PATENT DOCUMENTS

D727,744 S \* 4/2015 Rose ..... D9/668  
D771,499 S \* 11/2016 Konieczny ..... D9/618  
D775,895 S \* 1/2017 Mayberry ..... D7/515  
9,657,259 B2 \* 5/2017 Kim ..... C12M 23/08

\* cited by examiner

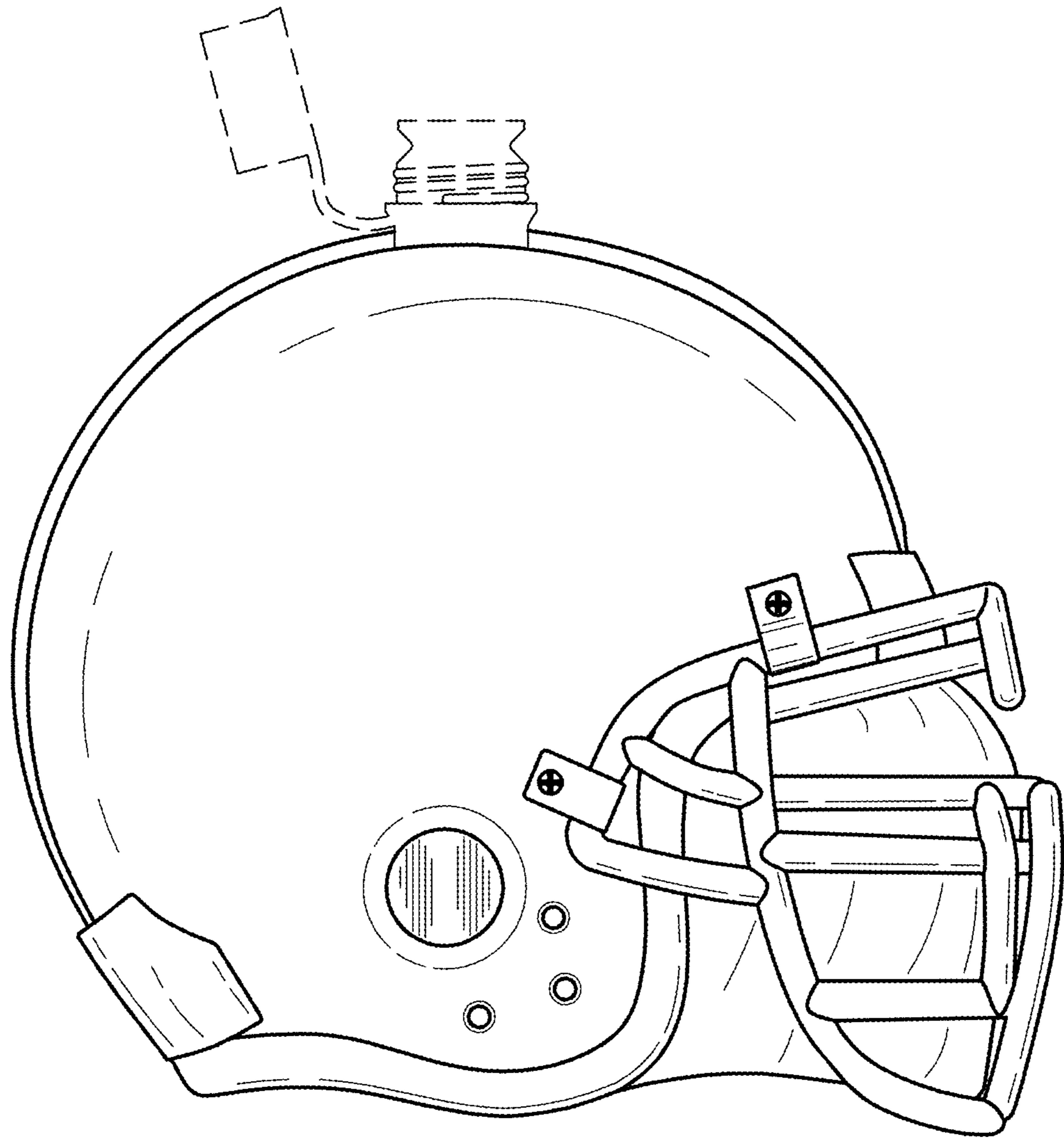


FIG. 1

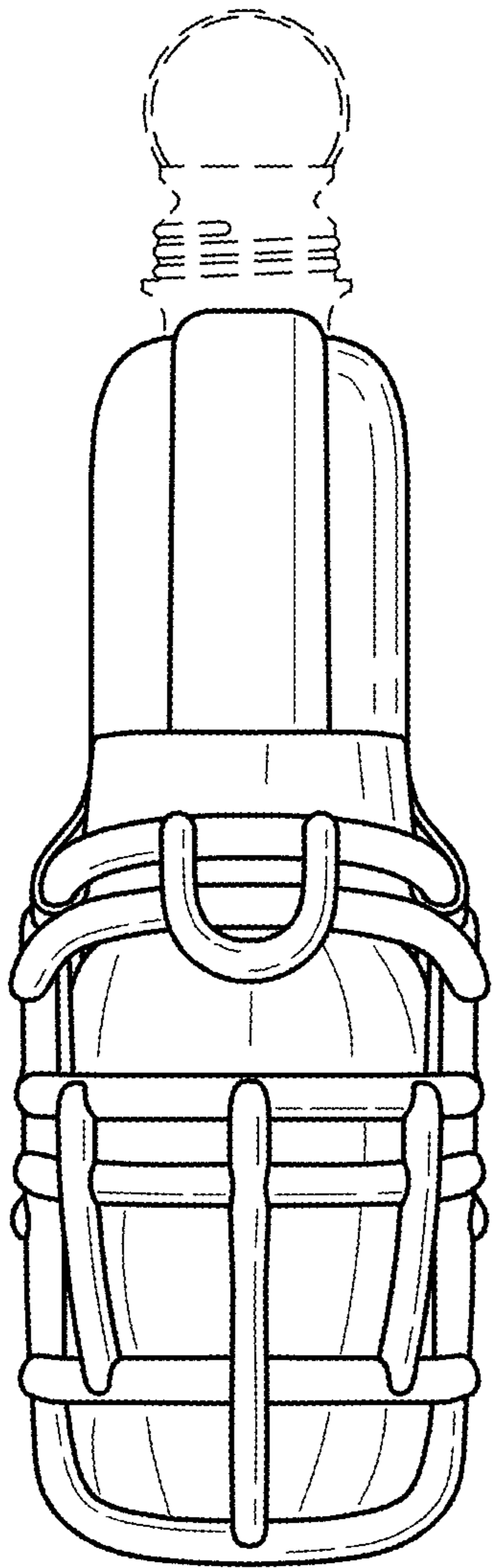


FIG. 2

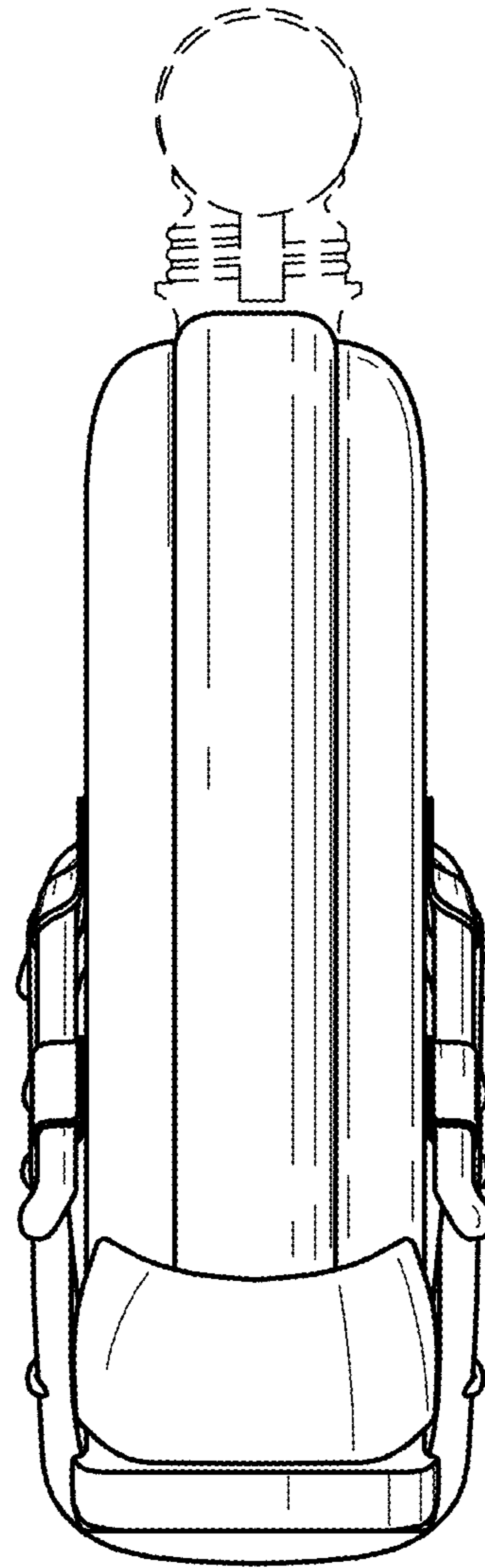


FIG. 3

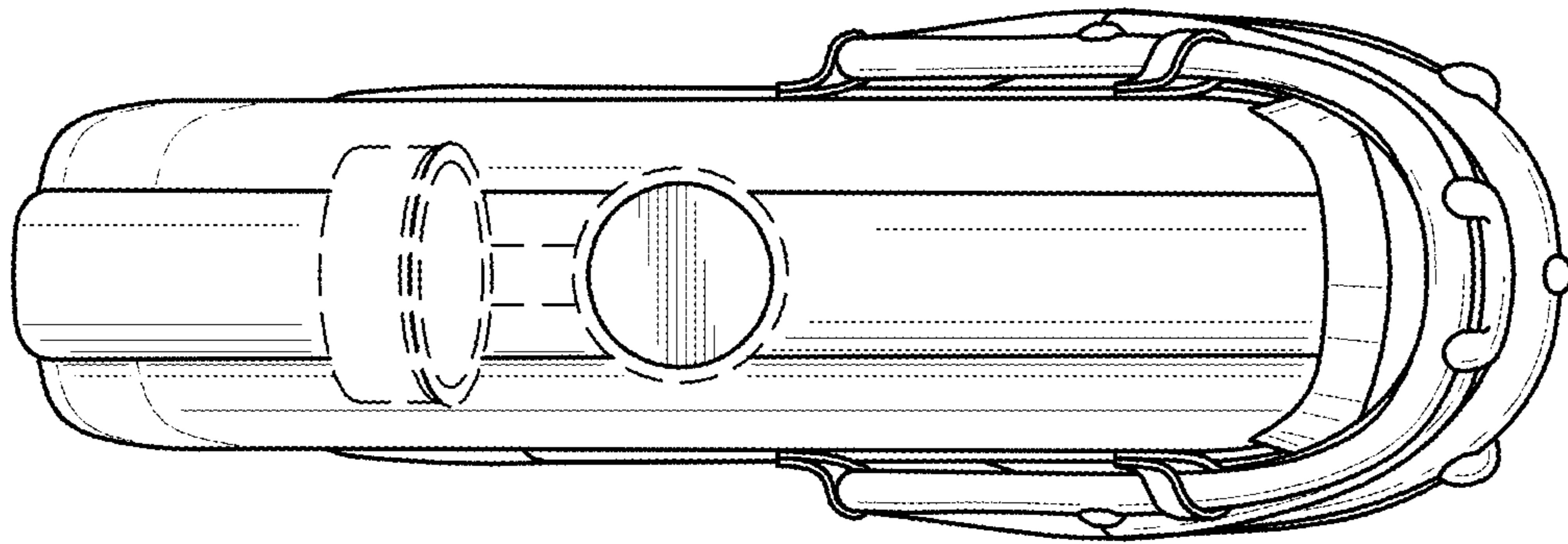


FIG. 4

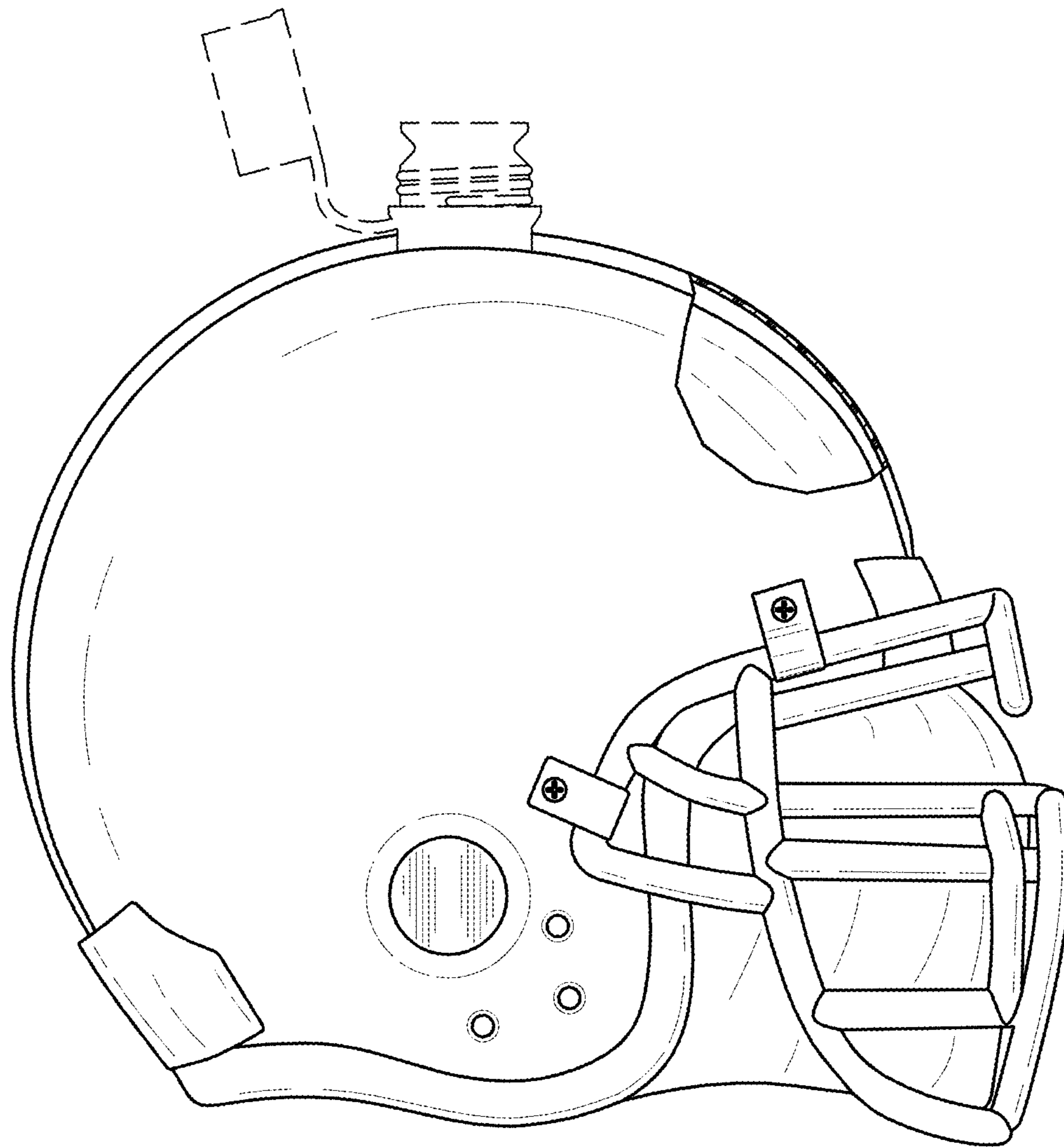


FIG. 5