



US00D804250S

(12) **United States Design Patent** (10) **Patent No.:** **US D804,250 S**
Mann (45) **Date of Patent:** **** Dec. 5, 2017**

(54) **WATER BOTTLE**
(71) Applicant: **Erik Ceslo Mann**, Long Beach, CA (US)
(72) Inventor: **Erik Ceslo Mann**, Long Beach, CA (US)
(**) Term: **15 Years**
(21) Appl. No.: **29/554,138**
(22) Filed: **Feb. 8, 2016**
(51) **LOC (10) Cl.** **07-01**
(52) **U.S. Cl.**
USPC **D7/515; D7/510; D7/523**
(58) **Field of Classification Search**
USPC D7/505, 507, 509, 510, 511, 512, 523, D7/532, 392.1, 396.2, 396.6, 552.2, 400, D7/515, 518; 220/495.03, 592.16, 220/592.17; D11/143, 144; D9/772, 520, D9/548; D26/9
CPC A47G 19/2272; A47G 19/2227; A47G 19/22; A45F 3/20; A45F 3/16; B65D 47/066; B65D 1/265
See application file for complete search history.

D603,291 S * 11/2009 Wessling D11/117
D614,447 S * 4/2010 Richau D7/396.2
D650,280 S * 12/2011 de Peyerimhoff D9/454
D703,415 S * 4/2014 Khan A61G 17/08
D99/5
D714,097 S * 9/2014 Hoang D7/515
D724,383 S * 3/2015 May D7/510
D732,341 S * 6/2015 Matharu D7/300
D737,540 S * 8/2015 Borella D99/37
D743,744 S * 11/2015 Sanbar D7/510
D757,920 S * 5/2016 Lin D23/366
D772,722 S * 11/2016 Kick D9/519
D790,276 S * 6/2017 Lane D7/507
2013/0087571 A1 * 4/2013 Yao A47G 21/18
220/709
2015/0190003 A1 * 7/2015 Kelaher A47G 19/2272
220/303
2015/0257558 A1 * 9/2015 May A47G 19/2272
220/669

* cited by examiner

Primary Examiner — Marianne Pandozzi
Assistant Examiner — Jae Liang
(74) *Attorney, Agent, or Firm* — Fulwider Patton LLP

(57) **CLAIM**

The ornamental design for a water bottle, as shown and described.

(56) **References Cited**

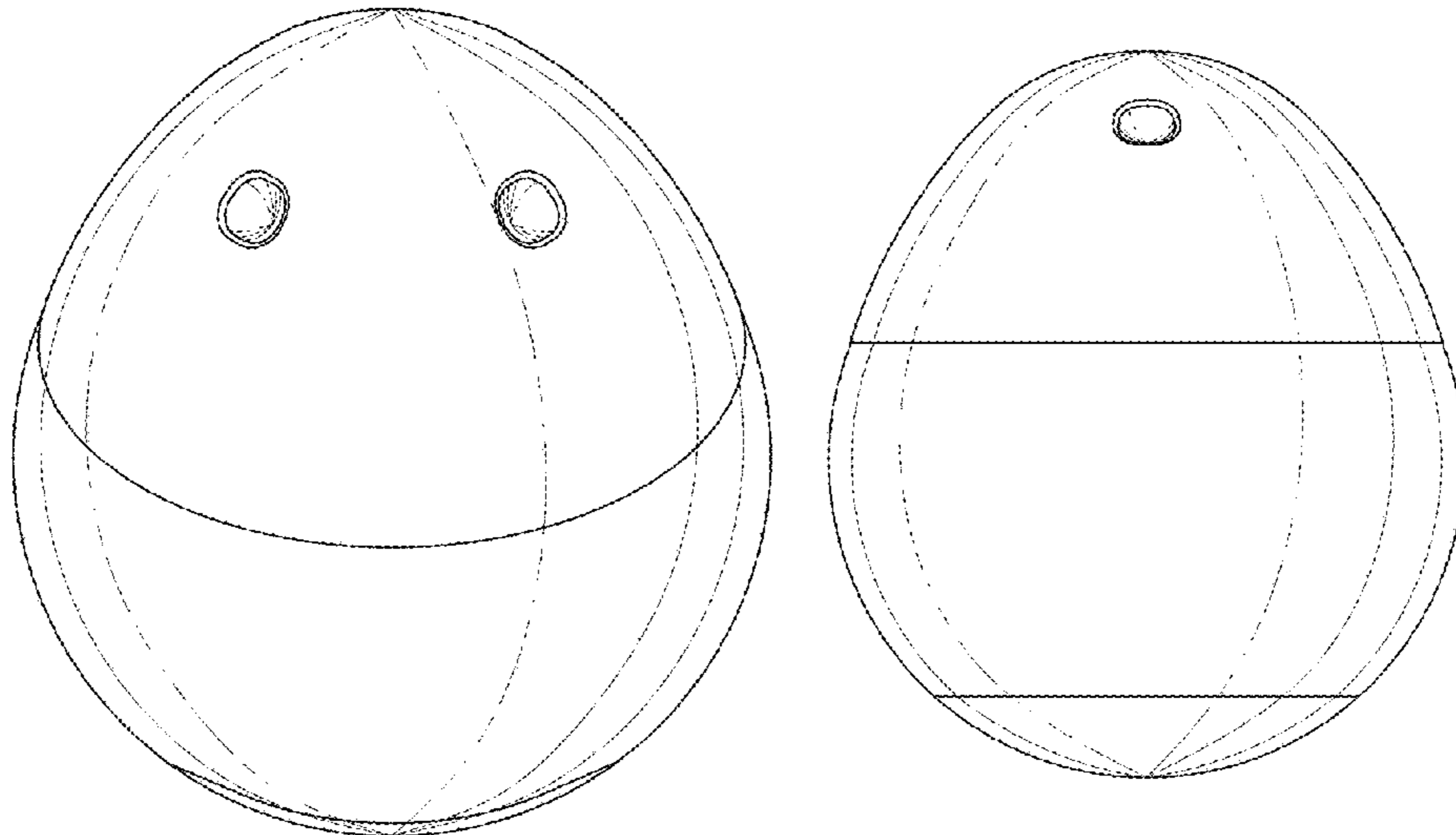
U.S. PATENT DOCUMENTS

D230,954 S * 3/1974 Gregoriotti D9/504
D244,013 S * 4/1977 Perkins 428/11
D340,077 S * 10/1993 Turner D19/82
D369,276 S * 4/1996 Jessen D7/509
D390,499 S * 2/1998 Durham D11/143
D419,827 S * 2/2000 Michaeli D7/511
D425,757 S * 5/2000 Printz D7/510
D505,832 S * 6/2005 Rosow D7/507
D516,560 S * 3/2006 Landau D14/480.2
D530,852 S * 10/2006 Zheng D27/148
D564,061 S * 3/2008 Studer D22/122
D565,145 S * 3/2008 Studer D22/122

DESCRIPTION

FIG. 1 is a top perspective view of a water bottle showing my new design;
FIG. 2 is a bottom perspective view thereof;
FIG. 3 is a left side view thereof;
FIG. 4 is a right side view thereof;
FIG. 5 is a front view thereof;
FIG. 6 is a rear view thereof;
FIG. 7 is a top view thereof; and,
FIG. 8 is a bottom view thereof.

1 Claim, 5 Drawing Sheets



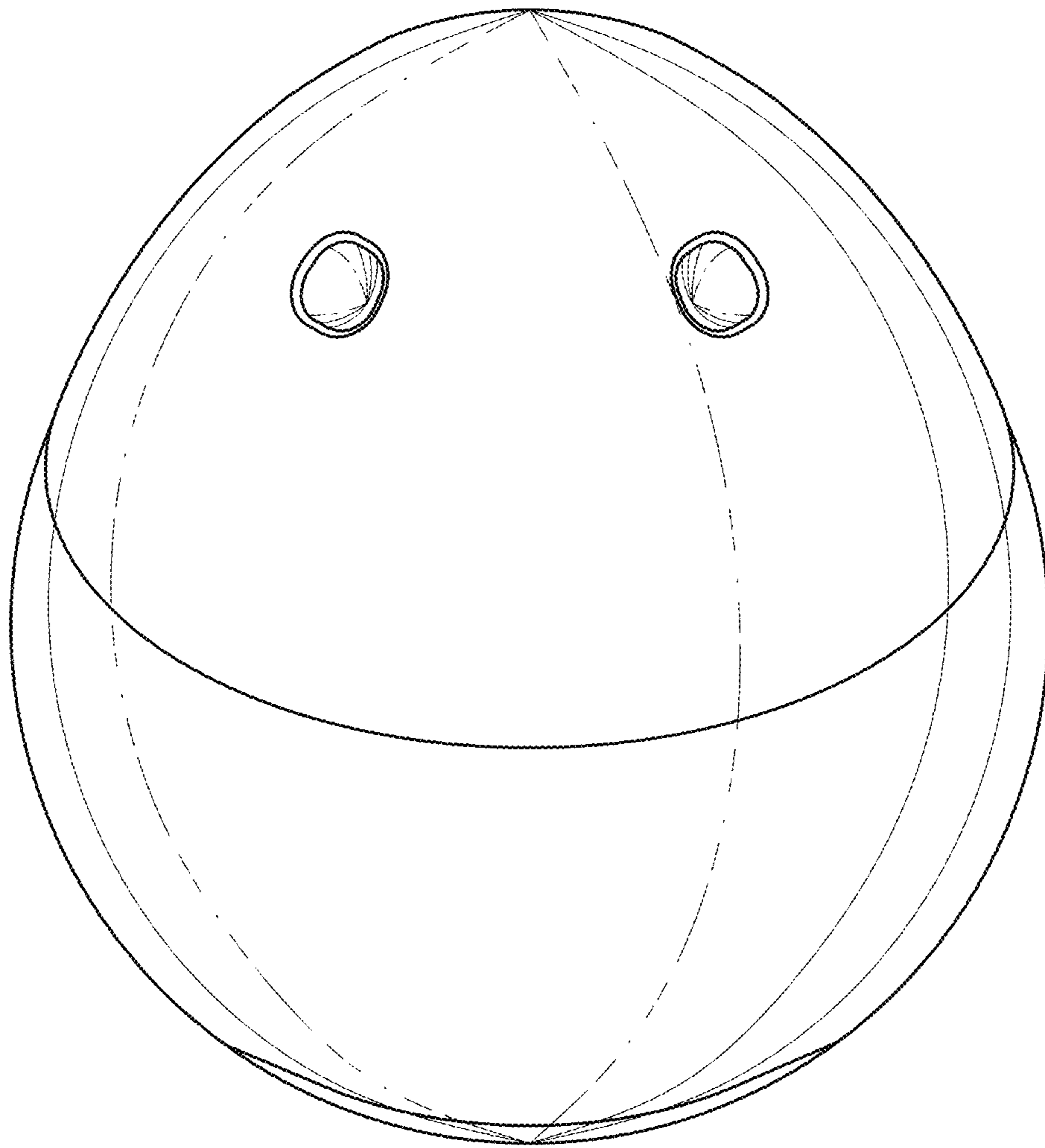


FIG. 1

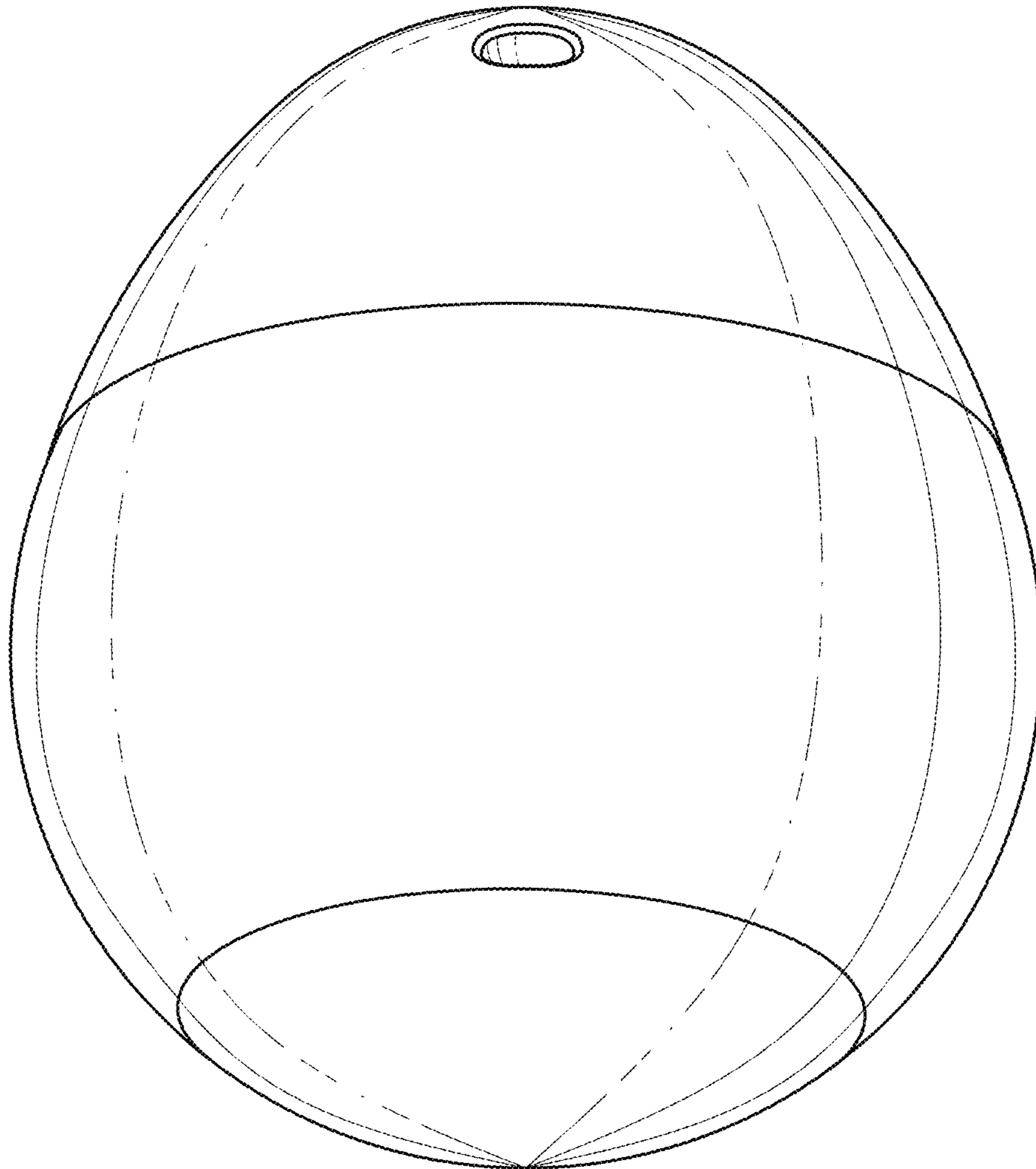


FIG. 2

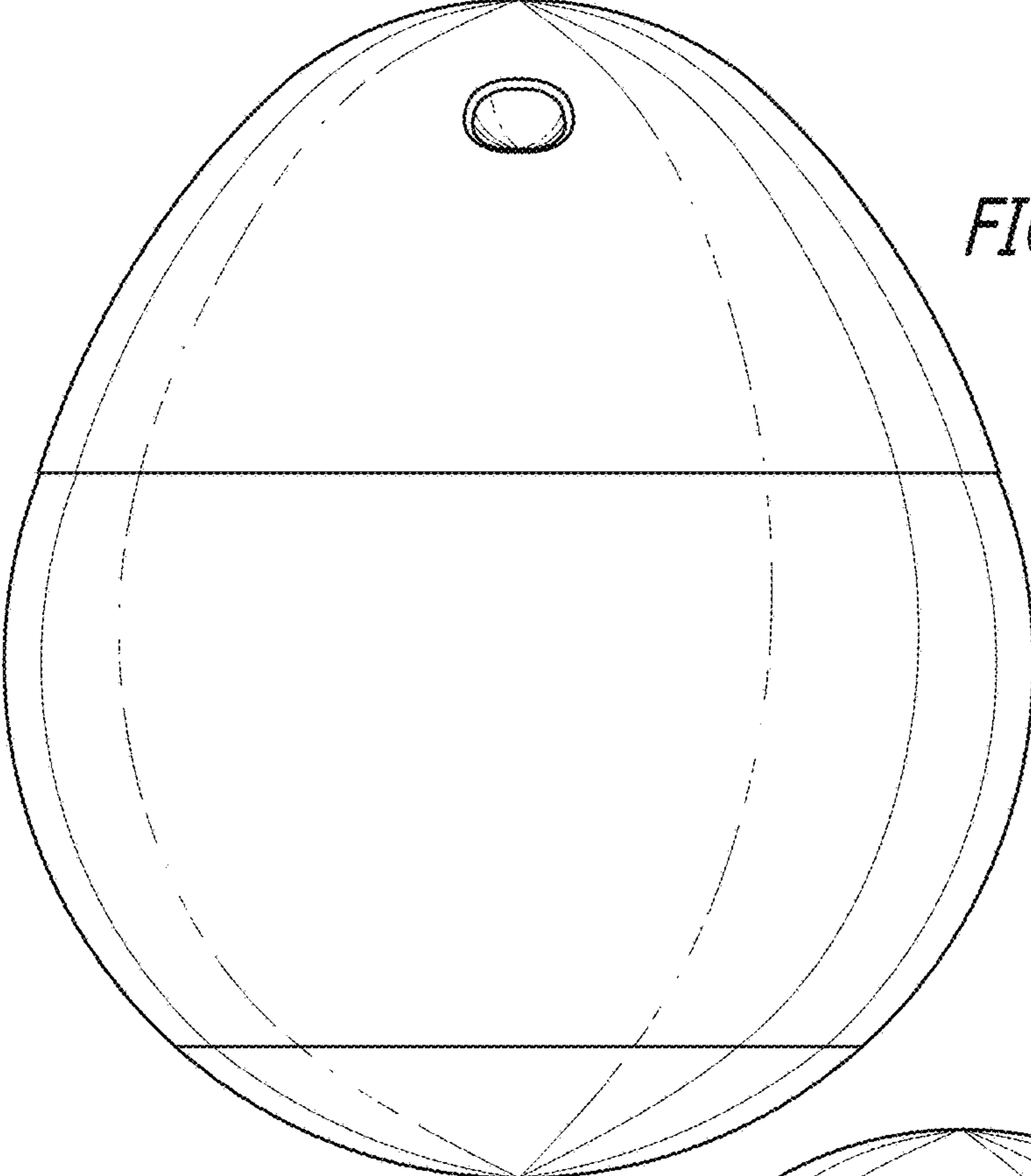


FIG. 3

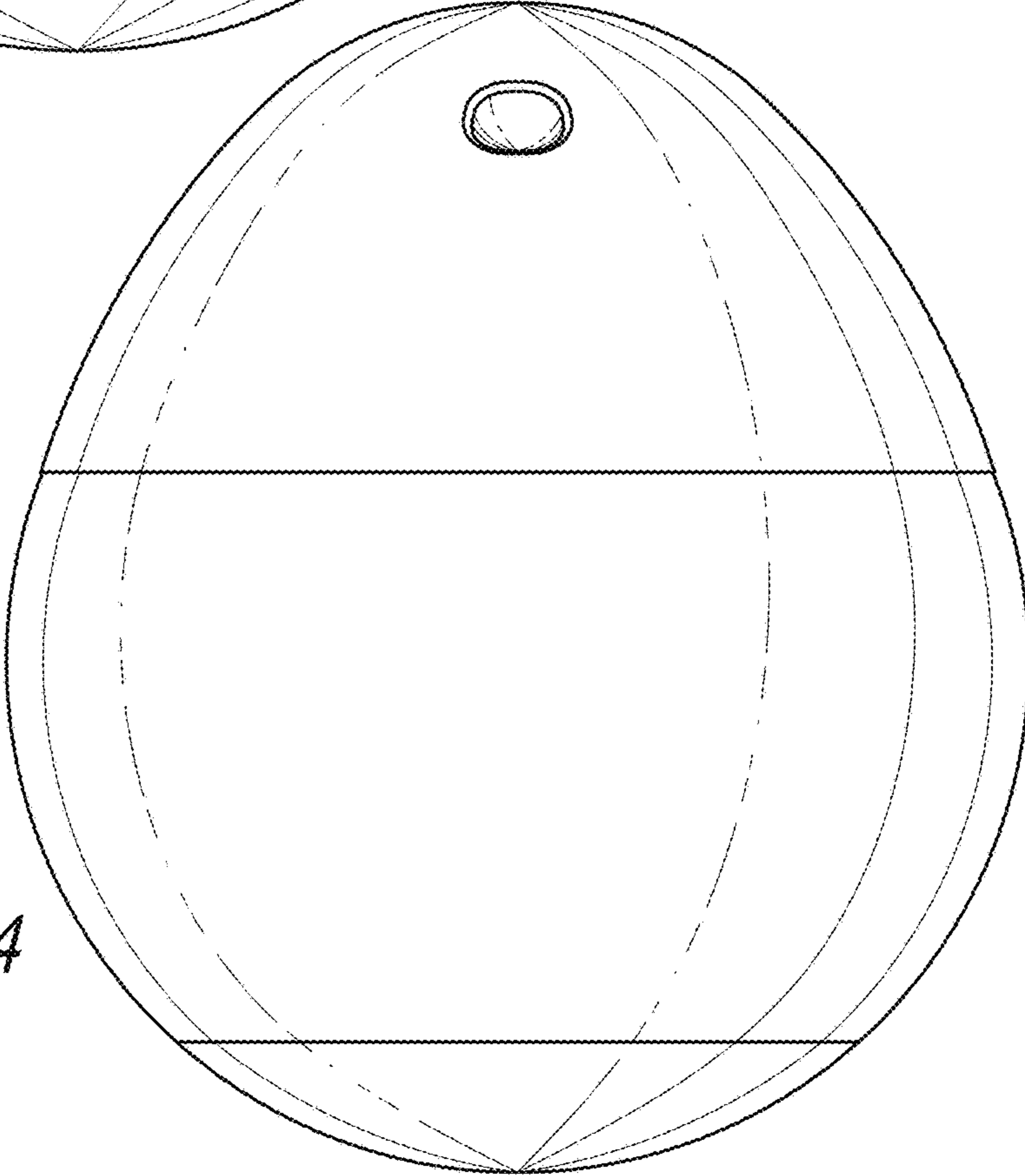


FIG. 4

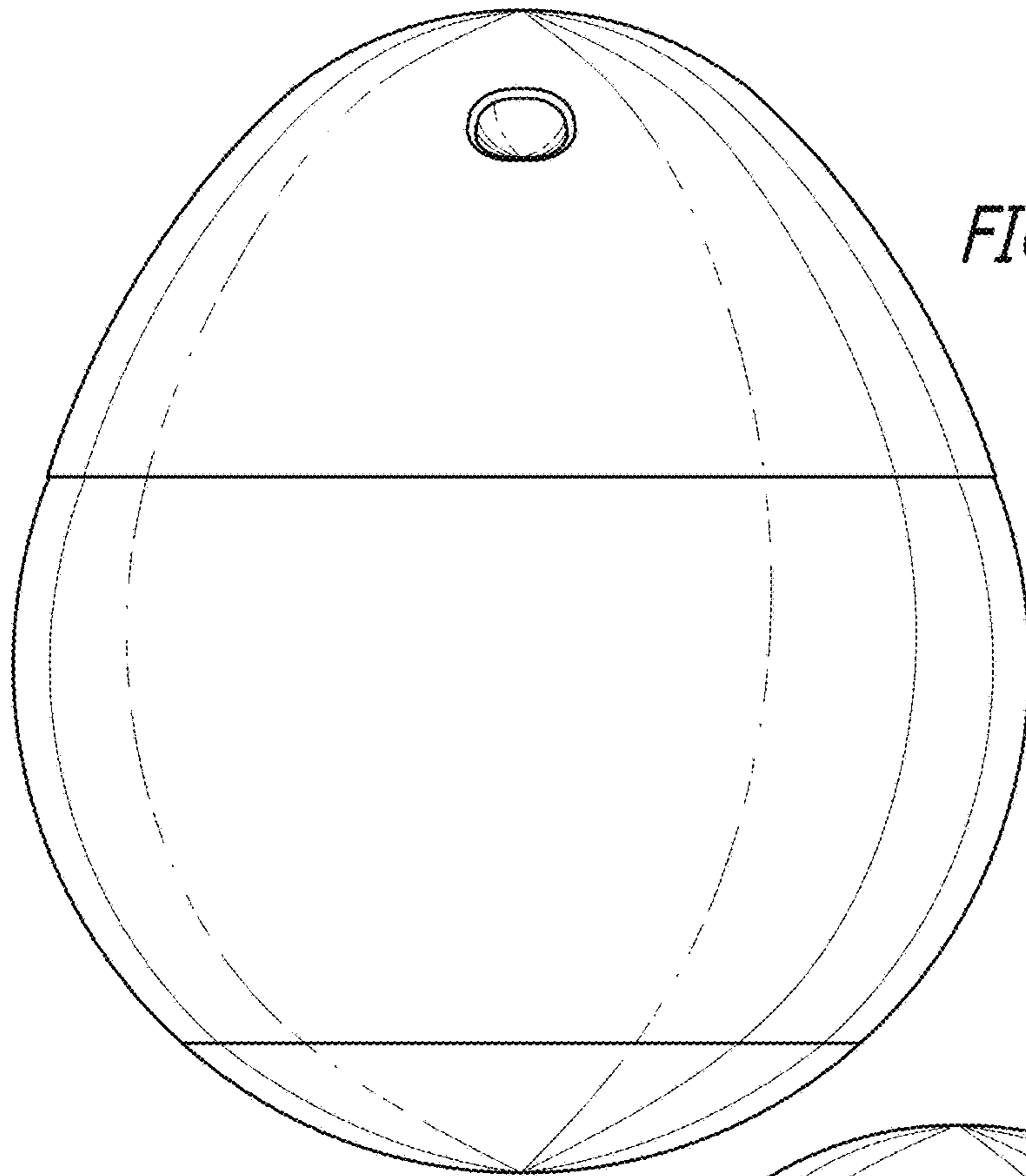


FIG. 5

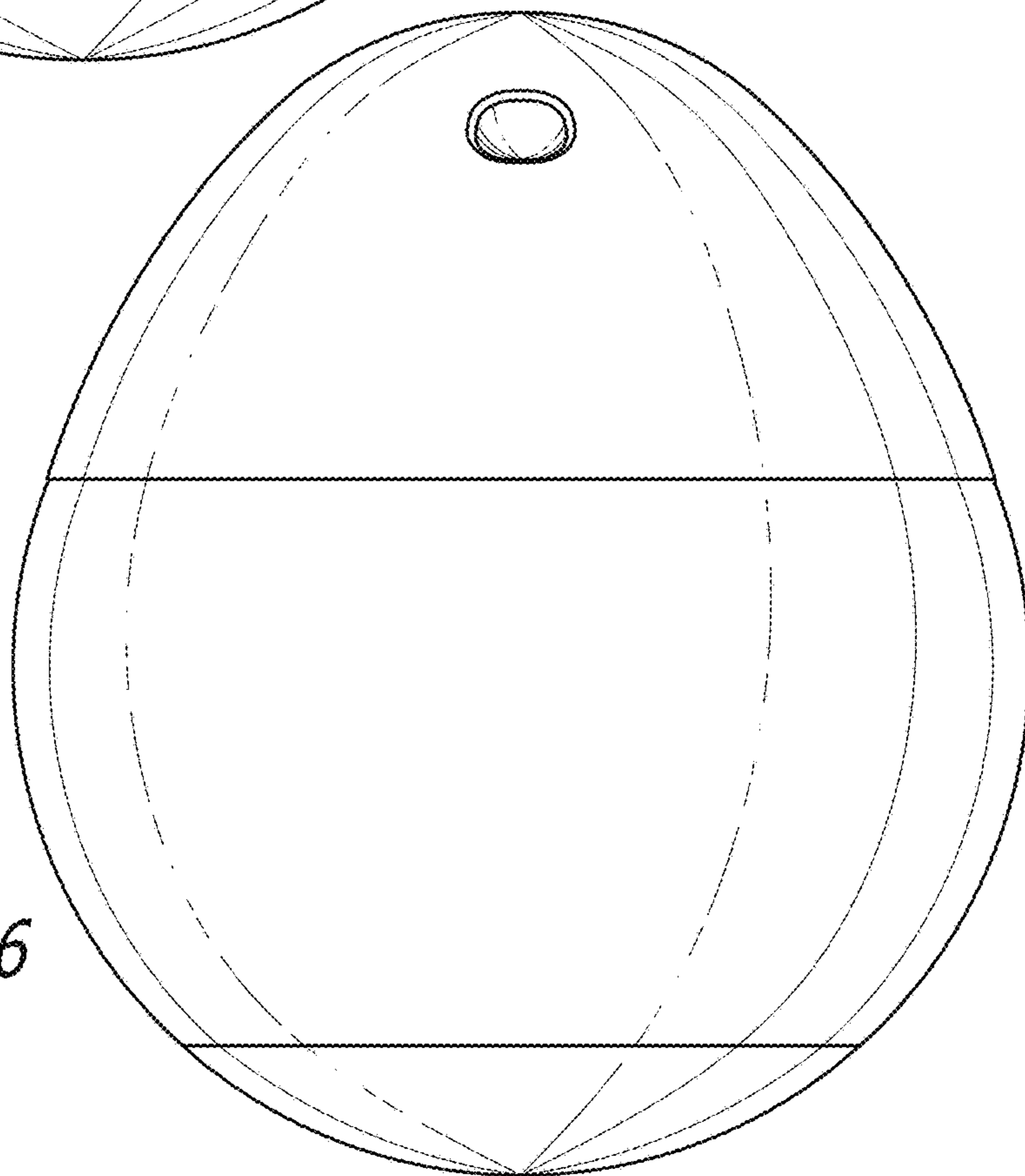


FIG. 6

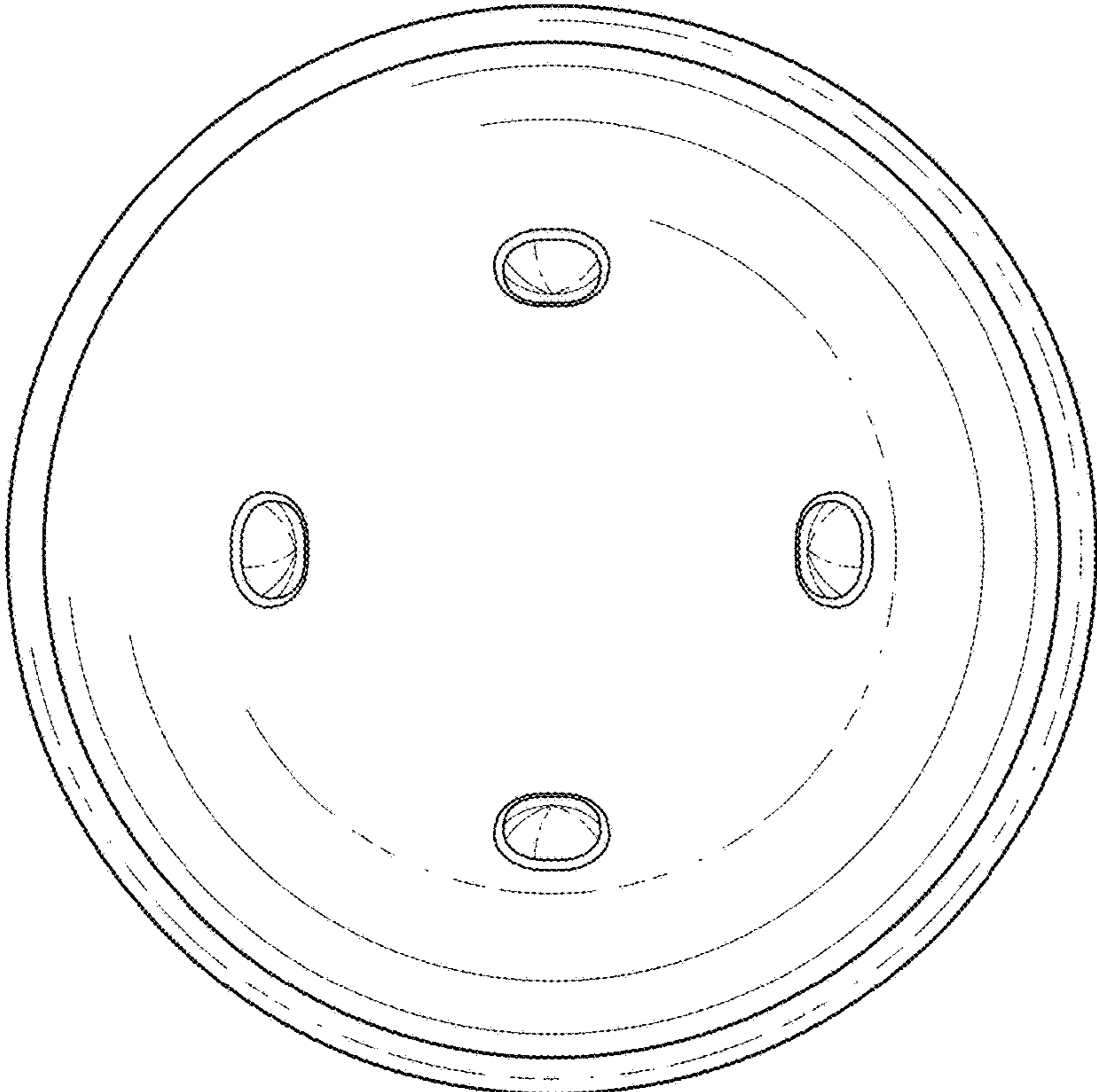


FIG. 7

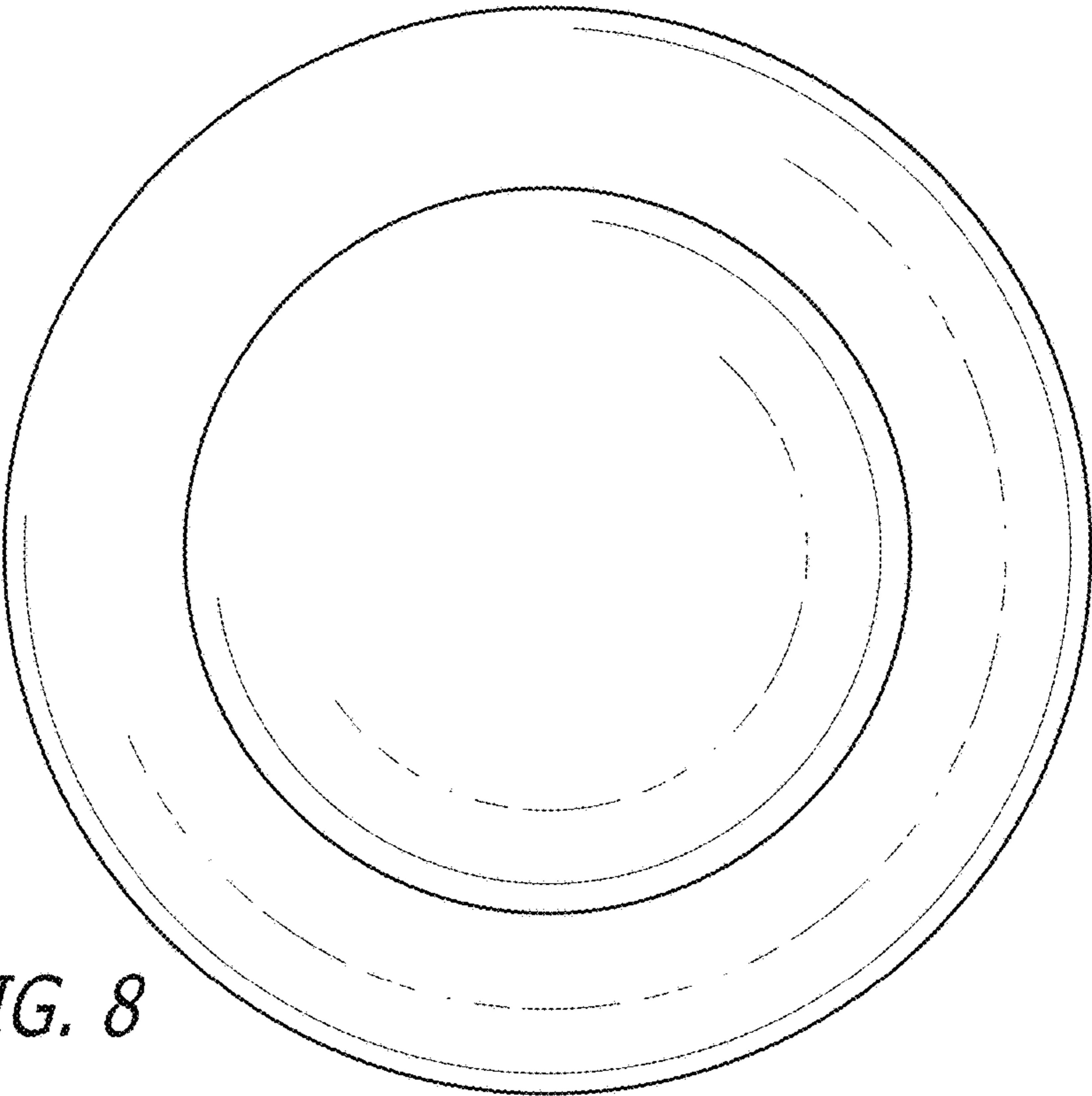


FIG. 8