



US00D804245S

(12) **United States Design Patent** (10) **Patent No.:** **US D804,245 S**  
**Segers et al.** (45) **Date of Patent:** **\*\* Dec. 5, 2017**

(54) **COOKING APPLIANCE**  
(71) Applicant: **BSH Bosch und Siemens Hausgeräte GmbH**, Munich (DE)  
(72) Inventors: **Hermann-Reinhard Segers**, München (DE); **Sören Strayle**, München (DE)  
(73) Assignee: **BSH Hausgeräte GmbH**, Munich (DE)  
(\*\*) Term: **15 Years**  
(21) Appl. No.: **29/572,847**  
(22) Filed: **Aug. 1, 2016**

**Related U.S. Application Data**

(62) Division of application No. 29/531,627, filed on Jun. 29, 2015, now Pat. No. Des. 771,437, which is a division of application No. 29/468,888, filed on Oct. 4, 2013, now Pat. No. Des. 738,683, which is a division of application No. 29/443,507, filed on Jan. 18, 2013, now Pat. No. Des. 697,756, which is a division of application No. 29/426,277, filed on Jul. 3, 2012, now Pat. No. Des. 678,720, which is a division of application No. 29/418,939, filed on Apr. 24, 2012, now Pat. No. Des. 668,104, which is a division of application No. 29/411,278, filed on Jan. 19, 2012, now Pat. No. Des. 663,583, which is a division of application No. 29/403,349, filed on Oct. 5, 2011, now Pat. No. Des. 666,054, which is a division of application No. 29/376,443, filed on Oct. 7, 2010, now Pat. No. Des. 651,458.

(30) **Foreign Application Priority Data**

Apr. 14, 2010 (EM) ..... 001210603  
May 27, 2010 (EM) ..... 001220008  
(51) **LOC (10) Cl.** ..... **07-02**  
(52) **U.S. Cl.**  
USPC ..... **D7/402; D7/346**

(58) **Field of Classification Search**  
USPC ..... D7/337, 402-408, 362-367, 340, 346;  
99/339; 126/39 A, 39 E, 39 H, 39 K,  
126/214, 214 R, 214 A, 39 R, 40  
CPC ..... F24C 3/002; F24C 3/008; F24C 3/022;  
F24C 3/027; F24C 3/08; F24C 3/082;  
F24C 3/087  
See application file for complete search history.

(56) **References Cited**

U.S. PATENT DOCUMENTS

D169,260 S \* 4/1953 Hupp ..... D7/402  
D195,657 S \* 7/1963 Sullivan ..... D7/364  
D205,820 S \* 9/1966 Ryan ..... D7/364  
D215,514 S \* 10/1969 Betzer ..... D7/363  
D244,664 S \* 6/1977 Monnet ..... D7/337  
D246,151 S \* 10/1977 Chan ..... D7/337

(Continued)

*Primary Examiner* — Ian Simmons  
*Assistant Examiner* — Mark Cavanna  
(74) *Attorney, Agent, or Firm* — Michael E. Tschupp;  
Andre Pallapies; Brandon G. Braun

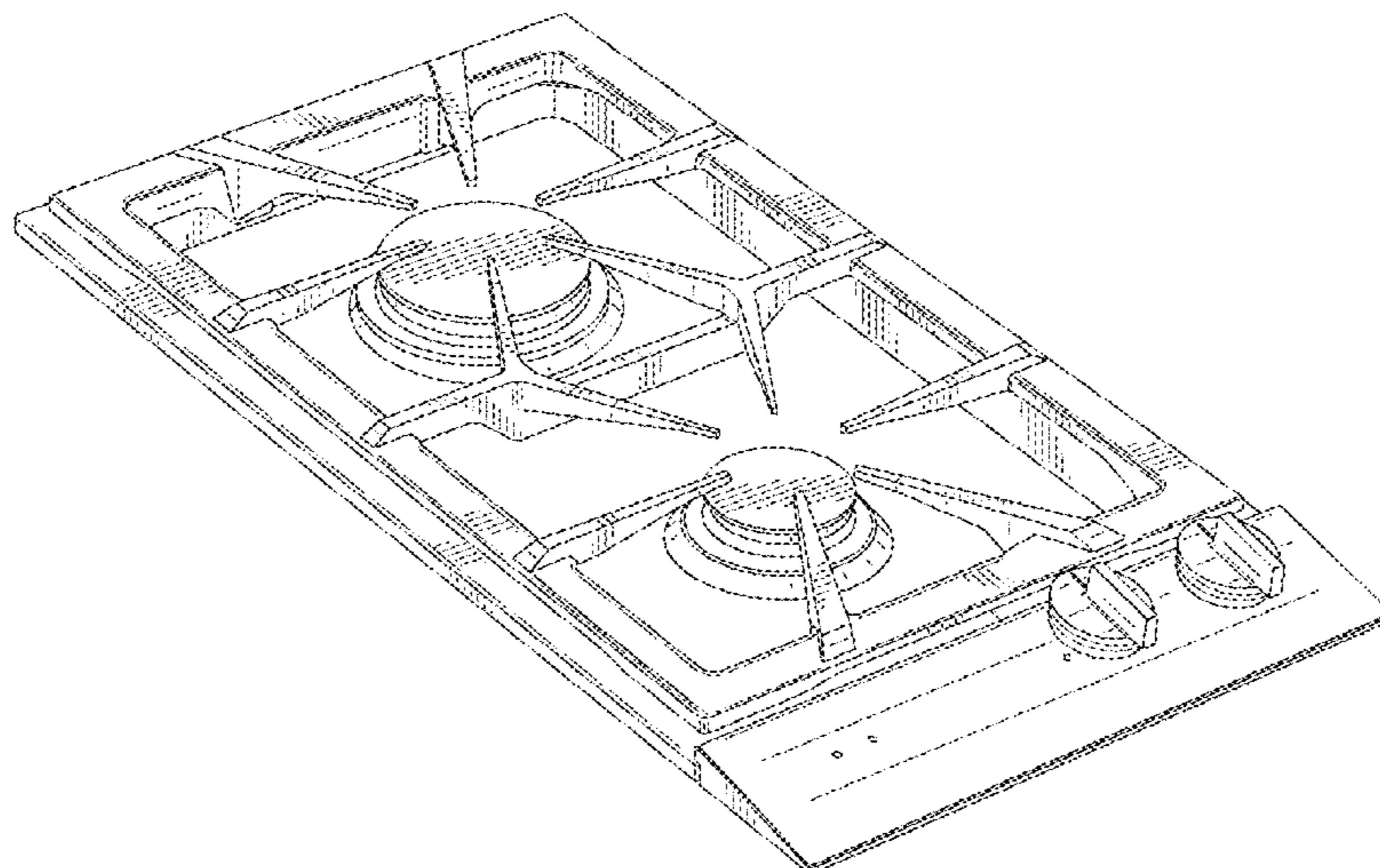
(57) **CLAIM**

The ornamental design for a cooking appliance, as shown and described.

**DESCRIPTION**

FIG. 1 is a front perspective view showing a cooking appliance according to our new ornamental design;  
FIG. 2 is a top view thereof;  
FIG. 3 is a bottom view thereof;  
FIG. 4 is a front view thereof;  
FIG. 5 is a rear view thereof; and,  
FIG. 6 is a right side view thereof, with the left side view thereof being a mirror image thereof.  
The broken lines represent environment or structure of the cooking appliance and do not form any part of the claimed design.

**1 Claim, 4 Drawing Sheets**



(56)

**References Cited**

## U.S. PATENT DOCUMENTS

D252,971	S	*	9/1979	Ito	.....	D7/337
D264,673	S	*	6/1982	Schreder	.....	D7/346
D276,492	S	*	11/1984	Sasaki	.....	D7/346
D285,280	S	*	8/1986	Fischer	.....	D7/407
D287,326	S	*	12/1986	Joseph	.....	D7/346
D304,990	S	*	12/1989	Springer	.....	D7/367
D305,290	S	*	1/1990	Springer	.....	D7/367
D326,387	S	*	5/1992	Monitto	.....	D7/346
D336,008	S	*	6/1993	Kamata	.....	D7/362
D342,641	S	*	12/1993	Falk	.....	D7/407
D343,336	S	*	1/1994	Falk	.....	D7/346
D350,256	S	*	9/1994	Wang	.....	D7/367
D369,509	S	*	5/1996	Kaga	.....	D7/362
D392,501	S	*	3/1998	Ashcraft	.....	D7/346
D393,567	S	*	4/1998	Ashcraft	.....	D7/346
D456,204	S	*	4/2002	Schulein	.....	D7/362
D479,781	S	*	9/2003	Pottenger	.....	D7/346
D479,942	S	*	9/2003	Pottenger	.....	D7/346
D480,261	S	*	10/2003	Pottenger	.....	D7/346
D513,151	S	*	12/2005	Currie	.....	D7/364
D540,103	S	*	4/2007	Jensen	.....	D7/346
D540,612	S	*	4/2007	Jensen	.....	D7/346
D542,587	S	*	5/2007	Jensen	.....	D7/346
D543,069	S	*	5/2007	Jensen	.....	D7/346
D544,291	S	*	6/2007	Kong	.....	D7/362
D611,293	S	*	3/2010	Chung	.....	D7/337
D637,040	S	*	5/2011	King	.....	D7/407
D710,148	S	*	8/2014	Mainville	.....	D7/402
D724,371	S	*	3/2015	Min	.....	D7/337

\* cited by examiner

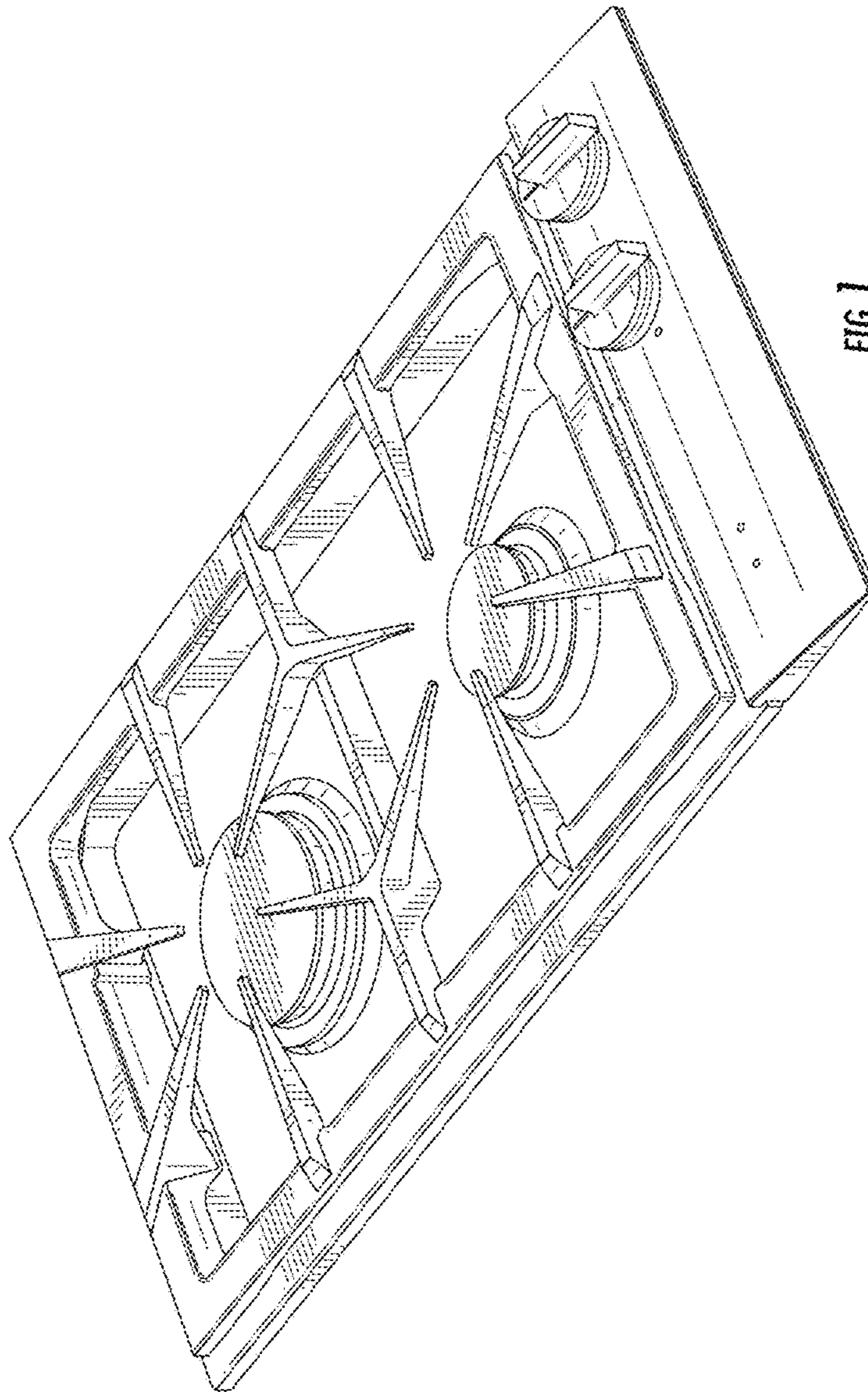


FIG. 1



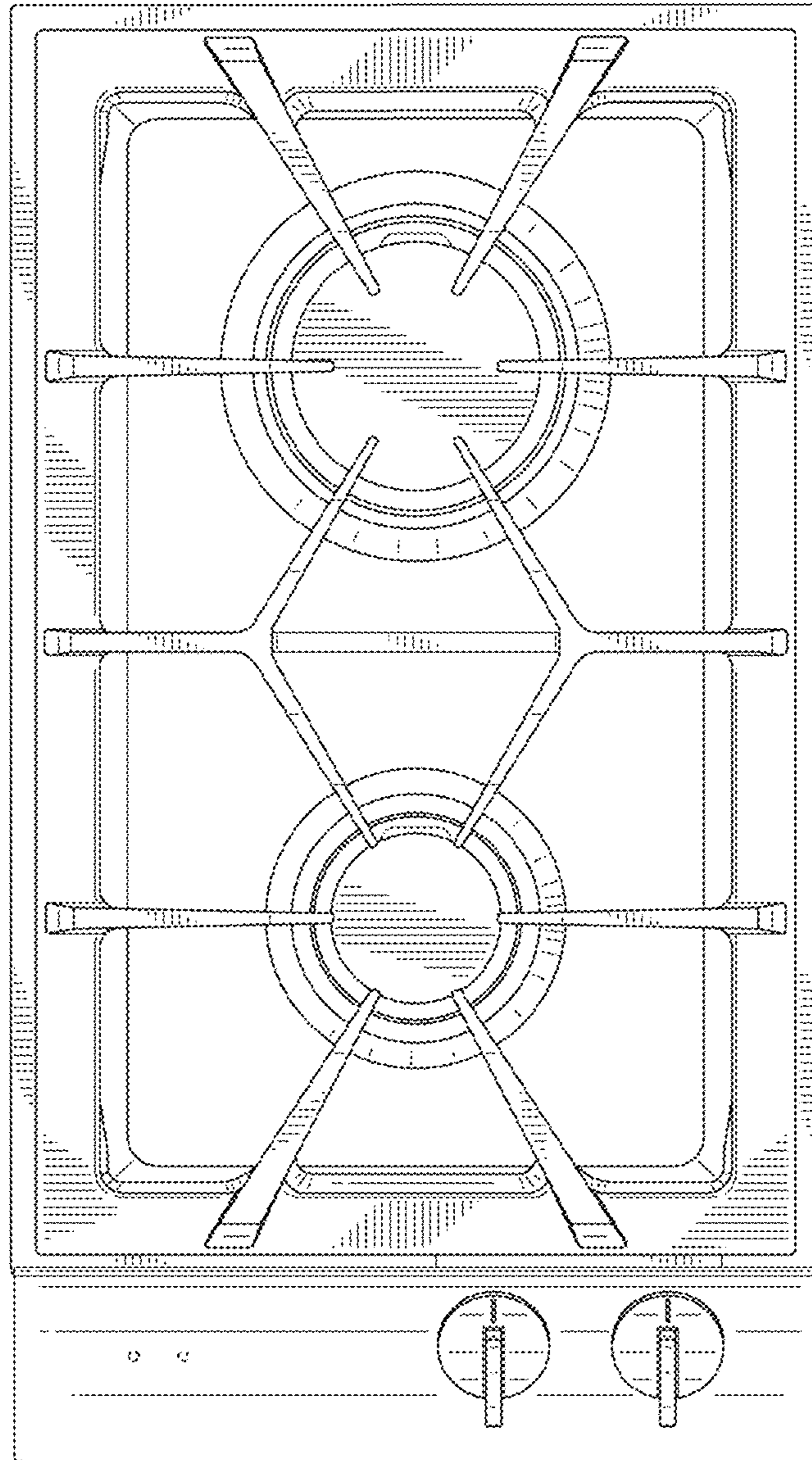


FIG. 2

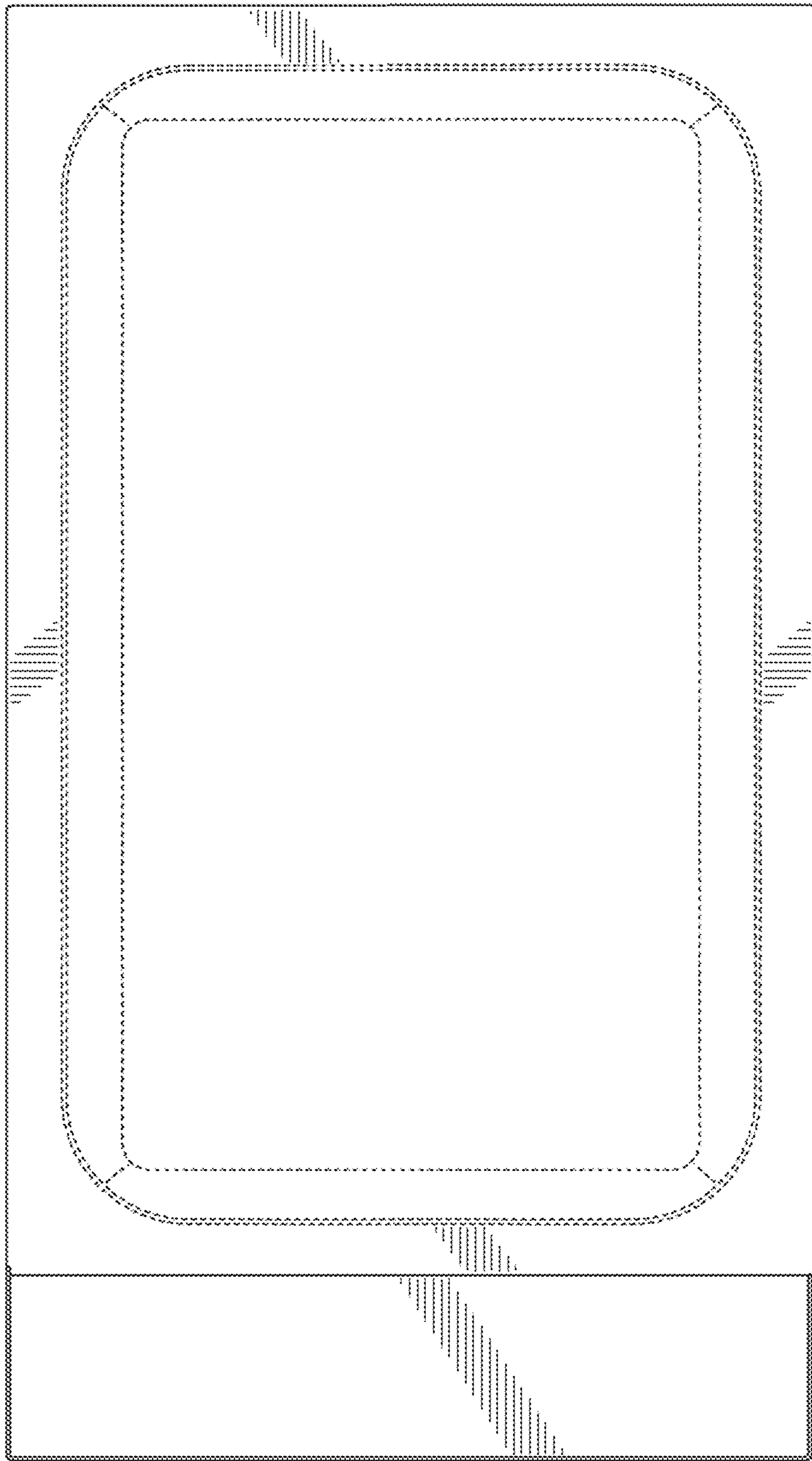


FIG. 3

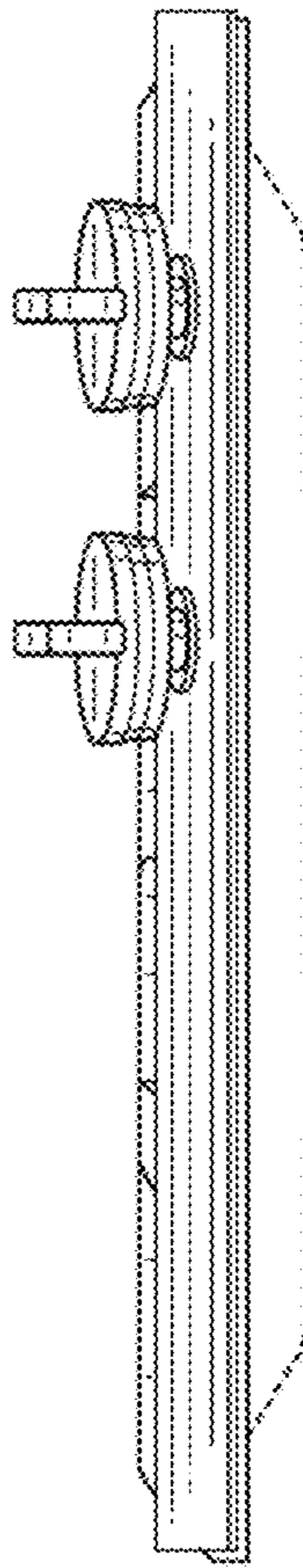


FIG. 4

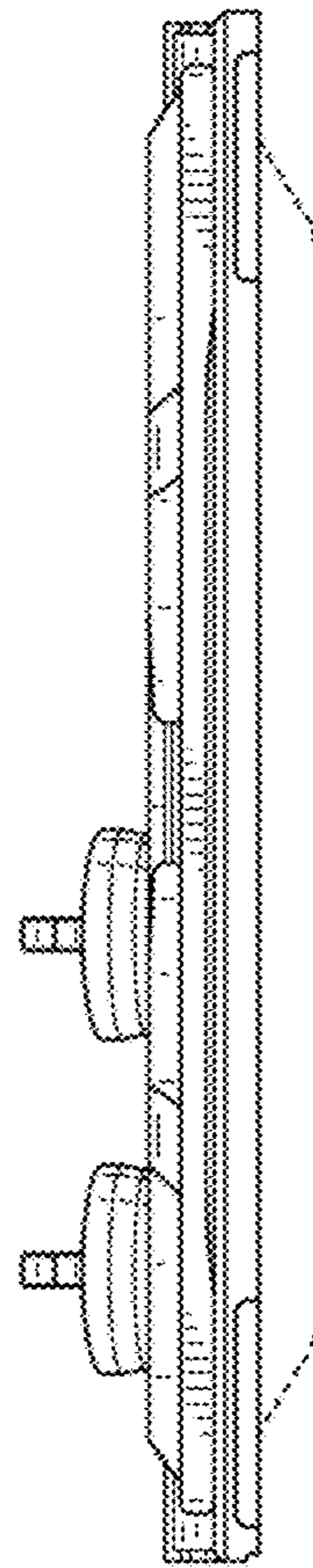


FIG. 5

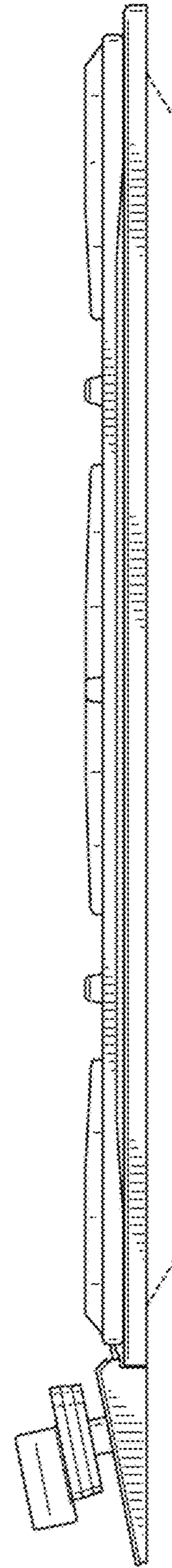


FIG. 6