



US00D804242S

(12) **United States Design Patent**  
**Barberi**

(10) **Patent No.:** **US D804,242 S**

(45) **Date of Patent:** **\*\* Dec. 5, 2017**

- (54) **COOKWARE SIDE HANDLE**
- (71) Applicant: **Meyer Intellectual Properties Limited**,  
Kowloon (HK)
- (72) Inventor: **Philip D. Barberi**, San Ramon, CA  
(US)

D447,383 S *	9/2001	Rae	.....	D7/395
D704,999 S *	5/2014	Rae	.....	D7/395
D711,188 S *	8/2014	Shen	.....	D7/395
D711,685 S *	8/2014	Delassus	.....	D7/395
D740,604 S *	10/2015	Barberi	.....	D7/395
D779,873 S *	2/2017	Barberi	.....	D7/395
D779,874 S *	2/2017	Barberi	.....	D7/395
D783,343 S *	4/2017	Barberi	.....	D7/395

(73) Assignee: **Meyer Intellectual Properties Limited**  
(VG)

\* cited by examiner

(\*\*) Term: **15 Years**

*Primary Examiner* — Cynthia M Chin

(74) *Attorney, Agent, or Firm* — Edward S. Sherman

(21) Appl. No.: **29/583,949**

(22) Filed: **Nov. 10, 2016**

(51) **LOC (10) Cl.** ..... **07-02**

(52) **U.S. Cl.**  
USPC ..... **D7/395**

(58) **Field of Classification Search**  
USPC ..... D7/354–361, 393–395, 401.2, 664;  
D8/107, 300, 303, 307, 313, 321;  
D4/138, 129  
CPC ..... A47J 45/06; A47J 45/061; A47J 45/62;  
A47J 45/08; A47J 45/085; A47J 45/071;  
A47J 45/072; B65D 25/2802; B65D  
25/2882; B65D 25/2885; B65D 25/2888;  
B65D 25/2894; Y10S 220/912  
See application file for complete search history.

(56) **References Cited**

**U.S. PATENT DOCUMENTS**

D284,540 S *	7/1986	Baumgarten	.....	D7/393
D433,278 S *	11/2000	LoGiudice	.....	D7/395

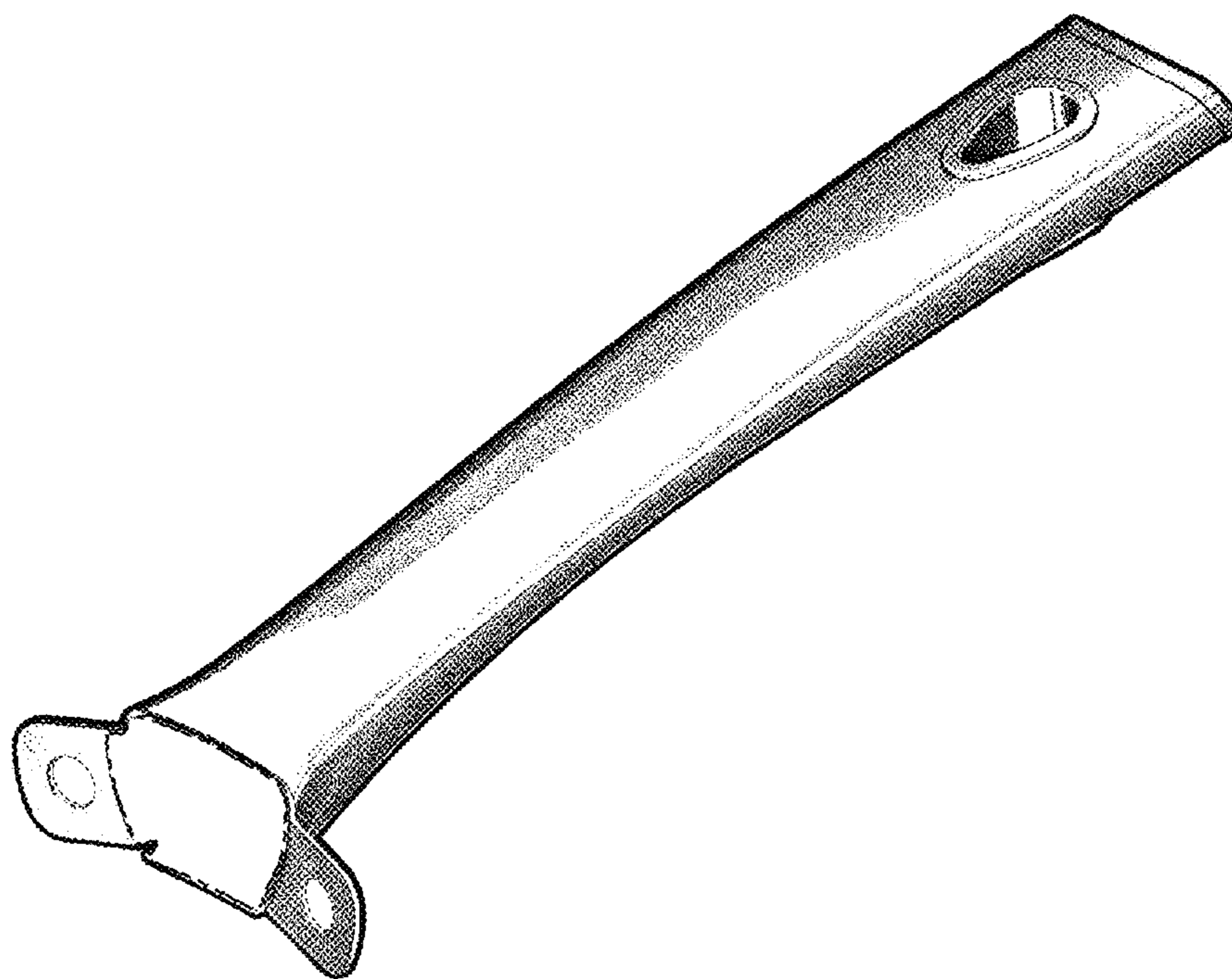
(57) **CLAIM**

The ornamental design for a cookware side handle, as shown and described.

**DESCRIPTION**

FIG. 1 is a perspective view of the “cookware side handle”, showing my new design;  
FIG. 2 is a right side elevation view thereof; the left side elevation view being the mirror image thereof;  
FIG. 3 is a bottom plan view thereof;  
FIG. 4 is a top plan view thereof;  
FIG. 5 is a front elevation view thereof; and,  
FIG. 6 is a back elevation view thereof.  
The dot-dash lines in FIGS. 1 and 5 indicate a boundary of an internal portion that forms no part of the claimed design. The broken lines in FIGS. 1, 2, 5 and 6 are for the purpose of illustrating portions of the article that form no part of the claim.

**1 Claim, 3 Drawing Sheets**



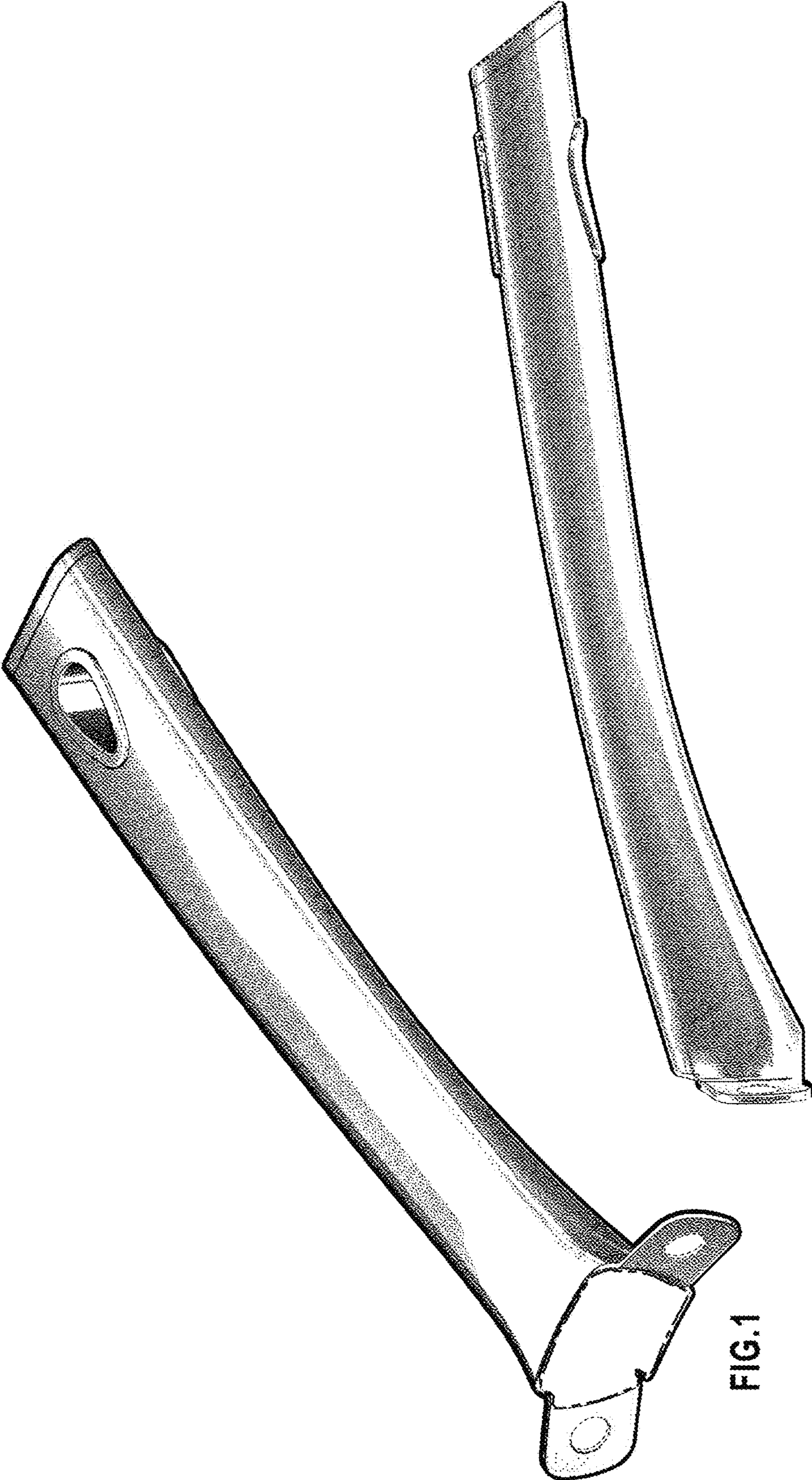


FIG.2

FIG.1

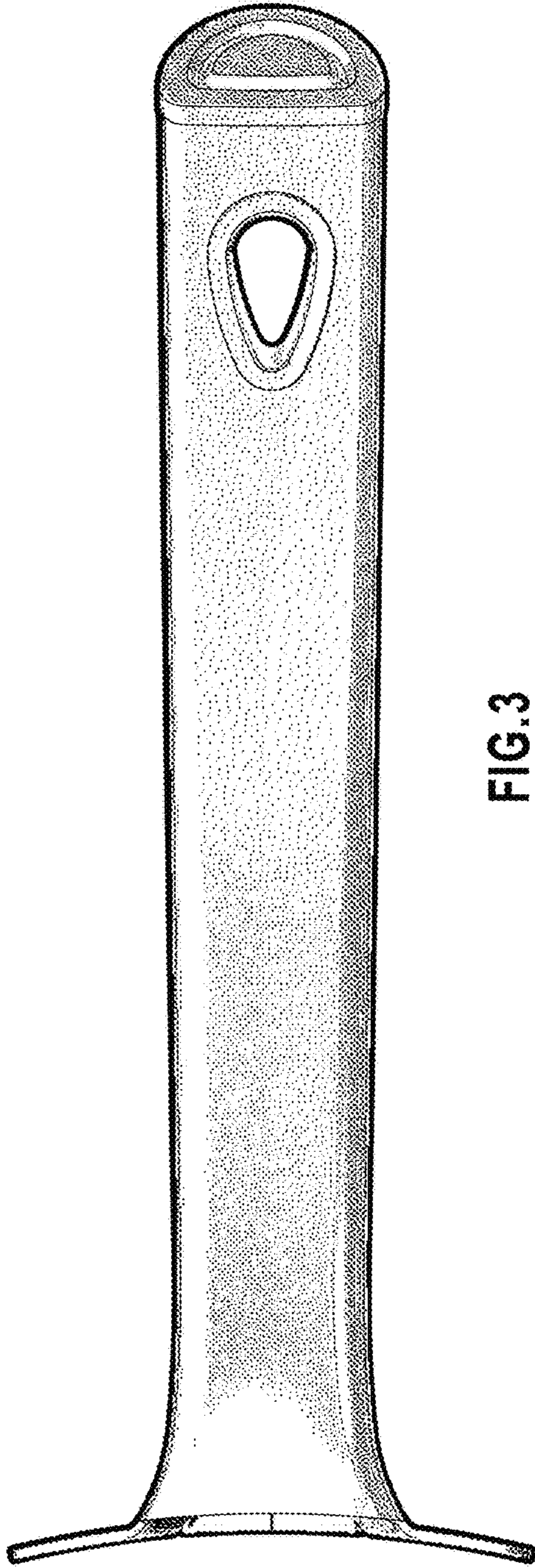


FIG.3

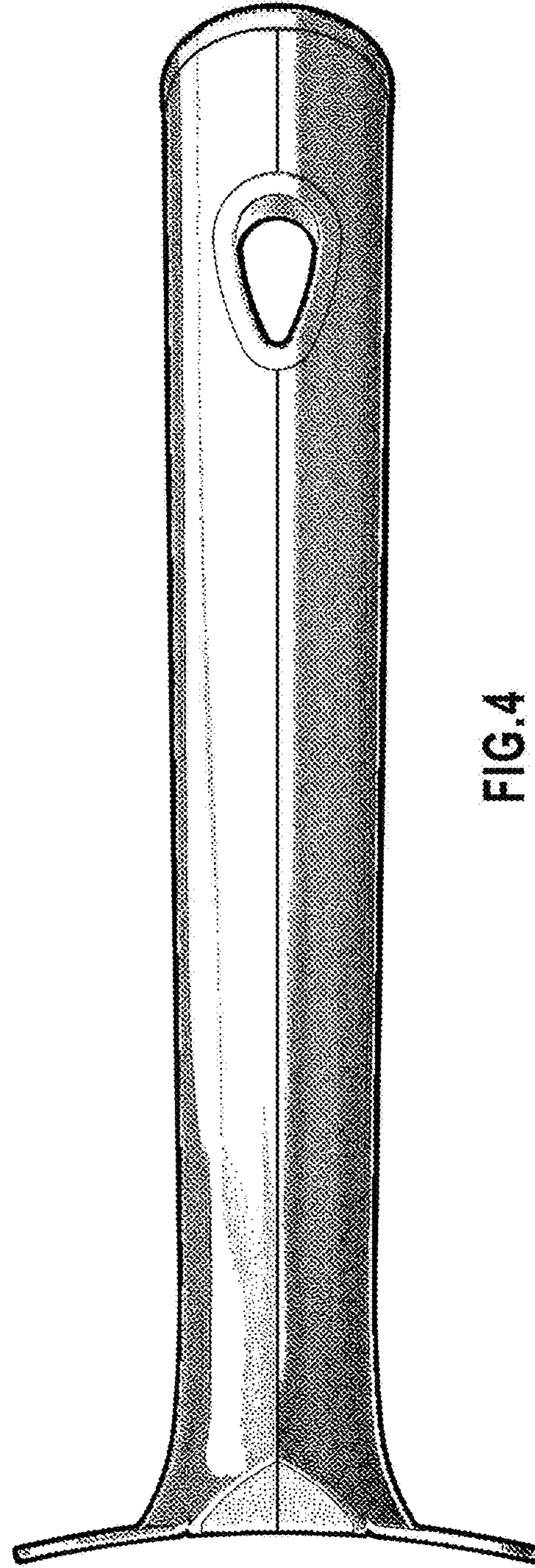


FIG.4

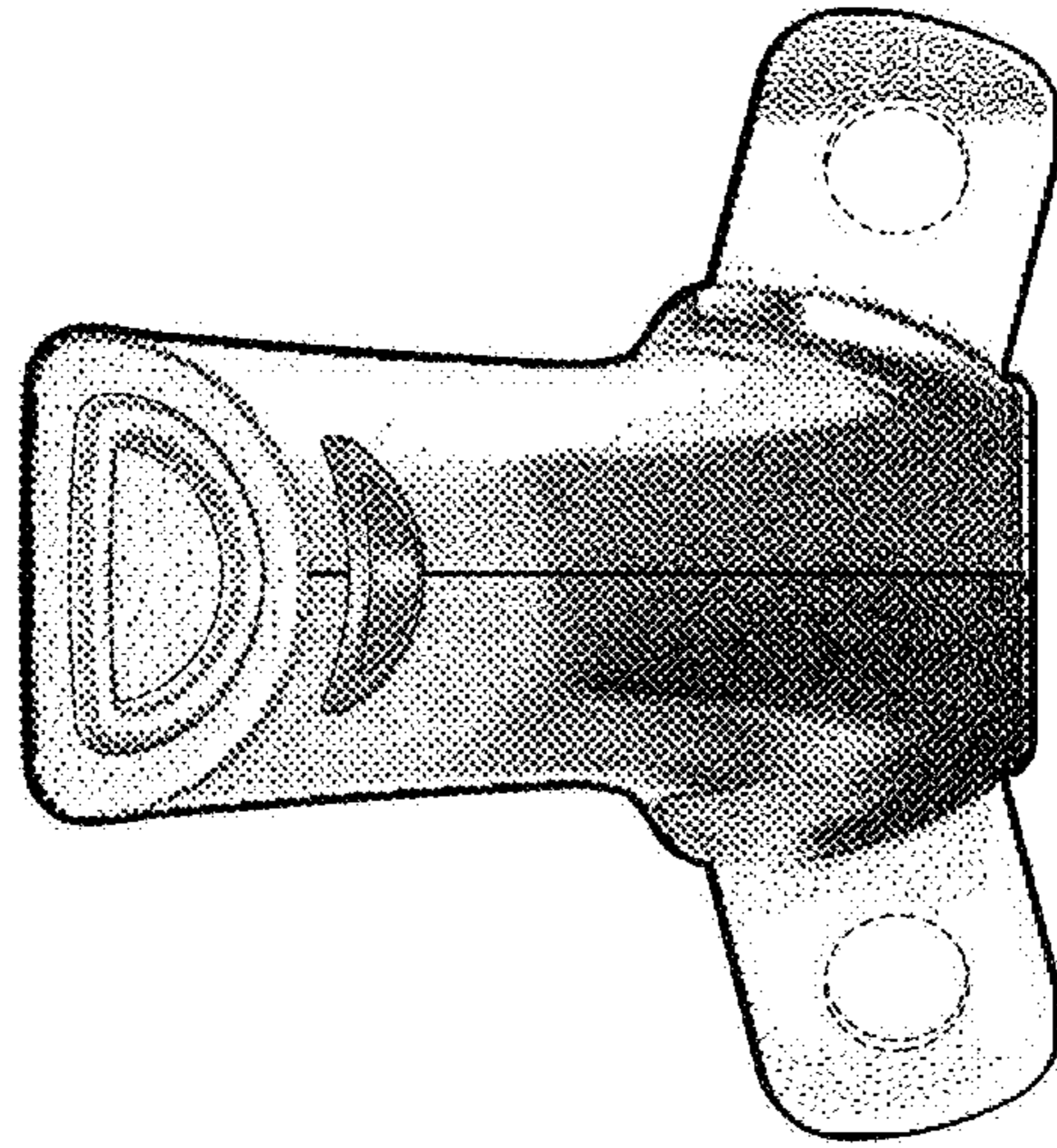


FIG. 6

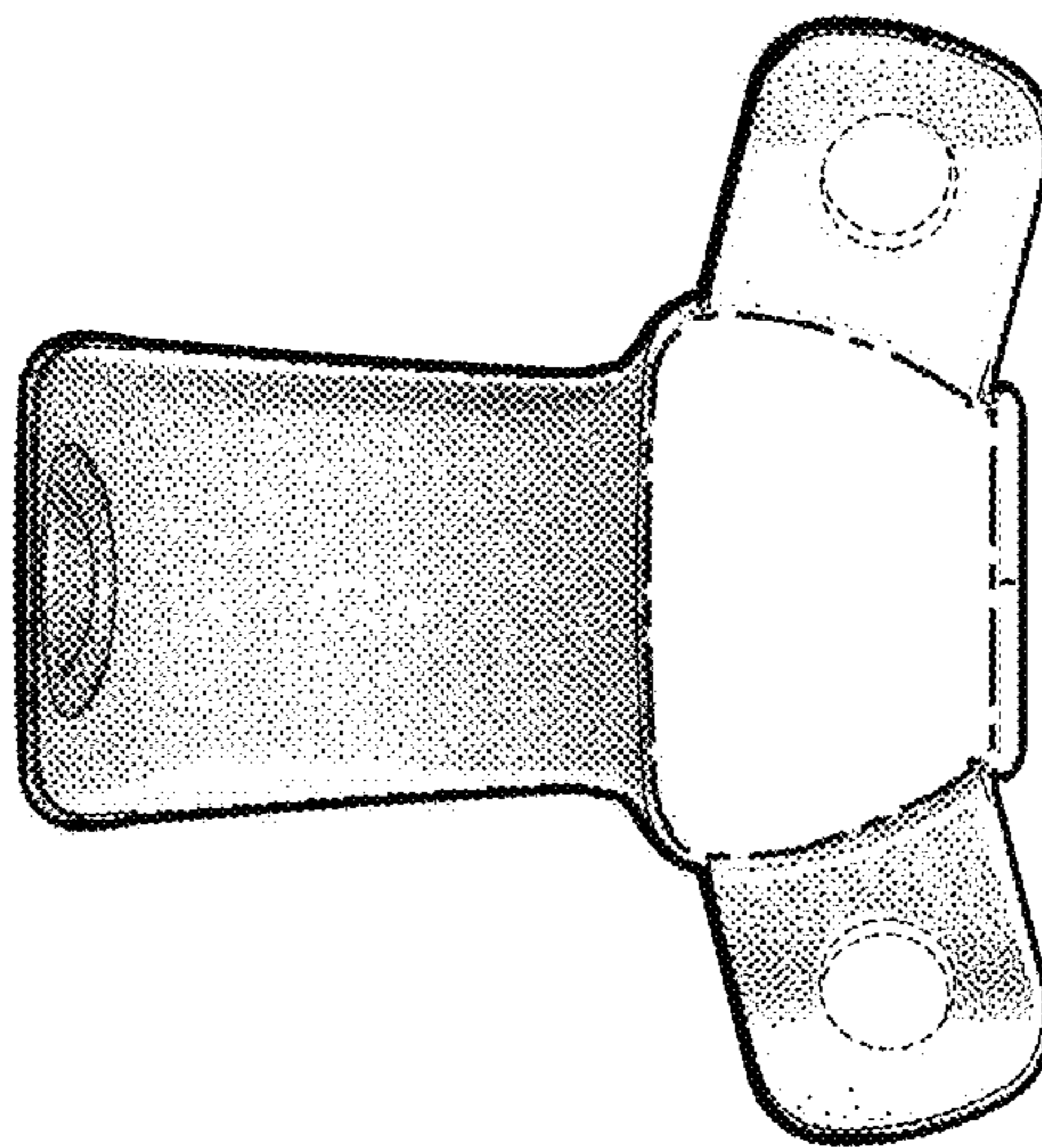


FIG. 5