



US00D804241S

(12) **United States Design Patent** (10) **Patent No.:** **US D804,241 S**
Gordon (45) **Date of Patent:** **** Dec. 5, 2017**

(54) **BEVERAGE CONTAINER LID**

(71) Applicant: **CamelBak Products, LLC**, Petaluma, CA (US)

(72) Inventor: **William Gordon**, Petaluma, CA (US)

(73) Assignee: **CamelBak Products, LLC**, Petaluma, CA (US)

(**) Term: **15 Years**

(21) Appl. No.: **29/565,333**

(22) Filed: **May 19, 2016**

(51) **LOC (10) Cl.** **07-01**

(52) **U.S. Cl.**
USPC **D7/392.1**

(58) **Field of Classification Search**
USPC D7/391, 392, 392.1, 396.1, 396.2, 509, D7/510, 511, 514, 518; D9/435, 436, D9/440, 447, 451, 516, 530, 738
CPC B65D 47/2037
See application file for complete search history.

(56) **References Cited**

U.S. PATENT DOCUMENTS

4,949,865 A 8/1990 Turner
D315,475 S * 3/1991 Finger D7/392.1
5,244,113 A 9/1993 Stymiest
5,415,312 A 5/1995 Mueller
5,456,380 A 10/1995 Ito et al.
D369,108 S * 4/1996 Haske D9/447
D377,293 S 1/1997 Husted
D415,027 S * 10/1999 Blazar D9/440
D416,755 S * 11/1999 Trombly D7/392.1
D417,819 S 12/1999 Kelly-Pollet
D457,389 S 5/2002 Snell
D457,779 S 5/2002 Gullickson et al.
6,419,108 B1 7/2002 Toida et al.
D466,371 S 12/2002 Parker
D472,101 S 3/2003 Janky
6,578,726 B1 6/2003 Schaefer
D479,671 S 9/2003 Gluck
D488,348 S 4/2004 Liu
D490,274 S 5/2004 Irvine

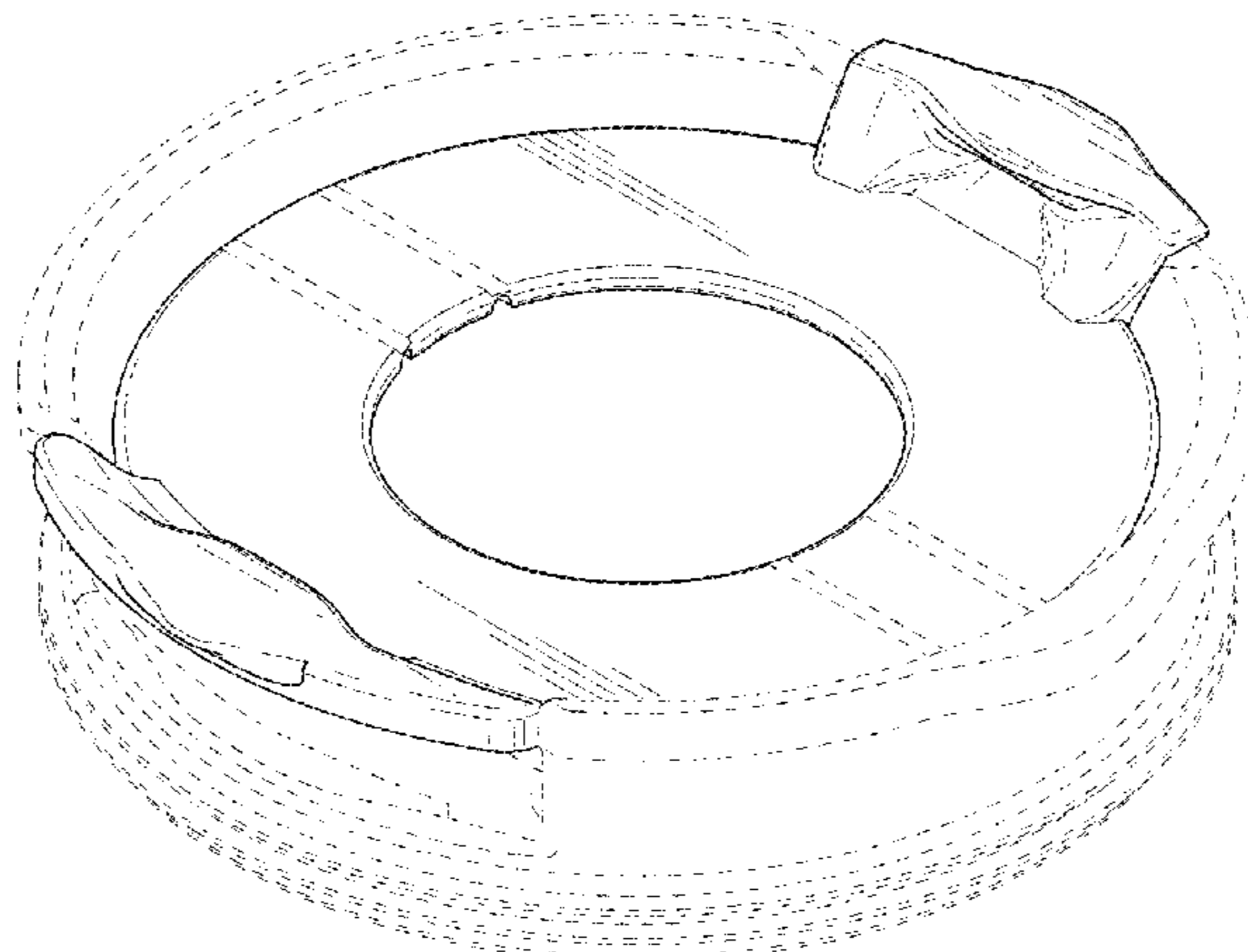
6,783,019 B2 8/2004 Zettle et al.
6,886,707 B2 5/2005 Giraud
7,121,438 B2 10/2006 Hoepner et al.
D531,856 S 11/2006 Seum et al.
D544,749 S * 6/2007 Seum D7/392.1
D564,830 S 3/2008 Holmes
D568,107 S 5/2008 Bhavnani
D569,183 S 5/2008 Blake
D584,566 S 1/2009 Fuller
D600,073 S 9/2009 Carreno
D621,207 S * 8/2010 Bodum D7/392.1
7,866,183 B2 1/2011 Roth et al.
D647,753 S * 11/2011 Lin D7/392.1
D648,599 S 11/2011 Watanabe et al.
D658,059 S * 4/2012 Bailey D9/447
8,276,776 B2 10/2012 Roth et al.
8,459,485 B2 6/2013 Rathbone et al.
8,459,510 B2 6/2013 Richards et al.
8,522,997 B2 9/2013 Lane et al.
8,544,677 B2 10/2013 Selina et al.
8,550,313 B2 * 10/2013 Daggett B65D 43/161
215/235

D696,906 S 1/2014 Roth
D697,802 S 1/2014 Lane
8,636,166 B2 1/2014 Lane
8,672,174 B1 3/2014 McMullin
8,690,026 B2 4/2014 Richards et al.
D704,510 S 5/2014 Mason et al.
8,757,452 B2 6/2014 Richards et al.
D710,155 S 8/2014 Tatsukawa
8,870,010 B2 10/2014 Buck
D719,408 S 12/2014 Weber
8,919,593 B2 12/2014 Sinacori et al.
D729,581 S 5/2015 Boroski
D731,251 S 6/2015 Lane
D751,345 S 3/2016 Lane et al.
D770,852 S * 11/2016 Vu D7/510

2004/0226950 A1 11/2004 Samz et al.
2006/0096983 A1 5/2006 Patterson
2006/0213912 A1 9/2006 Zaytoun
2009/0294460 A1 12/2009 Hovsepian et al.
2010/0127011 A1 5/2010 Britto et al.
2010/0140304 A1 * 6/2010 Walunis B65D 43/161
222/480

2011/0095039 A1 4/2011 Mello
2011/0114655 A1 * 5/2011 Bailey B65D 43/0214
220/713

2011/0174658 A1 7/2011 Otsubo
2011/0309094 A1 12/2011 Bodum
2012/0285961 A1 11/2012 Roth et al.
2014/0251152 A1 9/2014 Tien
2015/0196149 A1 * 7/2015 Savenok B65D 85/72
220/577



FOREIGN PATENT DOCUMENTS

CN	201390448 Y	1/2010
KR	3007267800000	2/2014
KR	3007879990000	3/2015
WO	WO 2003/024825	3/2003
WO	WO 2012/173869	12/2012
WO	WO 2015/109197	7/2015
WO	WO 2015/147968	10/2015

OTHER PUBLICATIONS

“Orca Whale Tail Flip Flop Chaser Cup Lid”. Found online Mar. 16, 2017 at amazon.com. Page dated Oct. 16, 2016. Retrieved from https://www.amazon.com/ORCA-Flip-Chaser-Lid-Black/dp/B01HRPQ2RA/ref=cm_cr_arp_d_product_top?ie=UTF8.*

“Magic Bullet Flip Top Lids”. Found online Mar. 16, 2017 at amazon.com. Page dated Dec. 31, 2012. Retrieved from https://www.amazon.com/Magic-Bullet-Flip-Replacement-Original/dp/B00AV553ME/ref=sr_1_178?ie=UTF8&qid=1489696166&sr=8-178&keywords=mug+lid.*

“Klean Kanteen Pint Lid”. Found online Mar. 16, 2017 at amazon.com. Page dated Nov. 17, 2009. Retrieved from https://www.amazon.com/Klean-Kanteen-Stainless-D-Ring-Bottle/dp/B0093IKZGY/ref=cm_cr_arp_d_product_top?ie=UTF8.*

“Camelbak Podium Bottles Have the Flow”. Found online Mar. 16, 2017 at feedthehabit.com. Page dated Sep. 14, 2014. Retrieved from <https://www.feedthehabit.com/road-biking/new-camelbak-podium-bottles-flow/>.*

MiiR Coffee Cup—12oz, product information page downloaded from www.backcountry.com/miir-coffee-cup-12oz available at least as early as Jan. 5, 2014.

Gribbins, Keith, “Pass or Fail? The Hydro Flask True Pint,” www.craftbrewingbusiness.com/news/hydro-flask-true-pint/, Feb. 13, 2015.

Lemke, Eric, “Liquid Test: YETI Rambler ‘Personal Drink Cooler,’” gearjunkie.com/yeti-rambler-tumbler-review, Oct. 28, 2015.

Klean Kanteen, Insulated Tumbler 16oz, product information page downloaded from <http://www.kleankanteen.com/products/insulated-tumblers-cups-16oz>, available at least as early as Sep. 19, 2015.

Contigo Thermalock™ Ultimate Party Cup, product information page downloaded from www.gocontigo.com/16-oz-ultimate-party-cup.html, available at least as early as May 4, 2015.

Stanley Classic Vacuum Pint—16oz, product information page downloaded from www.backcountry.com/Stanley-classic-spirits-vacuum-pint-16oz, available at least as early as Jan. 30, 2016.

Collection Logo, “Logo Travel Mugs—The Gifts of Appreciation For Your Customers,” <http://gallerylogo.blogspot.com/2012/05/logo-travel-mugs-gifts-of-appreciation.html>, May 2012.

Greek Gear, Engraved Fraternity & Sorority Travel Mug, product information page downloaded from www.greekgear.com/entrmug.html, available at least as early as Mar. 29, 2010.

Stonekettle Station, “Latest From the Shop—Lathe Turned Coffee Mug,” www.stonekettle.com/2010/05/latest-from-shop-lathe-turned-coffee.html, May 15, 2010.

Stainless Steel Travel Mug, product information page downloaded from www.okokchina.com/p/Travel-Mug/Stainless-Steel-Travel-Mug-162373.html, available at least as early as Jan. 25, 2008.

English-language machine translation of Chinese Patent No. 201390448Y, Global Patent Solutions, Jan. 27, 2010.

Best Morning Ever Coffee Mug for Warm Coffee With Steaming Donut, downloaded from <http://www.homecrux.com/2015/11/21/38405/best-morning-ever-coffee-mug-offers-warm-coffee-and-donut.html> on Jan. 5, 2016.

Copco Travel Mug, downloaded from <http://www.all-the-best-coffee-mugs.com/dishwasher-safe-travel-mug.html> on Jan. 5, 2016.

Insulated Mug, downloaded from <http://completecareshop.co.uk/drinking-aids/insulated-mugs/insulated-mug> on Jan. 5, 2016.

Klean Kanteen Pint Lid, downloaded from <http://www.rei.com/product/868053/klean-kanteen-pint-lid> on Jan. 21, 2016.

Organize-it Ceramic Travel Mug, downloaded from <http://www.organizeit.com/ceramic-travel-mug-deer.asp> on Jan. 5, 2016.

Thermos 16 Ounce Stainless Steel Travel Tumbler, downloaded from <http://www.amazon.com/Thermos-Ounce-Stainless-Travel-Tumbler/product-reviews/B000NZVA6U> on Jan. 5, 2016.

* cited by examiner

Primary Examiner — Robert M. Spear
Assistant Examiner — Kendra L Hamilton
 (74) *Attorney, Agent, or Firm* — Dascenzo Intellectual Property Law, P.C.; David S. D’Ascenzo

(57) **CLAIM**

The ornamental design for a beverage container lid, as shown and described.

DESCRIPTION

FIG. 1 is a top right rear perspective view of a first embodiment of a beverage container lid, showing my new design in condition of use;
 FIG. 2 is a bottom left front perspective view thereof.
 FIG. 3 is a rear elevational view thereof.
 FIG. 4 is a front elevational view thereof.
 FIG. 5 is a left elevational view thereof.
 FIG. 6 is a right elevational view thereof.
 FIG. 7 is a top plan view thereof.
 FIG. 8 is a bottom plan view thereof.
 FIG. 9 is a top right rear perspective view thereof, in a first alternate configuration of use;
 FIG. 10 is a top right rear perspective view thereof, in a second alternate configuration of use;
 FIG. 11 is a top right rear perspective view of a second embodiment of a beverage container lid, showing my new design in condition of use;
 FIG. 12 is a bottom left front perspective view thereof.
 FIG. 13 is a rear elevational view thereof.
 FIG. 14 is a front elevational view thereof.
 FIG. 15 is a left elevational view thereof.
 FIG. 16 is a right elevational view thereof.
 FIG. 17 is a top plan view thereof.
 FIG. 18 is a bottom plan view thereof.
 FIG. 19 is a top right rear perspective view thereof, in a first alternate configuration of use; and,
 FIG. 20 is a top right rear perspective view thereof, in a second alternate configuration of use.
 The broken lines shown in the drawings depict portions of the beverage container lid that form no part of the claimed design.
 The shading lines shown in the drawings represent the three-dimensional contour of the claimed design and are not intended to indicate surface decoration.

1 Claim, 9 Drawing Sheets

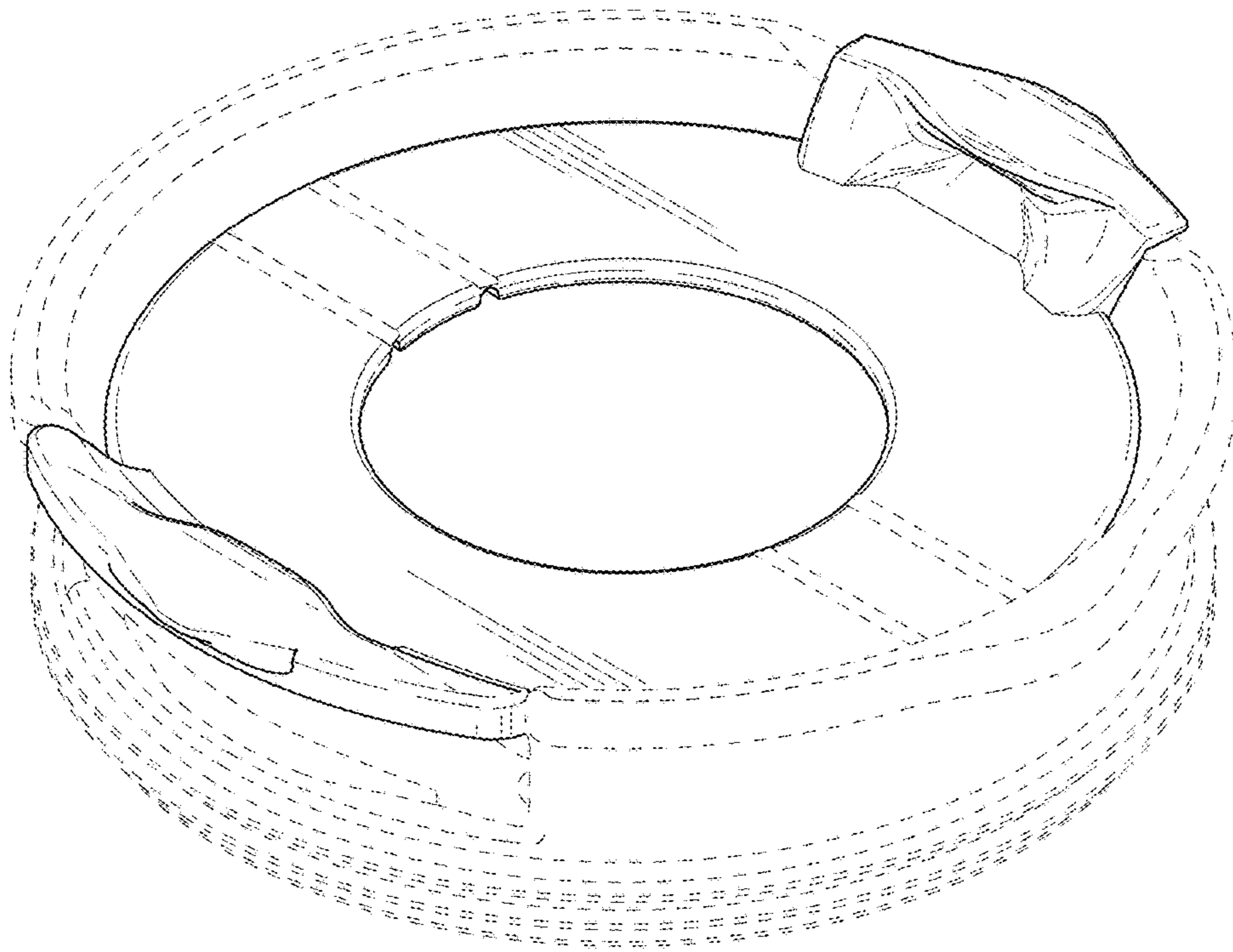


Fig. 1

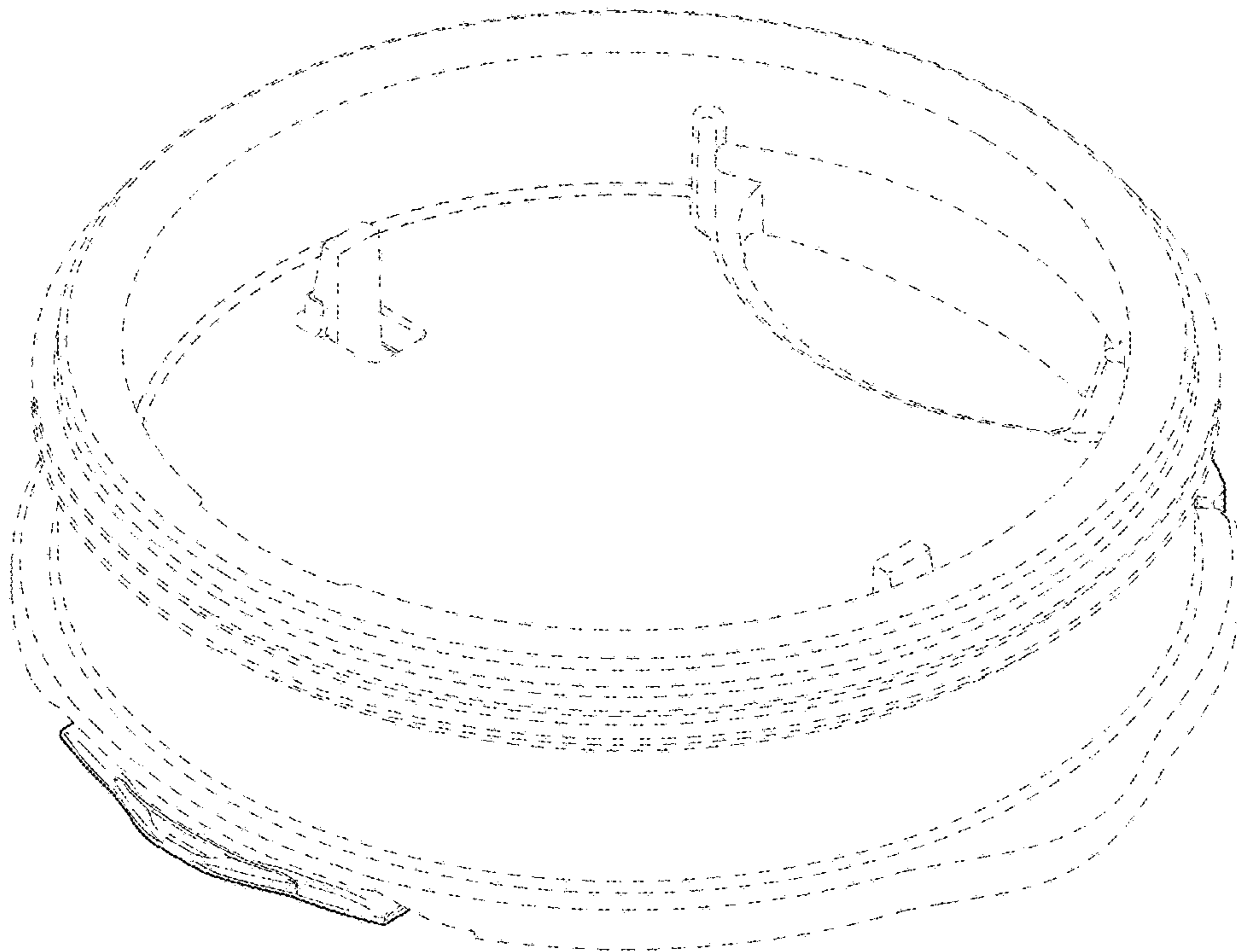


Fig. 2

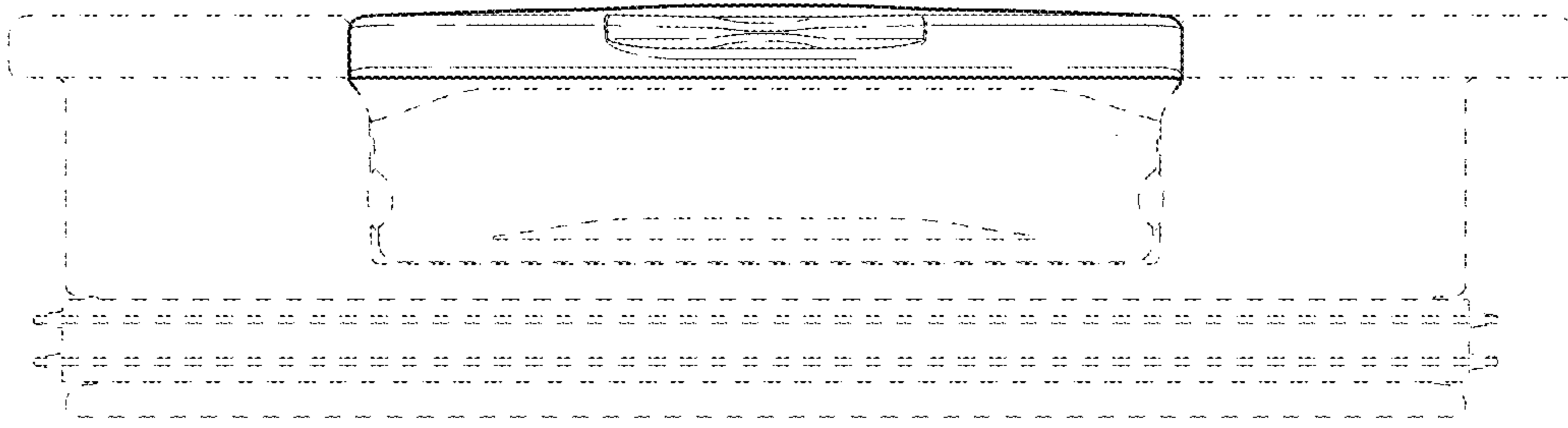


Fig. 3

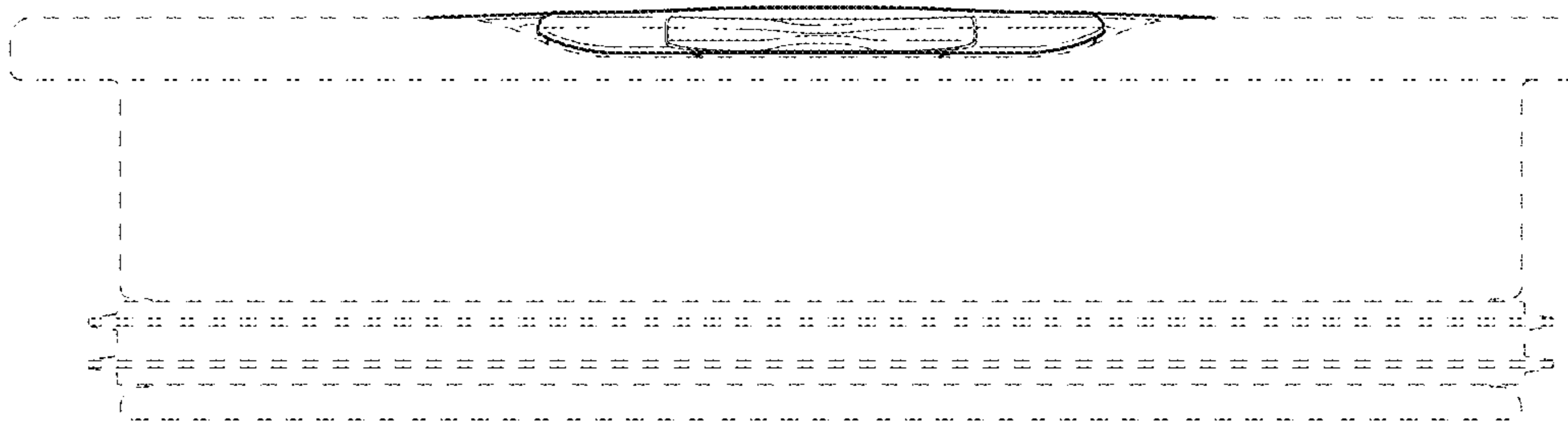


Fig. 4

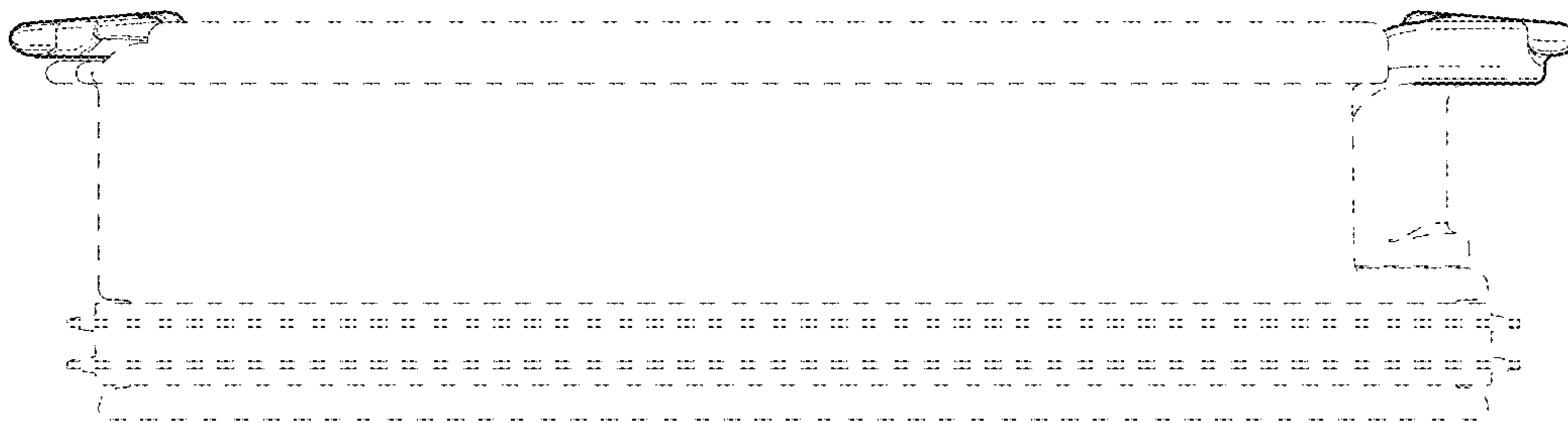


Fig. 5

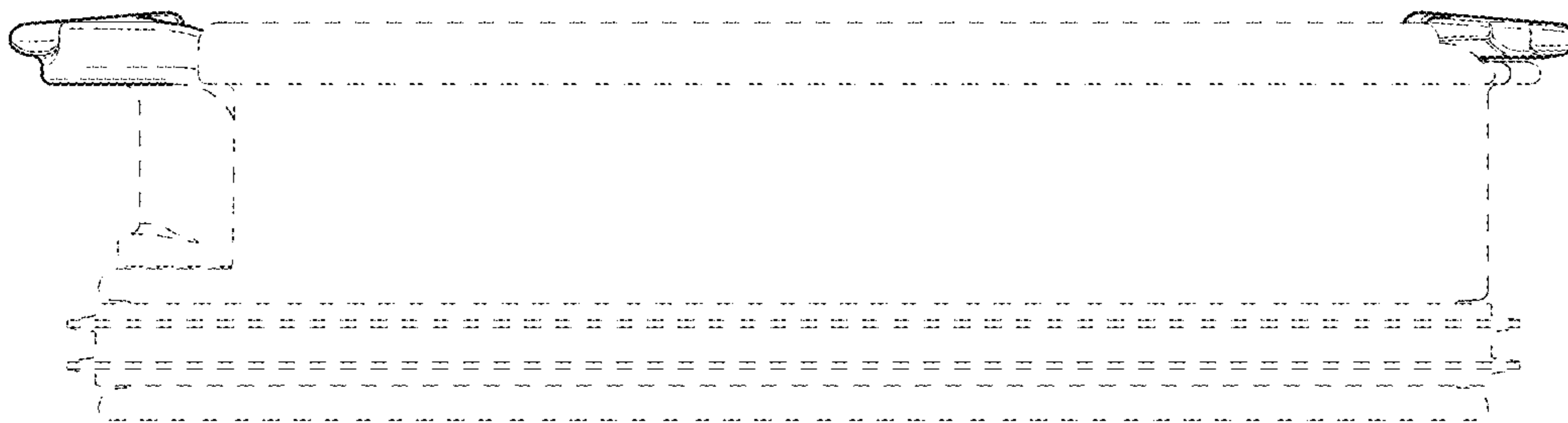


Fig. 6

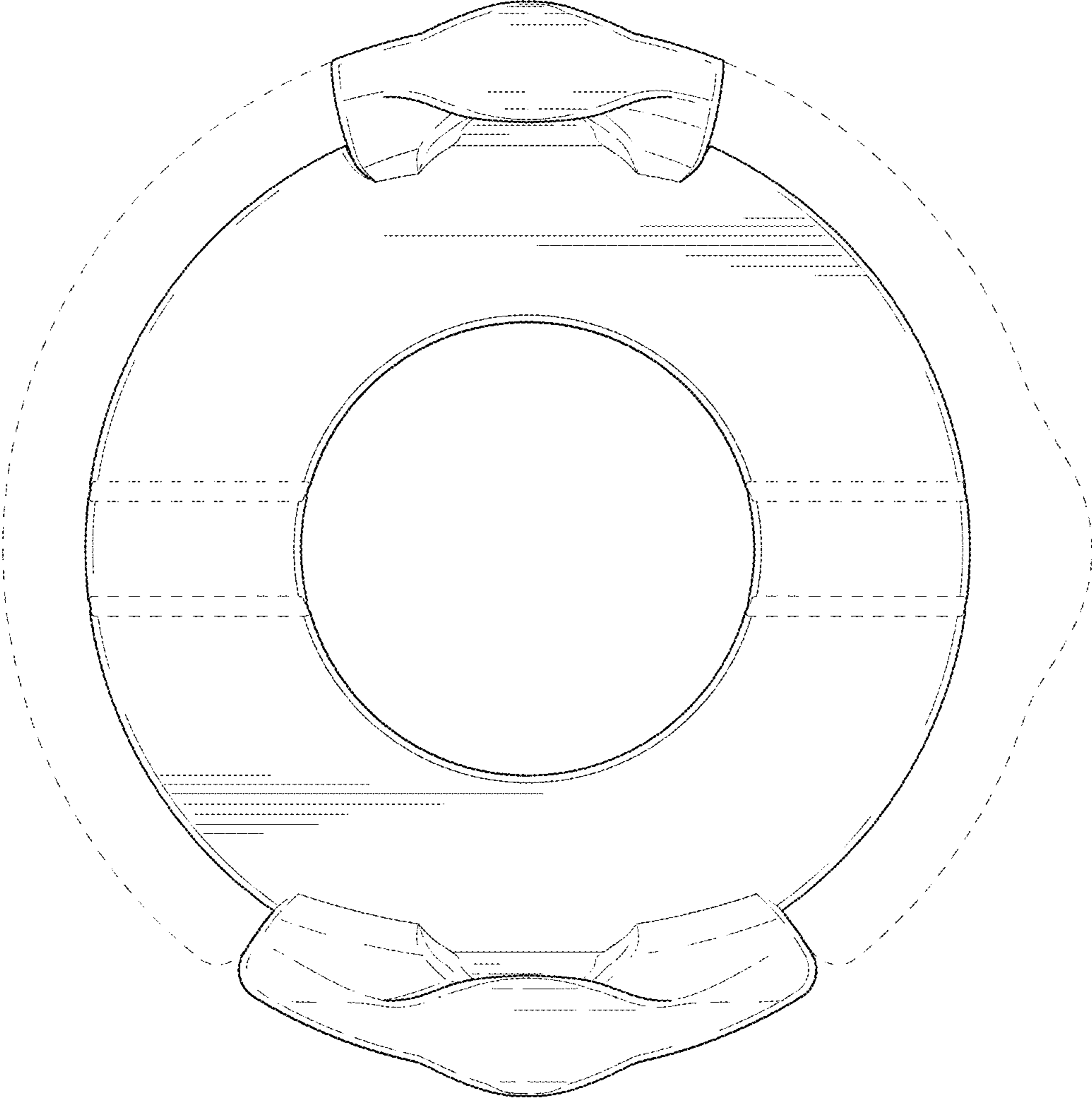


Fig. 7

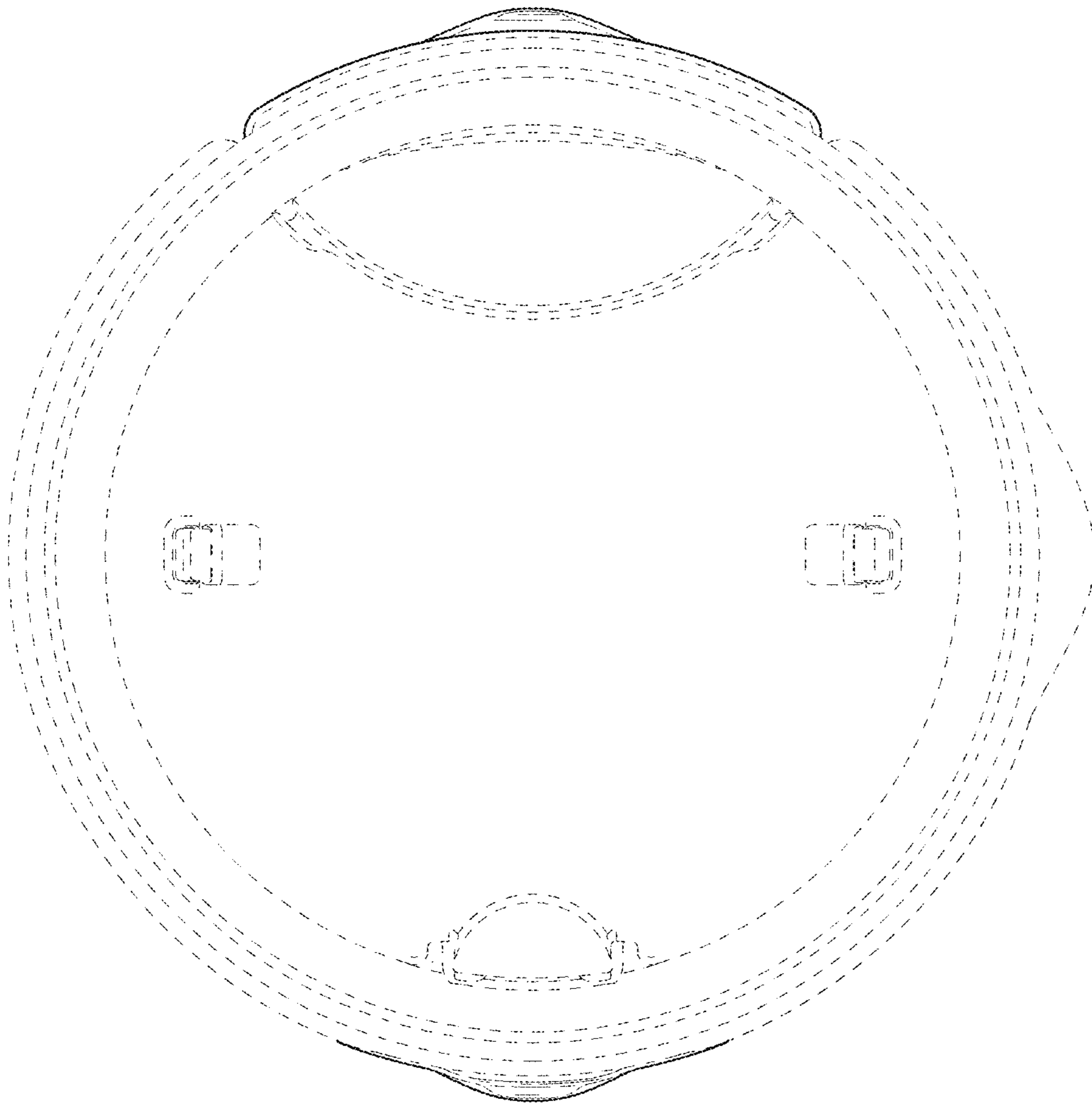


Fig. 8

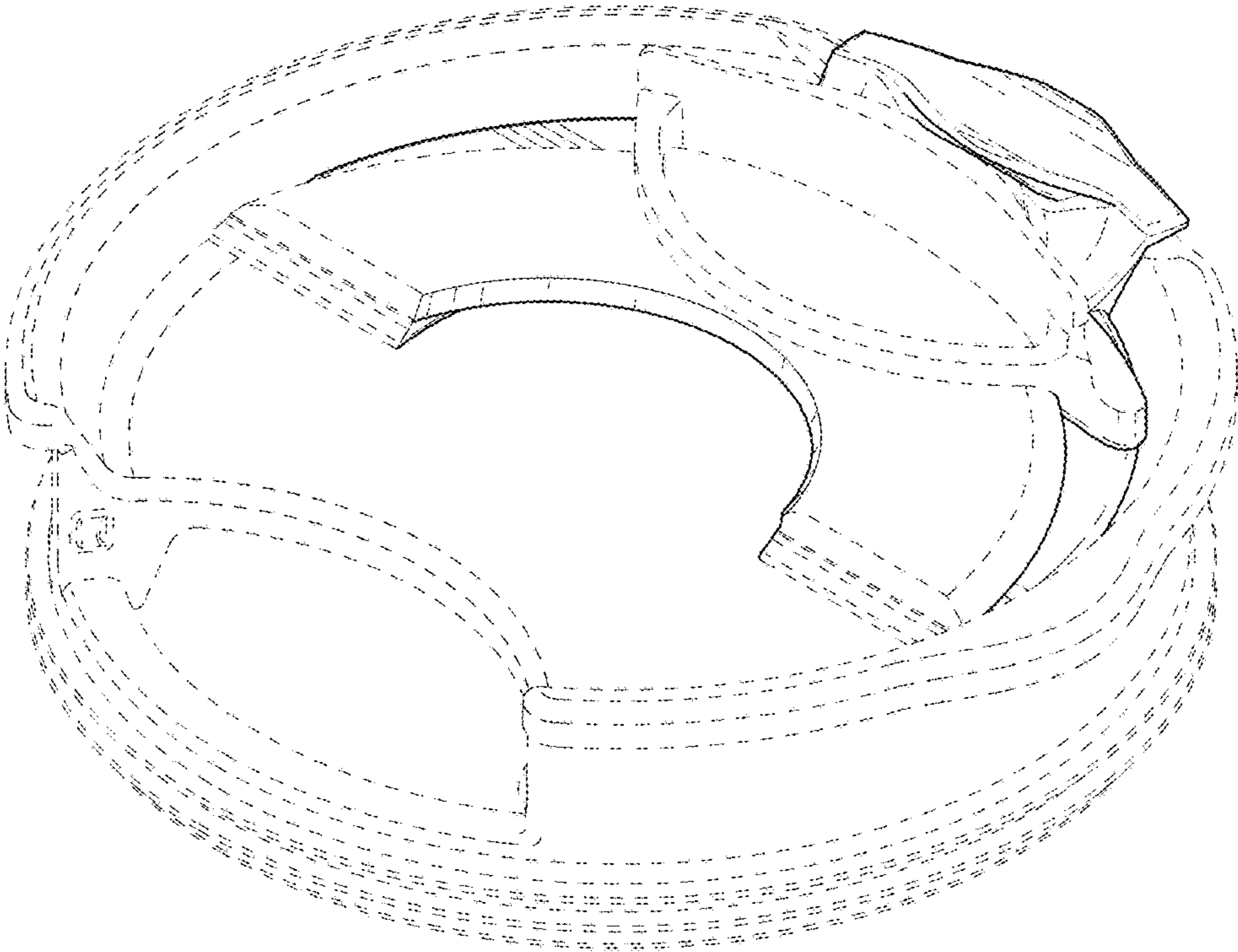


Fig. 9

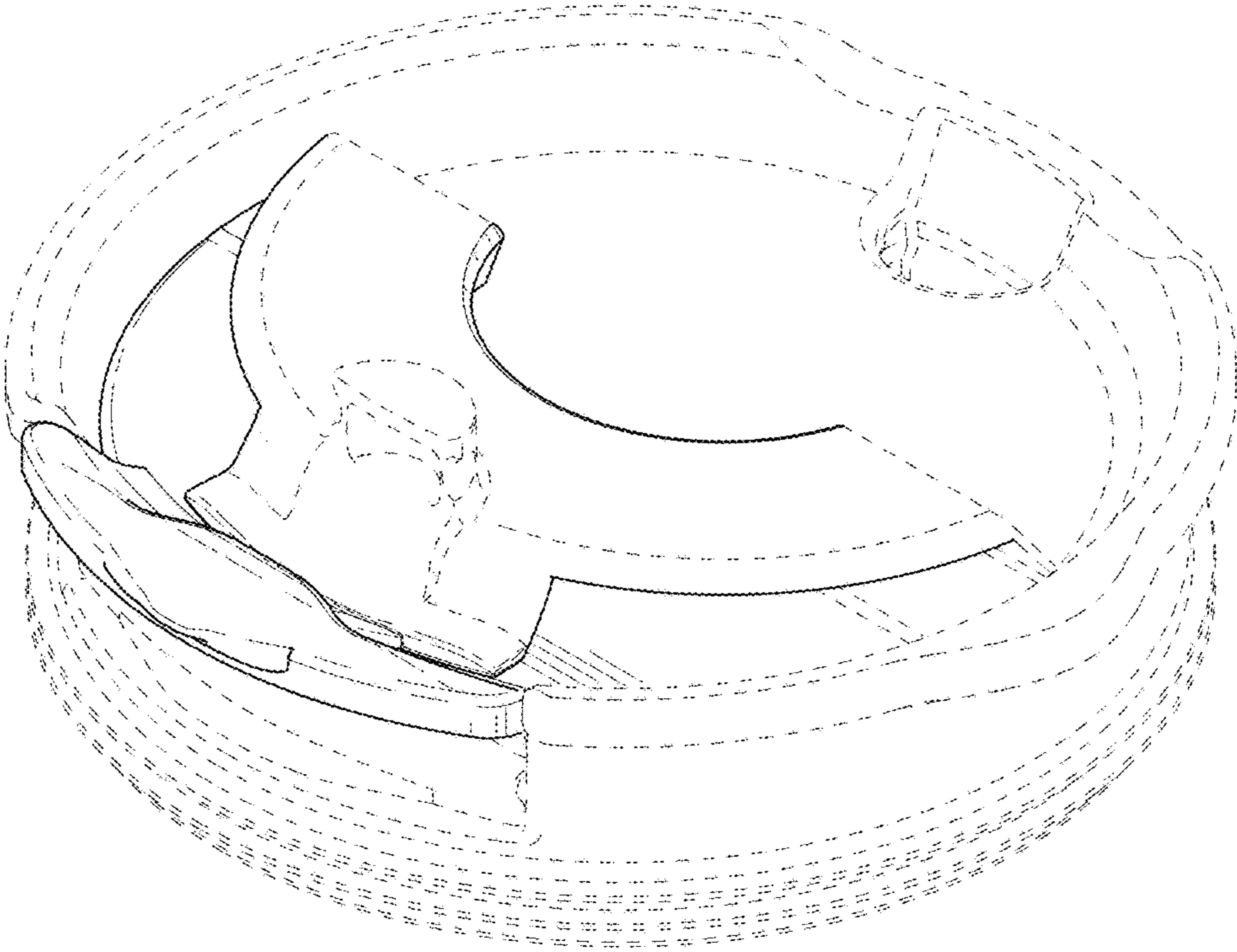


Fig. 10

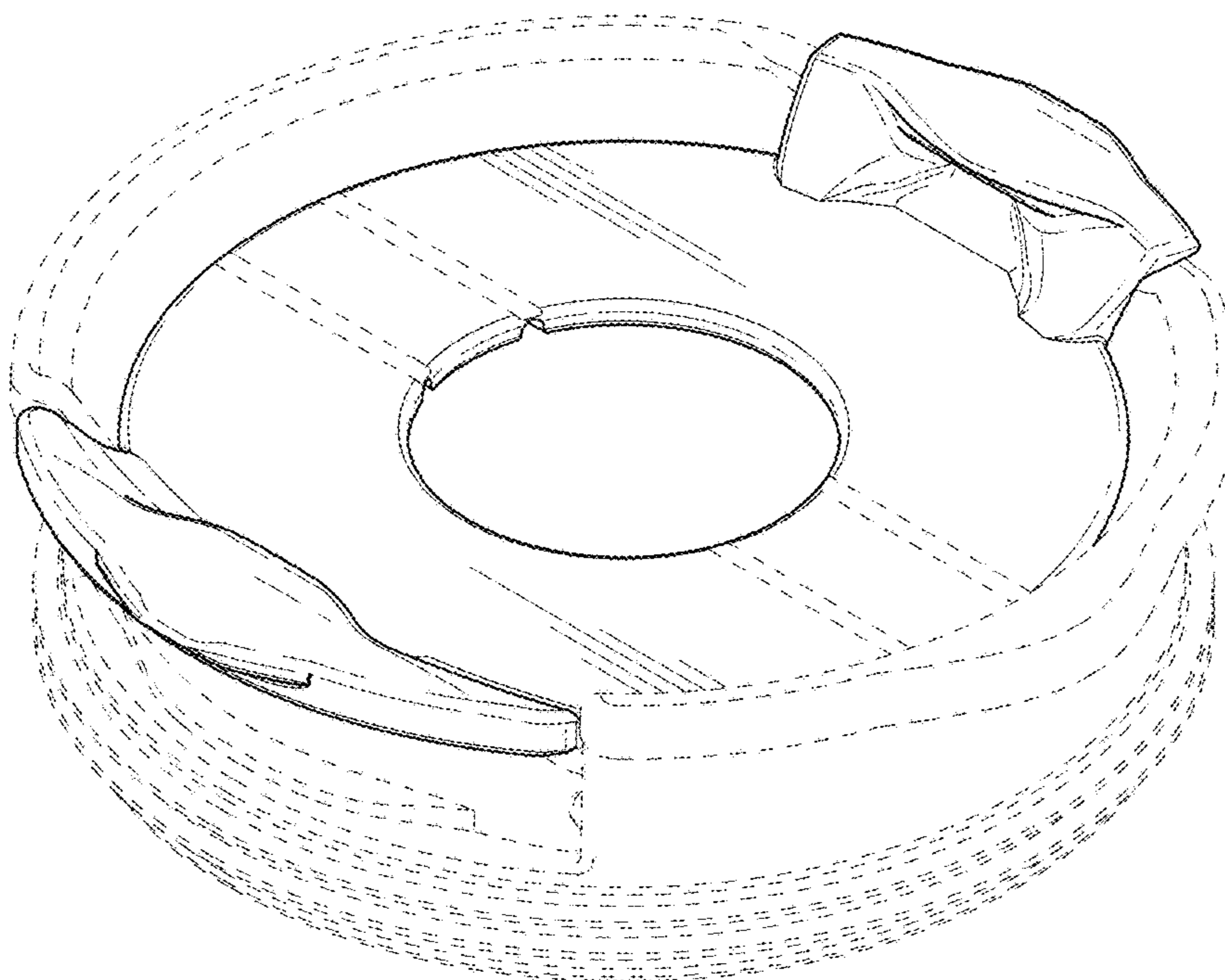


Fig. 11

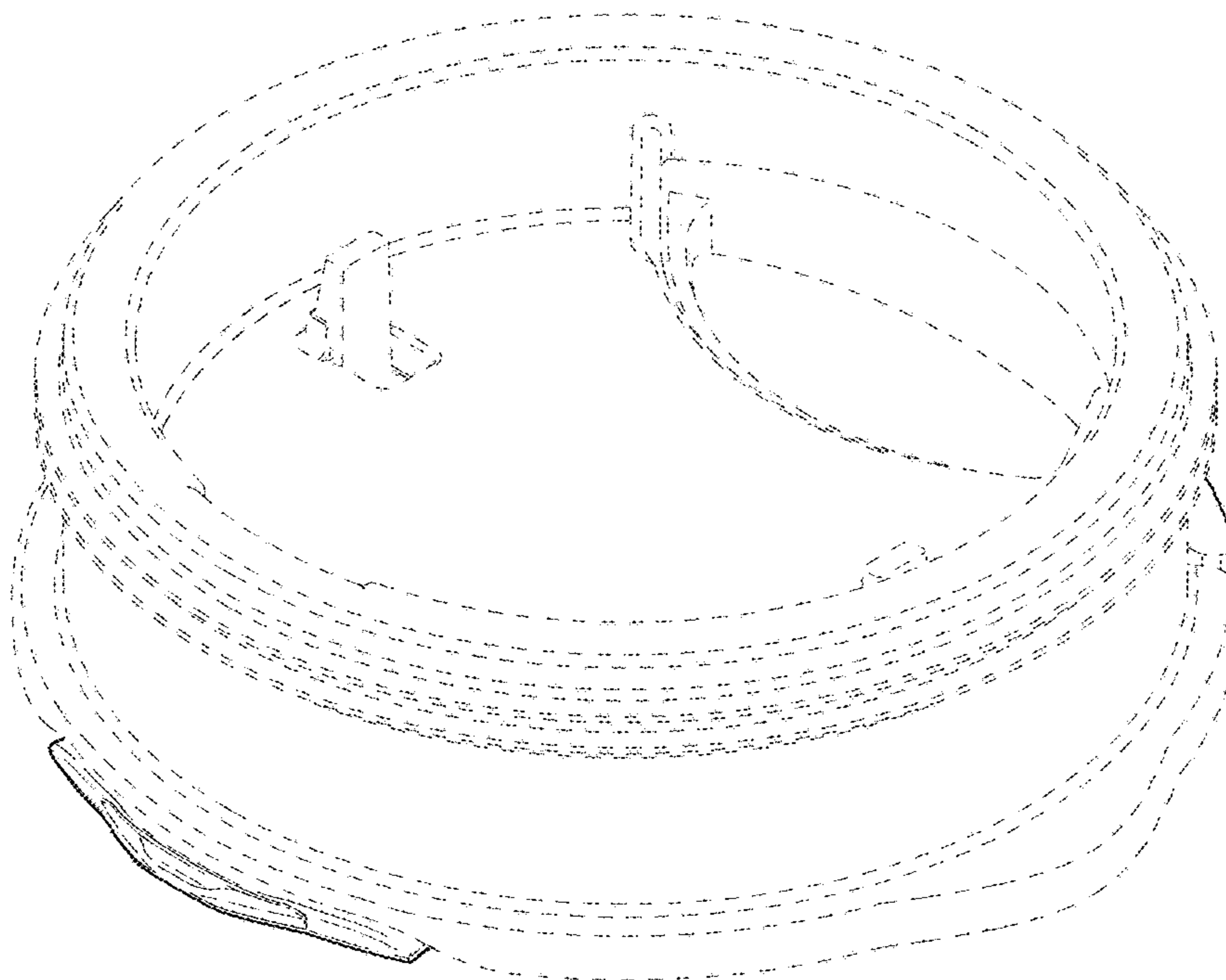


Fig. 12

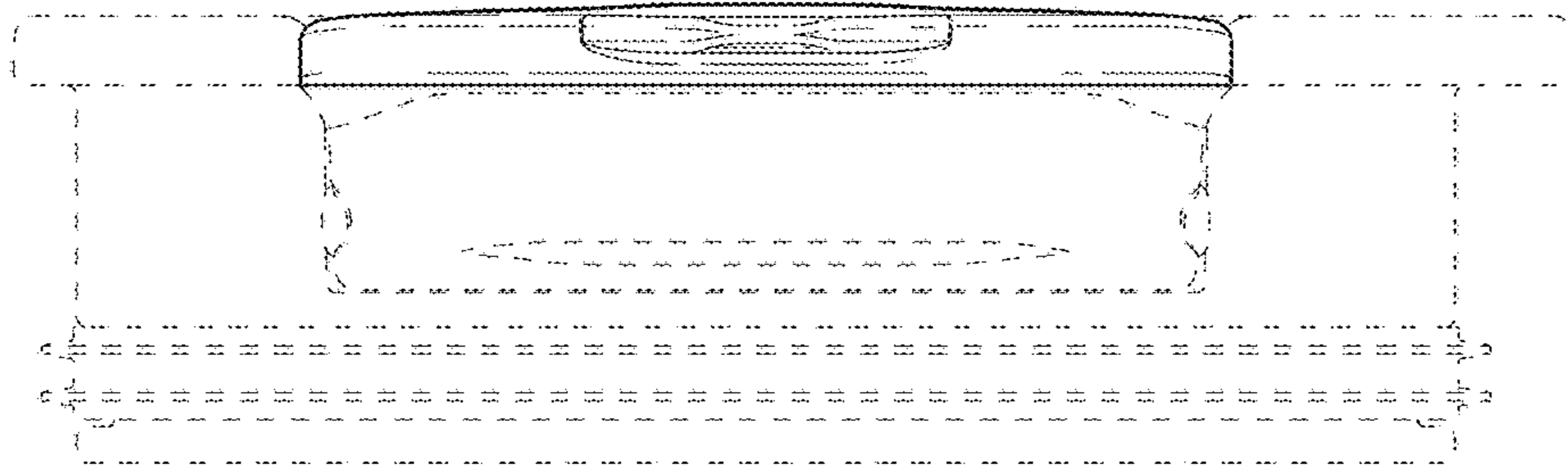


Fig. 13

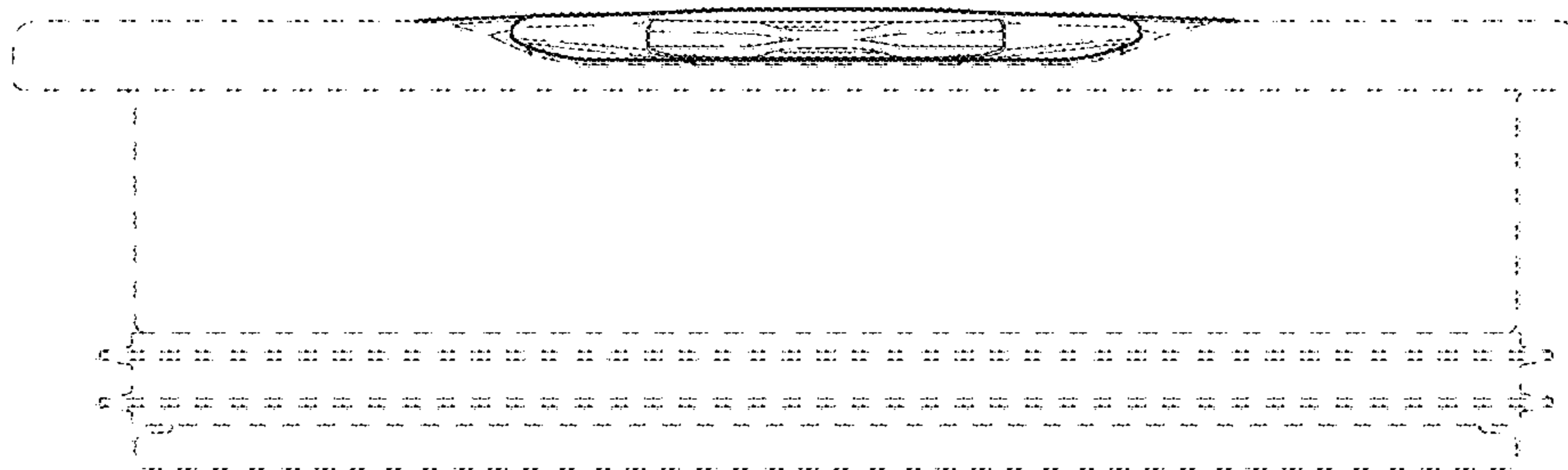


Fig. 14

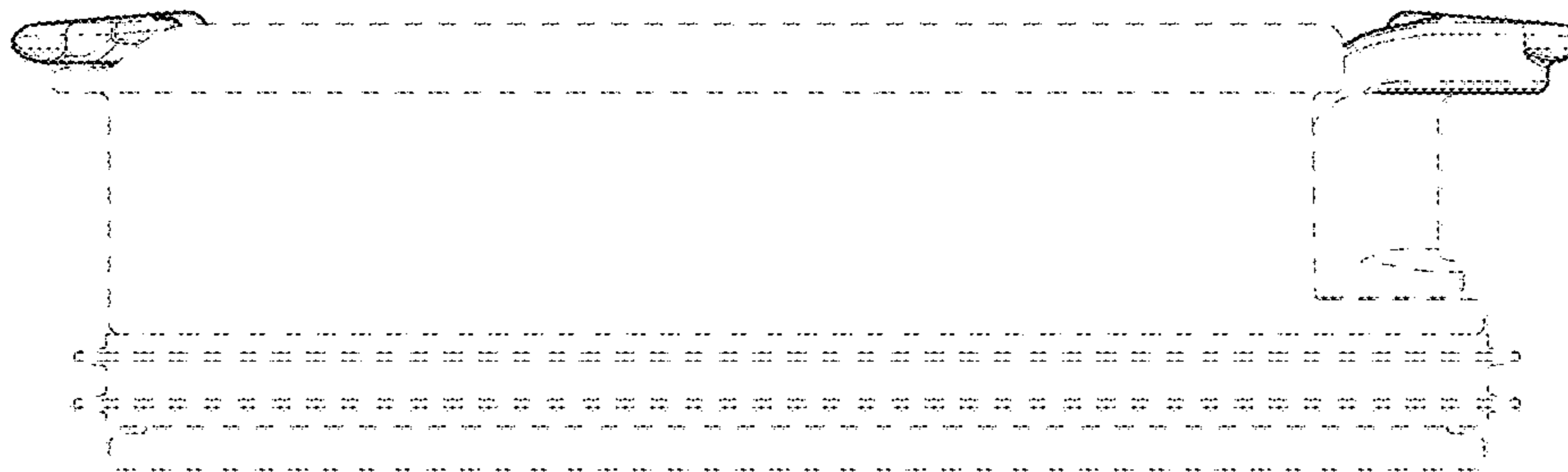


Fig. 15

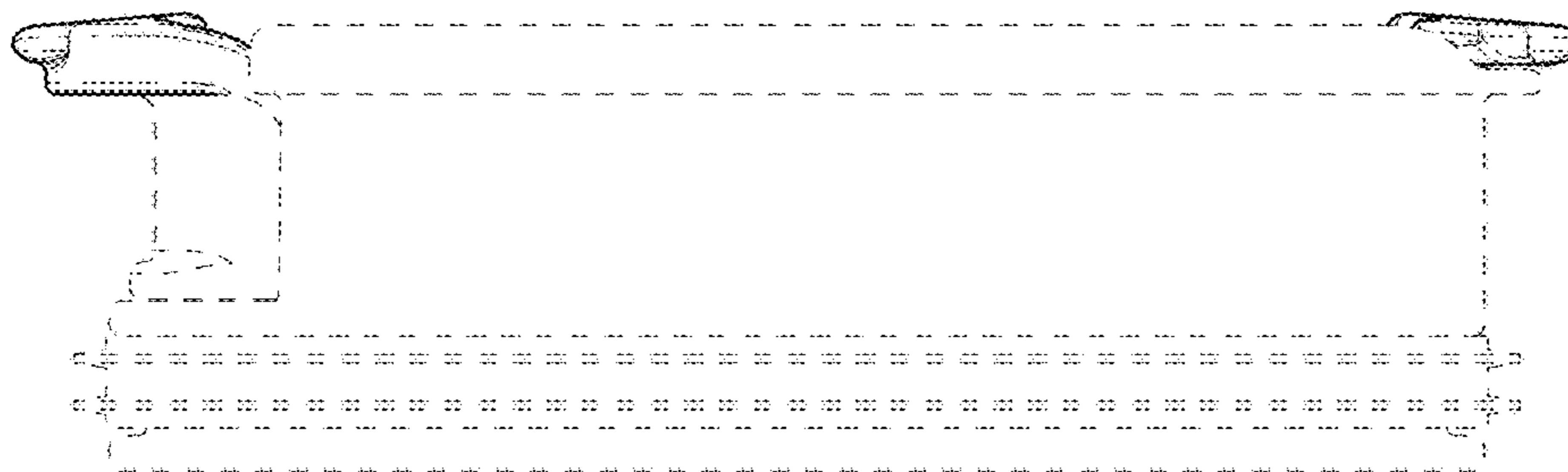


Fig. 16

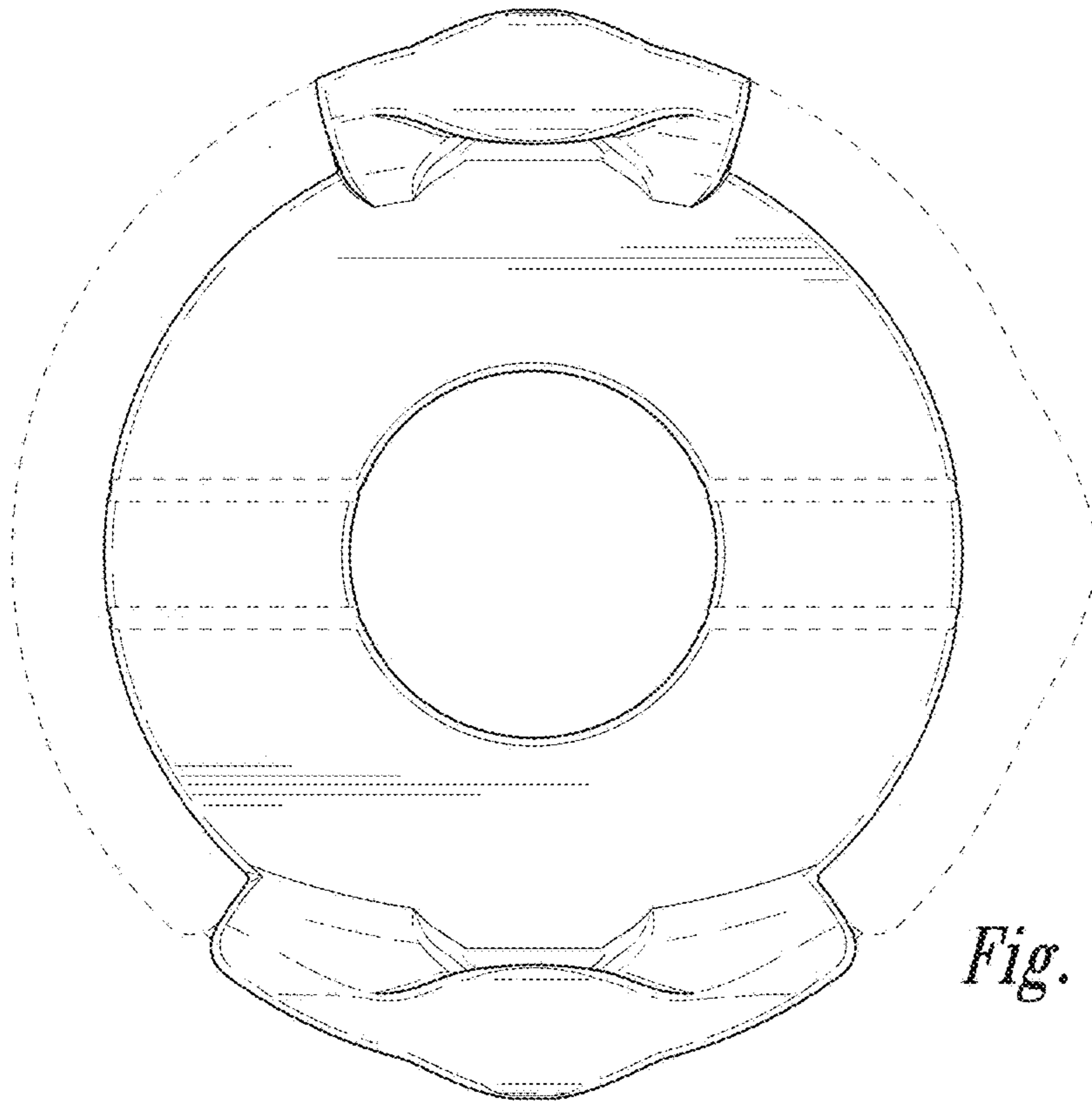


Fig. 17

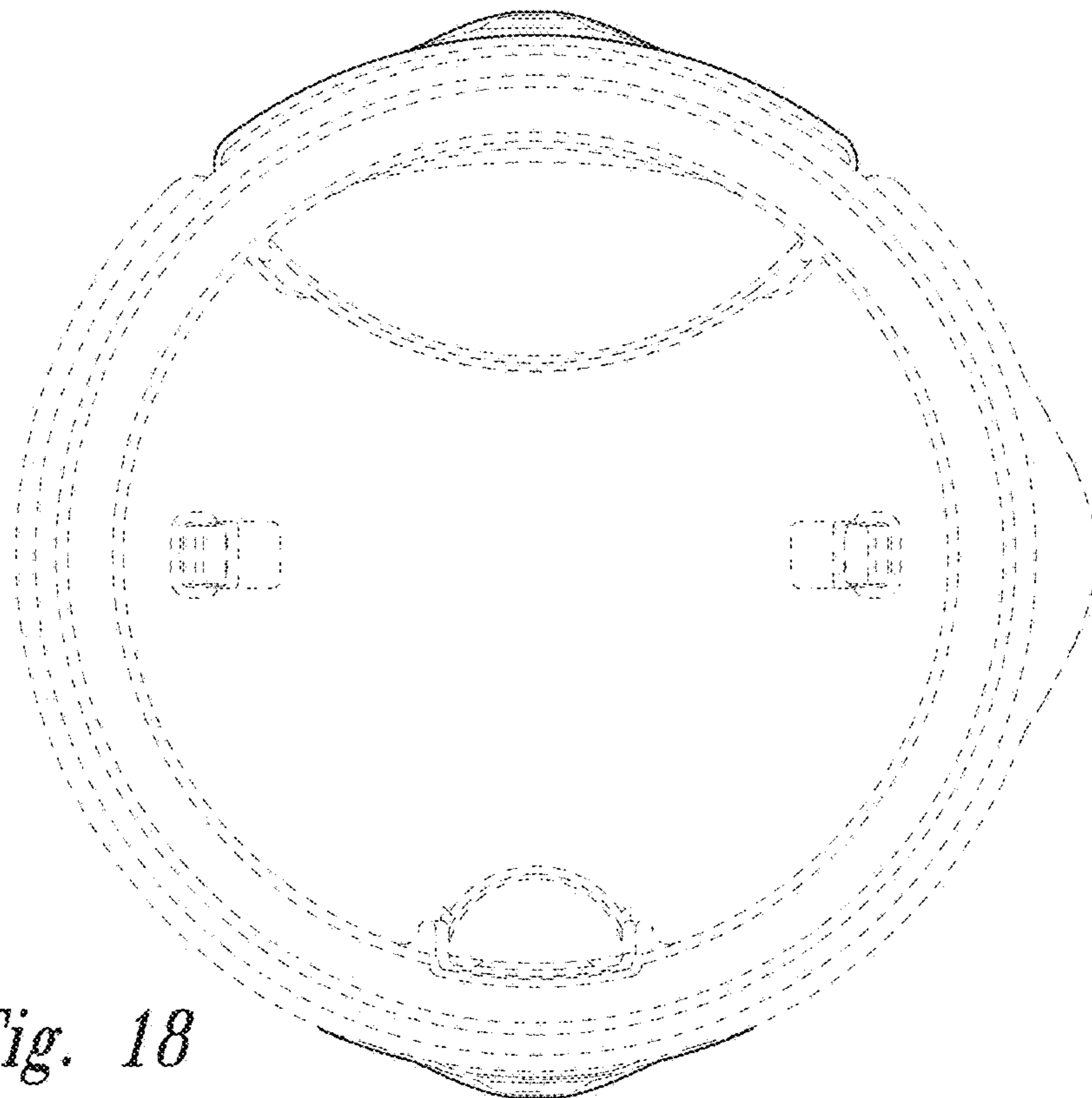


Fig. 18

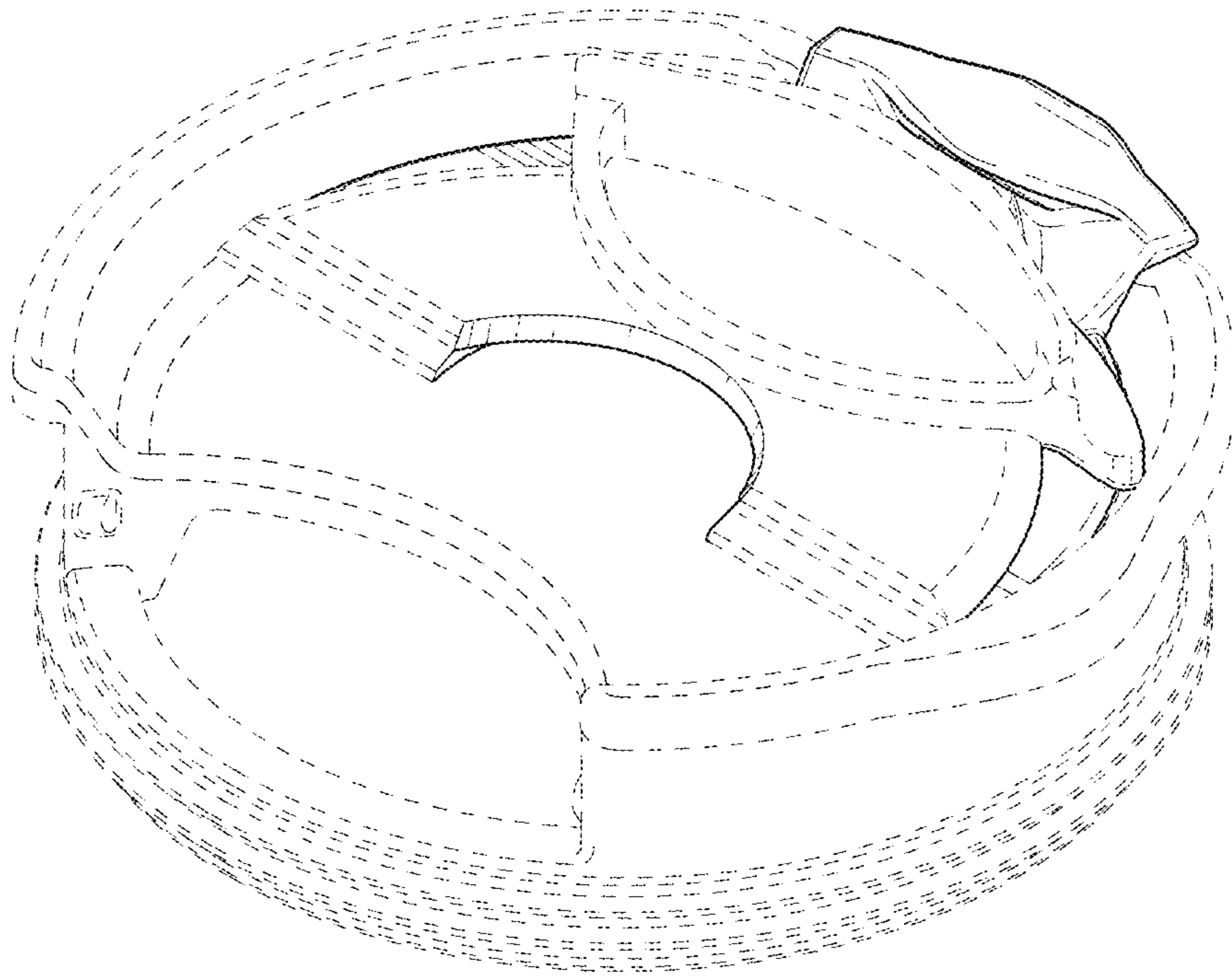


Fig. 19

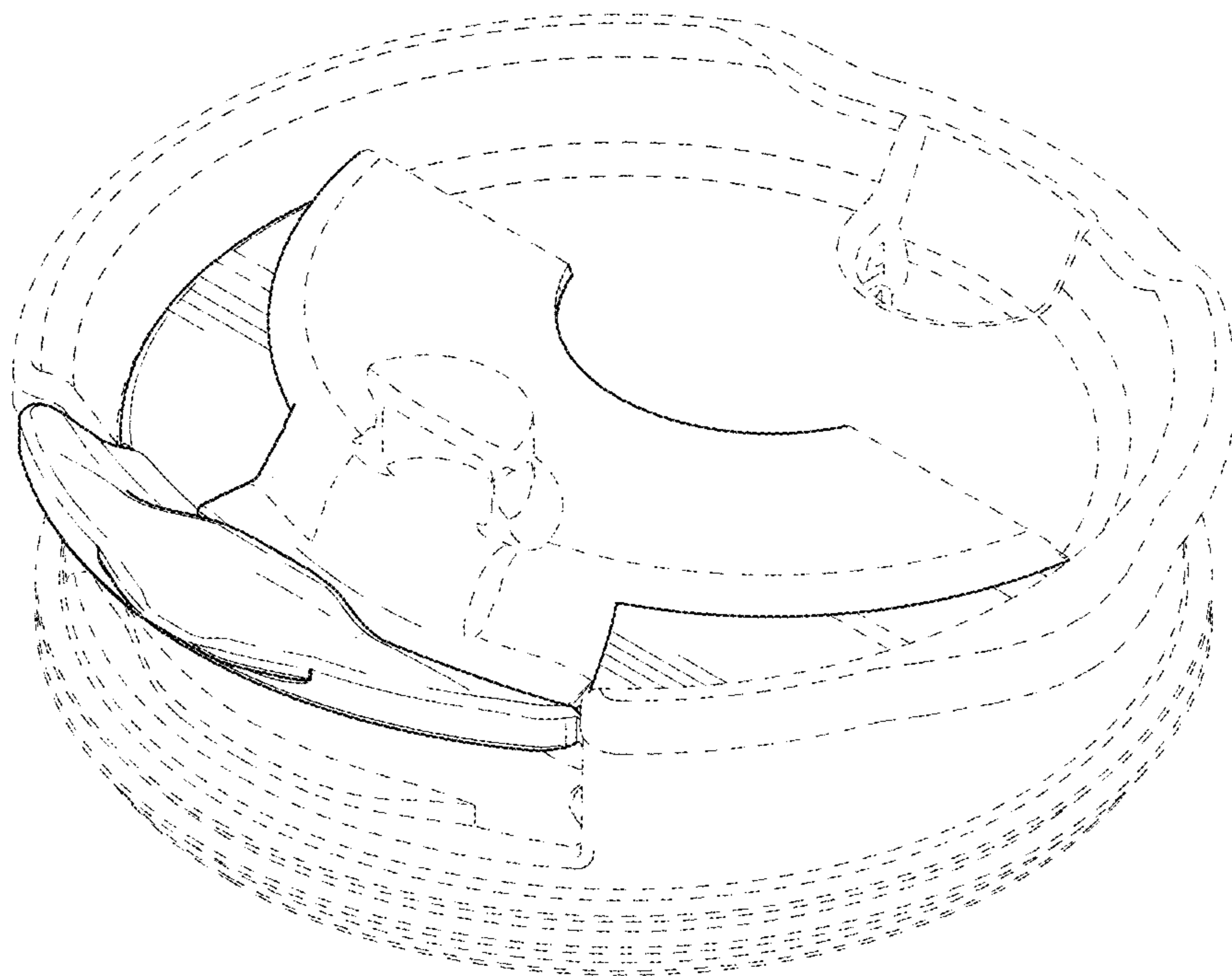


Fig. 20