



US00D804240S

(12) **United States Design Patent**
Freeman

(10) **Patent No.:** **US D804,240 S**

(45) **Date of Patent:** **** Dec. 5, 2017**

(54) **FOOD SERVICE COVER**

(71) Applicant: **CAMBRO MANUFACTURING COMPANY**, Huntington Beach, CA (US)

(72) Inventor: **Ernest F. Freeman**, Rancho Santa Margarita, CA (US)

(73) Assignee: **Cambro Manufacturing**, Huntington Beach, CA (US)

(**) Term: **15 Years**

(21) Appl. No.: **29/552,771**

(22) Filed: **Jan. 26, 2016**

(51) **LOC (10) Cl.** **07-01**

(52) **U.S. Cl.**
USPC **D7/391; D7/392.1**

(58) **Field of Classification Search**
USPC D7/354, 360, 391, 392, 392.1, 396.1, D7/511, 538, 542, 602, 629, 705; D9/424, 430, 435, 443, 452, 454
CPC B65D 51/00; A47F 3/146
See application file for complete search history.

(56) **References Cited**

U.S. PATENT DOCUMENTS

D157,363 S *	2/1950	Frankel	D7/391
D160,649 S *	10/1950	Muller-Munk	D7/391
D245,564 S *	8/1977	Blanchard	D7/392.1
D261,215 S *	10/1981	Groh	D7/391
D262,932 S *	2/1982	Daenen	D7/392.1
D266,818 S *	11/1982	Trombly	D7/392.1
D299,606 S *	1/1989	Pomroy	D7/542
5,111,956 A *	5/1992	Jow	A47G 19/26 220/811
5,605,646 A *	2/1997	Colombo	A47J 36/022 249/134

D420,285 S *	2/2000	Sagan	D9/435
D441,290 S *	5/2001	West	D9/443
D562,626 S *	2/2008	Freeman	D7/387
2012/0031901 A1 *	2/2012	Dudson	A47G 19/08 220/200

OTHER PUBLICATIONS

“The 12 Best Culinary Concepts from NRA 2016”. Found online Jun. 26, 2017 at blog.cambro.com. Page dated Jun. 1, 2016. Retrieved from <https://blog.cambro.com/2016/06/01/the-12-best-culinary-concepts-from-nra-2016-in-chicago/>.*

“Cambro Plate Covers are the Choice for Banquets”. Found online Jun. 26, 2017 at blog.cambro.com. Page dated Jun. 6, 2016. Retrieved from <https://blog.cambro.com/2016/06/06/cambro-plate-covers-are-the-choice-for-banquets/>.*

(Continued)

Primary Examiner — Robert M. Spear

Assistant Examiner — Kendra Leslie Hamilton

(57) **CLAIM**

I claim the ornamental design for a food service cover, as shown and described.

DESCRIPTION

FIG. 1 is a top right side perspective view of a first embodiment of a food service cover, showing my new design;

FIG. 2 is a front elevation view thereof;

FIG. 3 is a right side elevation thereof;

FIG. 4 is a top plan view thereof; and

FIG. 5 is a bottom plan view.

FIG. 6 is a top right side perspective view of a second embodiment of a food service cover;

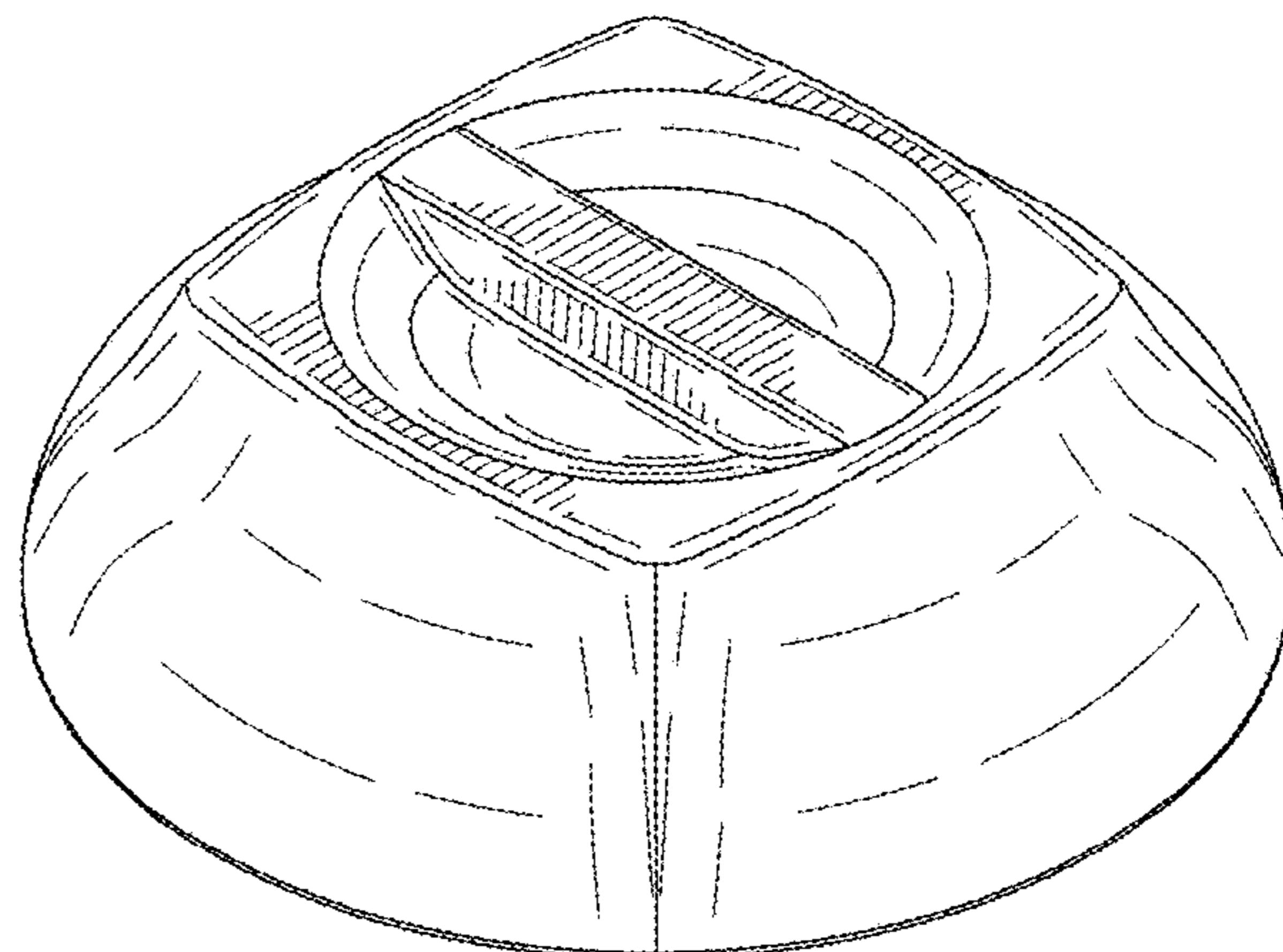
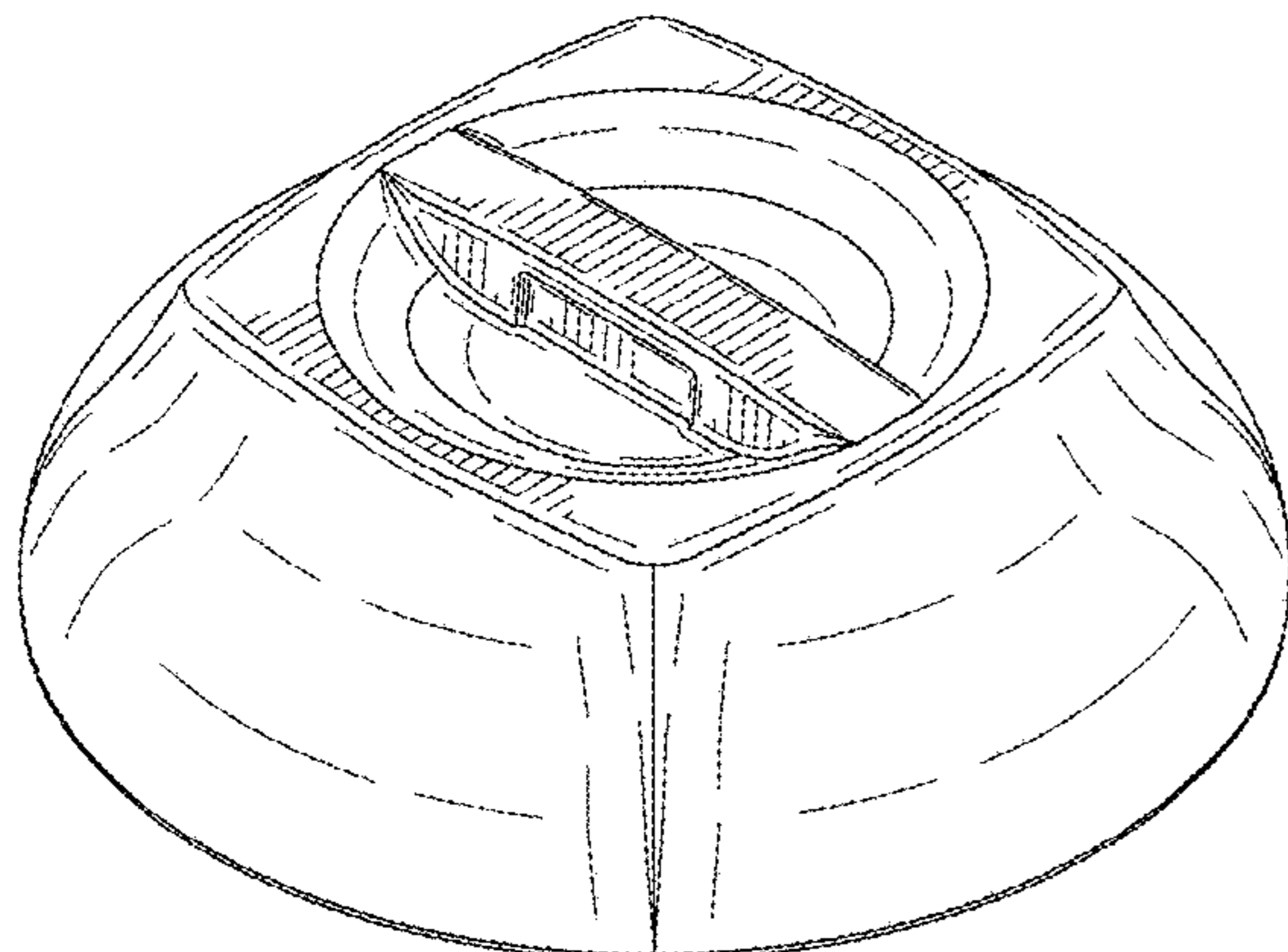
FIG. 7 is a front elevation view thereof;

FIG. 8 is a right side elevation view thereof;

FIG. 9 is a top plan view thereof; and,

FIG. 10 is a bottom plan view thereof.

1 Claim, 6 Drawing Sheets



(56)

References Cited

OTHER PUBLICATIONS

“11" Microwave Glass Plate Cover by Catamount Glassware”. Found online Jun. 27, 2017 at amazon.com. Page dated Apr. 10, 2014. Retrieved from https://www.amazon.com/Microwaveable-Silicone-Handle-Catamount-Glassware/dp/B00JLTE4YO/ref=sr_1_16?ie=UTF8&qid=1498586747&sr=8-16

&keywords=microwave+cover.*

“Progressive Prep Solutions Microwavable Food Cover”. Found online Jun. 27, 2017 at amazon.com. Page dated Oct. 2, 2001. Retrieved from https://www.amazon.com/Prep-Solutions-Progressive-Microwavable-Cover/dp/B000Q9YXLW/ref=sr_1_11?ie=UTF8&qid=1498586747&sr=8-11

&keywords=microwave+cover.*

Np, 2016, Cambro Manufacturing Company Product Catalog 2016, Catalog pp. 219-221.

* cited by examiner

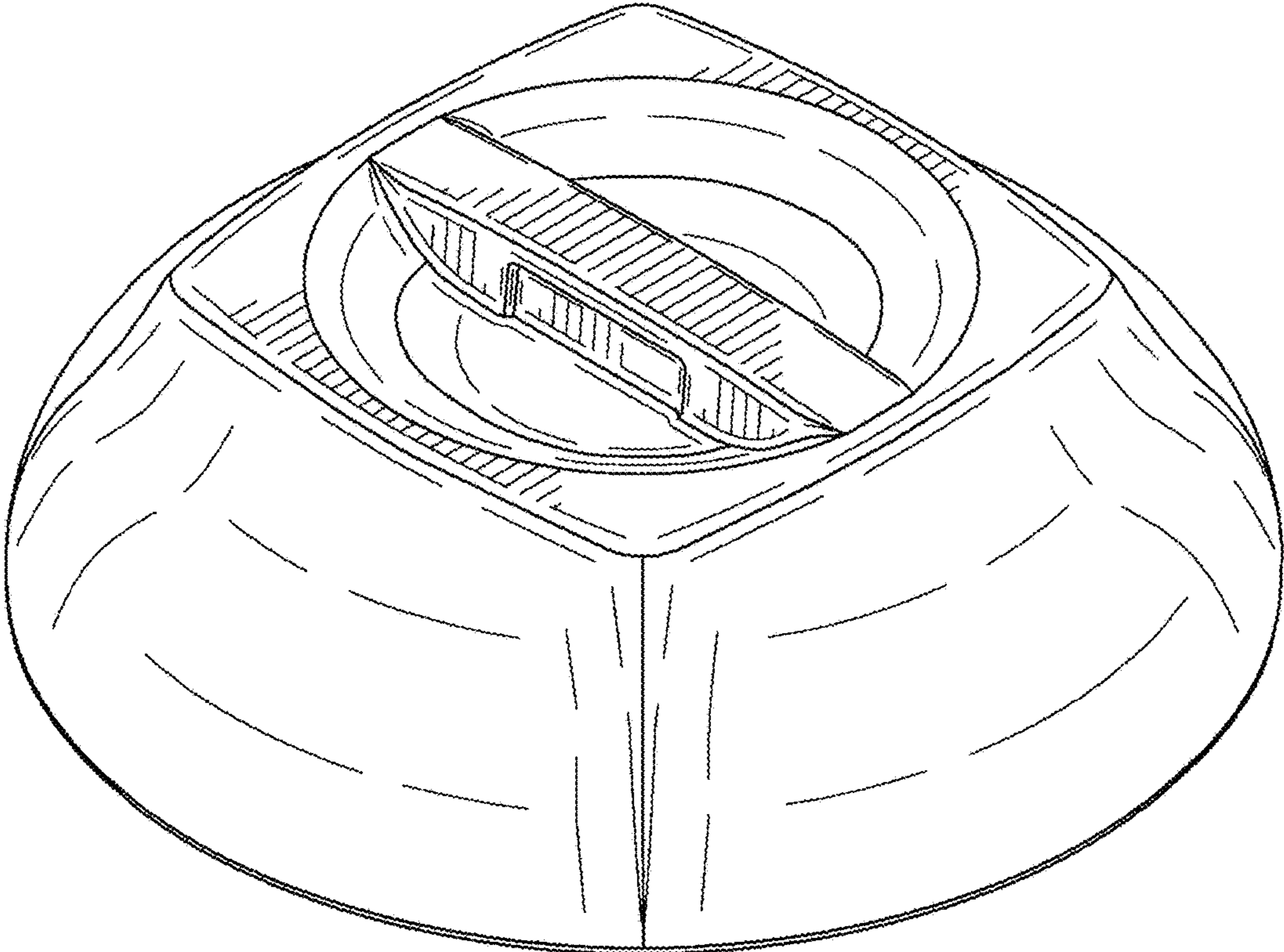


FIG. 1

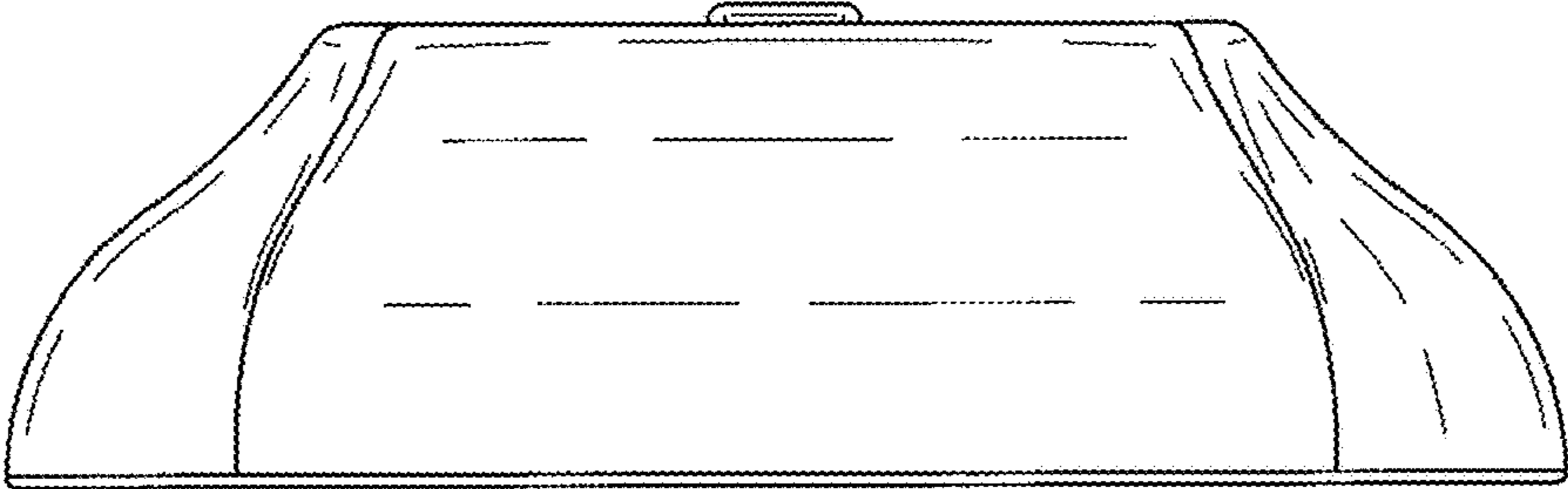


FIG. 2

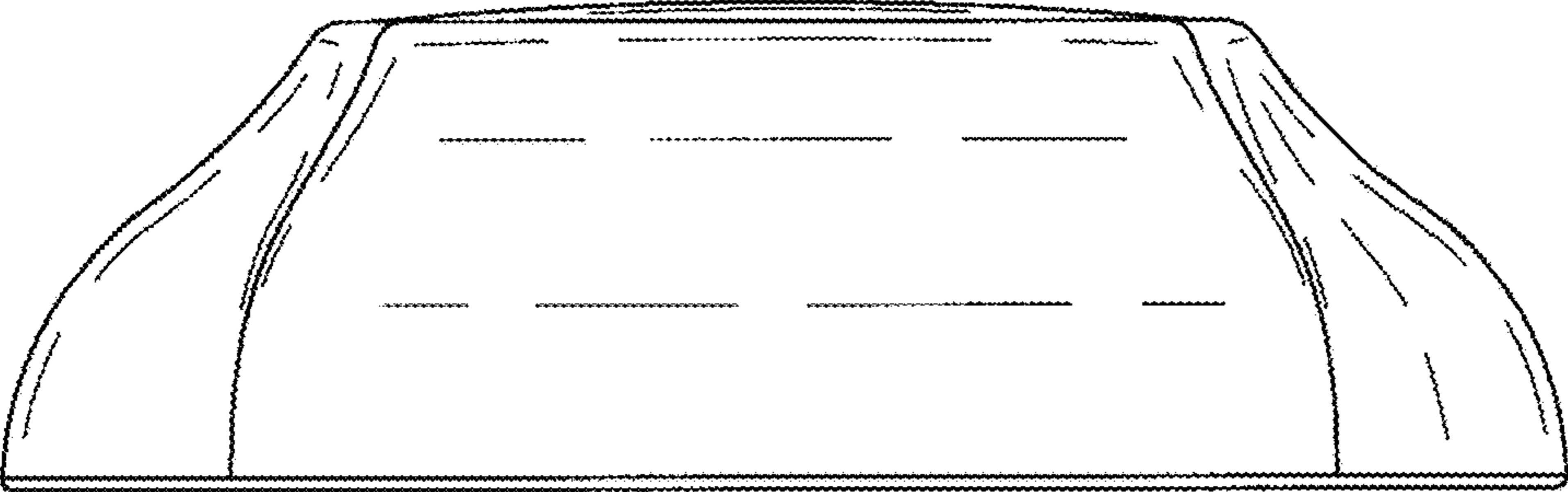


FIG. 3

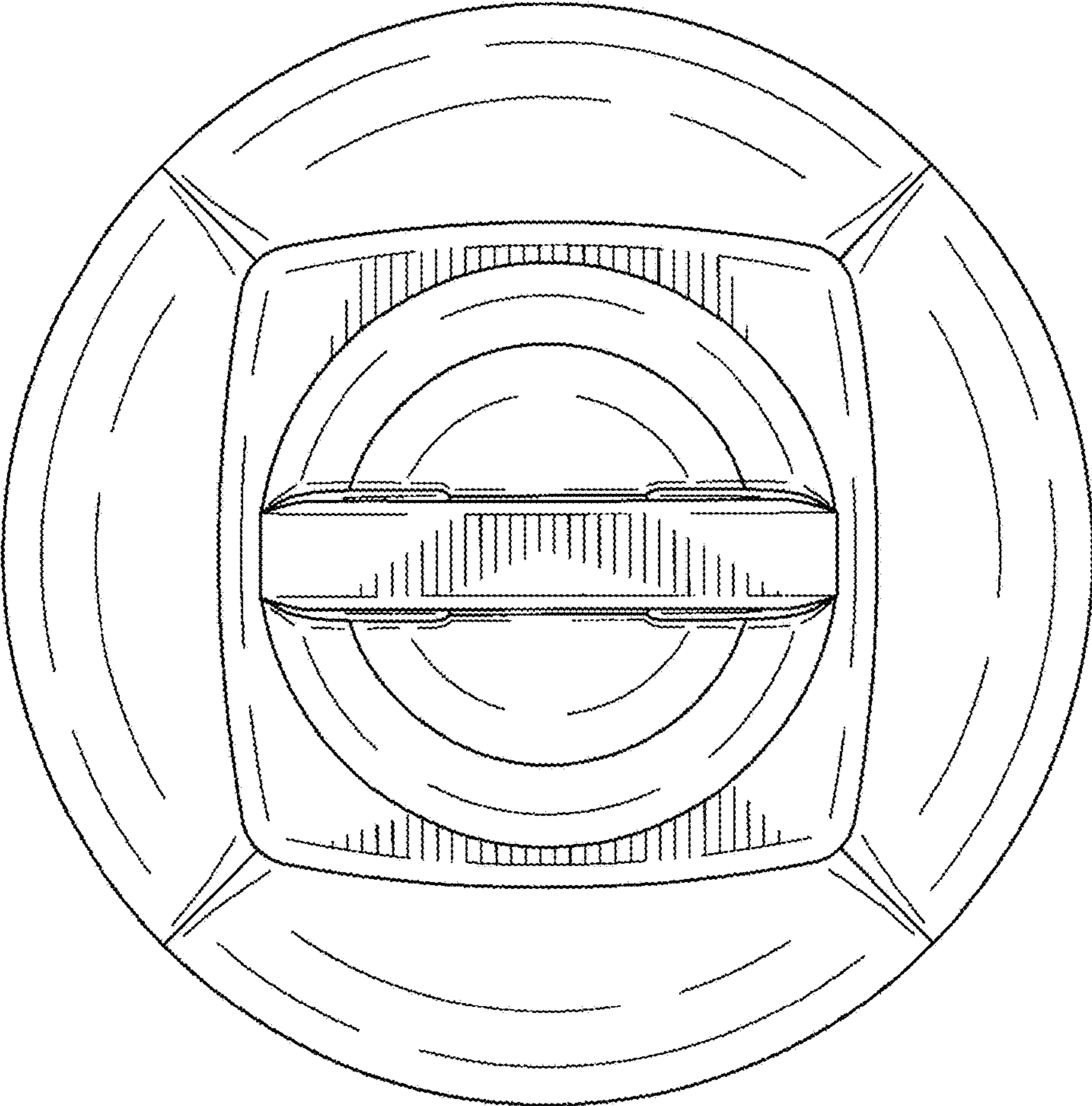


FIG. 4

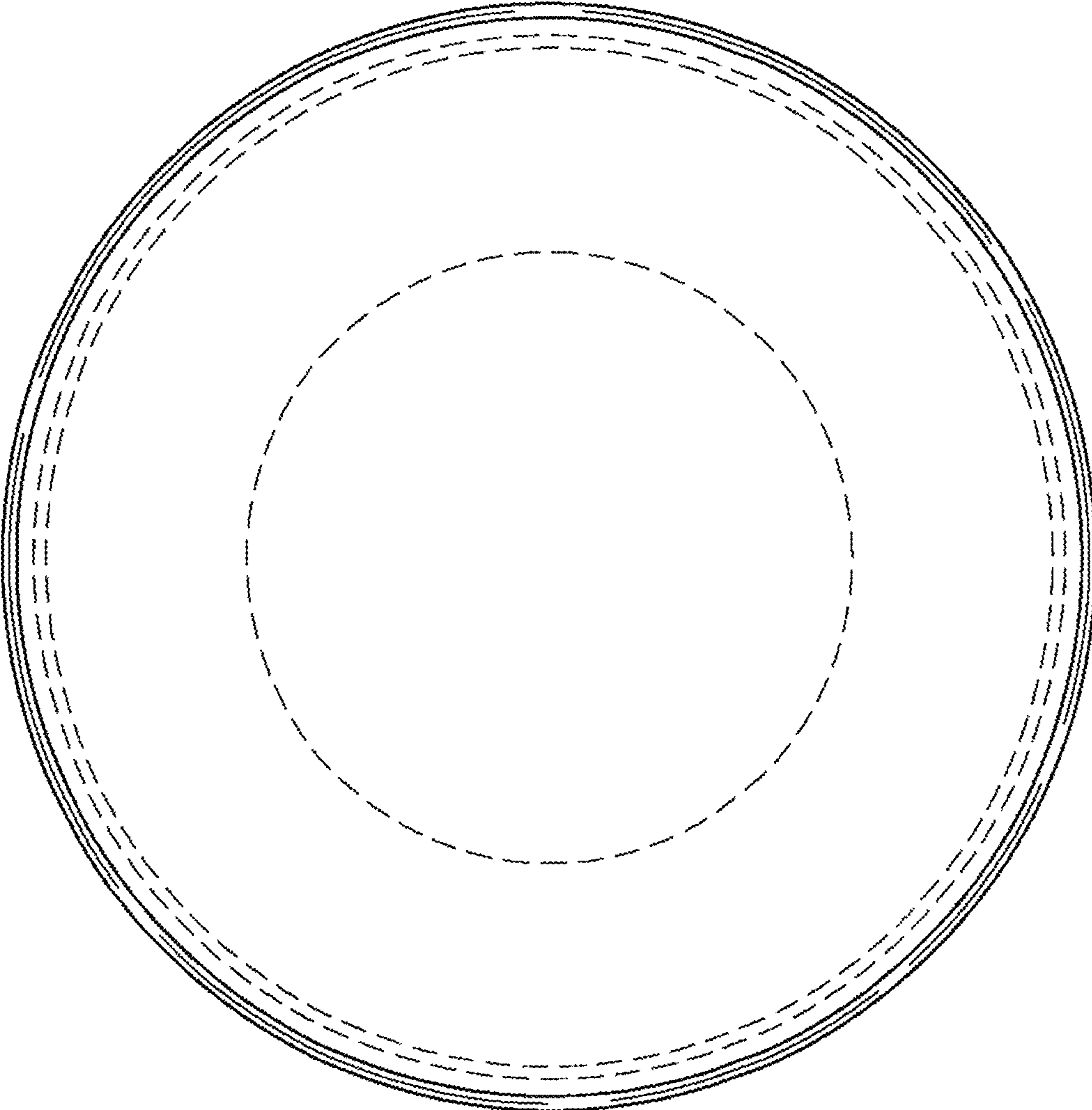


FIG. 5

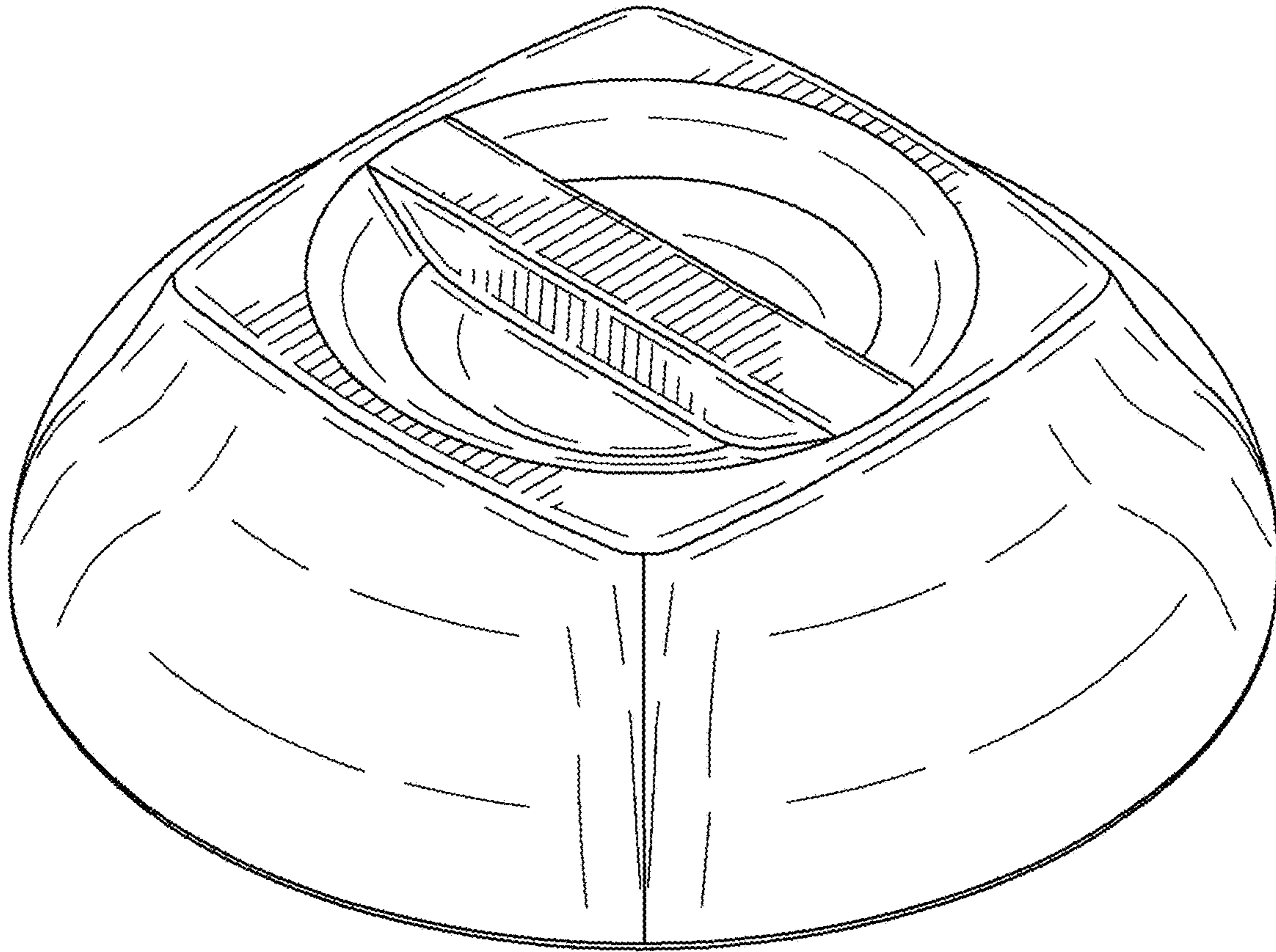


FIG. 6

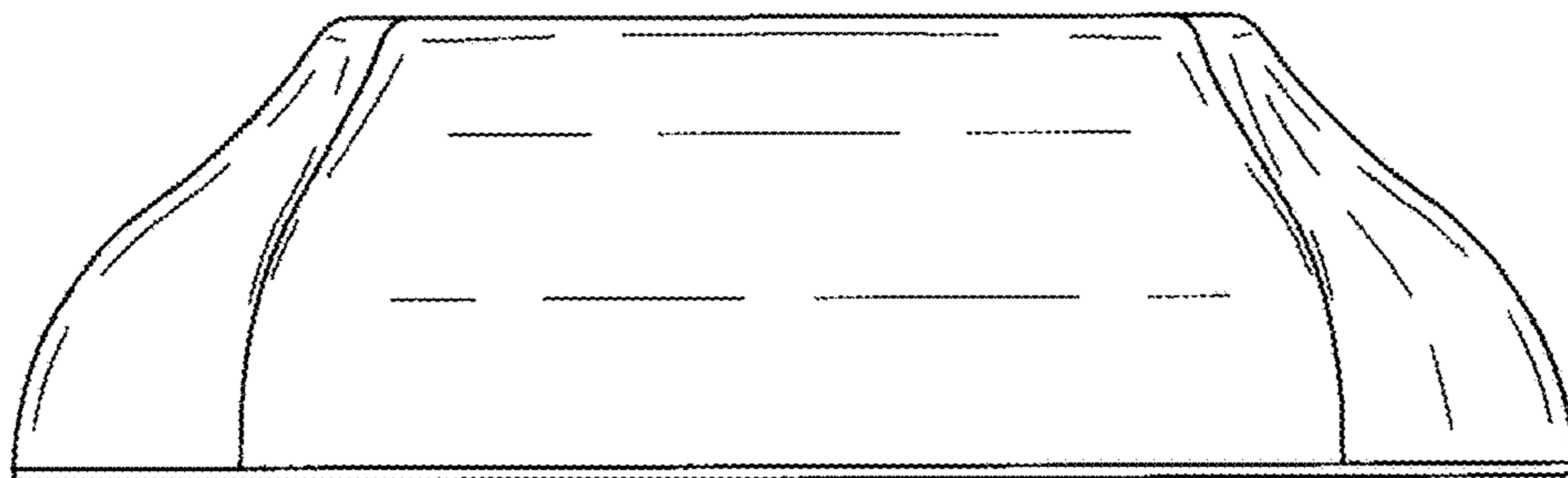


FIG. 7

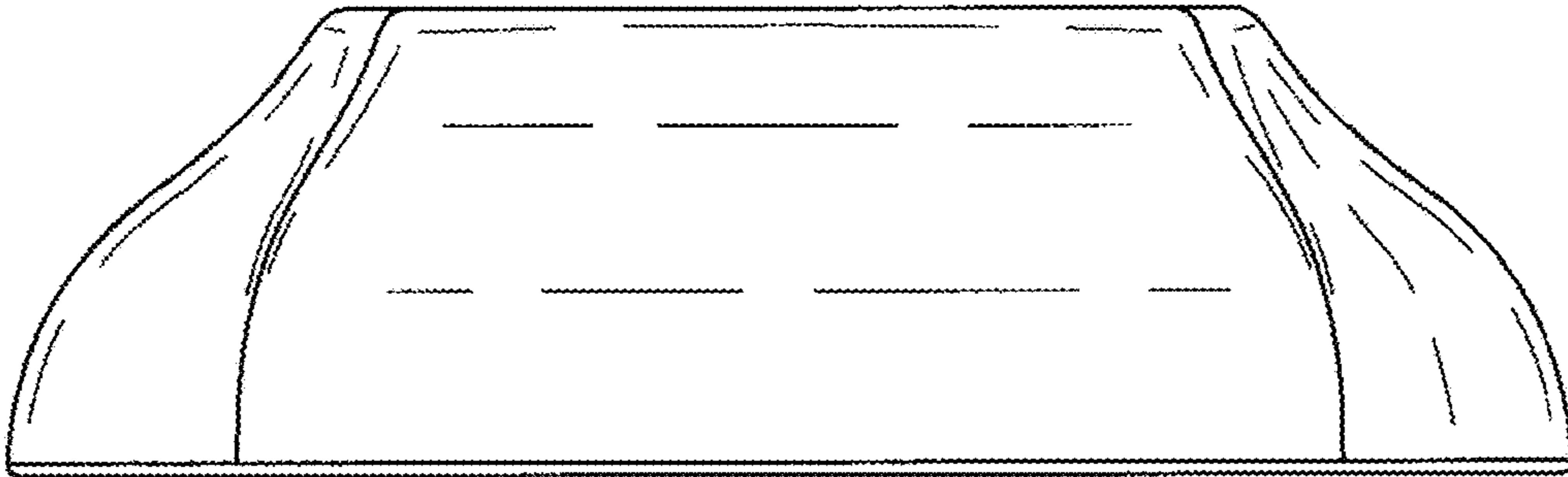


FIG. 8

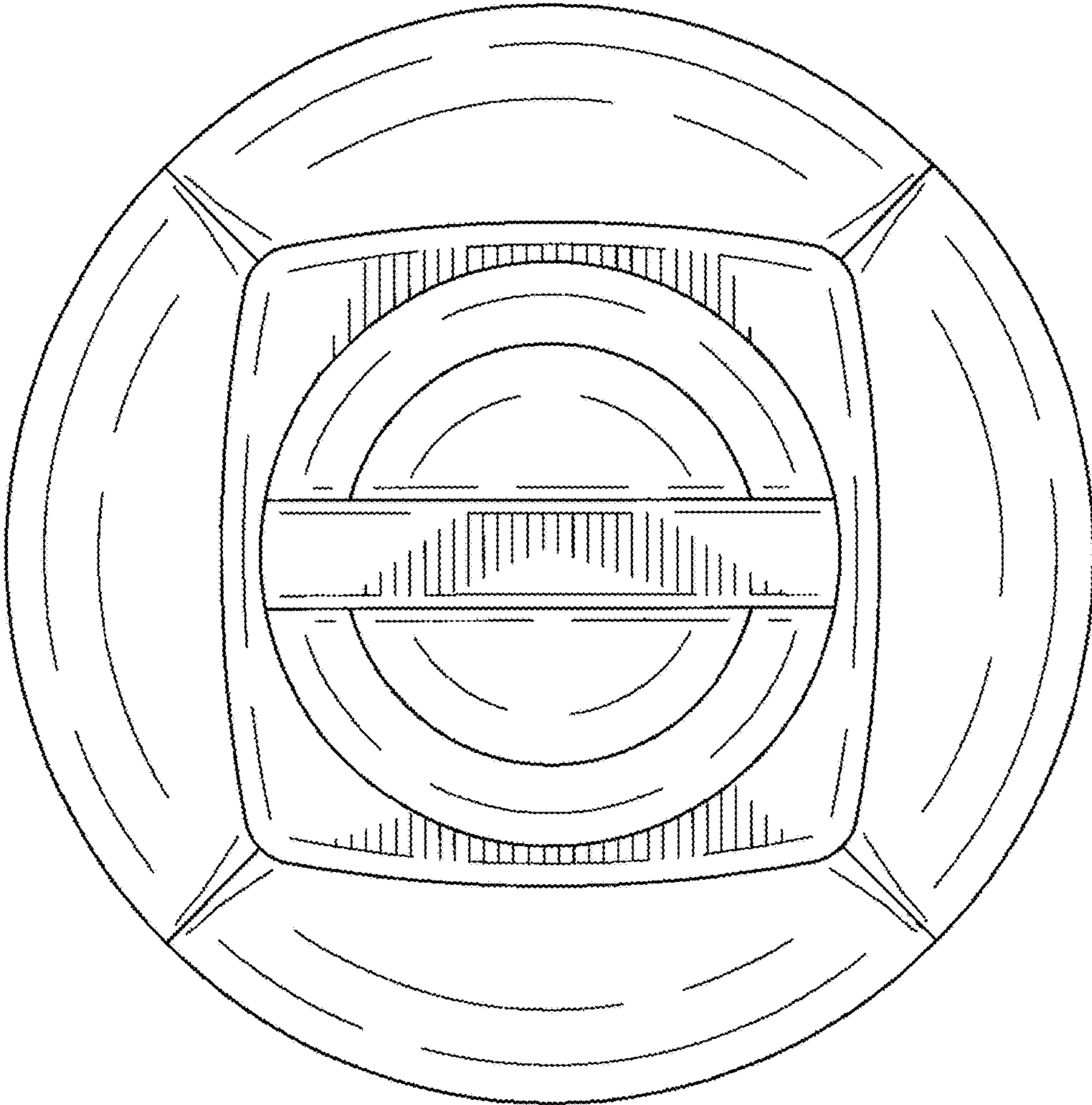


FIG. 9

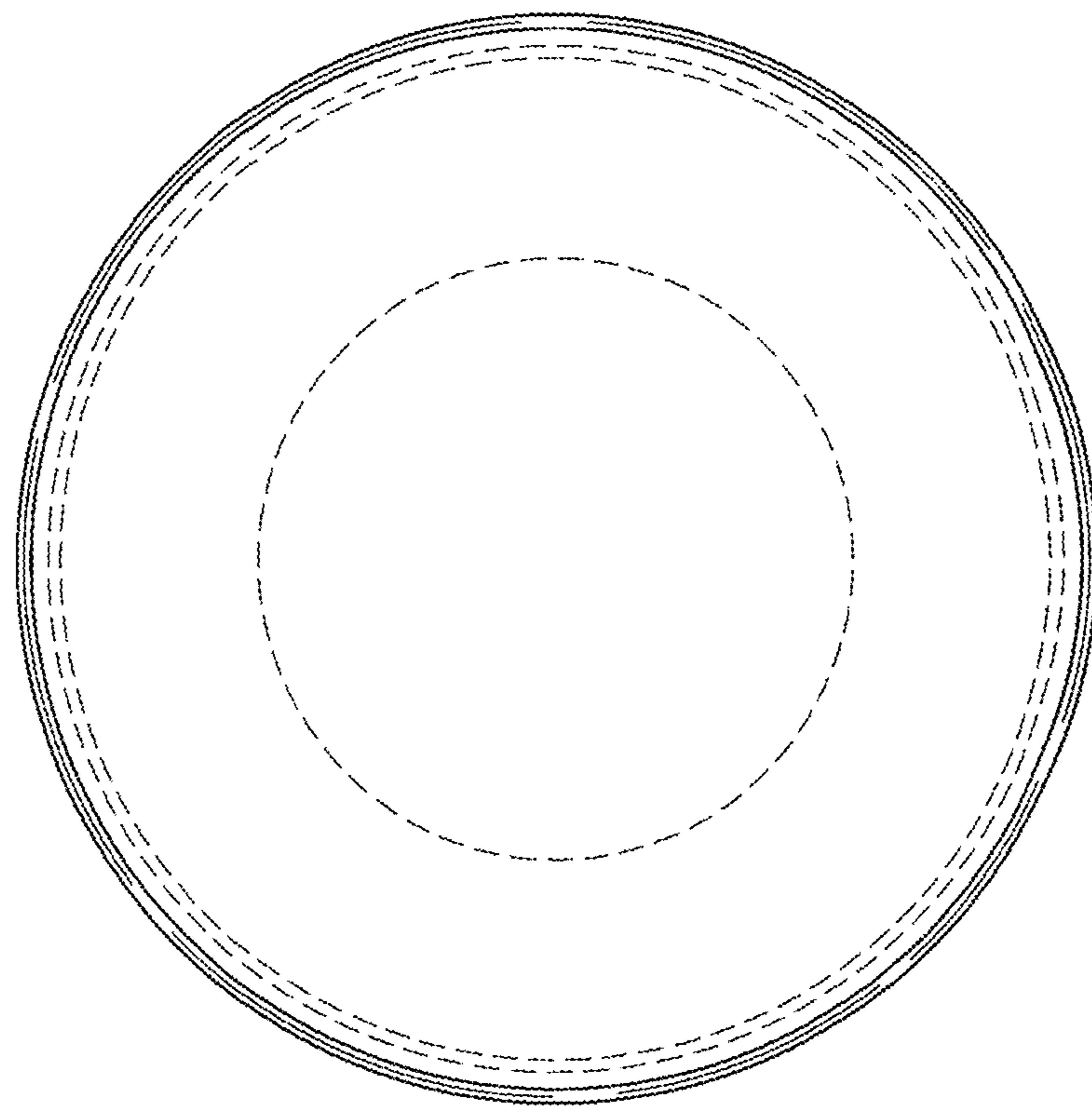


FIG. 10