



US00D804239S

(12) **United States Design Patent** (10) **Patent No.:** **US D804,239 S**
Sarnoff et al. (45) **Date of Patent:** **** Dec. 5, 2017**

- (54) **PAN**
- (71) Applicant: **HFA, INC.**, Wheeling, IL (US)
- (72) Inventors: **Norton Sarnoff**, Northbrook, IL (US); **Brad Sarnoff**, Chicago, IL (US); **Raj Patel**, Kildeer, IL (US)
- (73) Assignee: **HFA, Inc.**, Wheeling, IL (US)
- (**) Term: **15 Years**
- (21) Appl. No.: **29/601,089**
- (22) Filed: **Apr. 19, 2017**

D402,850 S	12/1998	Davis	
D469,314 S	1/2003	Thonis	
D470,048 S	2/2003	Buckalaski	
D485,755 S	1/2004	Isler	
D495,920 S	9/2004	Isler	
D502,045 S	2/2005	Isler	
D503,871 S	4/2005	Armer	
D505,043 S	* 5/2005	Isler	D7/354
D513,383 S	1/2006	Glander	
D553,490 S	* 10/2007	Yang	D9/425
D553,975 S	* 10/2007	Voges	D9/418
D554,988 S	11/2007	Sim	
D562,154 S	2/2008	Pelletier	
D570,681 S	6/2008	Hussain	
D579,326 S	10/2008	Chen	
D588,937 S	* 3/2009	Pelletier	D9/781
D591,175 S	* 4/2009	Larson	D9/425
D595,155 S	6/2009	Larson	
D601,013 S	* 9/2009	Petitjean	D9/426

Related U.S. Application Data

- (62) Division of application No. 29/564,136, filed on May 11, 2016, now Pat. No. Des. 794,378.
- (51) **LOC (10) Cl.** **07-02**
- (52) **U.S. Cl.**
USPC **D7/359; D7/354**
- (58) **Field of Classification Search**
USPC D7/323, 354-361, 543, 545, 549, 550.1, D7/553.1-553.8, 554.1-554.4, 555, 584, D7/586; D9/425-426, 430-433, D9/455-456, 737, 756-762, 781
CPC A21B 3/00; A21B 3/13; A21B 3/15; A21B 3/134; A21B 5/00; A21B 5/02; A47J 36/022; A47J 36/025; A47J 36/027; A47J 37/00; A47J 37/04; B65D 1/22; B65D 1/24; B65D 1/34; B65D 1/36; B65D 81/343; B65D 85/36
See application file for complete search history.

(56) **References Cited**
U.S. PATENT DOCUMENTS

D374,819 S	10/1996	Wells
D392,881 S	3/1998	Bulcher

Primary Examiner — Ricky Pham
(74) *Attorney, Agent, or Firm* — Adam K. Sacharoff; Much Shelist, P.C.

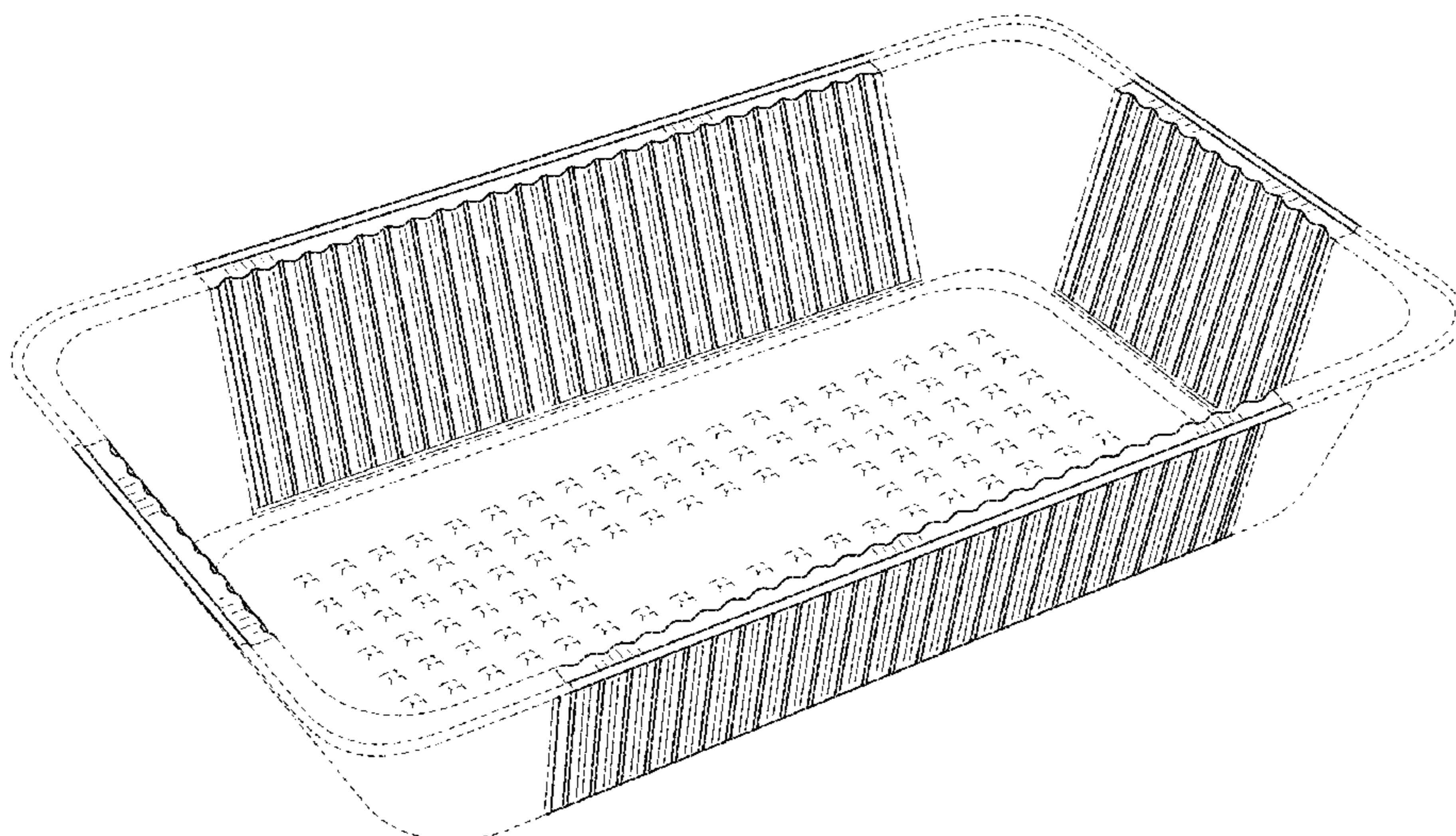
(57) **CLAIM**

The ornamental design for a pan, as shown and described.

DESCRIPTION

FIG. 1 is a front side perspective view showing the new design for a pan;
FIG. 2 is a left side view thereof;
FIG. 3 is a right side view thereof;
FIG. 4 is a front view thereof;
FIG. 5 is a rear side view thereof;
FIG. 6 is a top plan view thereof;
FIG. 7 is a bottom plan view thereof; and,
FIG. 8 is a bottom perspective view thereof.
The broken lines in FIGS. 1-8, are included to show unclaimed subject matter only and form no part of the claimed design.

1 Claim, 6 Drawing Sheets



(56)

References Cited

U.S. PATENT DOCUMENTS

D604,604	S	11/2009	Strange	
D622,094	S	8/2010	Samoff	
D622,540	S	8/2010	Samoff	
D623,008	S *	9/2010	Sarnoff D7/354
D625,180	S	10/2010	Enriquez	
D626,371	S	11/2010	Sarnoff	
D628,434	S	12/2010	Sarnoff	
D633,332	S	3/2011	Sarnoff	
D633,333	S *	3/2011	Sarnoff D7/354
D634,971	S	3/2011	Petlak	
D681,451	S	5/2013	Kui	
D687,704	S	8/2013	Knight	
D694,103	S *	11/2013	Durdon D9/425
D746,675	S *	1/2016	Astorga D9/425
D757,484	S *	5/2016	Brown D7/354
D766,647	S *	9/2016	Calkins D7/354
D766,648	S	9/2016	Calkins	
D794,378	S *	8/2017	Sarnoff D7/354

* cited by examiner

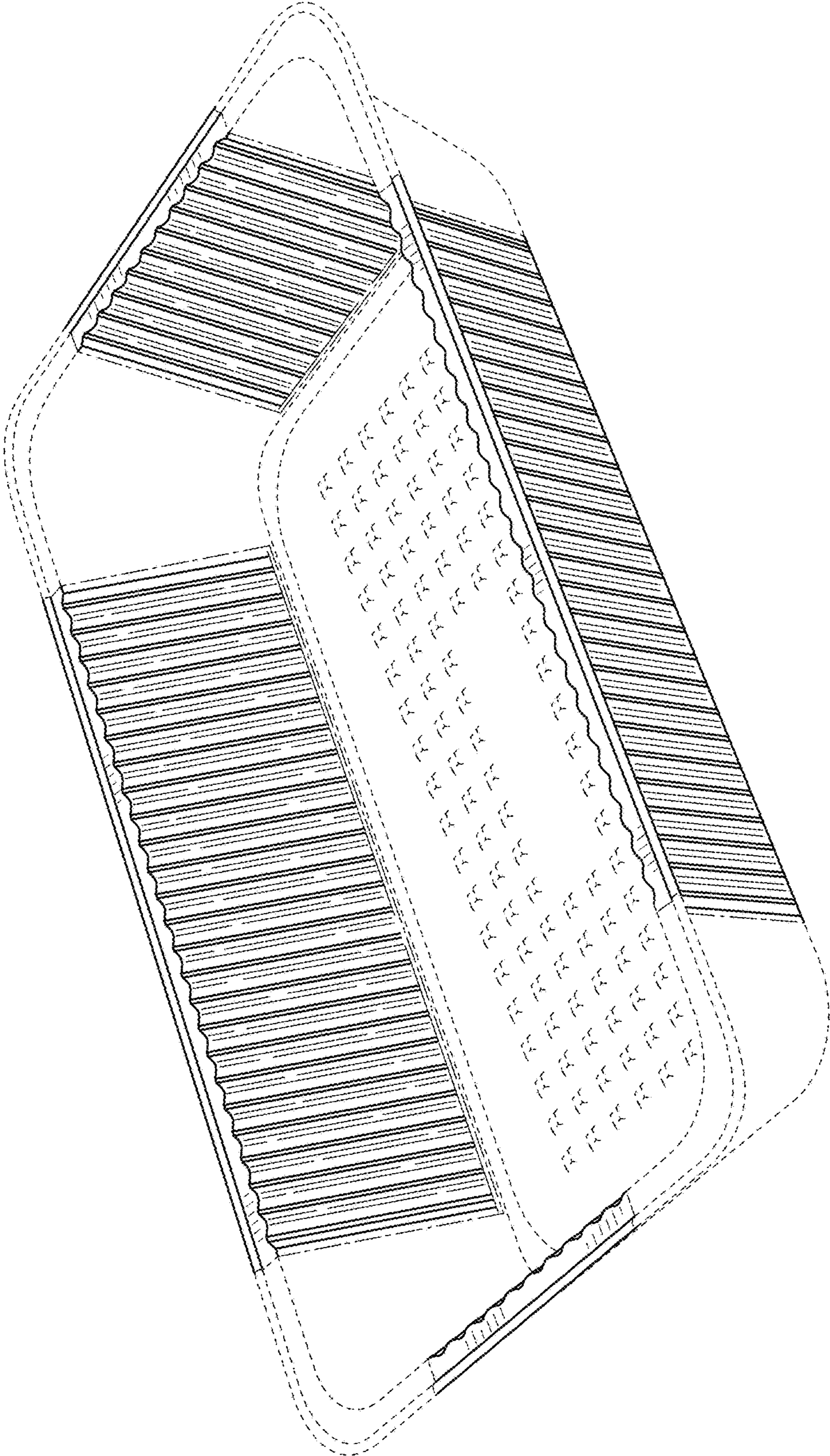


FIG. 1

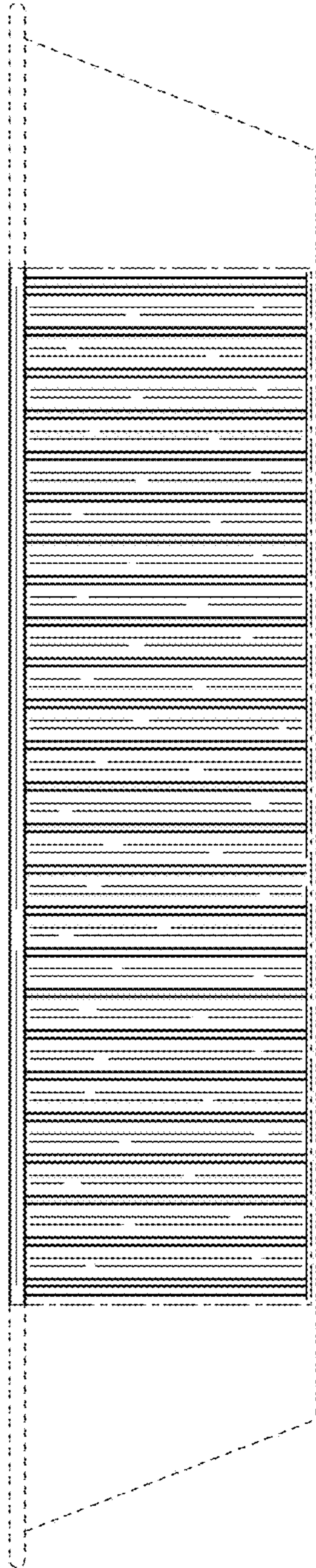


FIG. 2

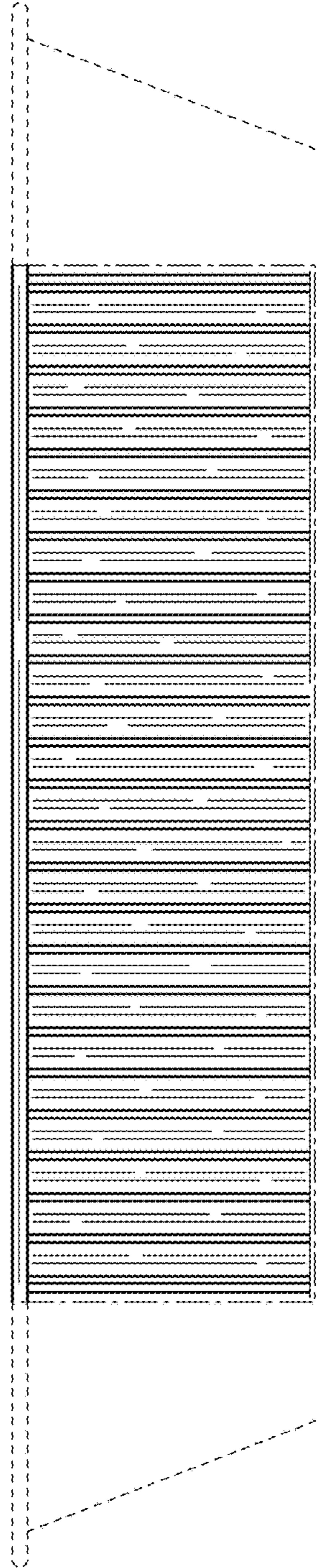


FIG. 3

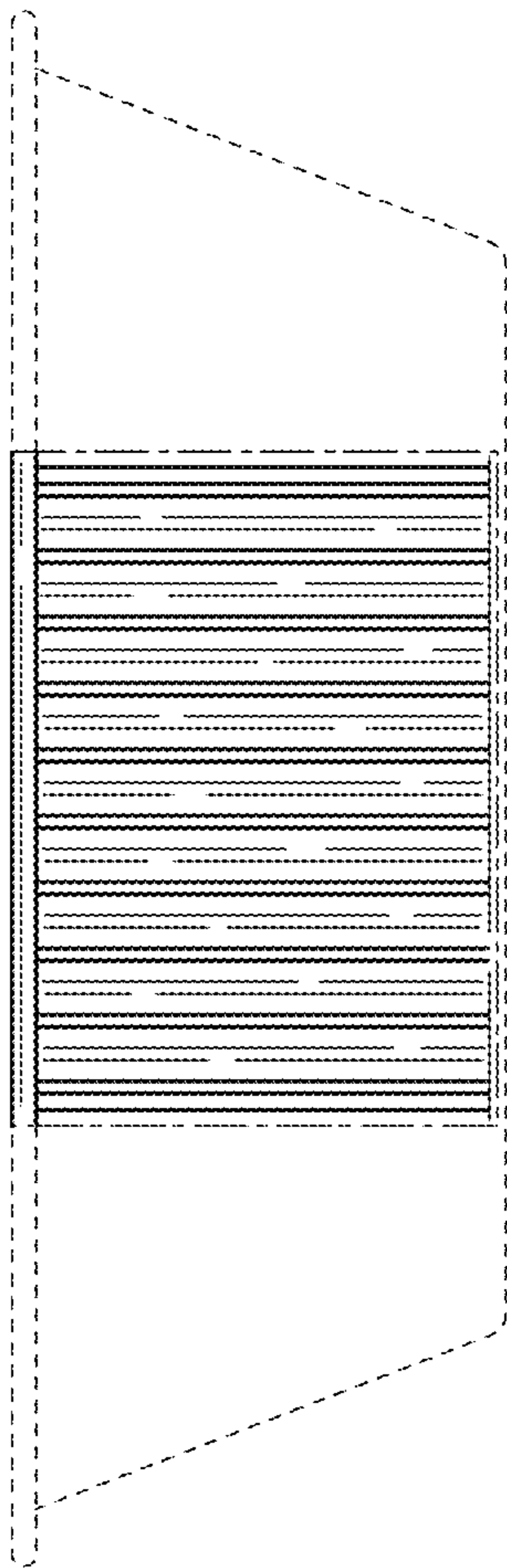


FIG. 4

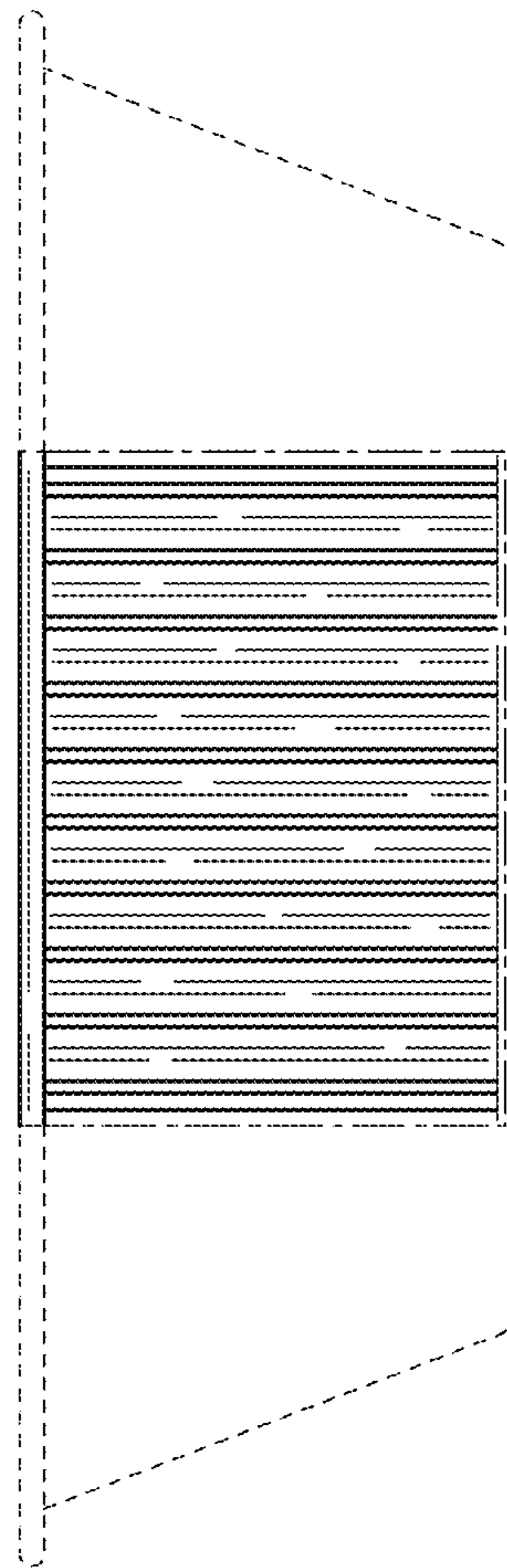


FIG. 5

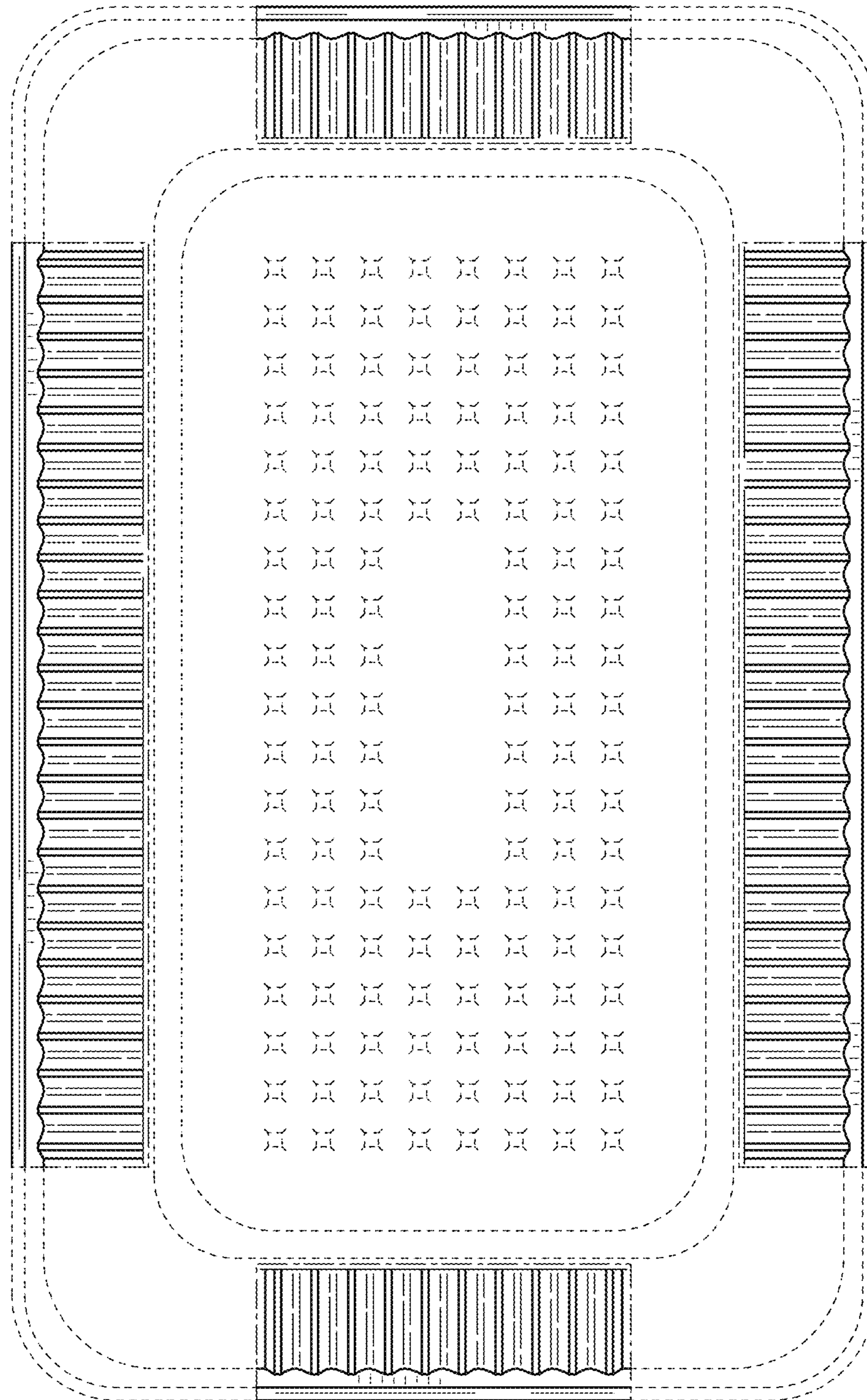


FIG. 6

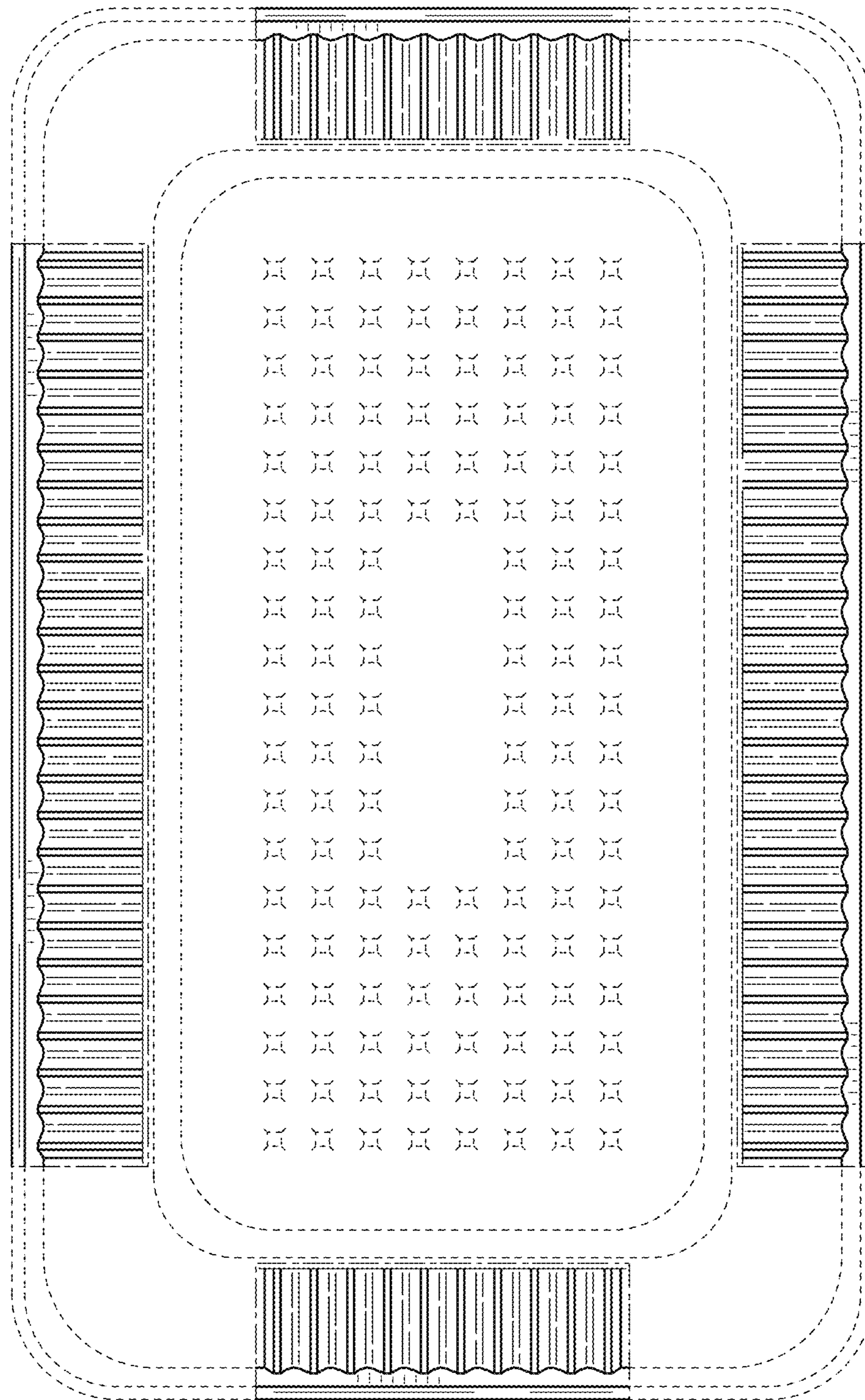


FIG. 7

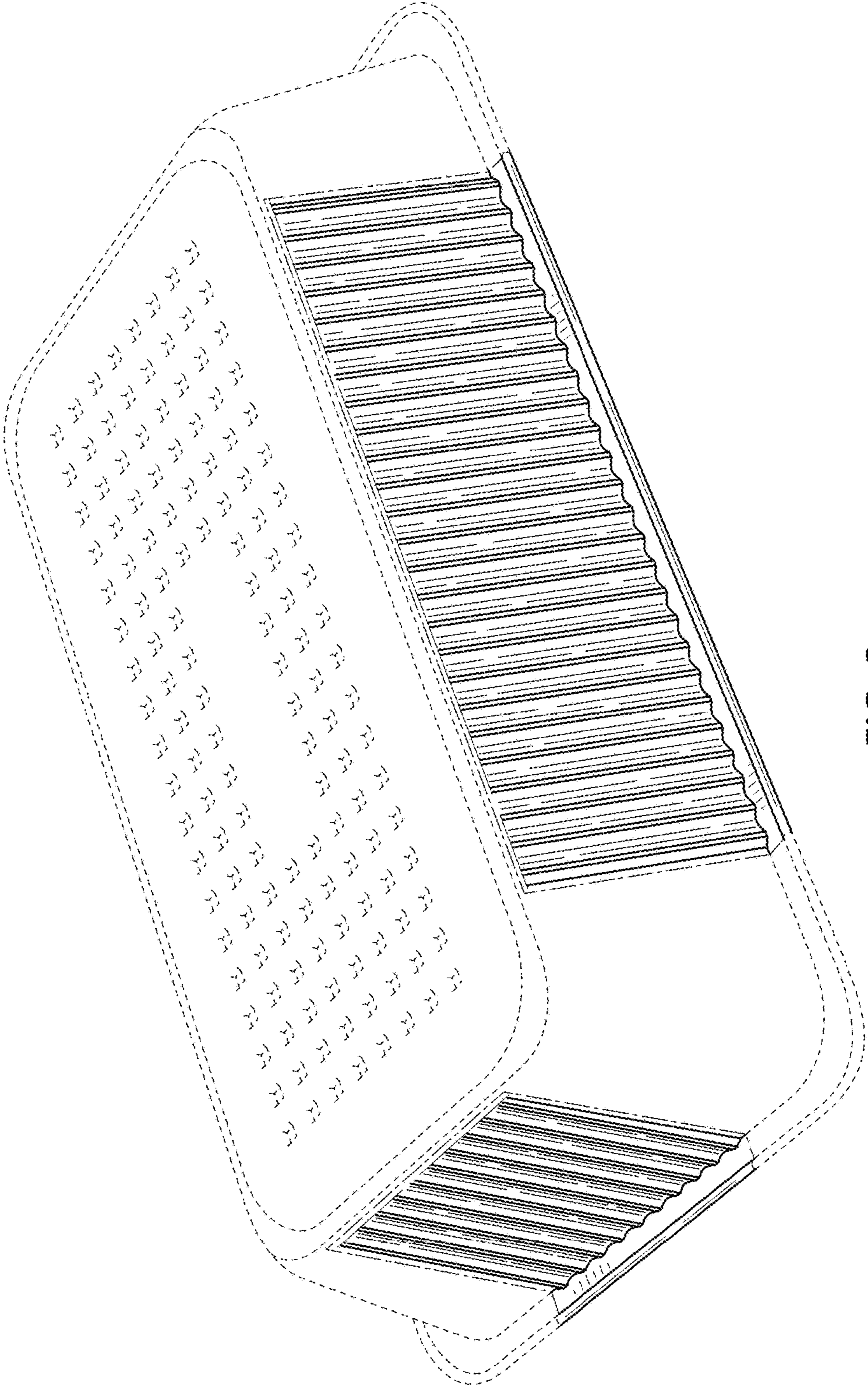


FIG. 8