



US00D804238S

(12) **United States Design Patent** (10) **Patent No.:** **US D804,238 S**
Xiong (45) **Date of Patent:** **** Dec. 5, 2017**

(54) **MULTI-FUNCTION GRILL**

(56) **References Cited**

(71) Applicant: **Ningbo Tianxiang Electrical Appliances Co., Ltd.**, Cixi, Ningbo, Zhejiang province (CN)

U.S. PATENT DOCUMENTS

(72) Inventor: **Baikang Xiong**, Cixi (CN)

D340,614 S *	10/1993	Kaeding	D7/354
5,423,449 A *	6/1995	Gordon	B65D 77/04
				206/557
D359,879 S *	7/1995	Fielding	D7/354
5,704,485 A *	1/1998	Cautereels	A45C 11/20
				206/541
D549,515 S *	8/2007	Curtin	D7/352
D624,784 S *	10/2010	Bodum	D7/391
8,474,372 B2 *	7/2013	Stacey	A47J 29/02
				99/422
8,955,353 B2 *	2/2015	Harris	F25D 3/08
				220/23.88
D746,628 S *	1/2016	Nagrani	D7/354
D749,351 S *	2/2016	Chen	D7/354
D787,261 S *	5/2017	Tsai	D7/354

(73) Assignee: **NINGBO TIANXIANG ELECTRICAL APPLIANCES CO., LTD.**, Cixi, Ningbo (CN)

(**) Term: **15 Years**

(21) Appl. No.: **29/577,081**

(22) Filed: **Sep. 9, 2016**

(30) **Foreign Application Priority Data**

May 20, 2016 (CN) 2016 3 0190429

(51) **LOC (10) Cl.** **07-02**

(52) **U.S. Cl.**
USPC **D7/359; D7/354; D7/409**

(58) **Field of Classification Search**
USPC D7/323, 332, 335-337, 352-357, D7/359-364, 367, 387-388, 391, 402, D7/407-409, 554.3

CPC A21B 2/00; A21B 3/00; A21B 3/13; A21B 3/15; A21B 5/00; A21B 5/02; A23N 12/06; A23N 12/08; A23N 12/10; A45C 11/20; A47G 23/06; A47J 29/02; A47J 37/00; A47J 37/04; A47J 37/041; A47J 37/042; A47J 37/06; A47J 37/067; A47J 37/0688; A47J 37/0694; A47J 37/07; A47J 37/0704; A47J 37/10; A47J 47/20; A47J 2037/00; A47J 2037/06; A47J 2037/0611; A47J 2037/07; A47J 2037/0786; A47J 2037/0795; B65D 77/04; F25D 3/08; F24C 15/10; F24C 15/12; F24C 15/14; F24C 15/16; F24C 15/164; F24C 15/18

See application file for complete search history.

Primary Examiner — Ricky Pham

(74) *Attorney, Agent, or Firm* — Muncy, Geissler, Olds & Lowe, P.C.

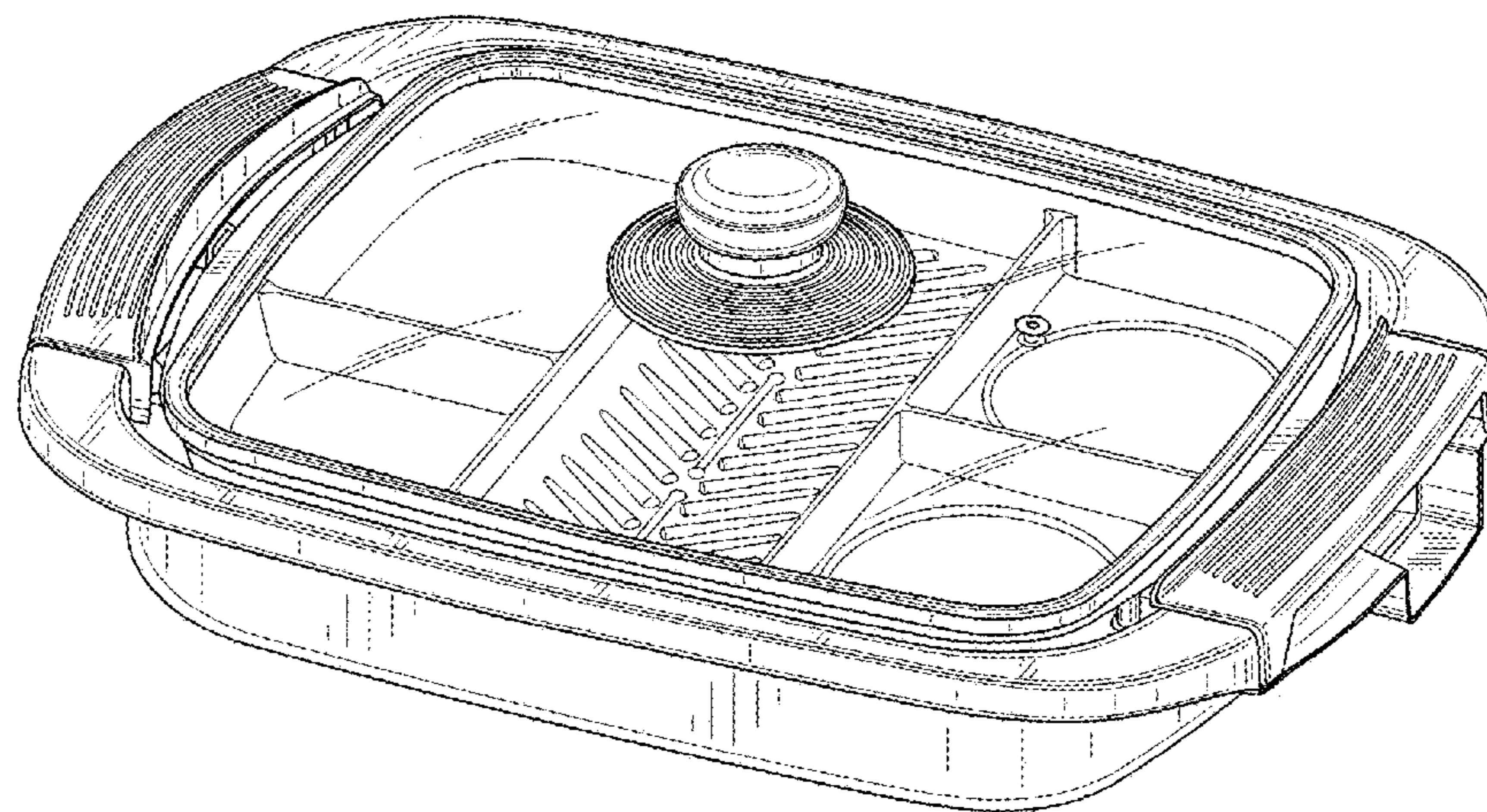
(57) **CLAIM**

The ornamental design for a multi-function grill, as shown and described.

DESCRIPTION

FIG. 1 is a perspective view of a multi-function grill showing my new design; FIG. 2 is a front elevational view thereof; FIG. 3 is a rear elevational view thereof; FIG. 4 is a right side view thereof; FIG. 5 is a left side view thereof; FIG. 6 is a top plan view thereof; and, FIG. 7 is a bottom plan view thereof. The broken line showing is for the purpose of illustrating portions of the multi-function grill which form no part of the claimed design.

1 Claim, 7 Drawing Sheets



(56)

References Cited

U.S. PATENT DOCUMENTS

2006/0091129 A1* 5/2006 Colonna F25D 3/08
219/439
2007/0284358 A1* 12/2007 Claffy A47G 23/06
219/386

* cited by examiner

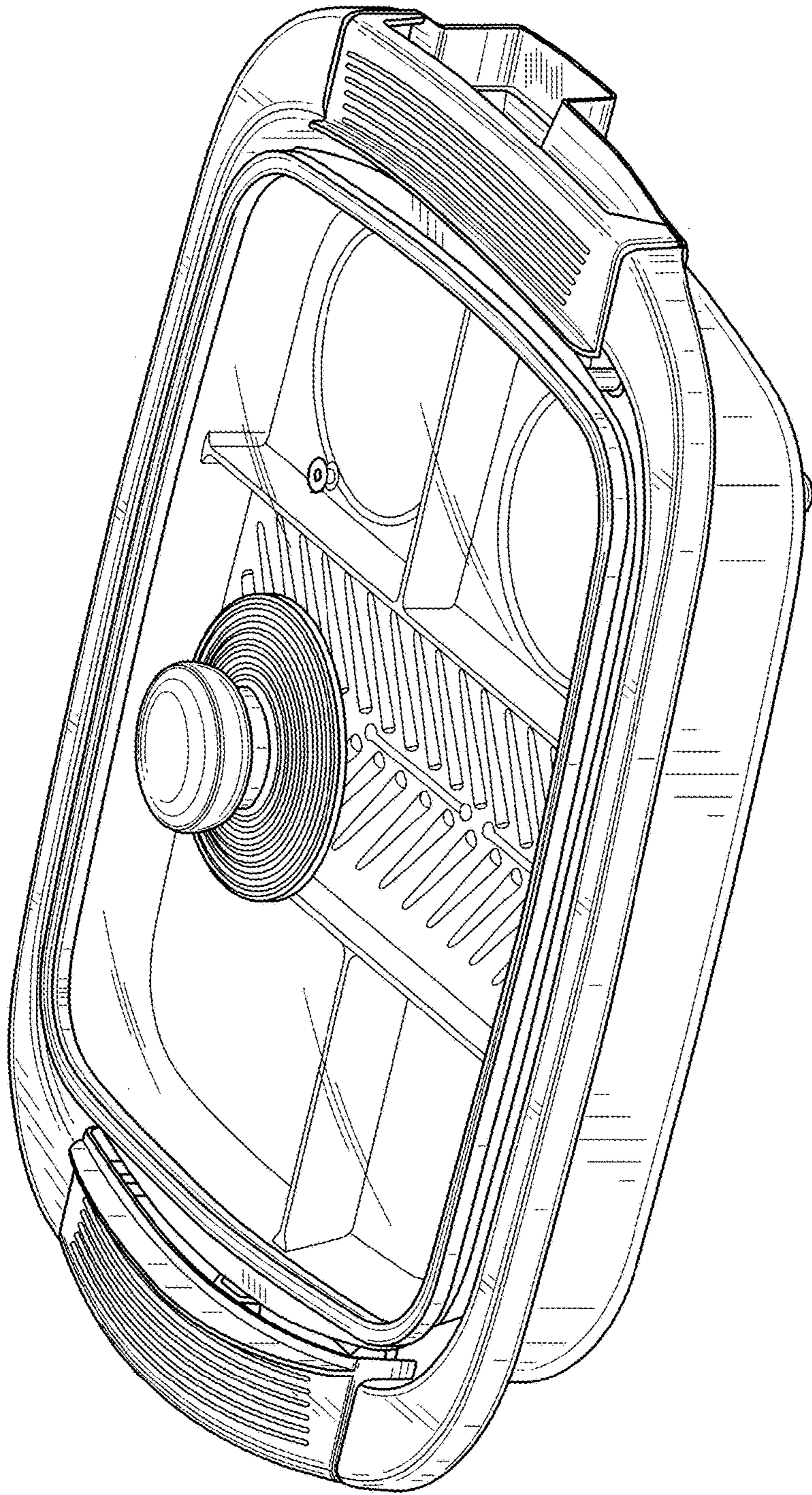


FIG. 1

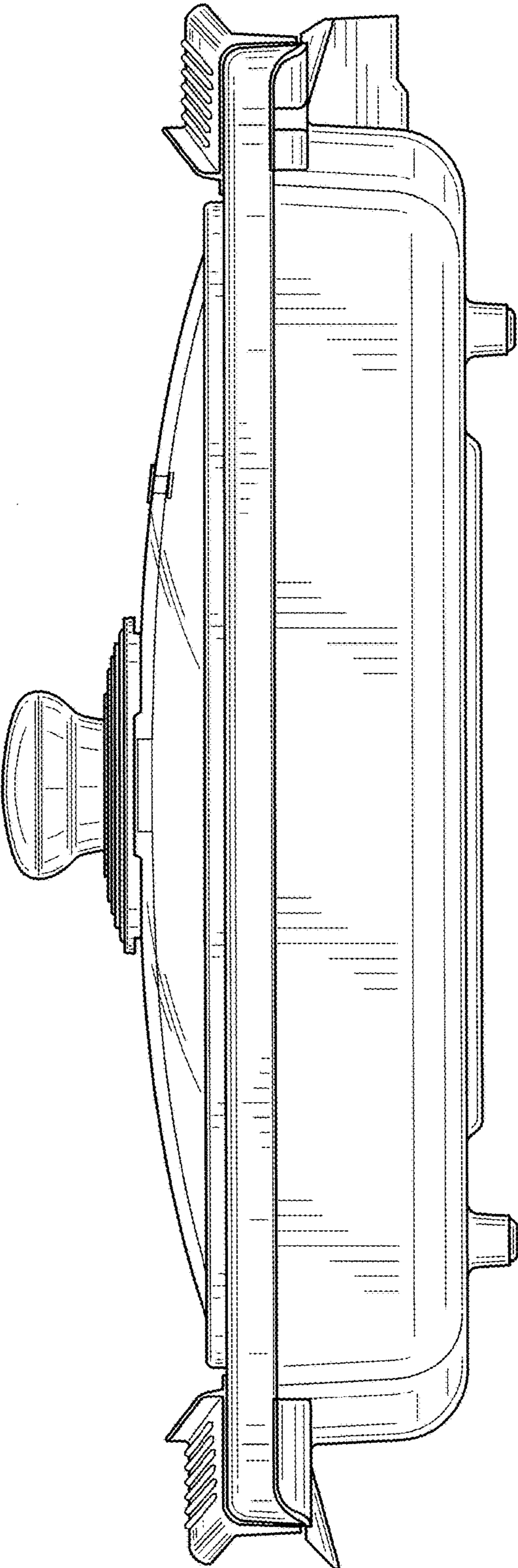


FIG. 2

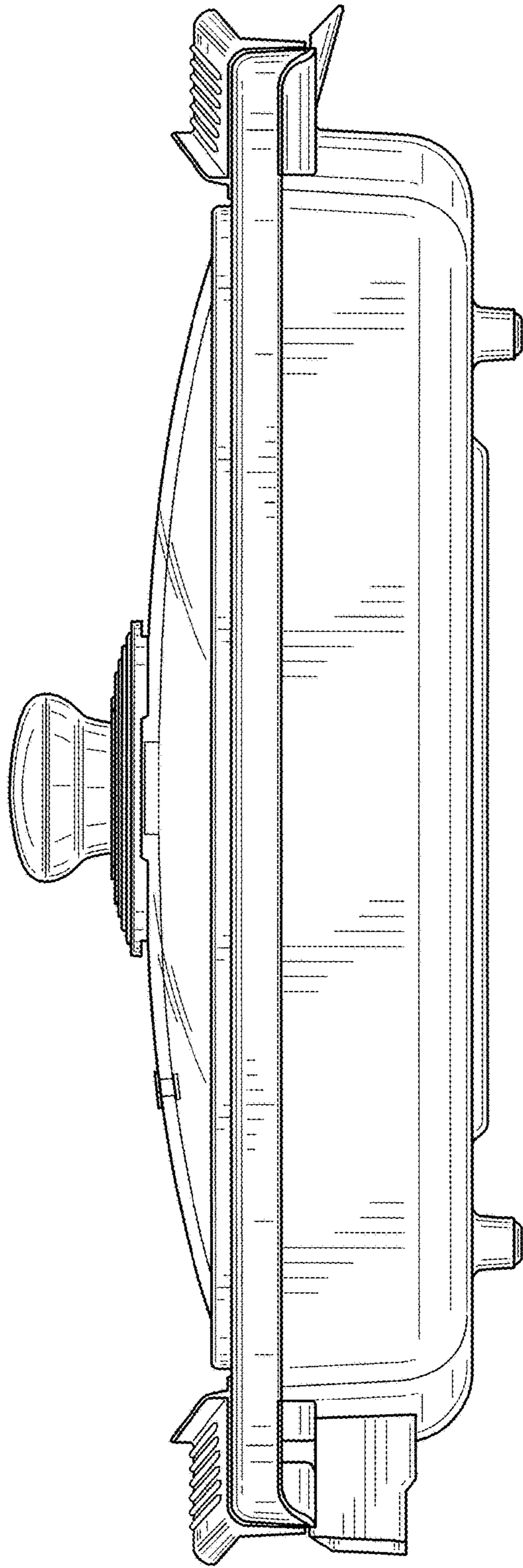


FIG. 3

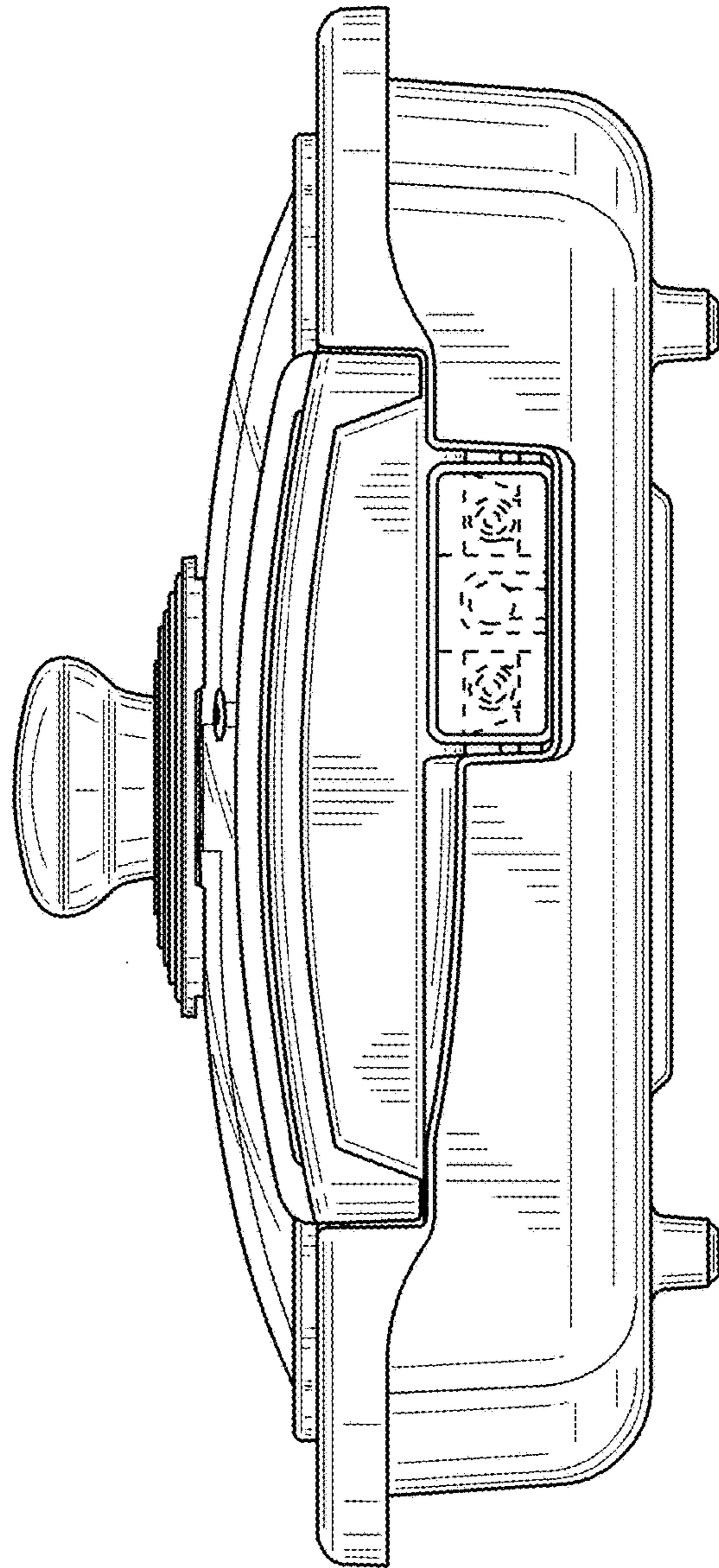


FIG. 4

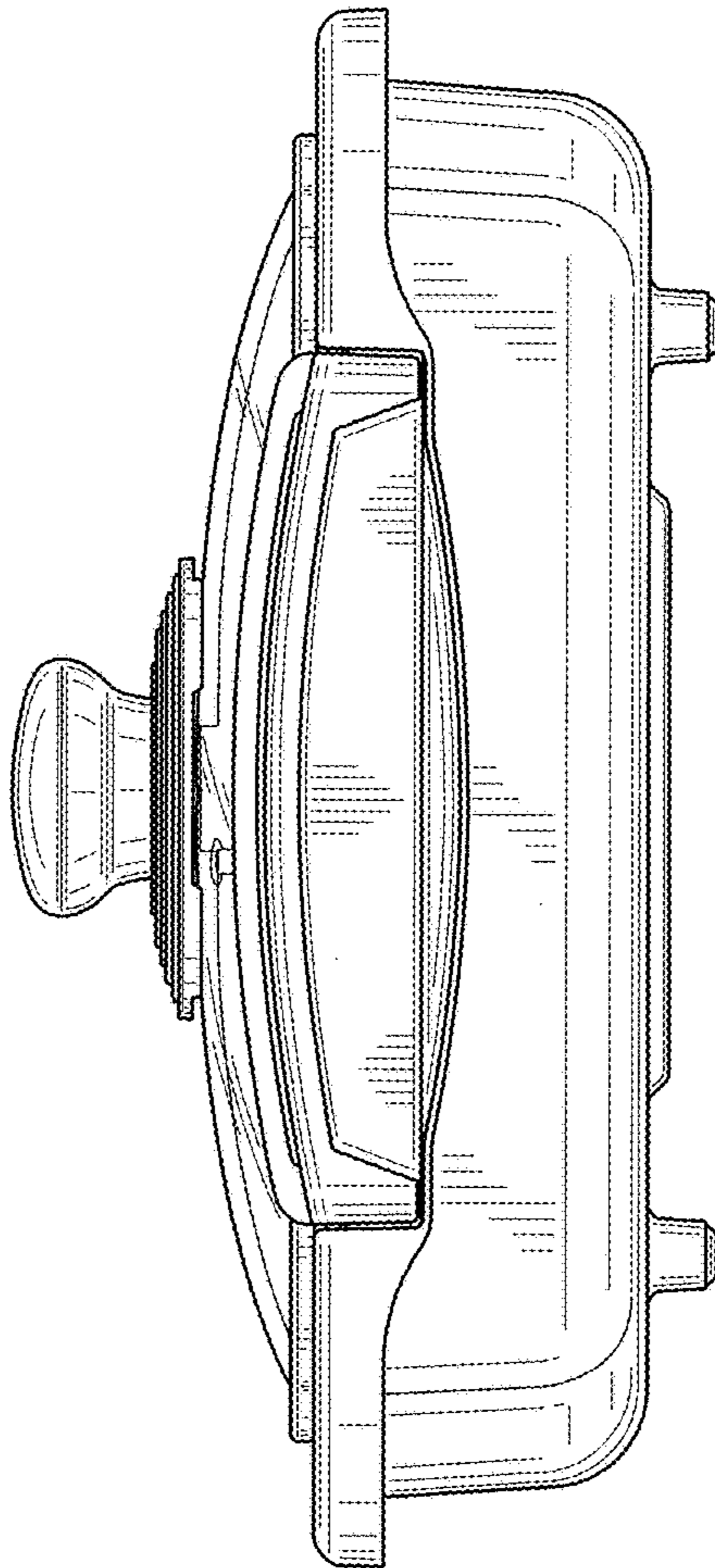


FIG. 5

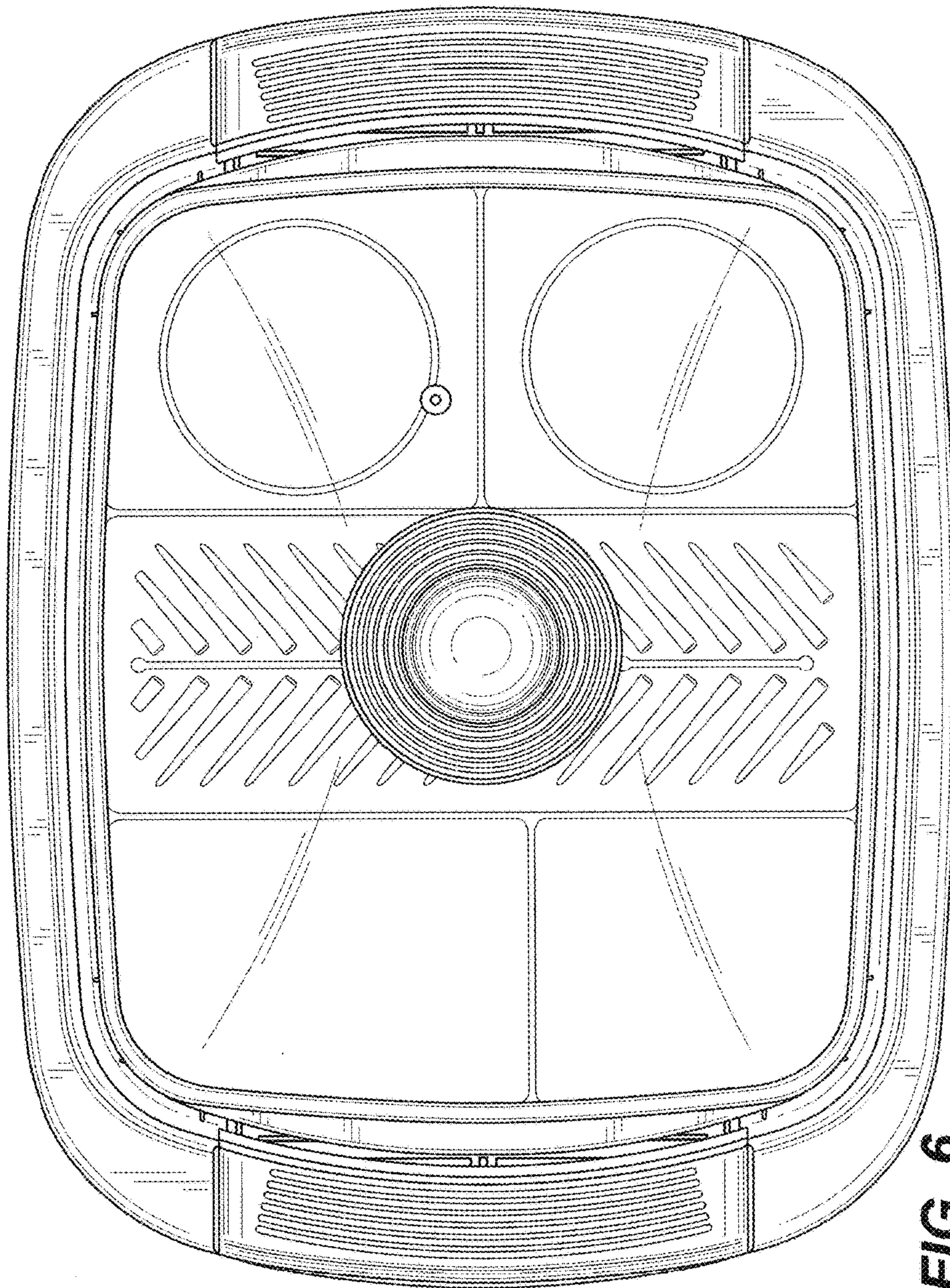


FIG. 6

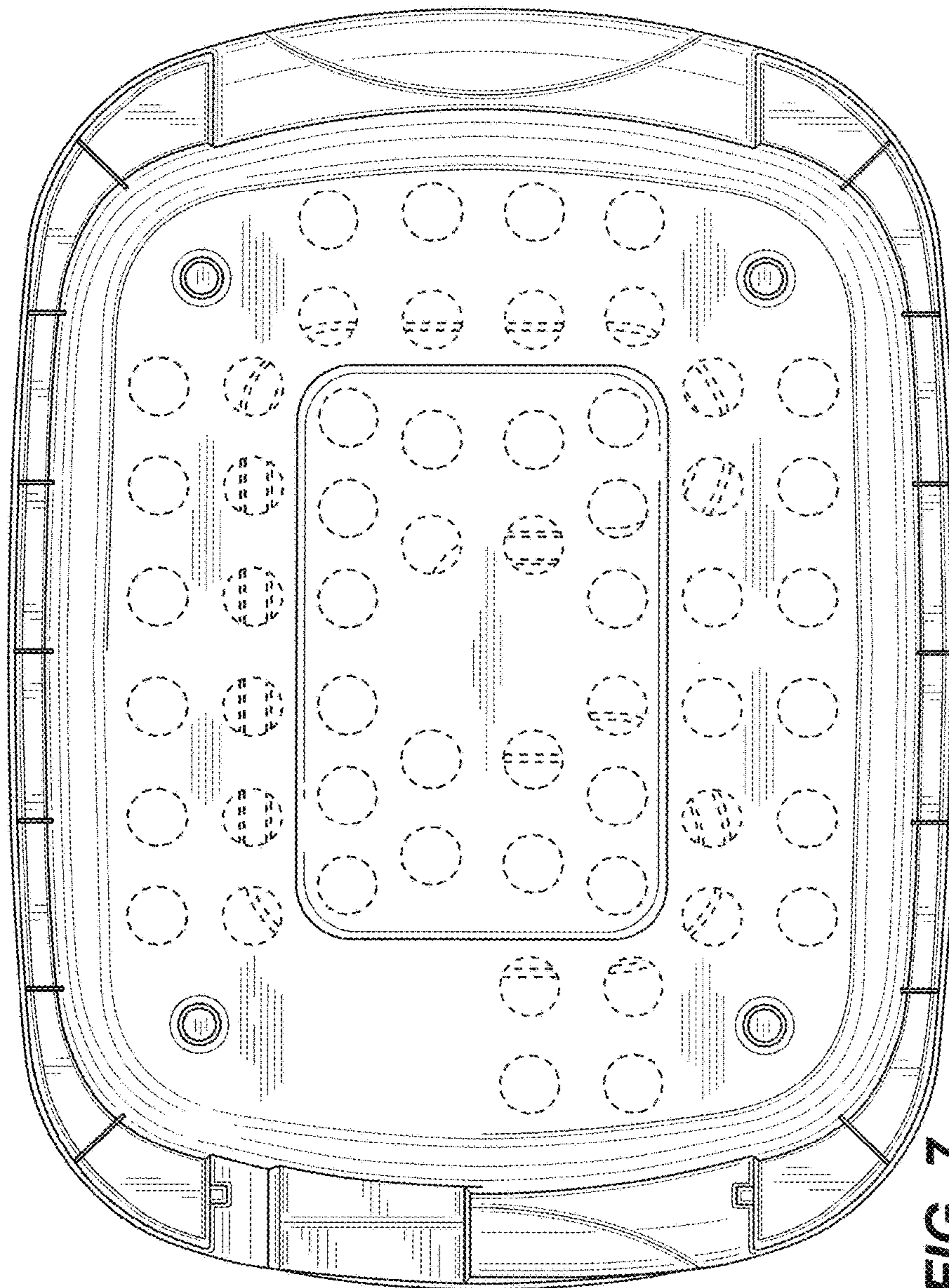


FIG. 7