

US00D804234S

(12) **United States Design Patent**  
**Cedergren**

(10) **Patent No.:** **US D804,234 S**

(45) **Date of Patent:** **\*\* Dec. 5, 2017**

(54) **DISPENSING DEVICE TO DISPENSE LIQUID FOOD**

(71) Applicant: **Asept International AB**, Lund (SE)

(72) Inventor: **Stefan Cedergren**, Bunkeflostrand (SE)

(73) Assignee: **Asept International AB** (SE)

(\*\*) Term: **15 Years**

(21) Appl. No.: **29/558,225**

(22) Filed: **Mar. 16, 2016**

(51) **LOC (10) Cl.** ..... **09-01**

(52) **U.S. Cl.**  
USPC ..... **D7/305**

(58) **Field of Classification Search**  
USPC ..... D7/300, 300.1, 302, 303–305, 313, 318,  
D7/591  
CPC ..... A47J 43/00; A47J 31/46; A47J 44/00  
See application file for complete search history.

(56) **References Cited**

**U.S. PATENT DOCUMENTS**

D569,685 S \* 5/2008 Liu ..... D7/387  
D581,212 S \* 11/2008 Macler ..... D7/397  
D596,486 S \* 7/2009 Pearsall ..... D10/101

D604,466 S \* 11/2009 Gaa ..... D32/29.1  
D661,957 S \* 6/2012 Lee ..... D7/700  
D666,863 S \* 9/2012 Fallon ..... D7/300  
D687,273 S \* 8/2013 Breitenmoser ..... D8/14.1  
D773,544 S \* 12/2016 Tseng ..... D15/150  
D787,871 S \* 5/2017 Roso ..... D6/710

\* cited by examiner

*Primary Examiner* — Daniel Bui

*Assistant Examiner* — Andrew Kerr

(74) *Attorney, Agent, or Firm* — Tarolli, Sundheim,  
Covell & Tummino LLP

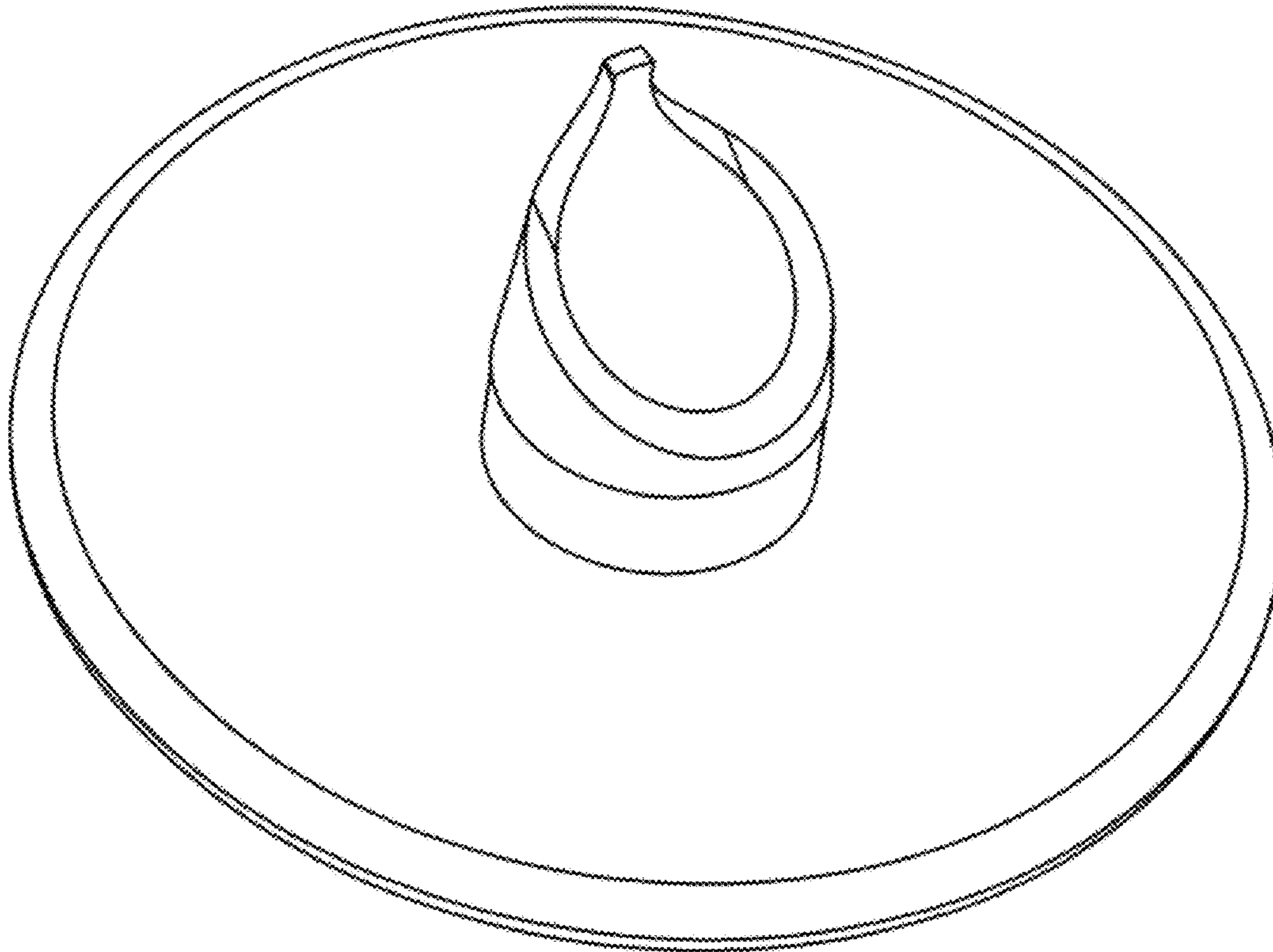
(57) **CLAIM**

I claim the ornamental design for a dispensing device to dispense liquid food, as shown and described.

**DESCRIPTION**

FIG. 1 is a top perspective view of a dispensing device to dispense liquid food;  
FIG. 2 is a bottom perspective view of the dispensing device to dispense liquid food of FIG. 1;  
FIG. 3 is a rear side view of the dispensing device to dispense liquid food of FIG. 1;  
FIG. 4 is a front side view of the dispensing device to dispense liquid food of FIG. 1; and,  
FIG. 5 is a right side view of the dispensing device to dispense liquid food of FIG. 1.

**1 Claim, 3 Drawing Sheets**



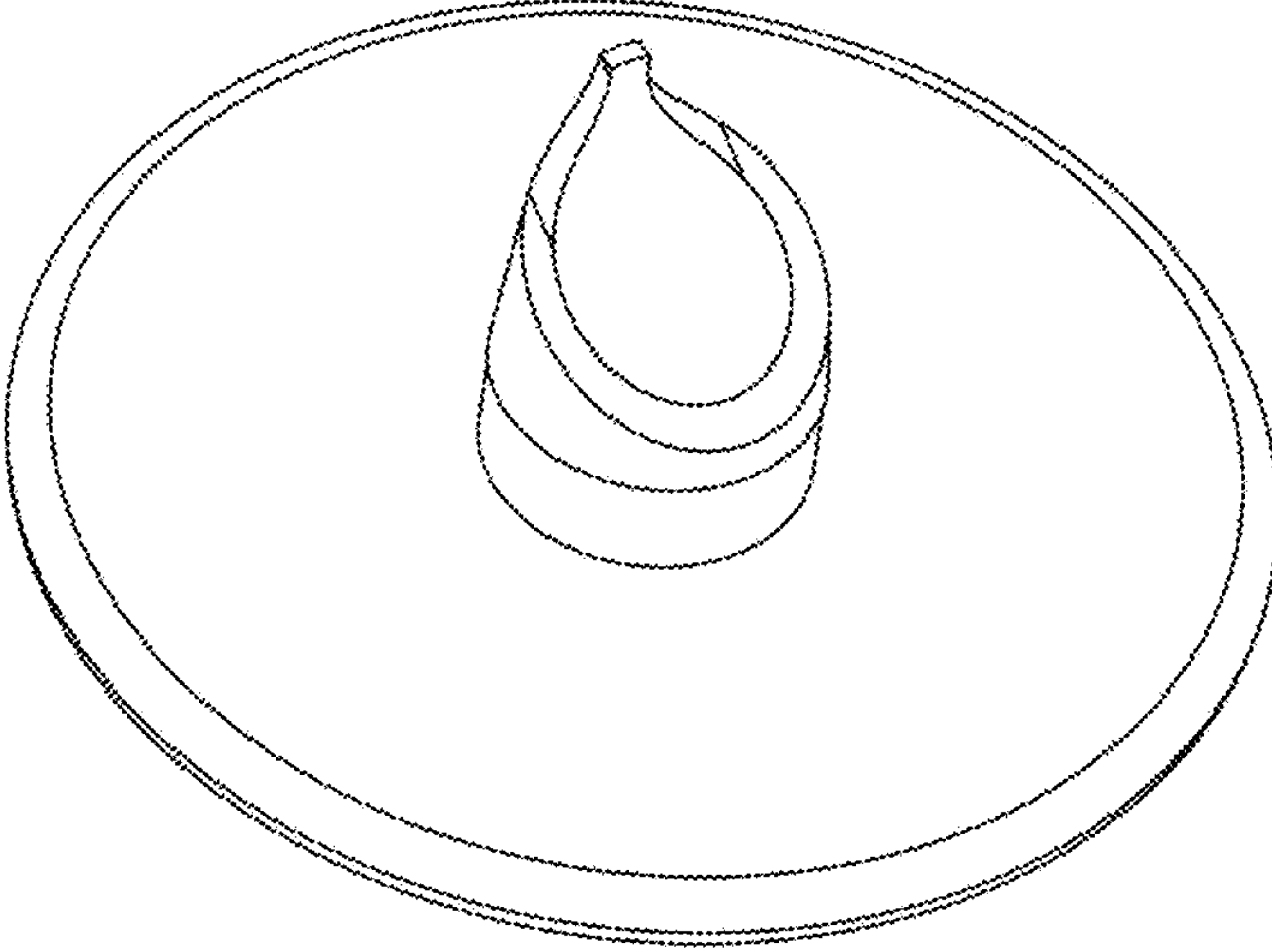


Fig. 1

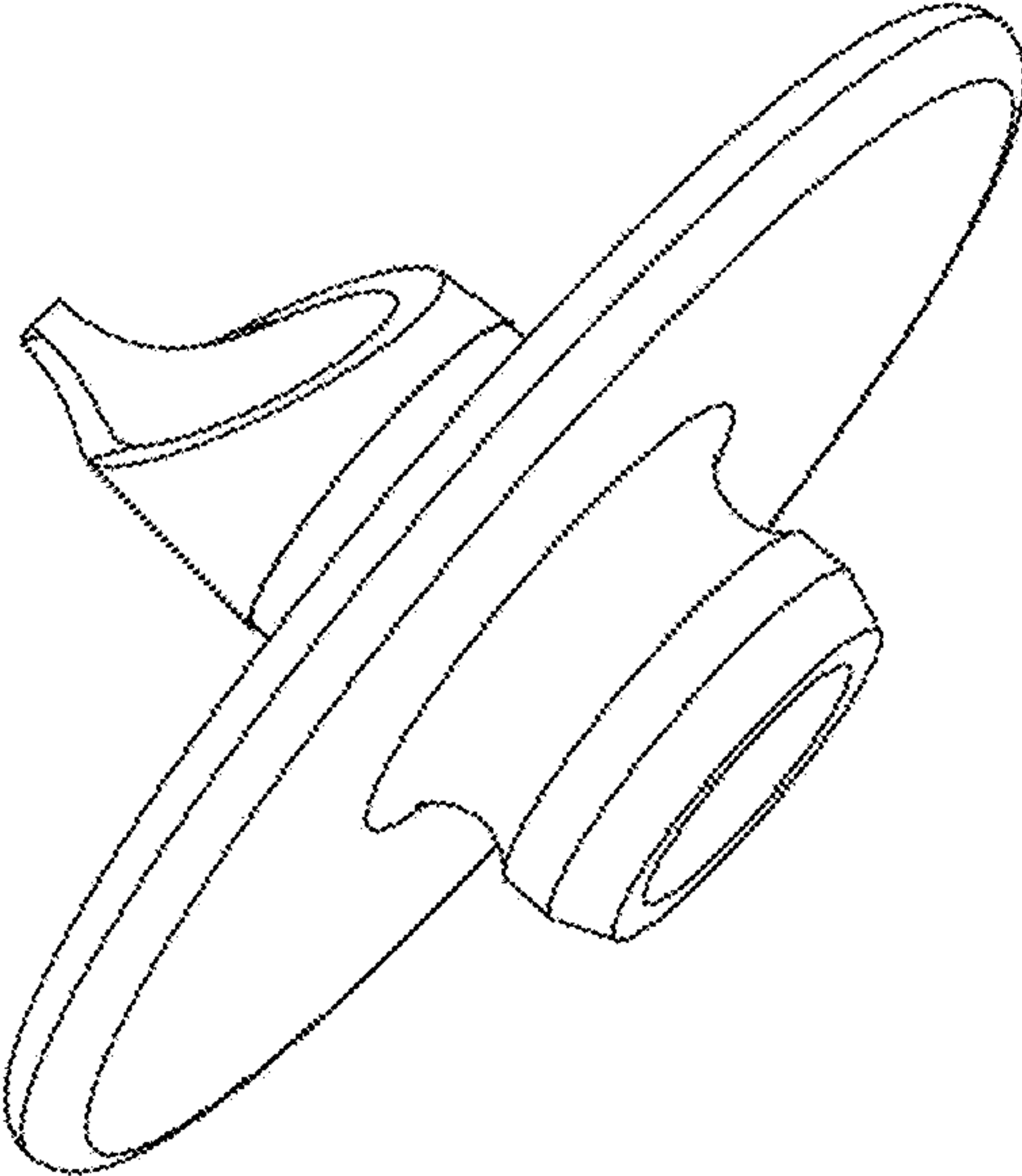


Fig. 2

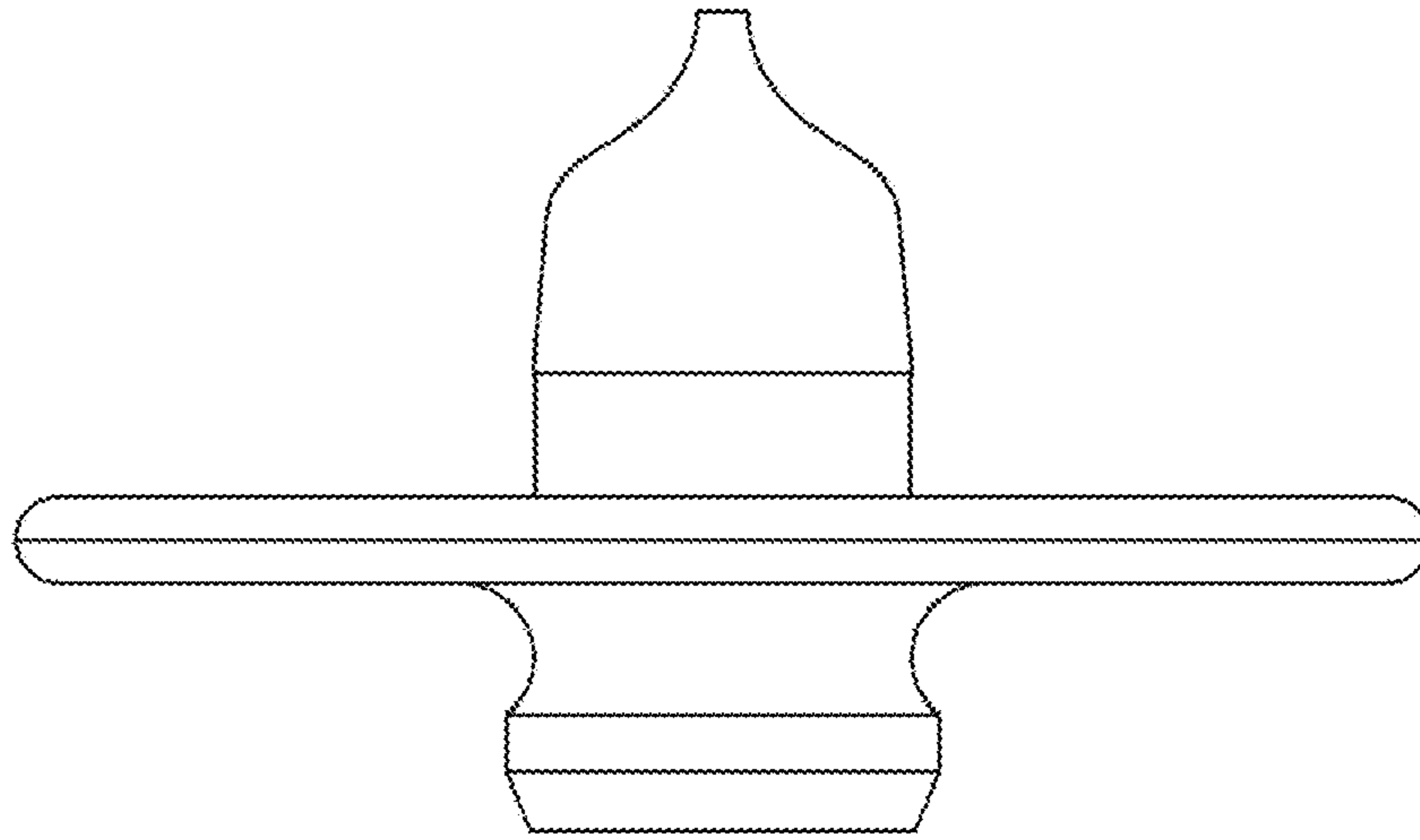


Fig. 3

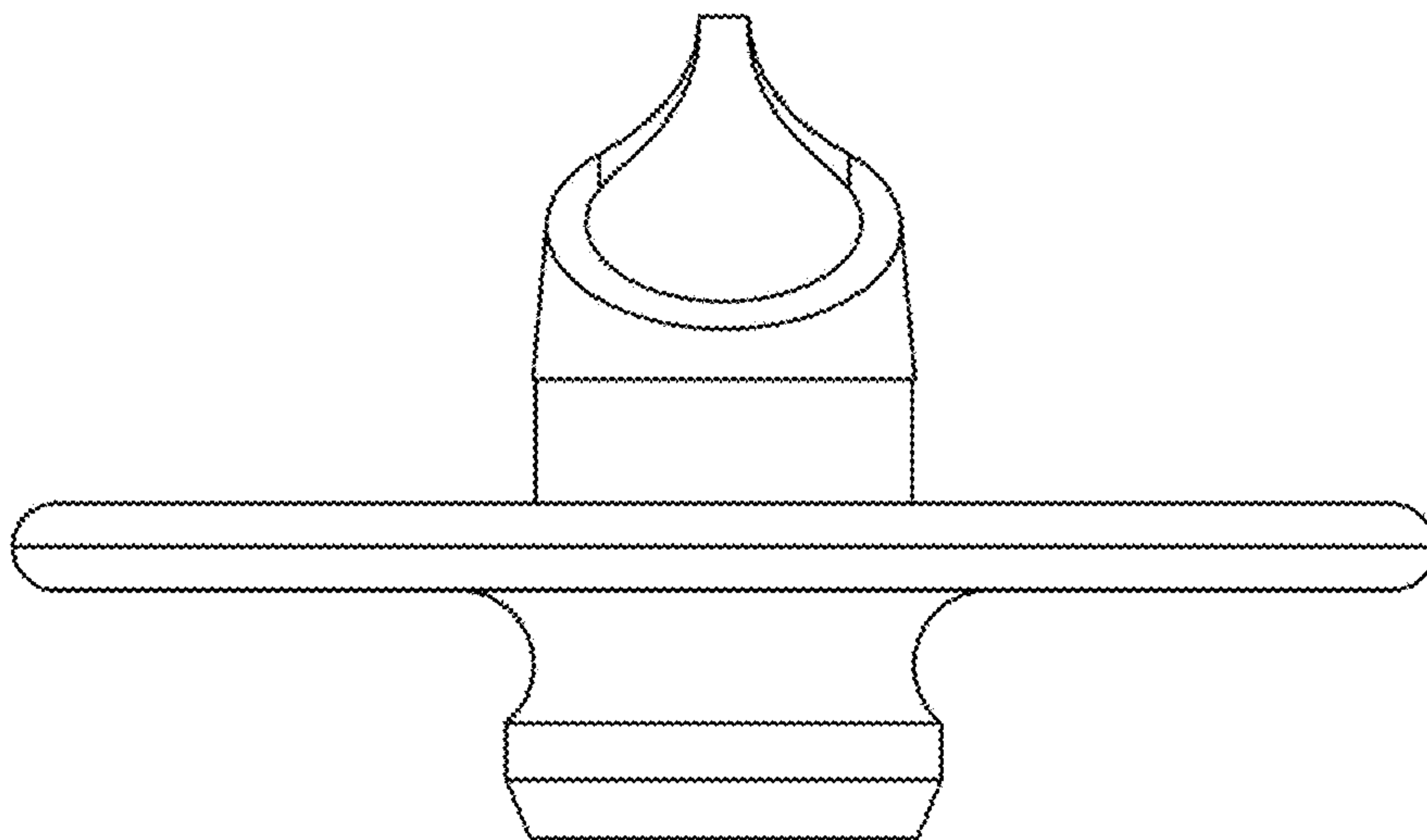


Fig. 4

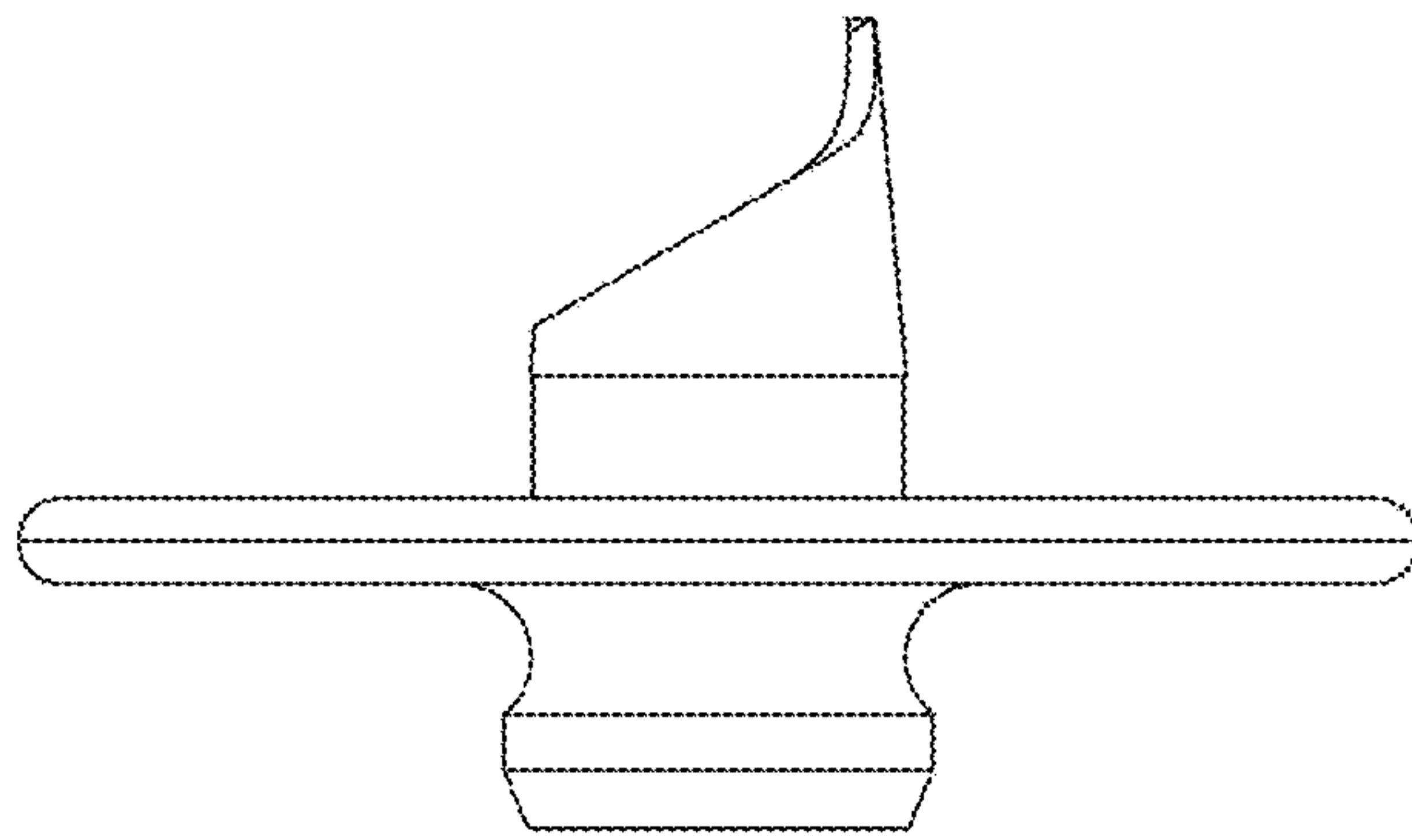


Fig. 5

UNITED STATES PATENT AND TRADEMARK OFFICE  
**CERTIFICATE OF CORRECTION**

PATENT NO. : D804,234 S  
APPLICATION NO. : 29/558225  
DATED : December 5, 2017  
INVENTOR(S) : Stefan Cedergren

Page 1 of 1

It is certified that error appears in the above-identified patent and that said Letters Patent is hereby corrected as shown below:

On the Title Page

Insert item (30), Foreign Application Priority Data:  
--EP 002773895 filed Sep 16, 2015--

Signed and Sealed this  
First Day of October, 2019



Andrei Iancu  
*Director of the United States Patent and Trademark Office*