

US00D804233S

(12) **United States Design Patent** (10) **Patent No.:** **US D804,233 S**  
**Silsby et al.** (45) **Date of Patent:** **\*\* Dec. 5, 2017**

(54) **COCKTAIL SHAKER**

(71) Applicant: **Pacific Market International, LLC**,  
Seattle, WA (US)

(72) Inventors: **Jacob D. Silsby**, Seattle, WA (US);  
**Evan Michael Choltco-Devlin**,  
Ellensburg, WA (US)

(73) Assignee: **Pacific Market International, Inc.**,  
Seattle, WA (US)

(\*\*) Term: **15 Years**

(21) Appl. No.: **29/566,319**

(22) Filed: **May 27, 2016**

(51) **LOC (10) Cl.** ..... **07-01**

(52) **U.S. Cl.**

USPC ..... **D7/300.1**

(58) **Field of Classification Search**

USPC ..... D7/507, 509, 510, 511, 523, 529, 532,  
D7/608, 300, 300.1, 591, 592, 598, 396.1,  
D7/396.2, 213, 900, 396.6, 534, 400,  
D7/553.4, 553.6, 503; D9/435, 904, 905,  
D9/447, 449, 453, 520, 549, 726;  
220/703, 713, 592.17, 504, 505, 527,  
220/62.12, 625; 222/547, 129.1  
CPC ..... A47G 19/22; A47G 19/2211; A45F 3/16;  
A47J 43/27

See application file for complete search history.

(56) **References Cited**

**U.S. PATENT DOCUMENTS**

D761,607 S *	7/2016	Gamelli	.....	D7/300.1
D769,043 S *	10/2016	Gamelli	.....	D7/300.1
D778,095 S *	2/2017	Gamelli	.....	D7/300.1
D783,360 S *	4/2017	Sawyer	.....	D7/510
2013/0126369 A1 *	5/2013	Gamelli	.....	B65D 43/02 206/217

**OTHER PUBLICATIONS**

“OXO Good Grips Press and Pour Cocktail Shaker,” <<https://www.oxo.com/steel-press-pour-cocktail-shaker-536>> [retrieved Sep. 13,

2016], 7 pages. OXO product offered for sale prior to the application filing date of May 27, 2016.

\* cited by examiner

*Primary Examiner* — Daniel Bui  
*Assistant Examiner* — Andrew Kerr

(74) *Attorney, Agent, or Firm* — George C. Rondeau, Jr.;  
Davis Wright Tremaine LLP

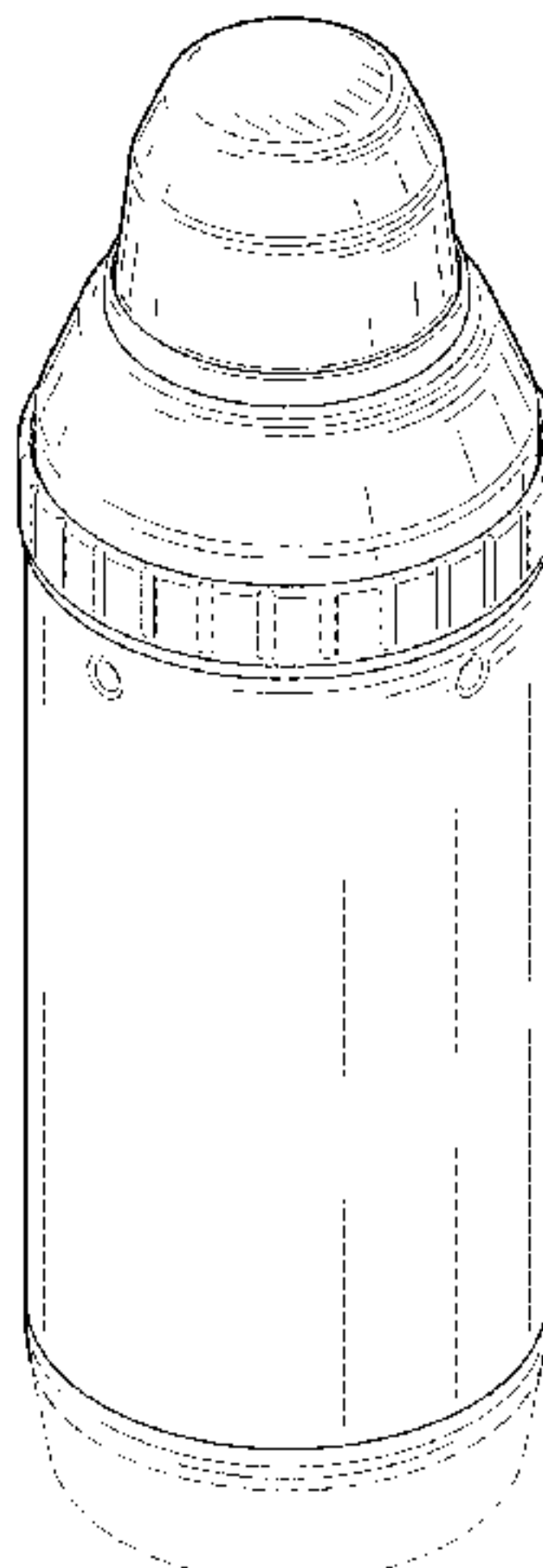
(57) **CLAIM**

The ornamental design for a cocktail shaker, as shown and described.

**DESCRIPTION**

FIG. 1 is a top perspective view of a first embodiment of a cocktail shaker, showing my new invention;  
FIG. 2 is a bottom perspective view thereof;  
FIG. 3 is a front elevation view thereof;  
FIG. 4 is a right side elevation view thereof;  
FIG. 5 is a rear elevation view thereof;  
FIG. 6 is a left side elevation view thereof;  
FIG. 7 is a top plan view thereof;  
FIG. 8 is a bottom plan view thereof;  
FIG. 9 is a top perspective view of a second embodiment of a cocktail shaker, showing my new invention;  
FIG. 10 is a bottom perspective view thereof;  
FIG. 11 is a front elevational view thereof;  
FIG. 12 is a right side elevational view thereof;  
FIG. 13 is a rear elevational view thereof;  
FIG. 14 is a left side elevational view thereof;  
FIG. 15 is a top plan view thereof; and,  
FIG. 16 is a bottom plan view thereof.  
The broken lines in the drawing views represent unclaimed portions of a cocktail shaker, which are included for the purpose of illustrating unclaimed environment only, and forms no part of the claimed design.

**1 Claim, 14 Drawing Sheets**



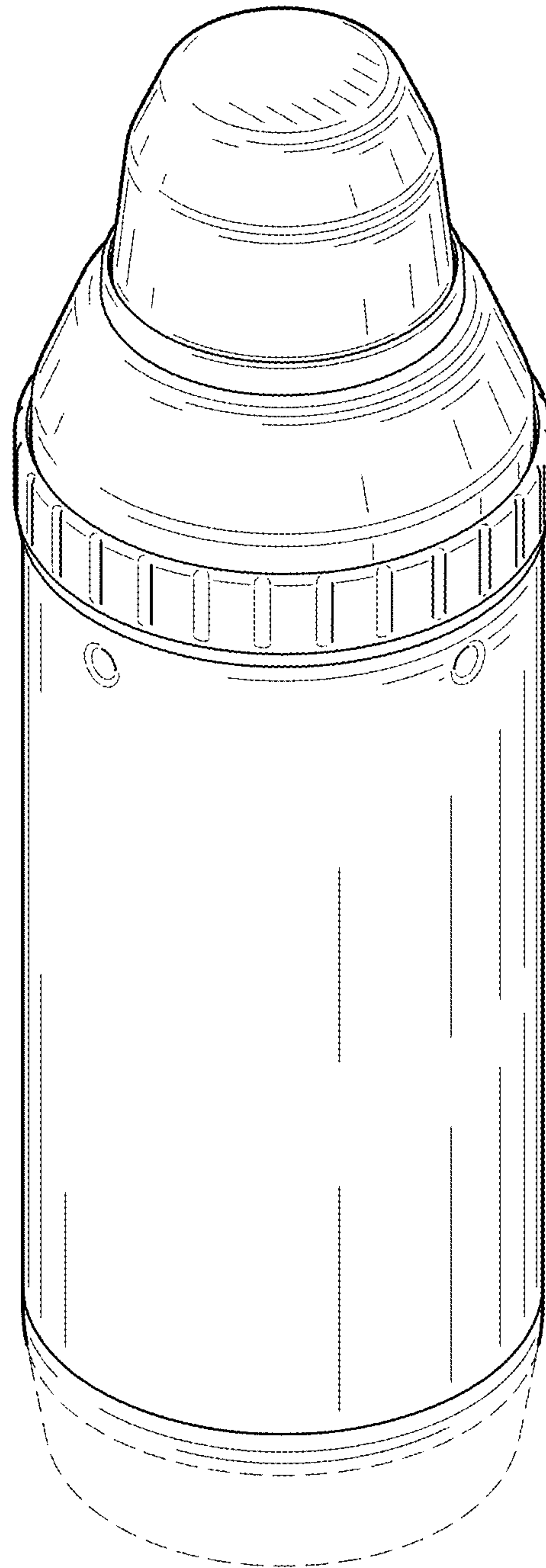


Fig. 1

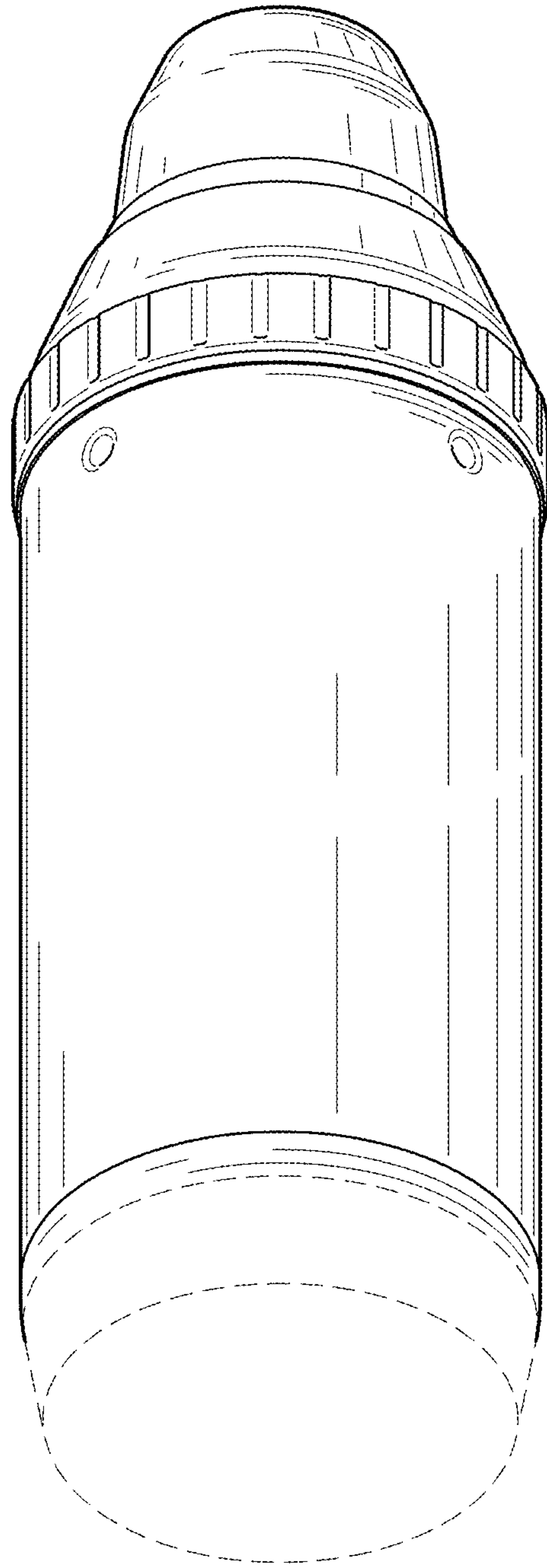


Fig. 2

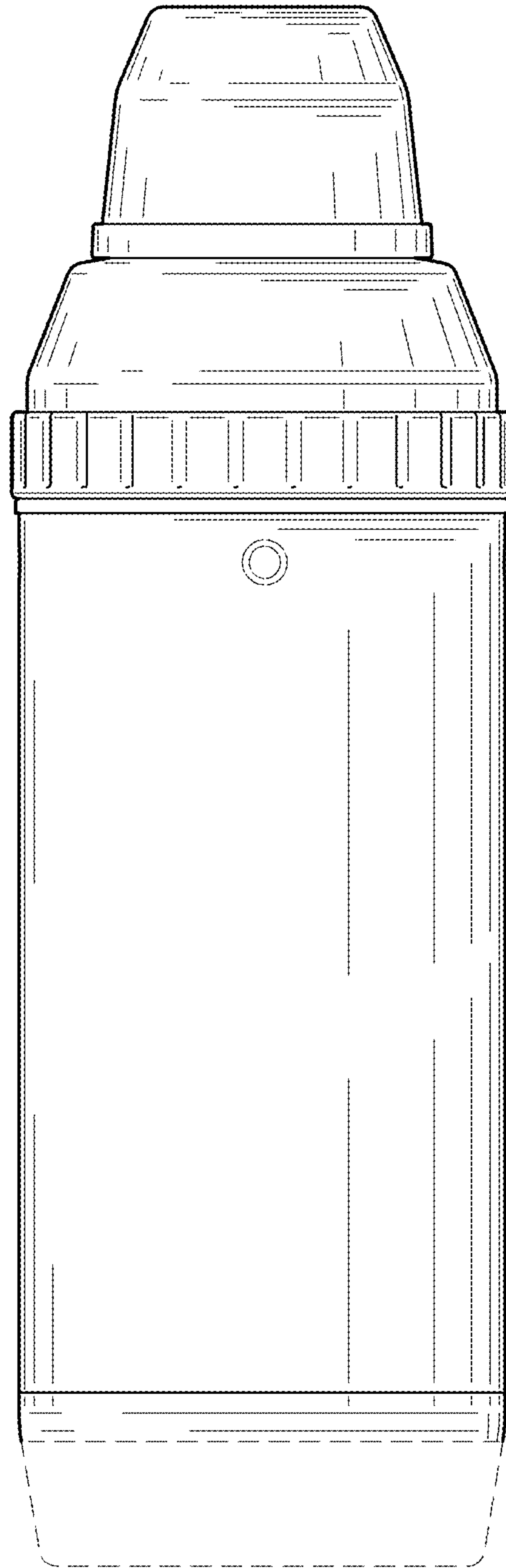


Fig. 3

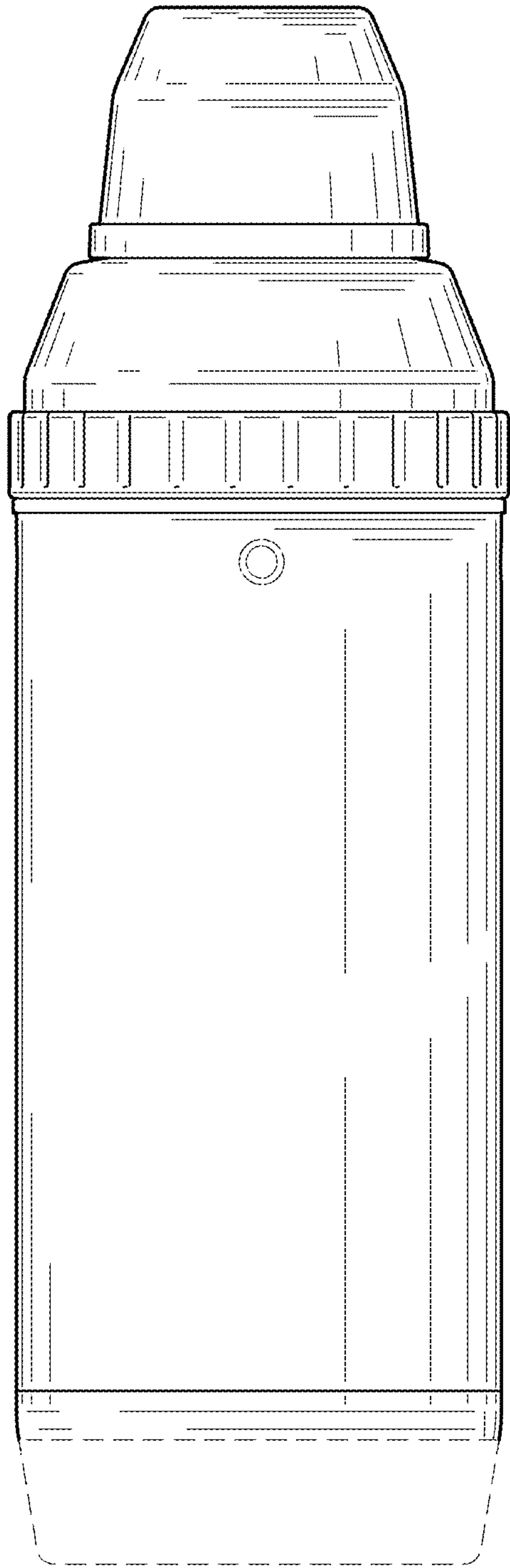


Fig. 4

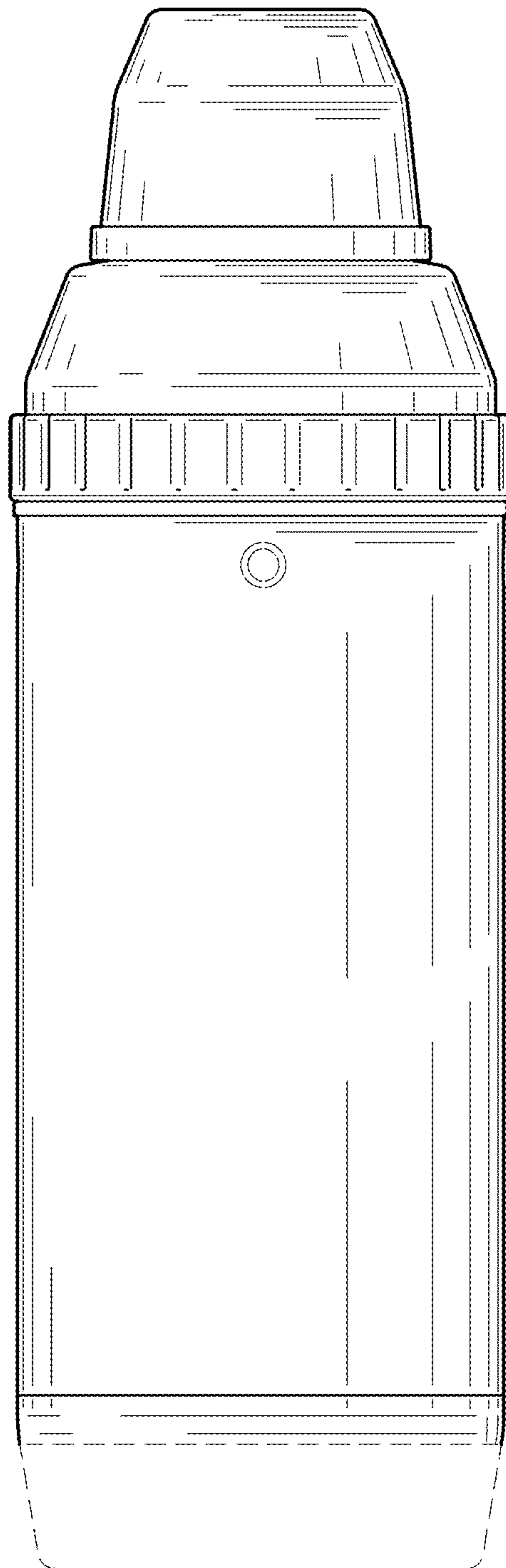


Fig. 5



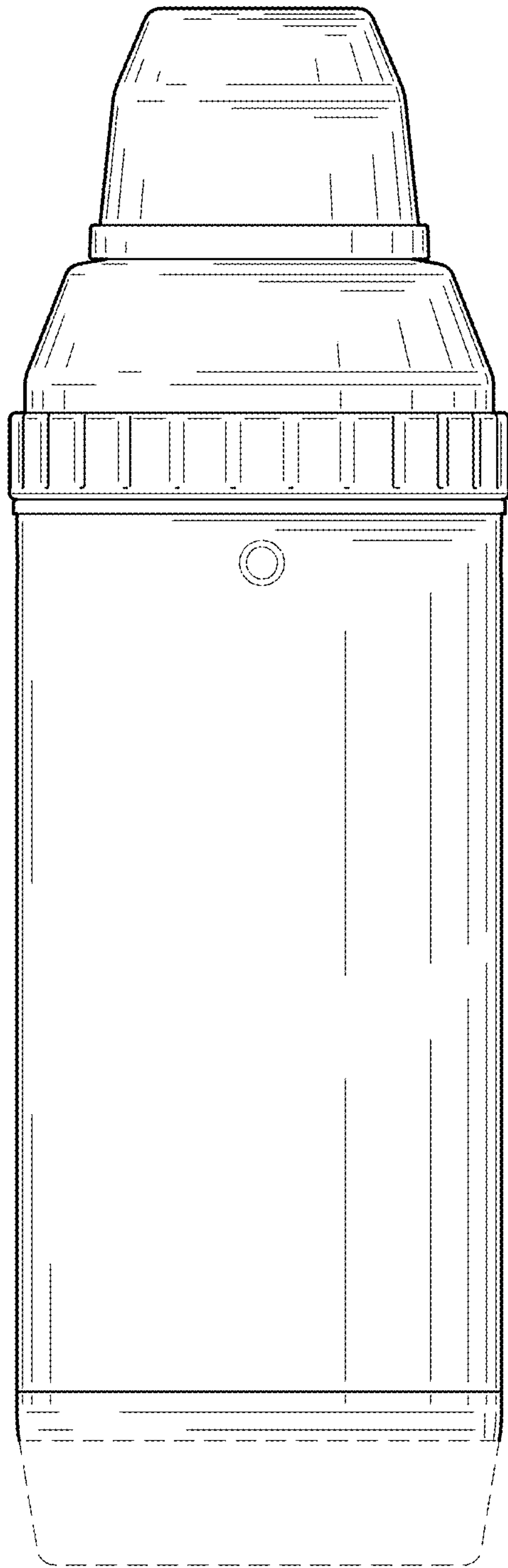


Fig. 6

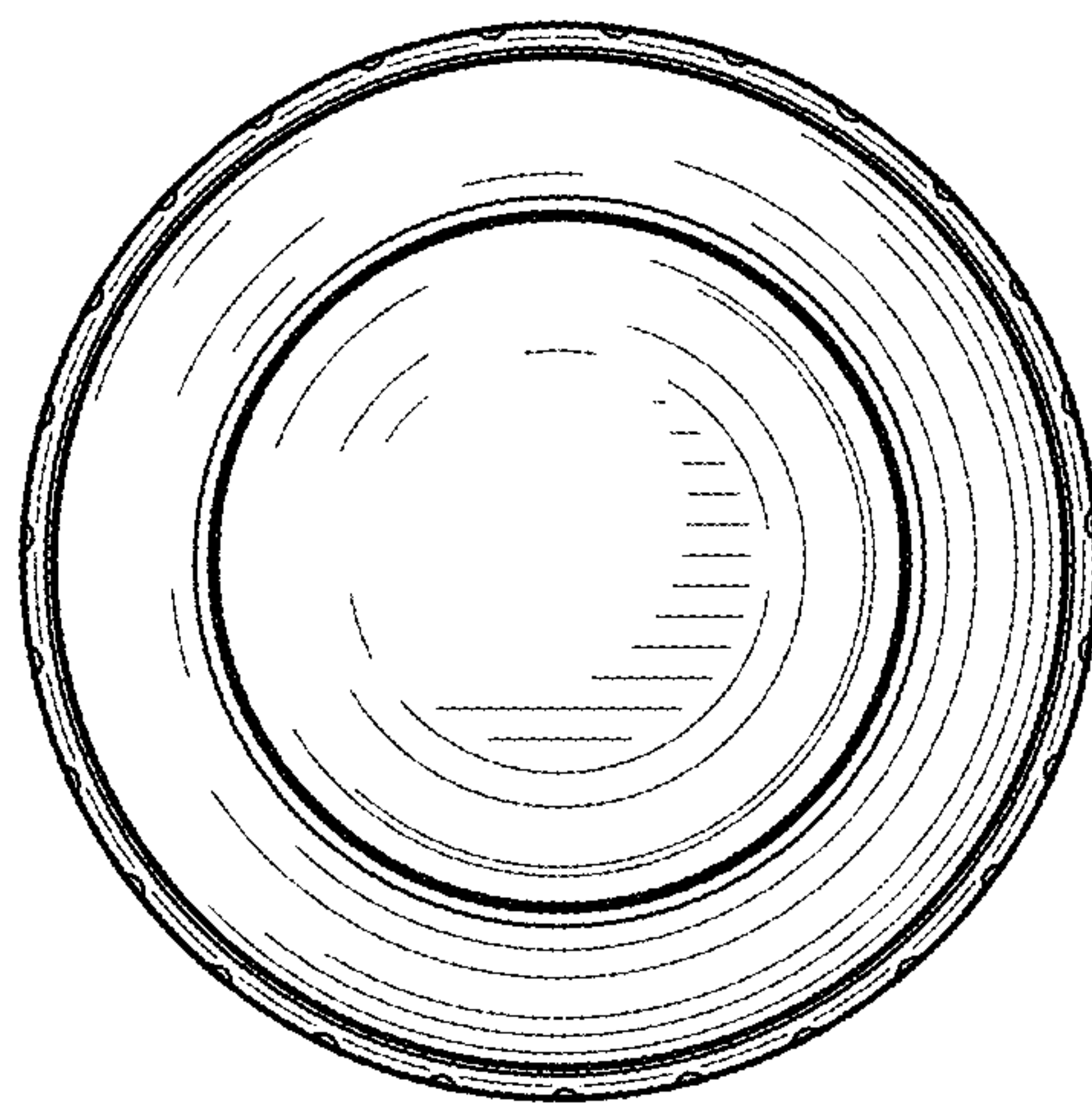


Fig. 7

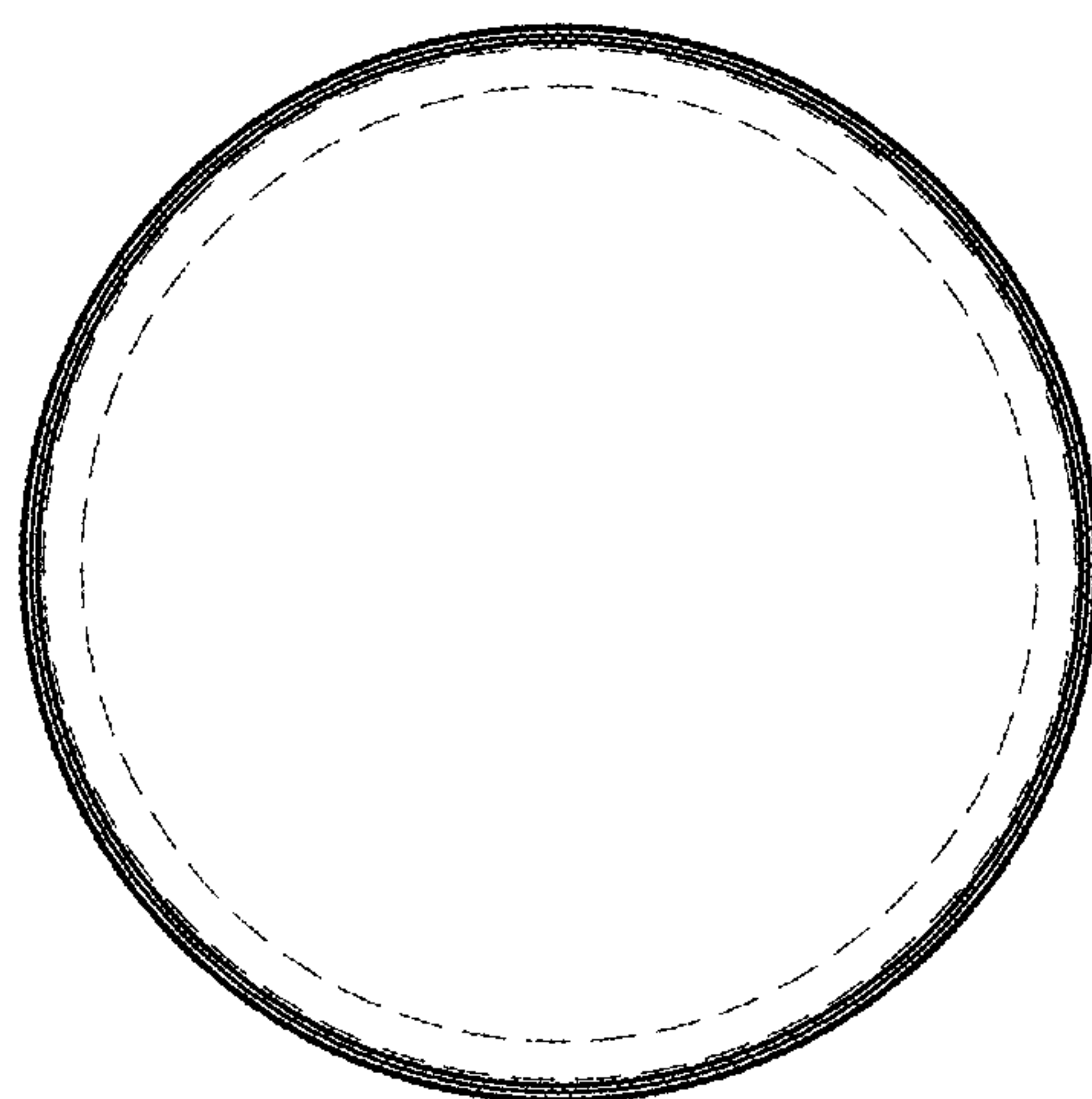


Fig. 8



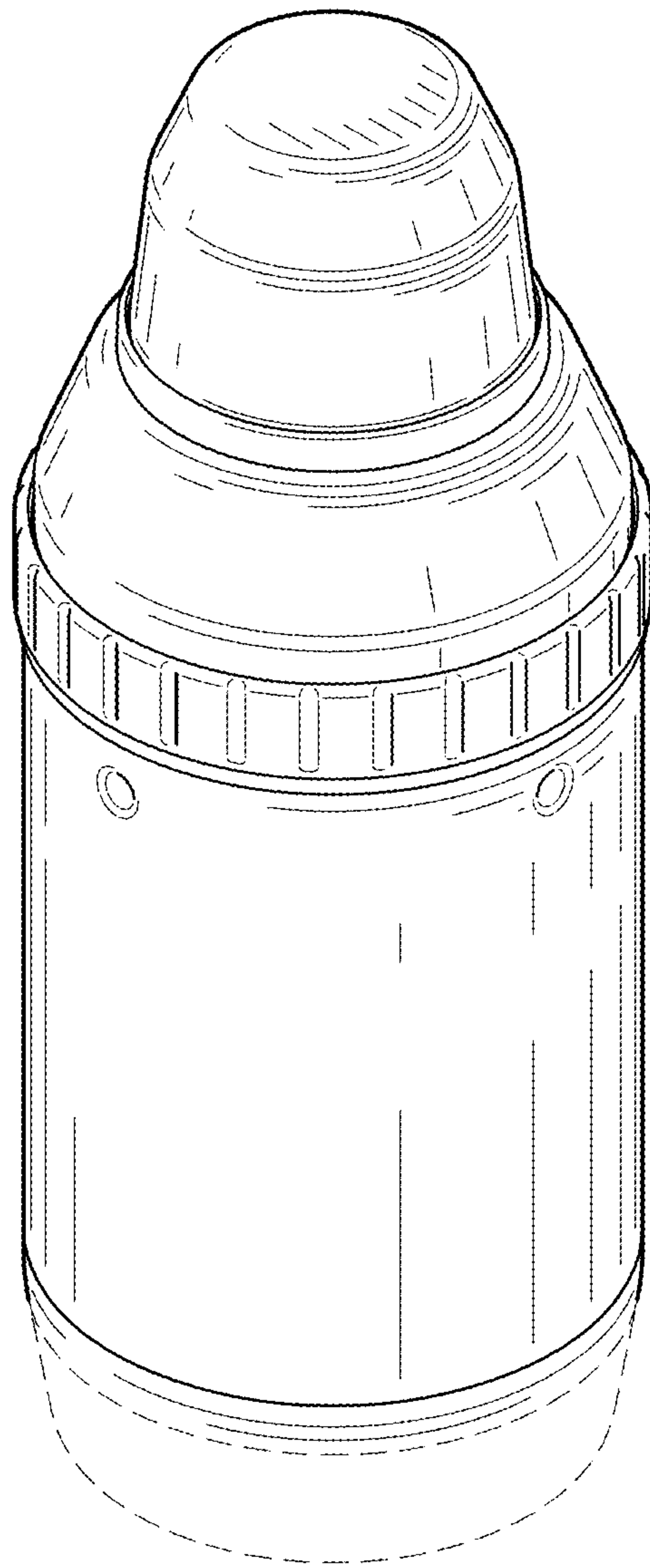


Fig. 9

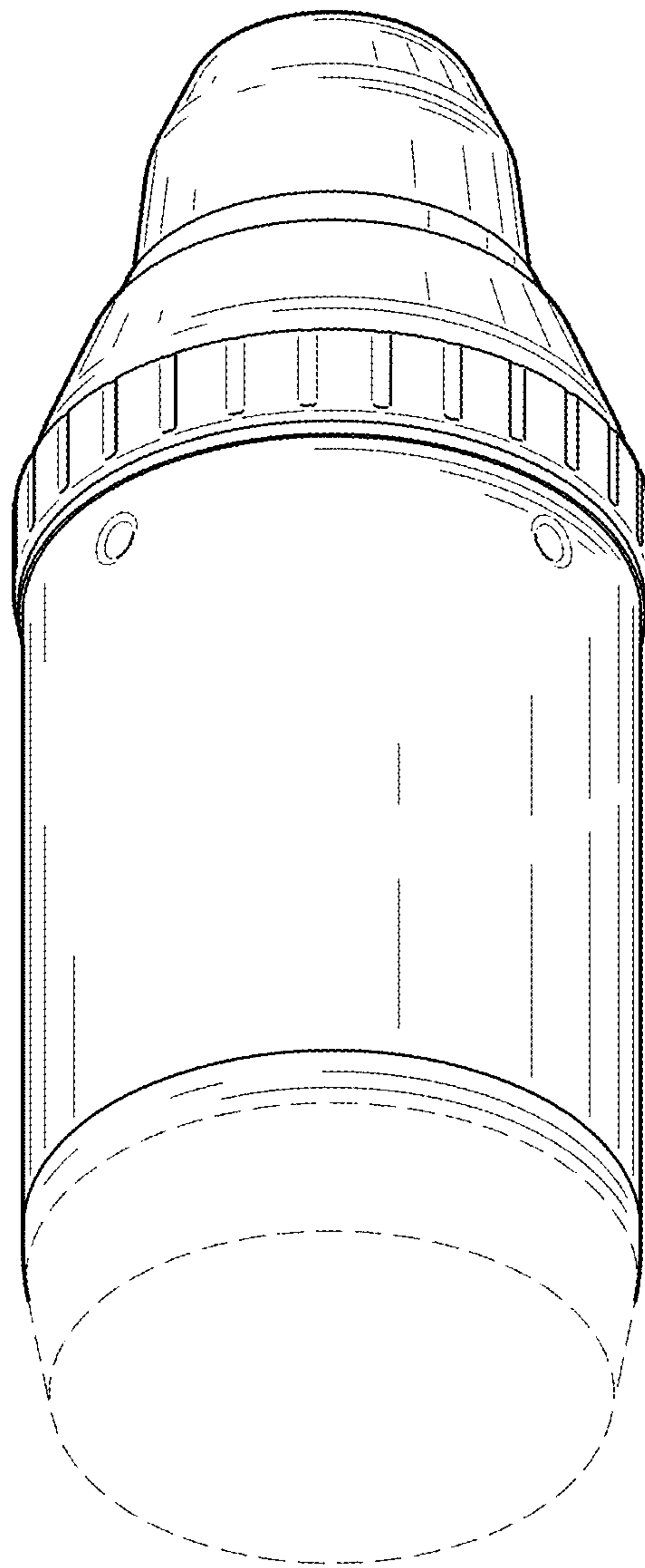


Fig. 10

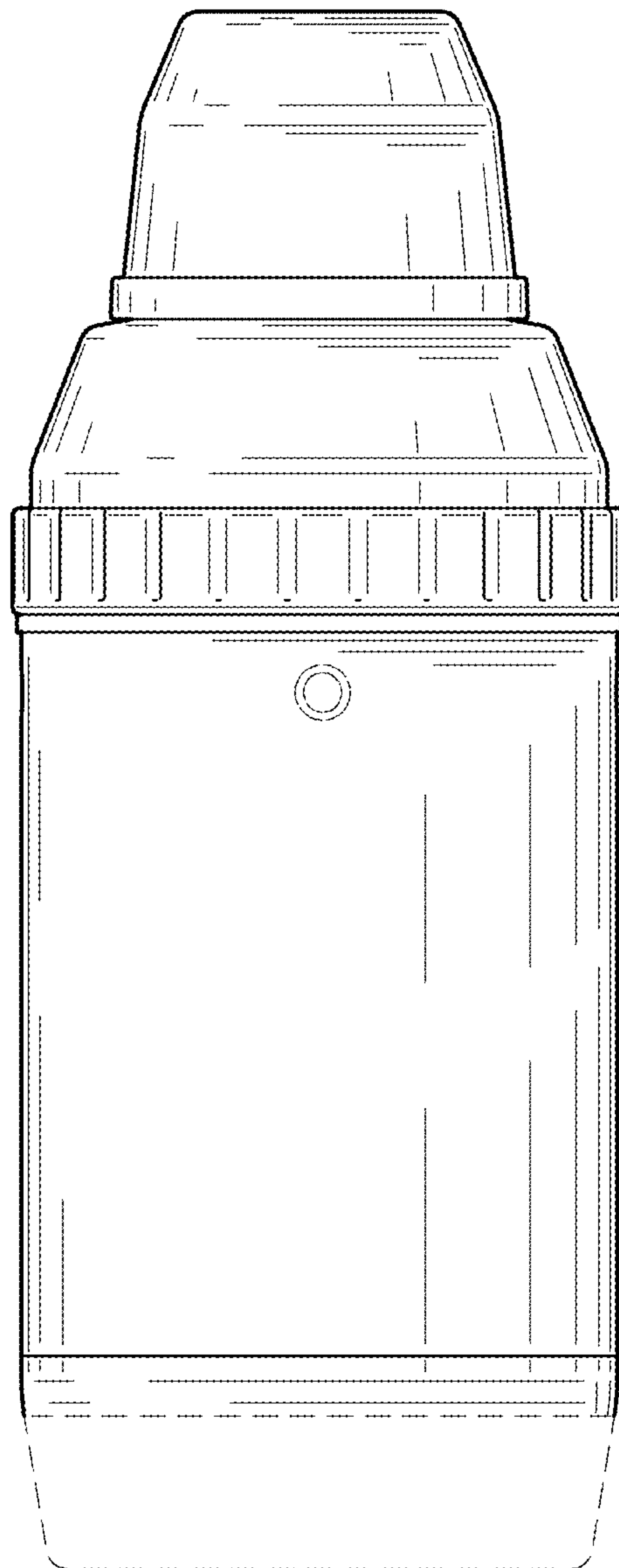


Fig. 11

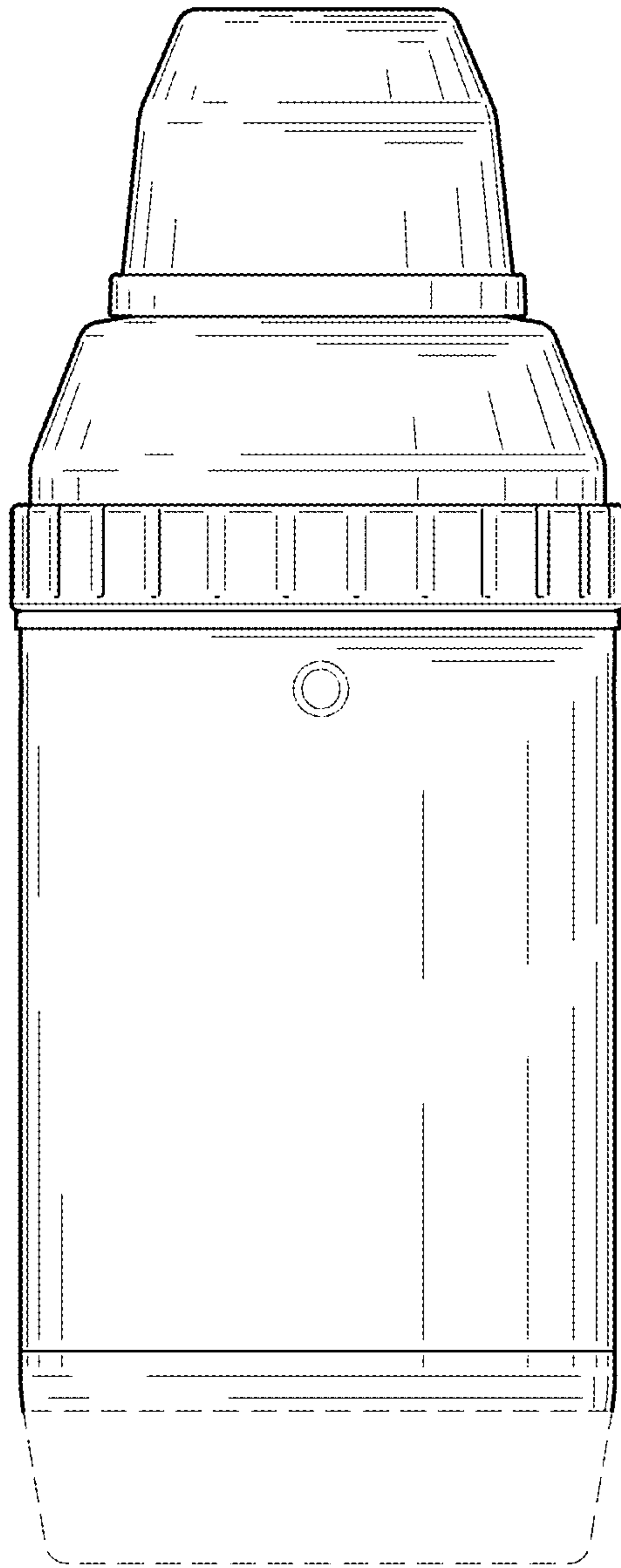


Fig. 12

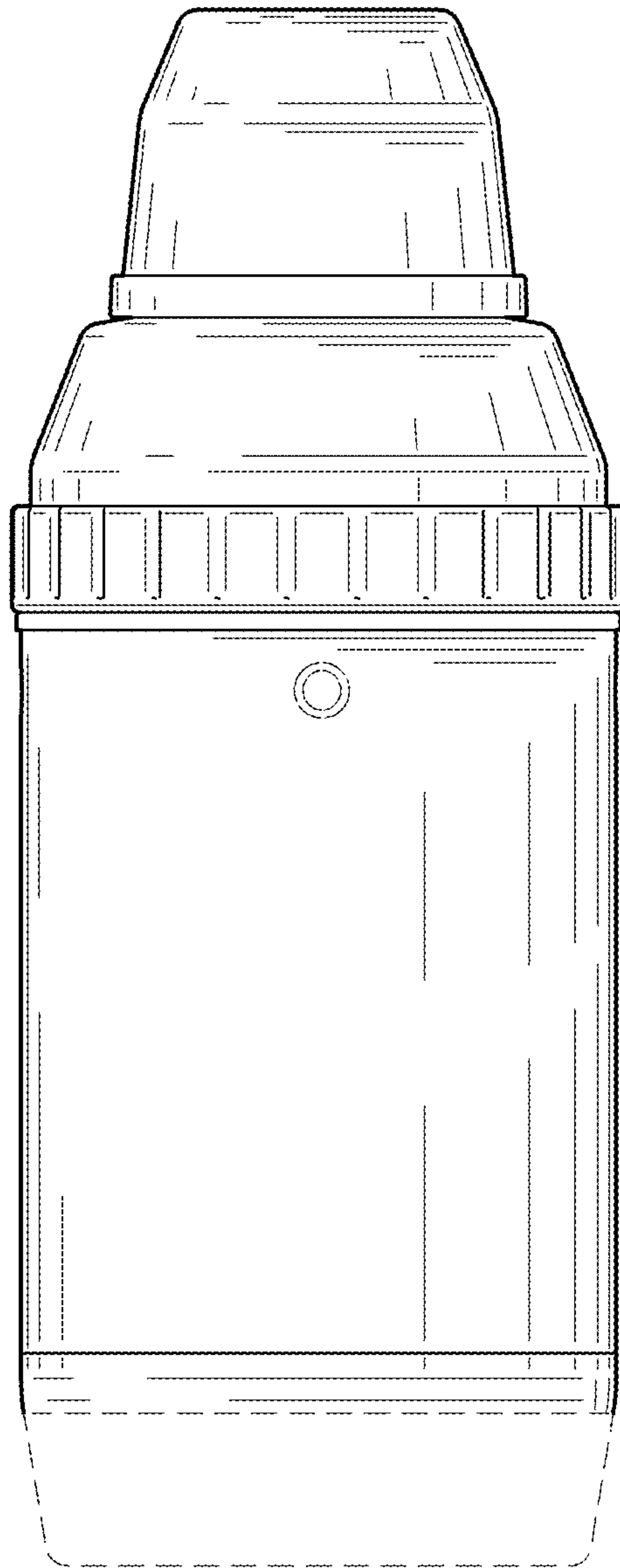


Fig. 13

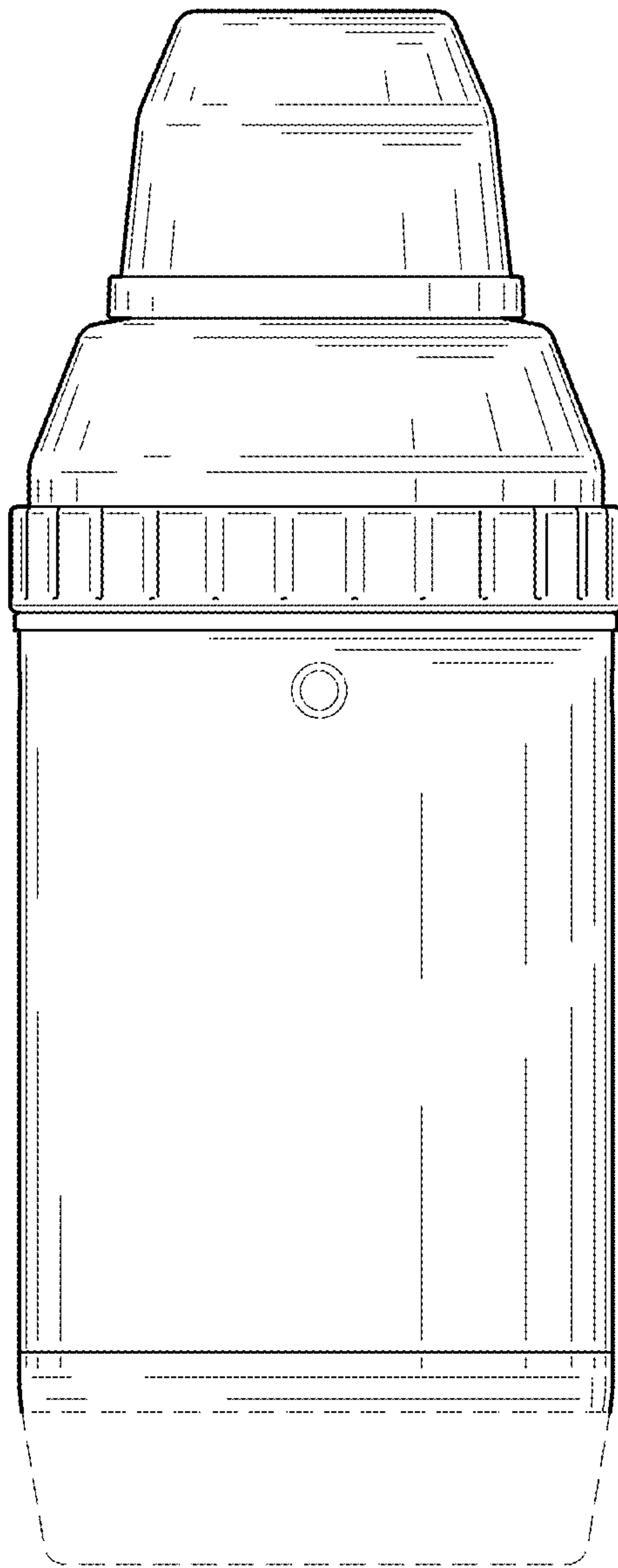


Fig. 14



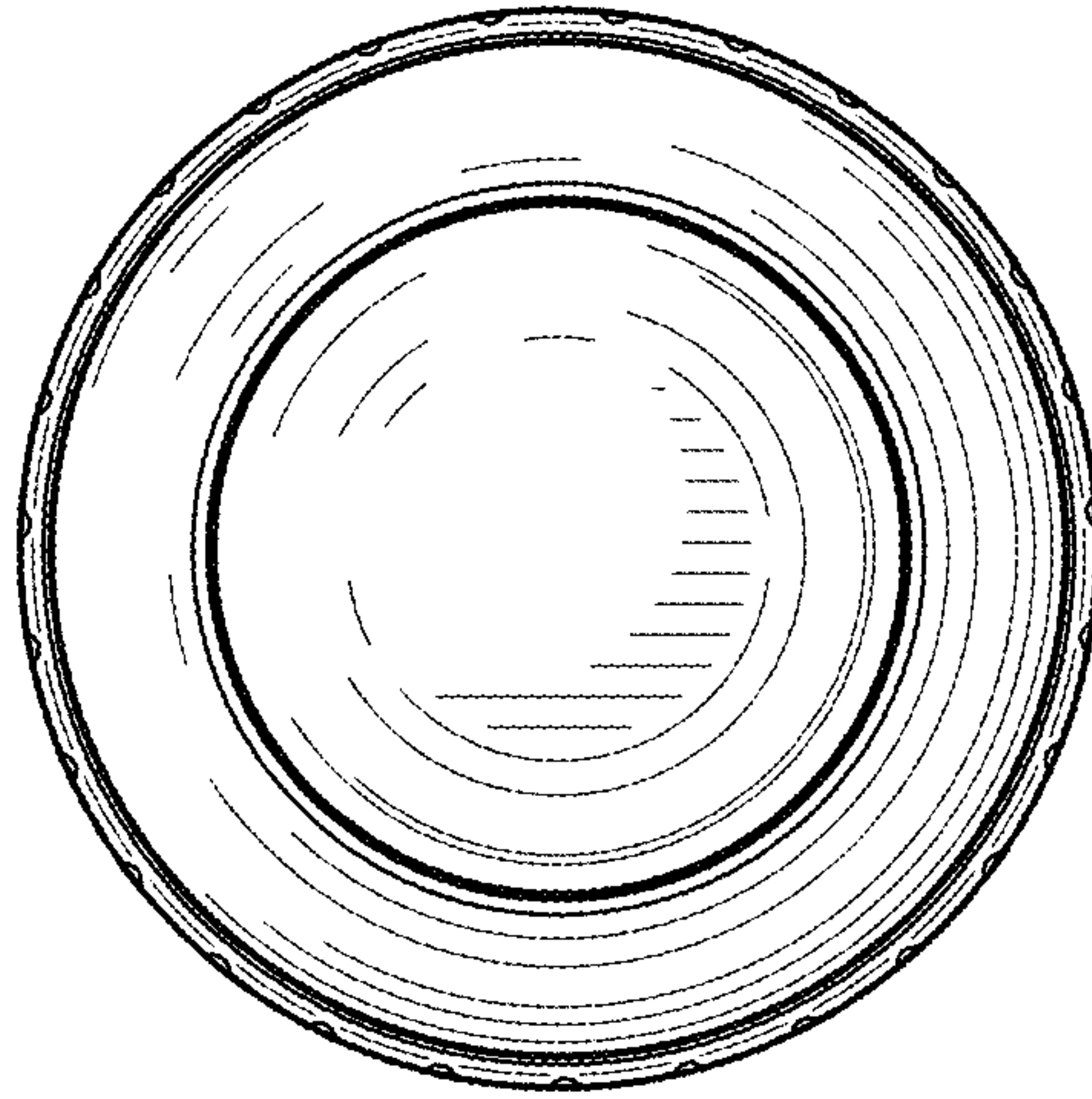


Fig. 15

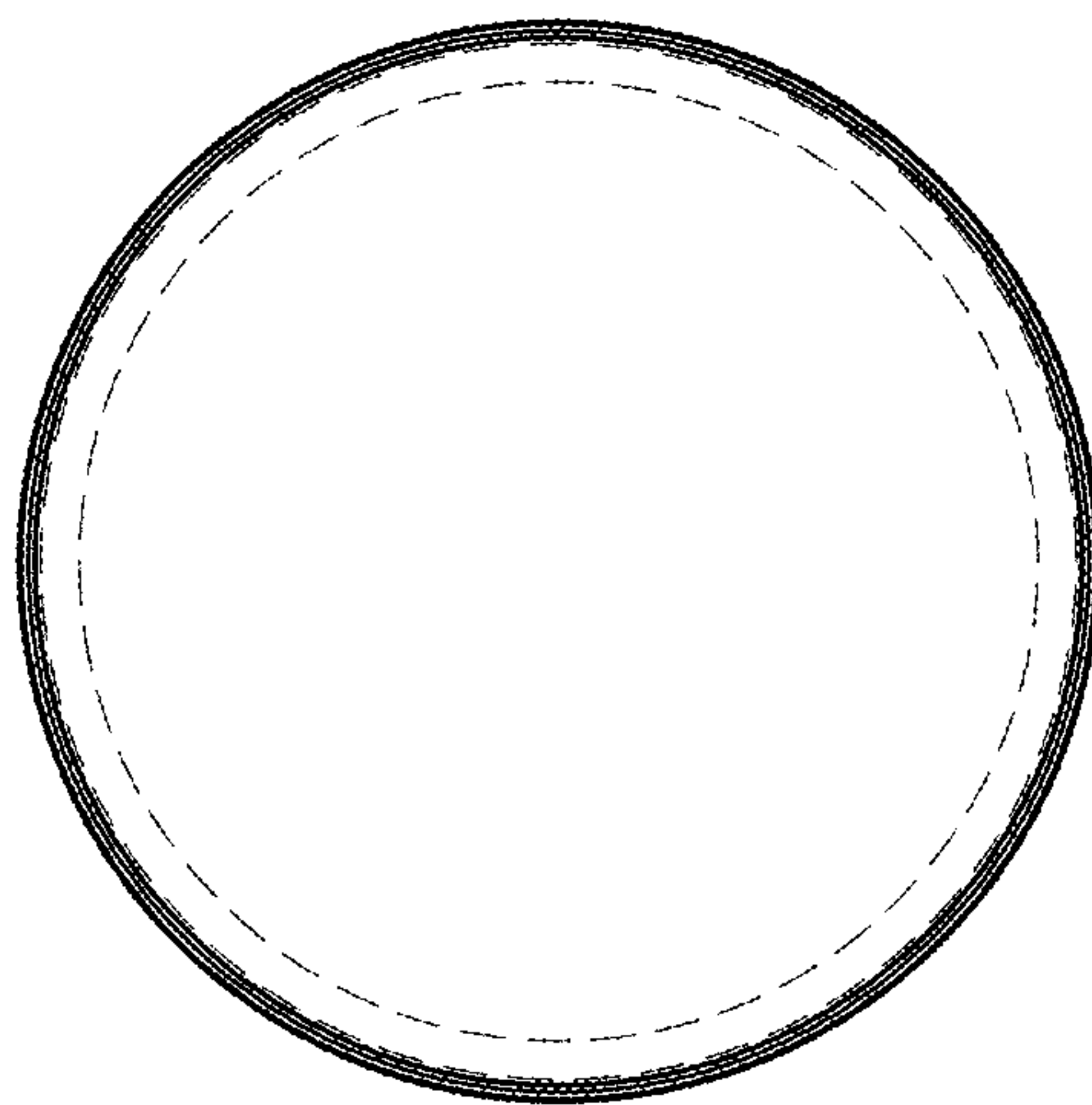


Fig. 16