



US00D804232S

(12) **United States Design Patent**
Oliphant et al.

(10) **Patent No.:** **US D804,232 S**

(45) **Date of Patent:** **** Dec. 5, 2017**

- (54) **SEAT FOR A FOLDING CHAIR**
- (71) Applicant: **Denovo Brands, LLC**, Bentonville, AR (US)
- (72) Inventors: **John M. Oliphant**, Bentonville, AR (US); **Stephen C. Perry**, Bentonville, AR (US)
- (73) Assignee: **Denovo Brands, LLC**, Bentonville, AR (US)
- (**) Term: **15 Years**
- (21) Appl. No.: **29/551,362**
- (22) Filed: **Jan. 13, 2016**
- (51) **LOC (10) Cl.** **06-01**
- (52) **U.S. Cl.**
USPC **D6/716.1; D6/368**
- (58) **Field of Classification Search**
USPC D6/334-336, 368, 373, 374, 379, 380, D6/716, 716.1, 716.2, 716.3, 716.4
CPC .. A47C 4/03; A47C 4/28; A47C 4/283; A47C 4/30; A47C 4/38; A47C 4/40; A47C 4/42; A47C 4/48; A47C 5/06; A47C 5/10
See application file for complete search history.

- D411,381 S * 6/1999 Greaves D6/368
- D593,759 S * 6/2009 Oliphant A47C 4/286
- D639,079 S * 6/2011 Kreitmann D6/335
- D639,577 S * 6/2011 Tseng D6/368

* cited by examiner

Primary Examiner — Mimoso De

(74) *Attorney, Agent, or Firm* — Michael L. Leetzow, P.A.

(57) **CLAIM**

The ornamental design for a seat for a folding chair, as shown and described.

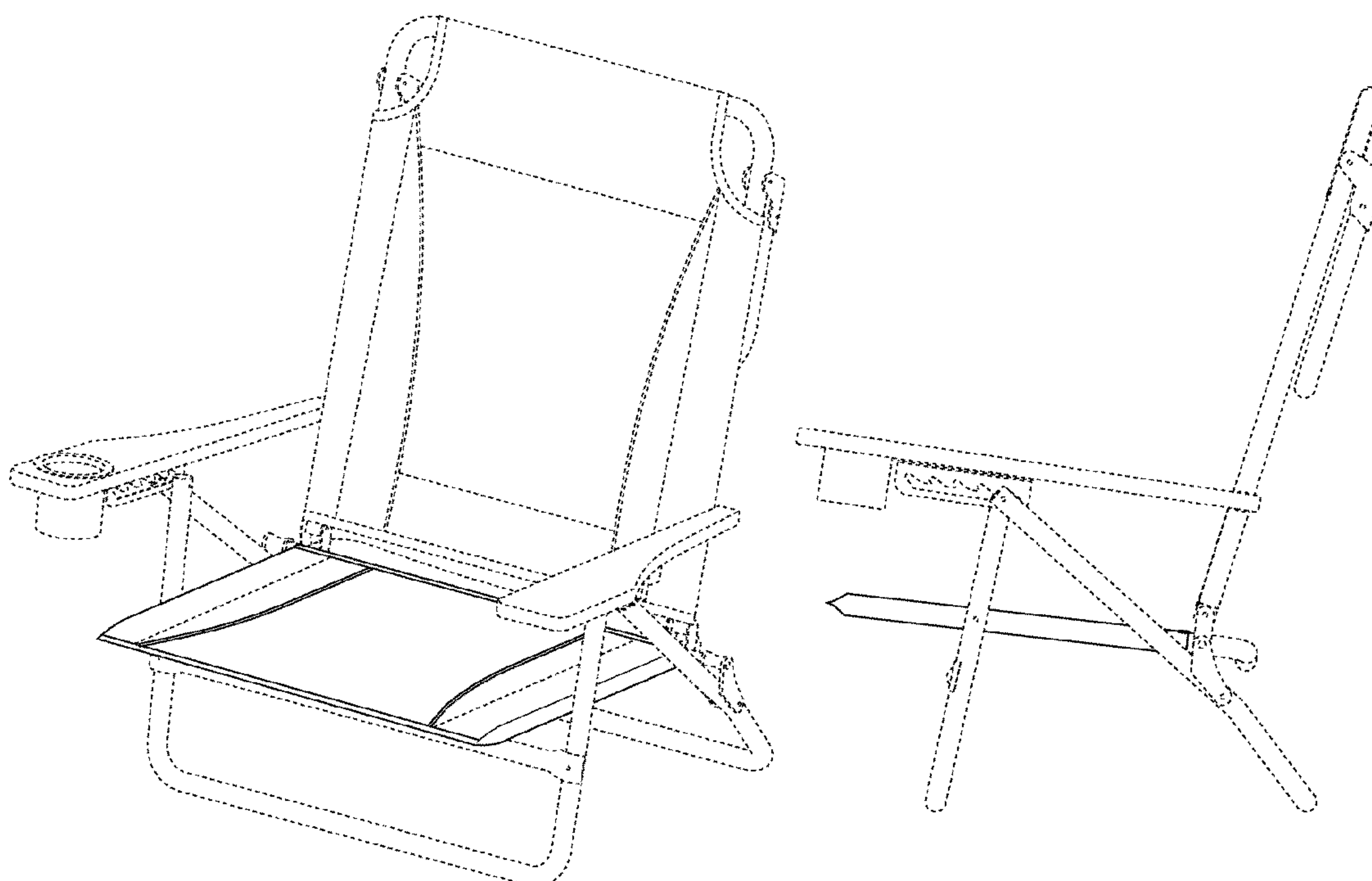
DESCRIPTION

FIG. 1 is a left side perspective view for a seat for a folding chair showing our new design;
 FIG. 2 is a front view of the seat for a folding chair shown in FIG. 1;
 FIG. 3 is a rear view of the seat for a folding chair shown in FIG. 1;
 FIG. 4 is a right side view of the seat for a folding chair shown in FIG. 1;
 FIG. 5 is a left side view of the seat for a folding chair shown in FIG. 1;
 FIG. 6 is a top view of the seat for a folding chair shown in FIG. 1; and,
 FIG. 7 is a bottom view of the seat for a folding chair shown in FIG. 1.

The broken line illustrations in the drawing figures of the chair frame and seams in FIGS. 1-7 are for illustrative purposes only and form no part of the claimed design.

1 Claim, 7 Drawing Sheets

- (56) **References Cited**
U.S. PATENT DOCUMENTS
3,659,898 A * 5/1972 Yellin A47C 5/06 297/27
D241,792 S * 10/1976 Wehner D6/368
D360,082 S * 7/1995 Tseng D6/368



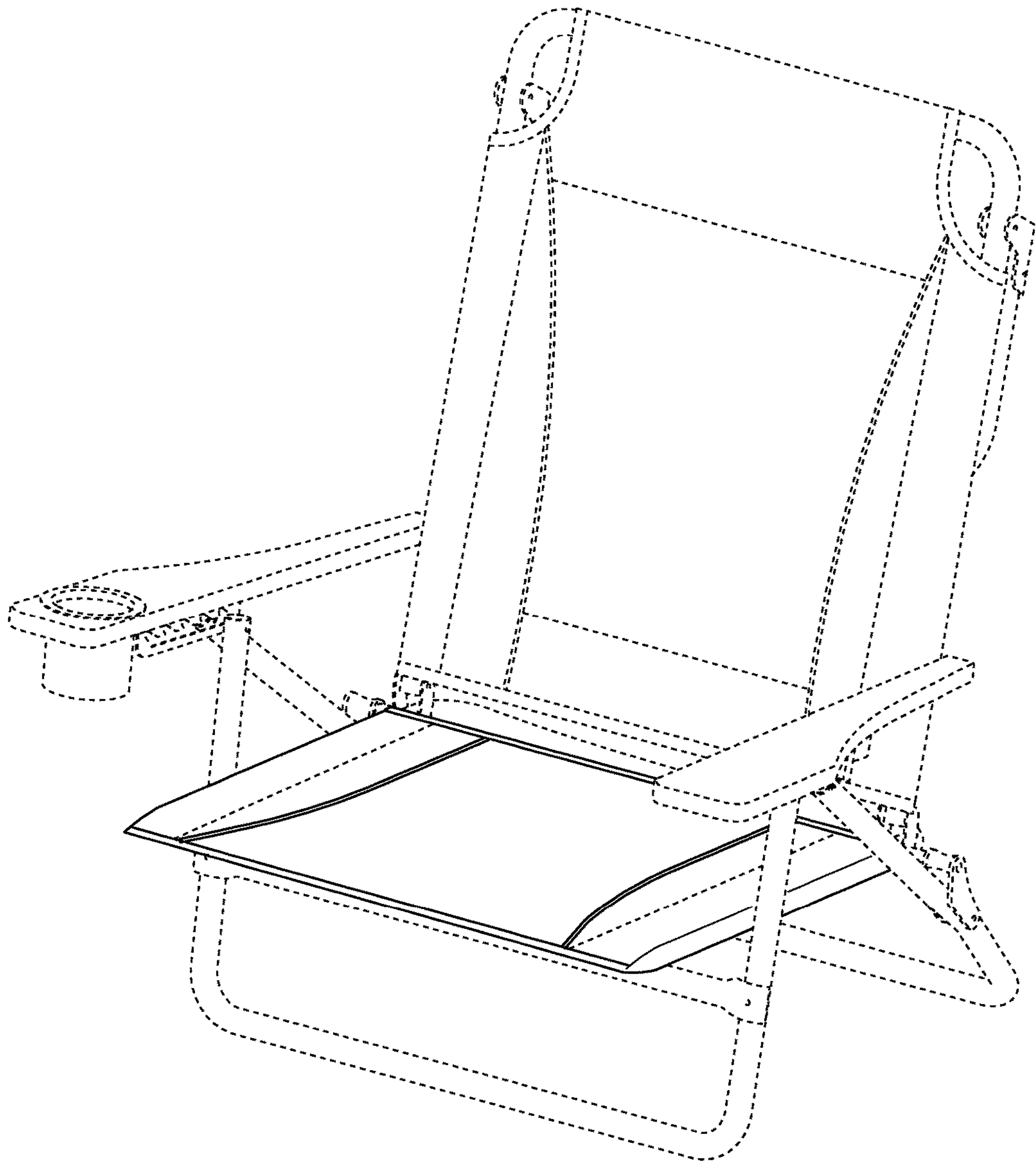


Fig. 1

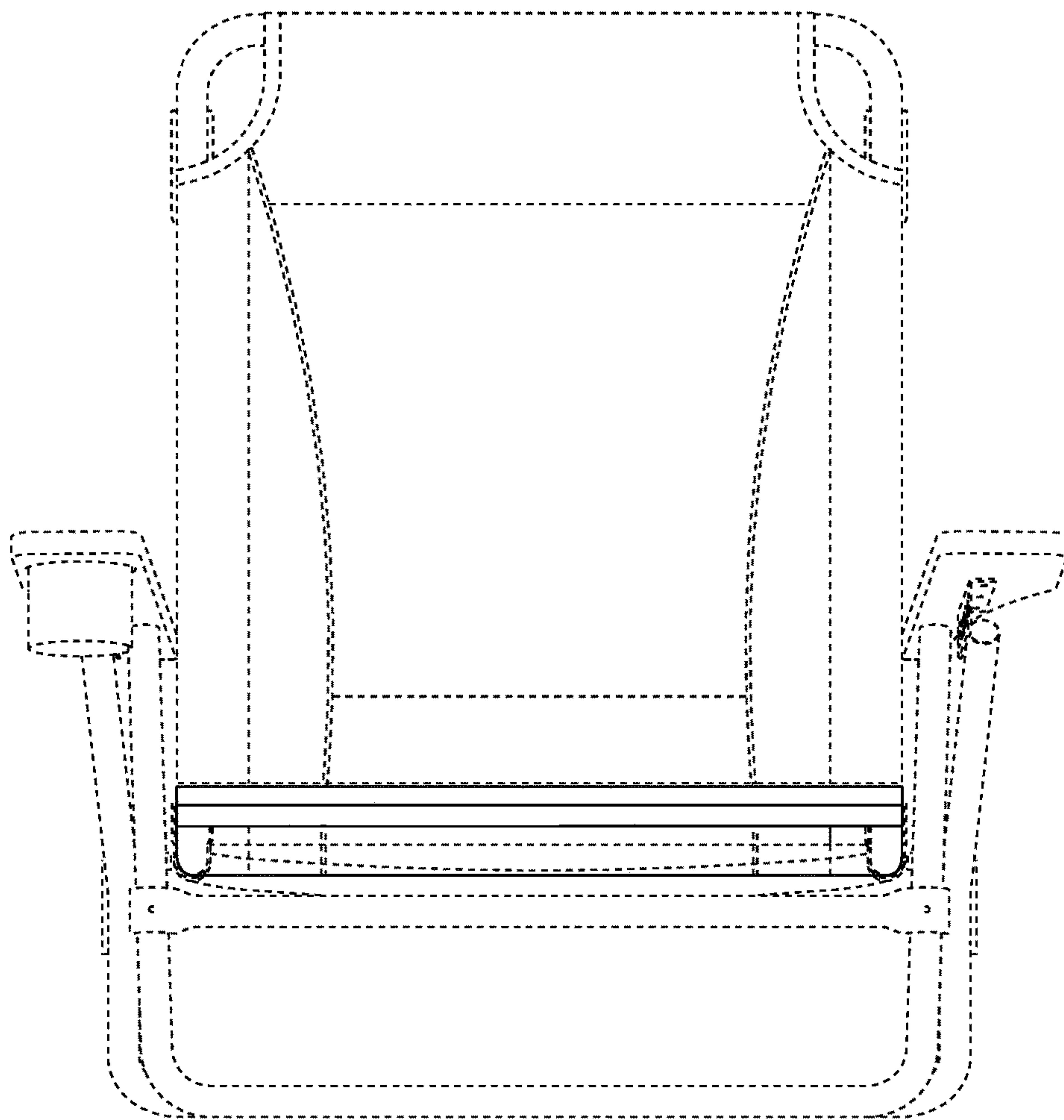


Fig. 2

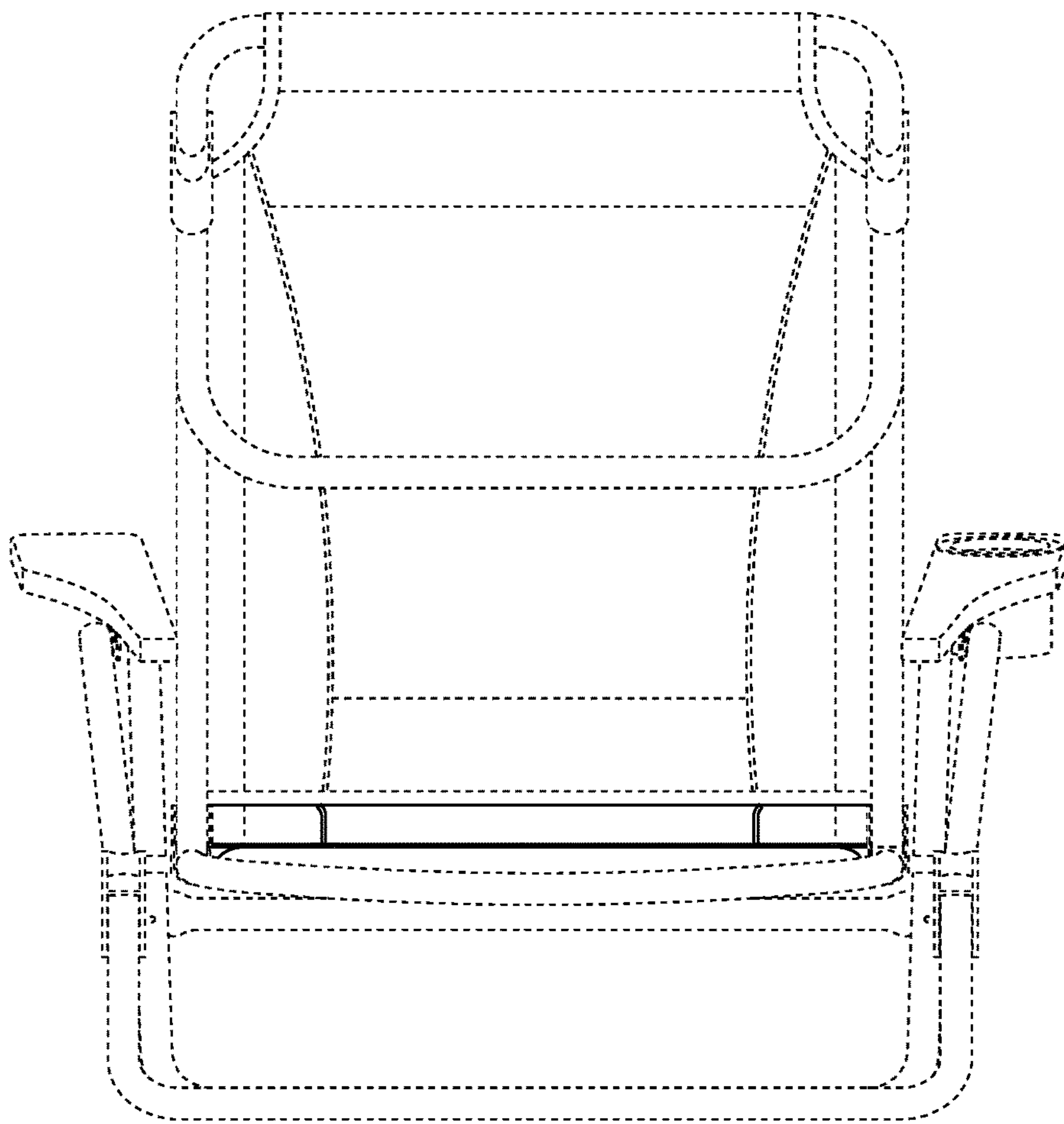


Fig. 3

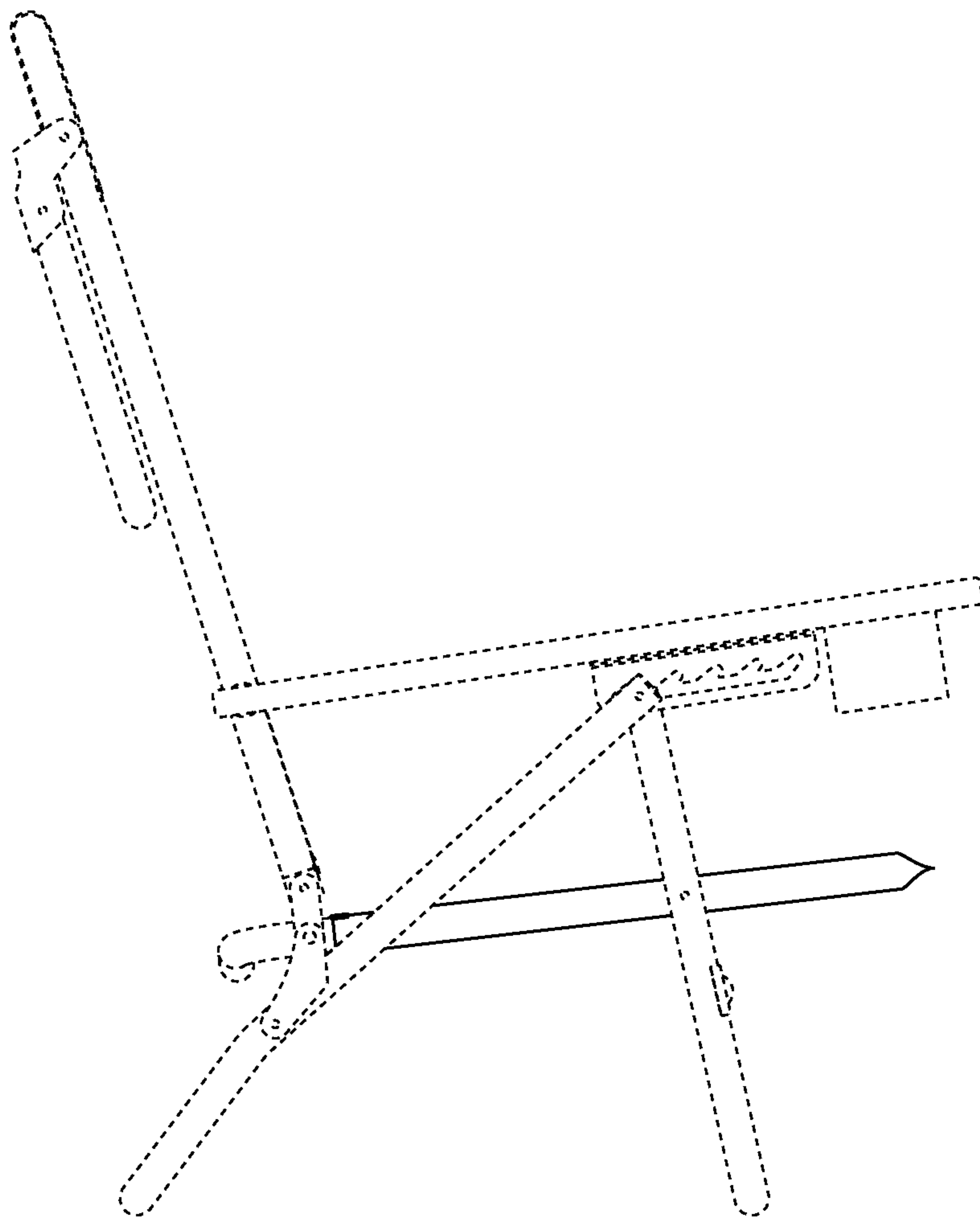


Fig. 4

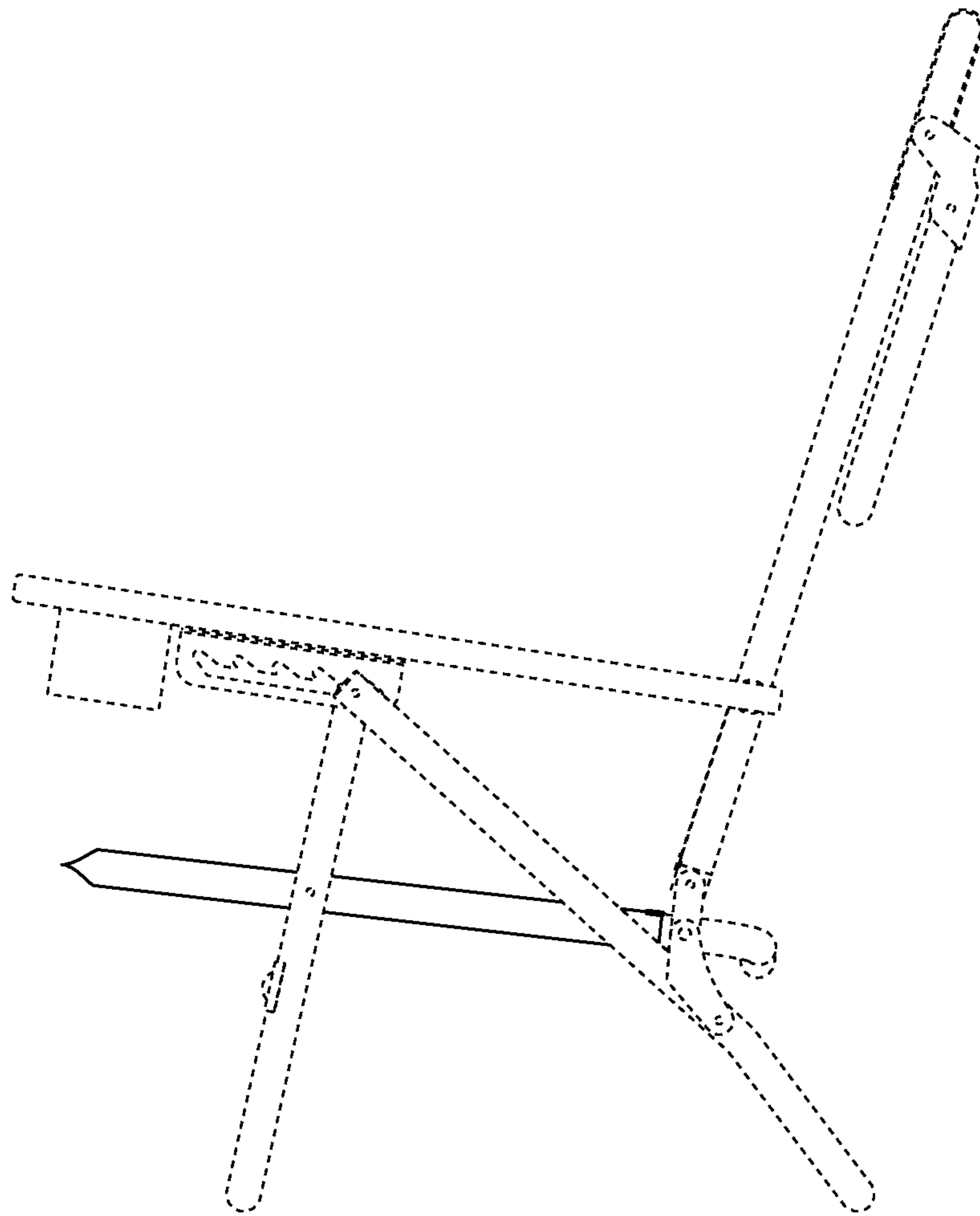


Fig. 5

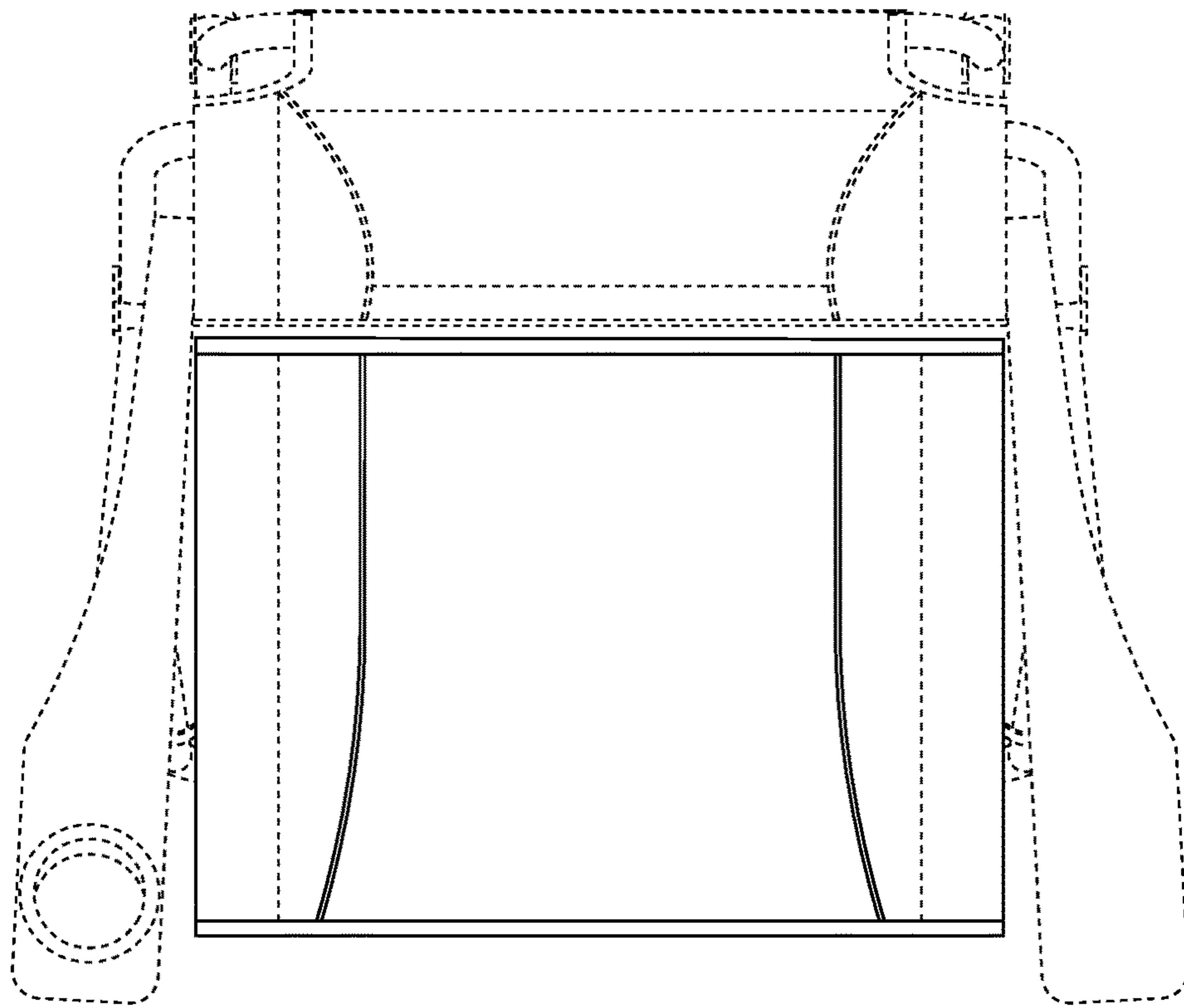


Fig. 6

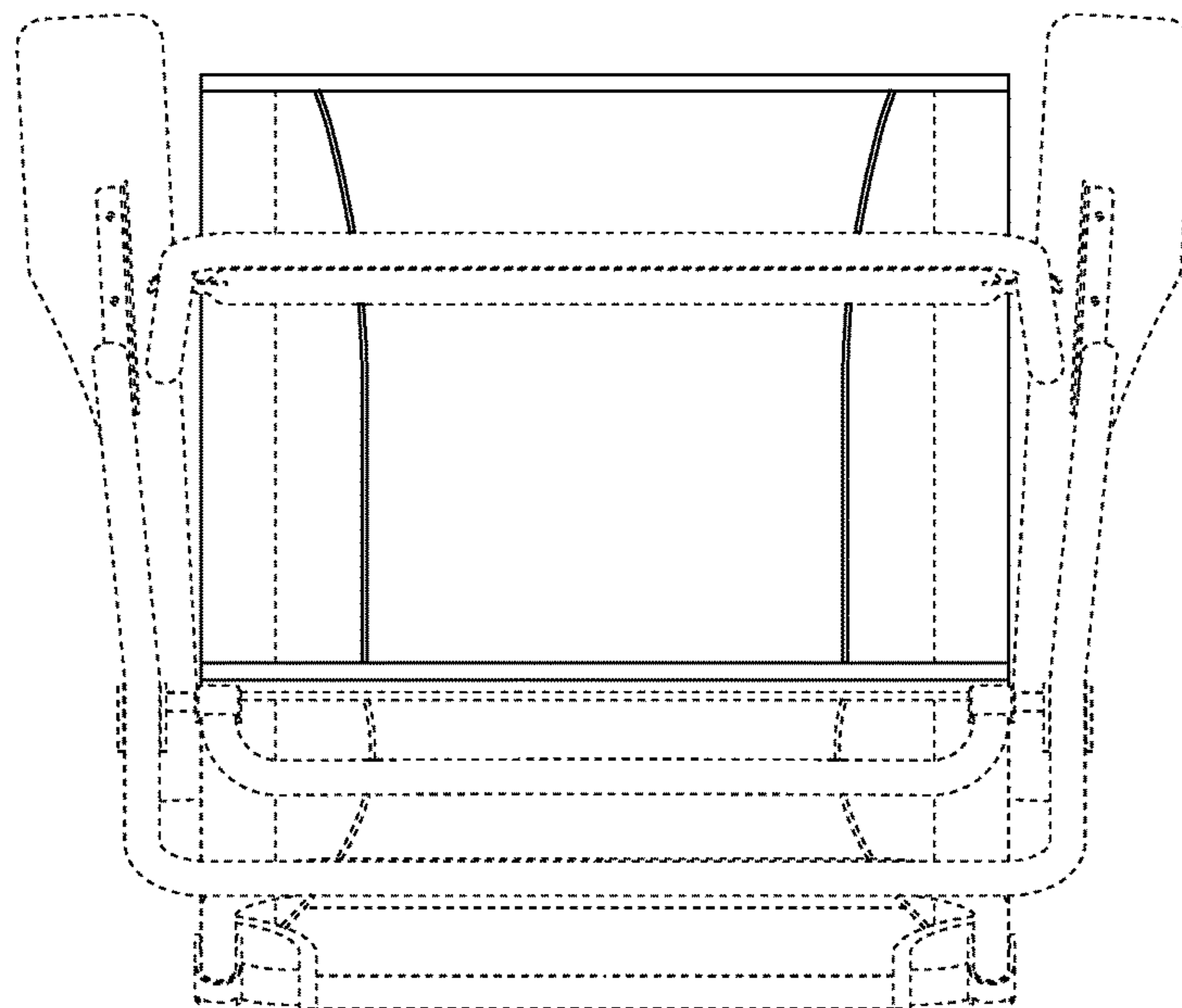


Fig. 7