



US00D804230S

(12) **United States Design Patent** (10) **Patent No.:** **US D804,230 S**
Allan et al. (45) **Date of Patent:** **** Dec. 5, 2017**

(54) **BENCH TOP GRIPPING DEVICE** 5,743,506 A * 4/1998 Adams A47B 91/00
248/346.11

(71) Applicants: **Christopher John Allan**, Mulgrave D426,495 S * 6/2000 Vaccaro D12/133
(AU); **Darren Neil Forbes**, Hampton D492,190 S * 6/2004 Howe D8/374
(AU) 6,783,421 B1 * 8/2004 Lopez A63H 23/10
446/153

(72) Inventors: **Christopher John Allan**, Mulgrave D517,401 S * 3/2006 Carnevali D8/374
(AU); **Darren Neil Forbes**, Hampton D553,414 S * 10/2007 Boutin 6/601
(AU) 7,347,758 B2 * 3/2008 Moore A63H 33/18
446/219

(73) Assignee: **CBD CONSOLIDATED LLC**, D658,973 S * 5/2012 Drake D8/349
Mendota Heights, MN (US) D660,136 S * 5/2012 Jarowenko D8/374
D681,357 S * 5/2013 Sjostrand D6/349
D743,708 S * 11/2015 Cohen D6/349
(Continued)

(**) Term: **15 Years**

(21) Appl. No.: **29/569,004**

(22) Filed: **Jun. 23, 2016**

(51) **LOC (10) Cl.** **06-06**

(52) **U.S. Cl.**
USPC **D6/716**

(58) **Field of Classification Search**
USPC D6/334, 349-355, 358, 360-368,
D6/371-374, 403, 405, 601, 604, 657,
D6/675.4, 685, 688.17, 690, 691-691.9,
D6/692-692.6, 693-693.3, 695, 707.2,
D6/708, 708.2, 708.15-708.25, 709.11,
D6/716-716.1; D25/62-65; D8/374
CPC A47C 9/02; A47C 9/007; A47C 9/027;
A47C 7/002; A47C 7/18; A47C 16/02;
A47C 16/04; A47C 3/18; A47C 3/203;
A47C 12/00; A47C 13/00; A47B 7/00;
A47B 7/02; A47B 9/00; A47B 13/02;
A47B 23/00; A47B 39/00
See application file for complete search history.

(56) **References Cited**
U.S. PATENT DOCUMENTS

D15,790 S * 2/1885 Hofmann D6/716.1
D167,963 S * 10/1952 Auer D8/374
D274,286 S * 6/1984 Budde D21/825
D371,958 S * 7/1996 Keaton D7/388

OTHER PUBLICATIONS

Magnets Twist Board. [online] Published on Sep. 7, 2016. Retrieved Sep. 6, 2017 from URL: https://www.amazon.com/niceEshop-Suitable-Rehabilitation-Training-Exercise/dp/B01D8JR03E/ref=pd_lpo_vtph_200_lp_img_2?_encoding=UTF8&psc=1&refRID=RAHDB1TKECY3DGH7YVM4.*

(Continued)

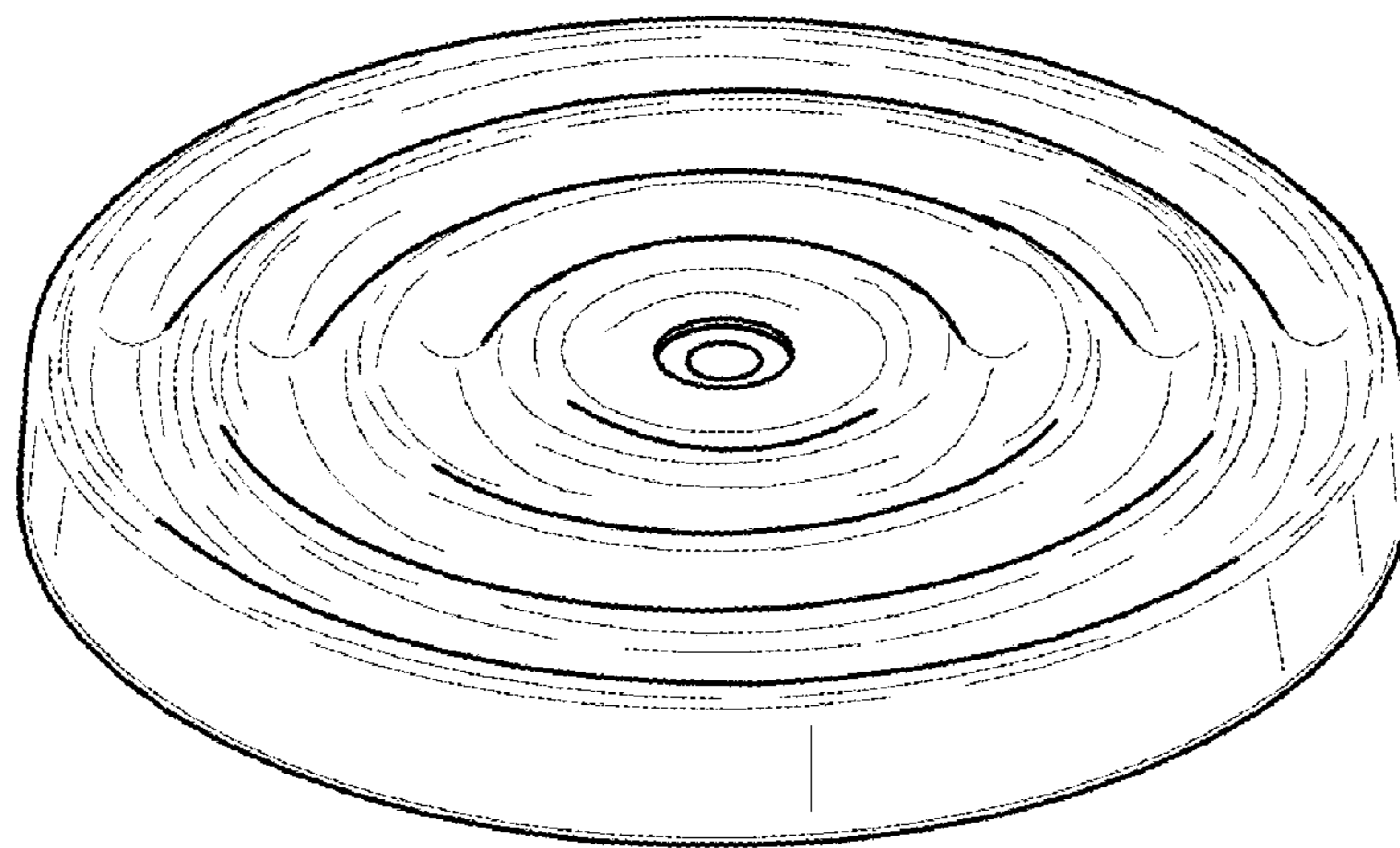
Primary Examiner — Vy N Koenig
(74) *Attorney, Agent, or Firm* — Galbreath Law Offices, P.C.; John A. Galbreath

(57) **CLAIM**
The ornamental design for a bench top gripping device, as shown and described.

DESCRIPTION

FIG. 1 is a top perspective view of a bench top gripping device showing our new design;
FIG. 2 is a bottom perspective view thereof;
FIG. 3 is a top plan view thereof;
FIG. 4 is a bottom plan view thereof;
FIG. 5 is a side elevational view thereof; and,
FIG. 6 is a side sectional view taken through the diameter thereof.

1 Claim, 2 Drawing Sheets



(56)

References Cited

U.S. PATENT DOCUMENTS

D746,622 S * 1/2016 O'Brien D21/823
D781,487 S * 3/2017 Starck D26/89
D789,723 S * 6/2017 Walser D6/716.1
D793,816 S * 8/2017 Alteslaben D7/586
2012/0139310 A1* 6/2012 Aldred A47C 3/18
297/311

OTHER PUBLICATIONS

Rotating Monitor Stand. [online] Retrieved Sep. 6, 2017 from URL:
http://www.displays2go.com/P-32542/Rotating-Monitor-Stand-150-lbs-Weight-Capacityutm_source=google.pla&utm_medium=cpc&utm_campaign=GooglePLA&gclid=EALalQobChMlodjqlOiQ1gIVBJ7ACh1eCAJTEAQYASABE-gLzn_D_BwE.*

* cited by examiner

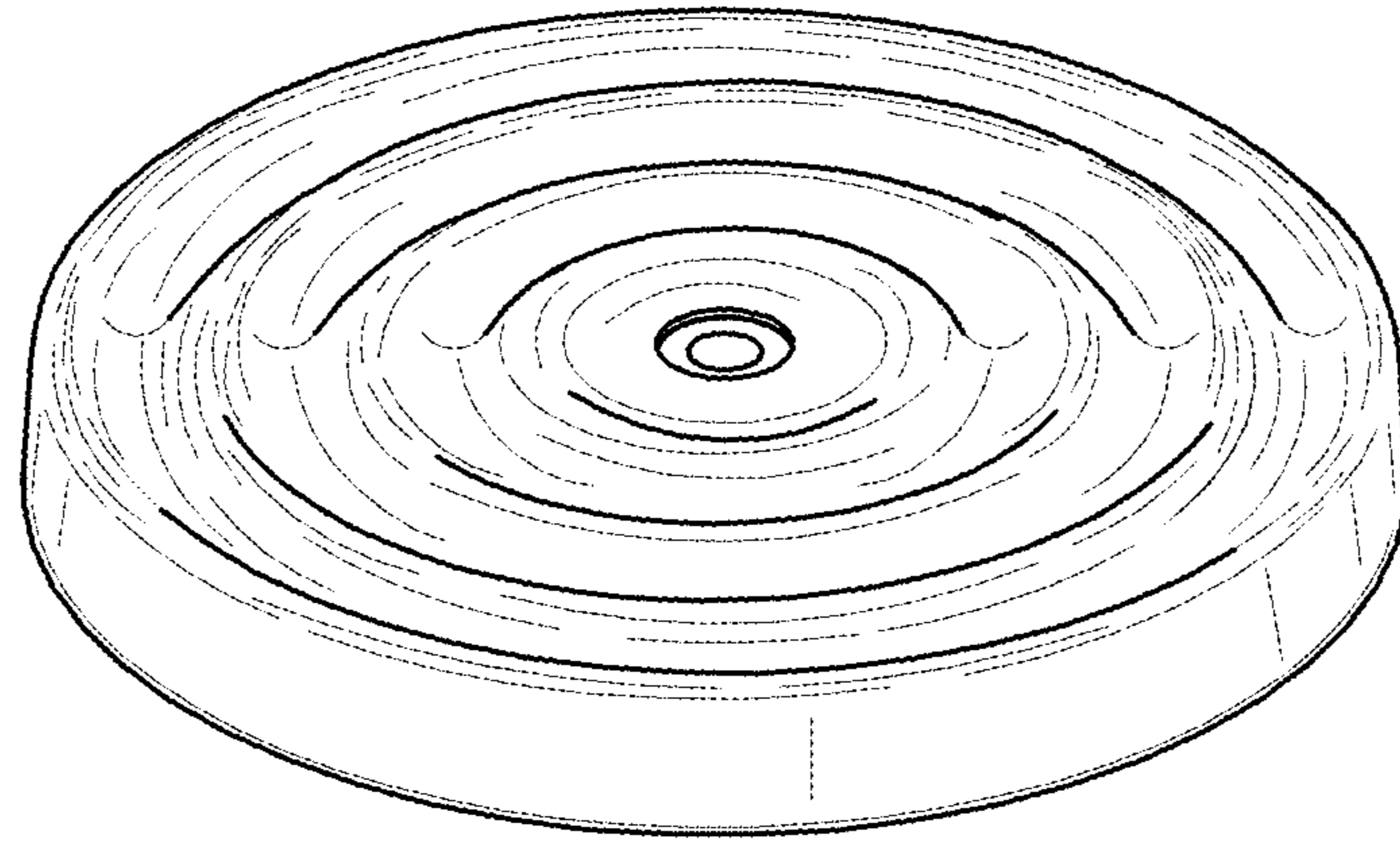


Fig. 1

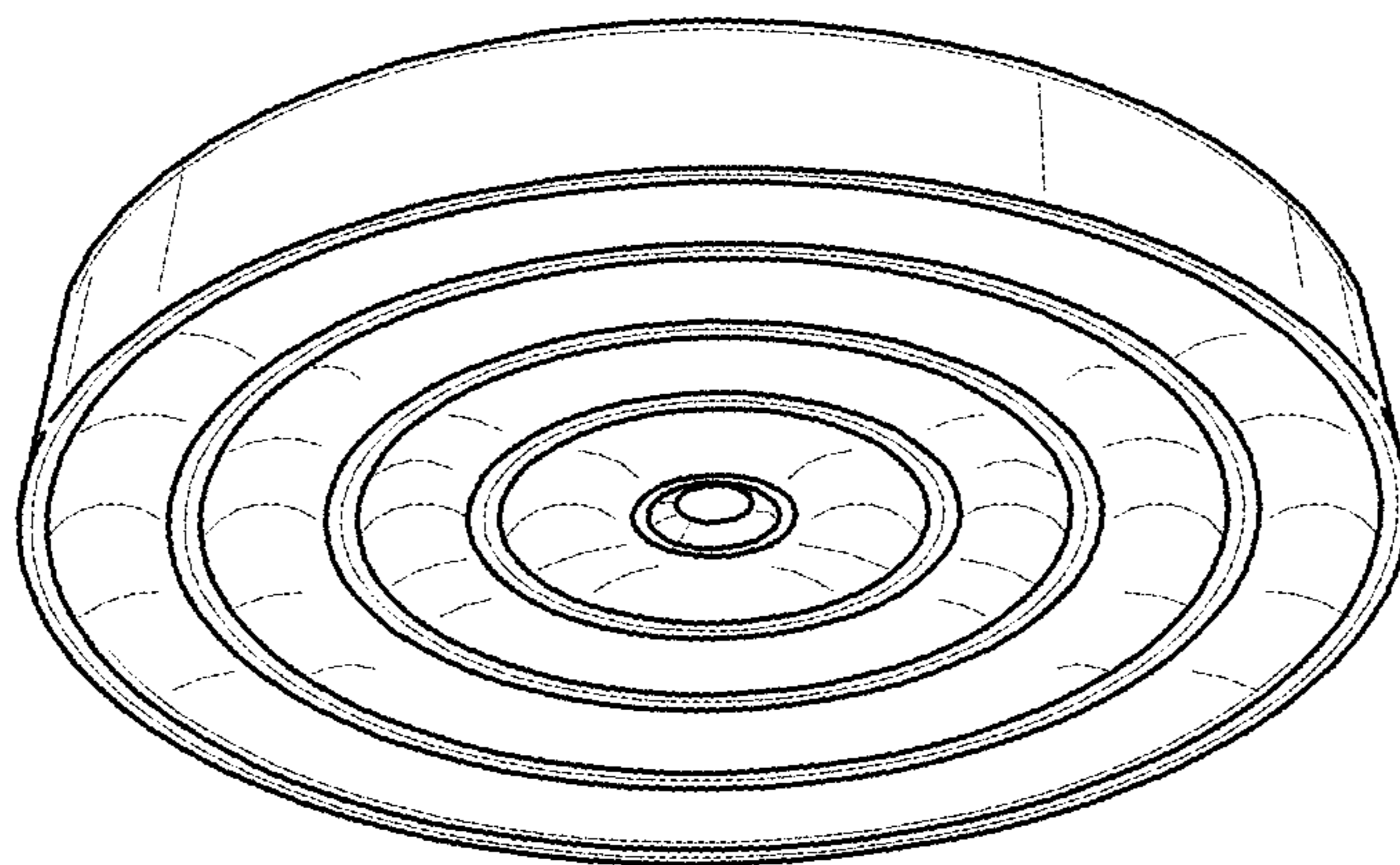


Fig. 2

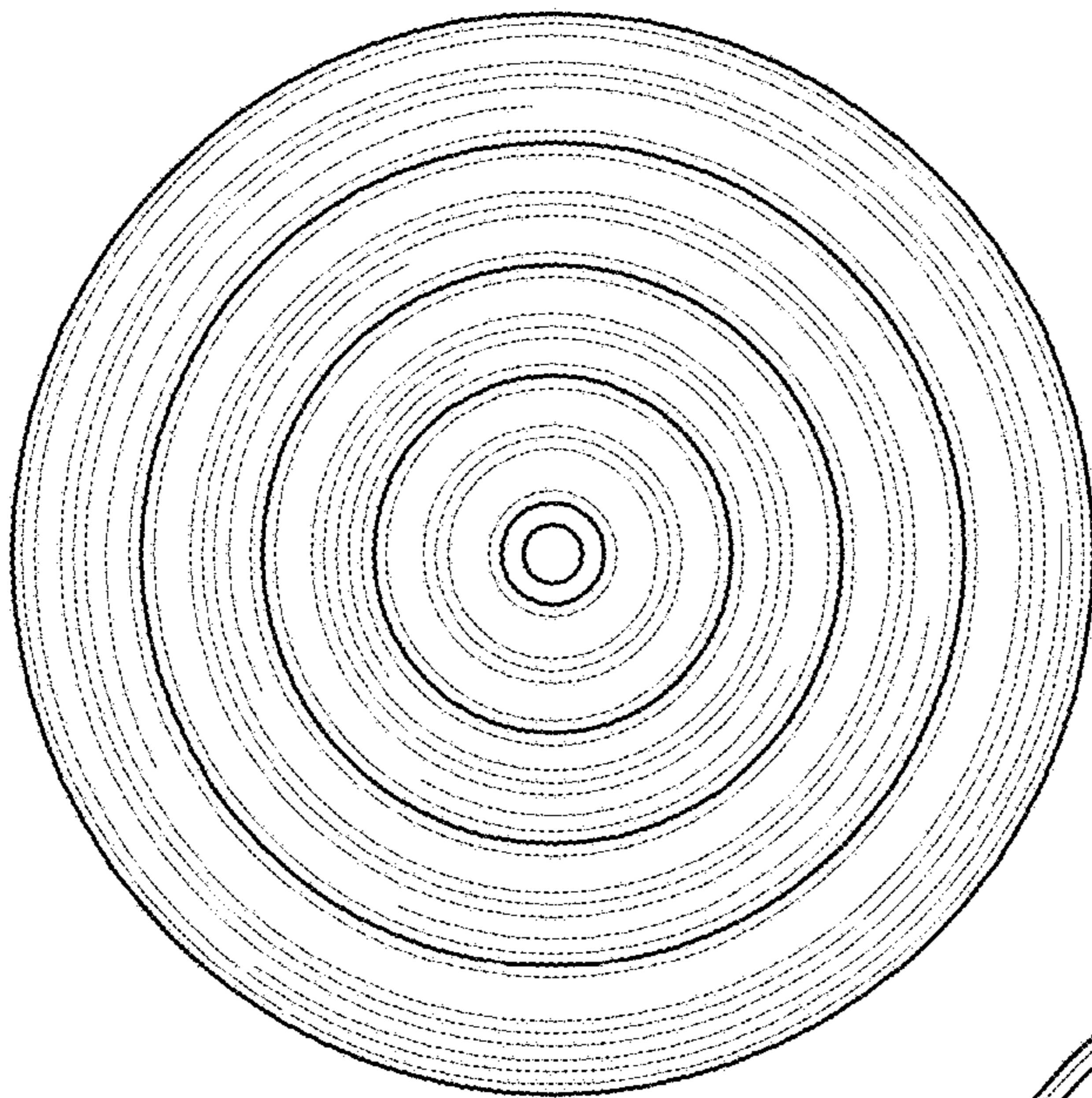


Fig. 3

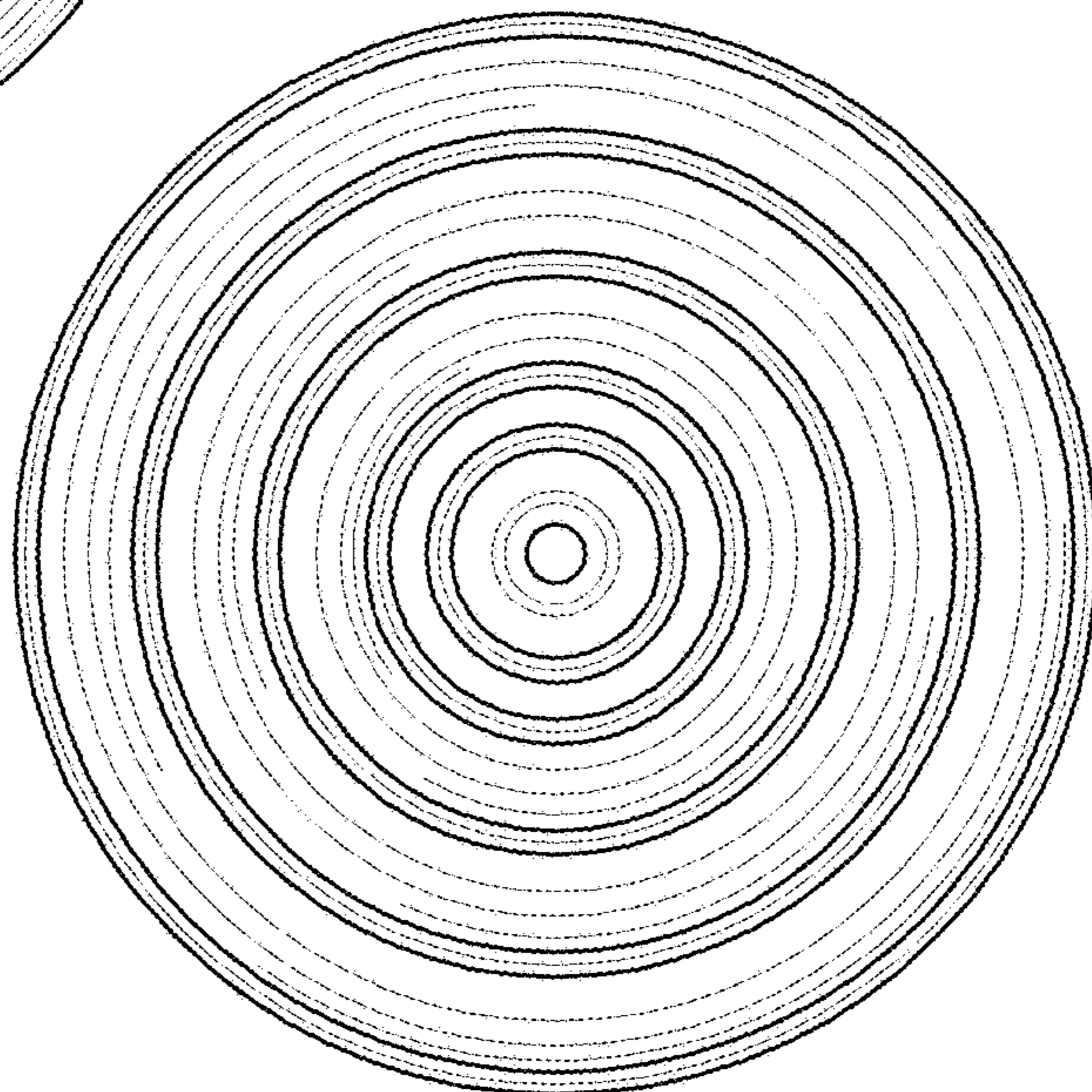


Fig. 4

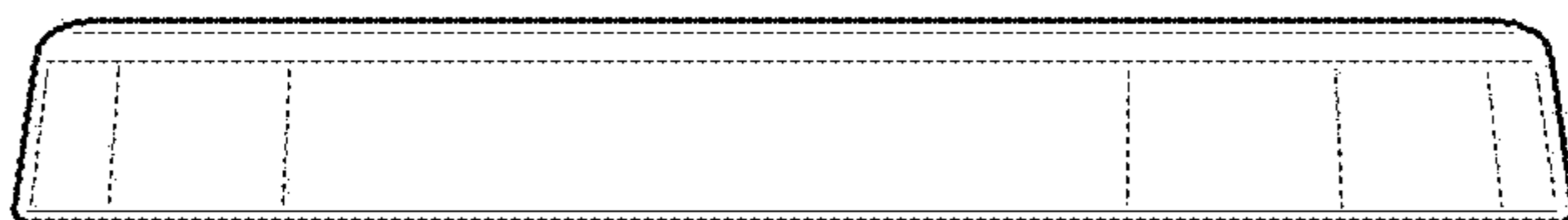


Fig. 5

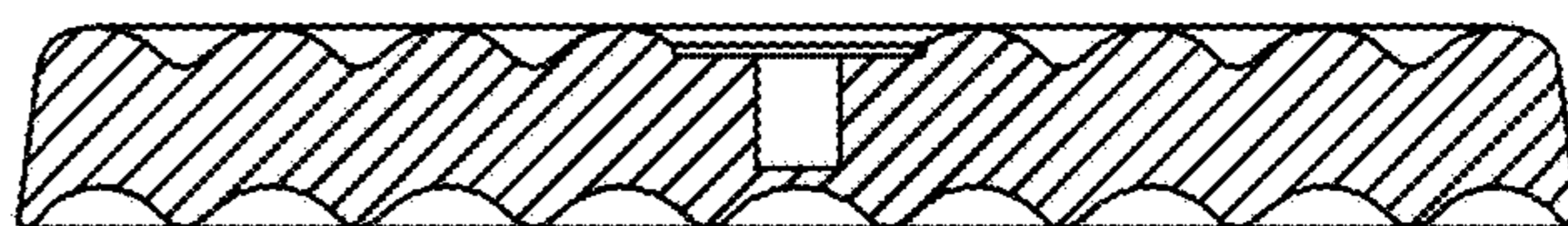


Fig. 6