



US00D804228S

(12) **United States Design Patent** (10) **Patent No.:** **US D804,228 S**
Scherer (45) **Date of Patent:** **** Dec. 5, 2017**

(54) **DISPLAY SHELF**

(71) Applicant: **Benjamin John Scherer**, Ramsey, MN (US)

(72) Inventor: **Benjamin John Scherer**, Ramsey, MN (US)

(**) Term: **15 Years**

(21) Appl. No.: **29/540,776**

(22) Filed: **Sep. 28, 2015**

(51) **LOC (10) Cl.** **06-04**

(52) **U.S. Cl.**
USPC **D6/705**

(58) **Field of Classification Search**

USPC ... D6/513, 574, 672, 675, 675.1-675.4, 705, D6/705.1, 705.5, 705.7, 706, 707, 707.19; D7/571-572, 576-577, 600, 600.1-600.4; D13/179; 108/50.11, 61, 132; D14/457; D25/119; D26/51; 211/119.003; 312/350, 258; 248/95; D21/369
CPC A47B 73/00; A47B 73/002; A47B 73/004; A47B 47/00; A47B 47/0058; A47B 47/008; A47B 47/25; A47F 5/00; A47F 5/0056; A47F 5/0062; B65D 21/0211
See application file for complete search history.

(56) **References Cited**

U.S. PATENT DOCUMENTS

D273,070 S * 3/1984 Welsch D6/707.19
D291,708 S * 9/1987 Ollington D21/369
D331,045 S * 11/1992 Moerke D14/457
D376,737 S * 12/1996 Hecker 248/95
D427,573 S * 7/2000 Wiggins D14/457

D503,302 S * 3/2005 Farber D6/707
D519,121 S * 4/2006 Zamanian D14/447
D603,634 S * 11/2009 Rotolo D6/513
D616,669 S * 6/2010 McMahon-Miller D6/675
D684,399 S * 6/2013 Gasser D6/705.5
D696,541 S * 12/2013 Puksta D6/706
D705,586 S * 5/2014 Denby D6/705.7
D724,876 S * 3/2015 Gokhale D6/705
D734,081 S * 7/2015 Johnson D6/707.19
D764,834 S * 8/2016 Citterio D6/574
D767,926 S * 10/2016 Denby D6/705
2002/0092446 A1 * 7/2002 Stanford A47B 3/091
108/132
2009/0001037 A1 * 1/2009 Wilcock A47B 97/00
211/119.003
2011/0017104 A1 * 1/2011 DiTrollo A47G 11/006
108/50.11

* cited by examiner

Primary Examiner — Ian Simmons

Assistant Examiner — Keith Wilson

(74) *Attorney, Agent, or Firm* — Dave Alan Lingbeck

(57) **CLAIM**

The ornamental design for a display shelf, as shown and described.

DESCRIPTION

FIG. 1 is a top perspective view of a display shelf showing our new design.

FIG. 2 is a top plan view of the display shelf.

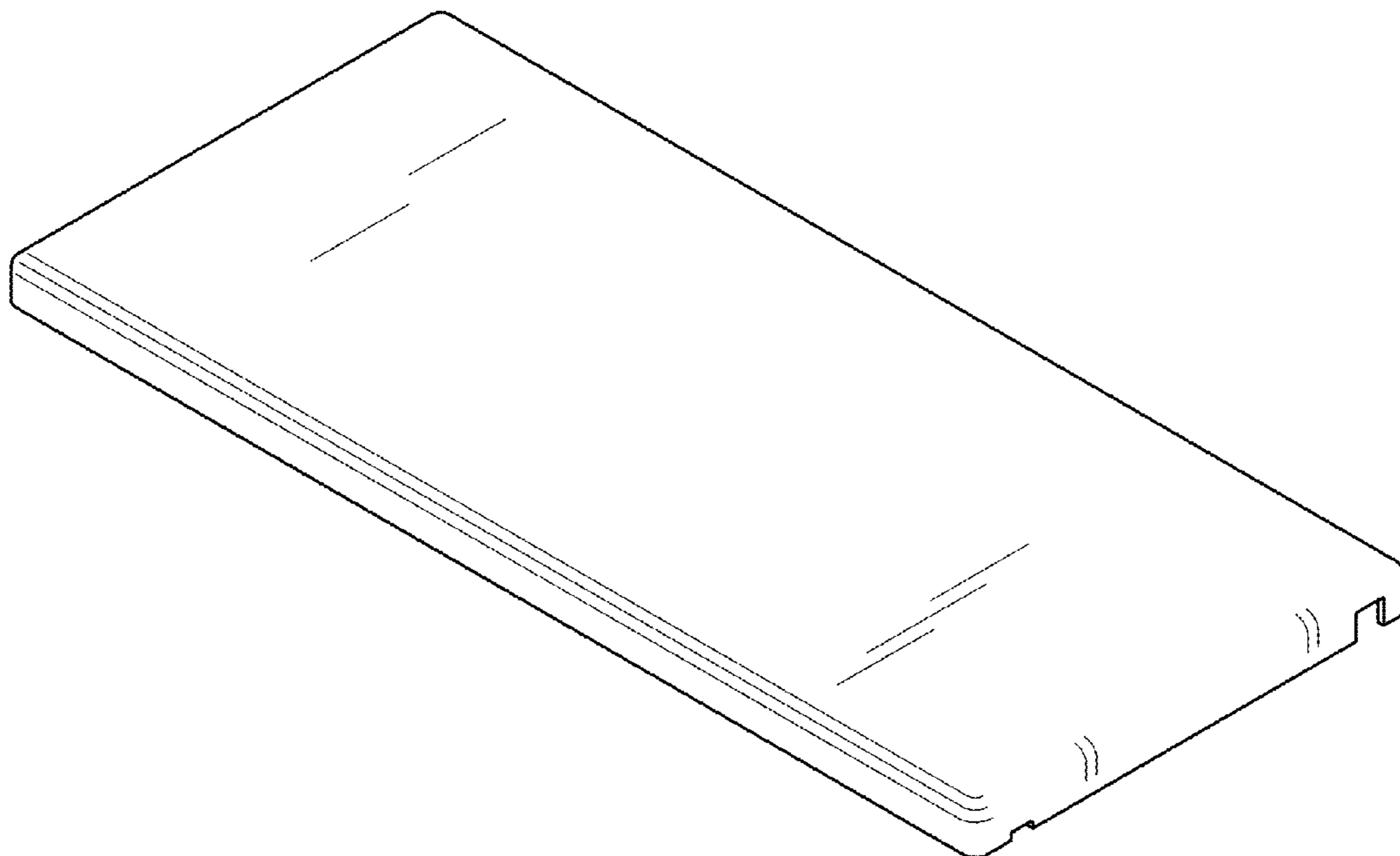
FIG. 3 is a first side elevation view of the display shelf.

FIG. 4 is a second side elevation view of the display shelf.

FIG. 5 is a front elevation view of the display shelf, the back elevation view being identical thereto; and,

FIG. 6 is a bottom perspective view of the display shelf.

1 Claim, 5 Drawing Sheets



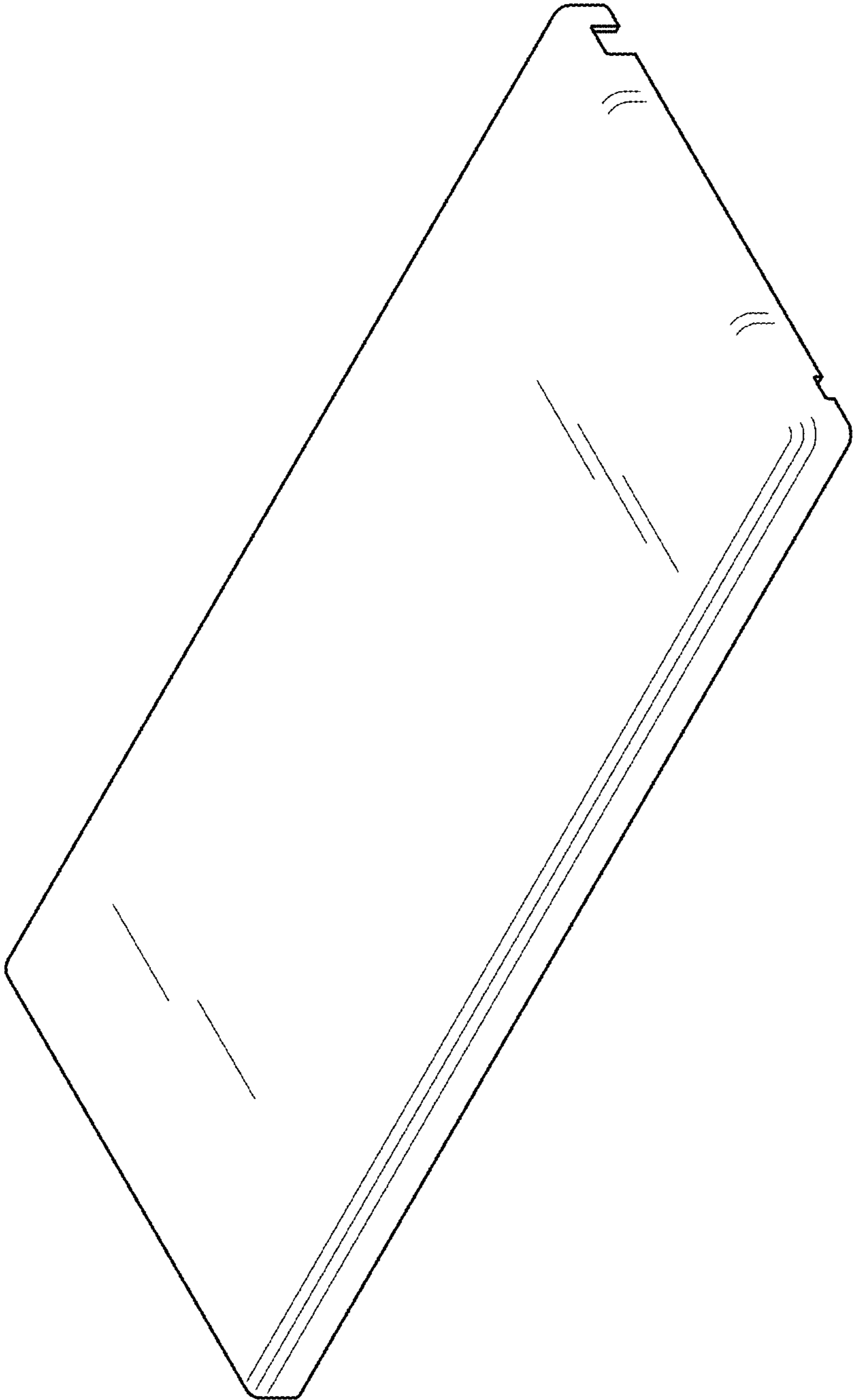


FIG. 1

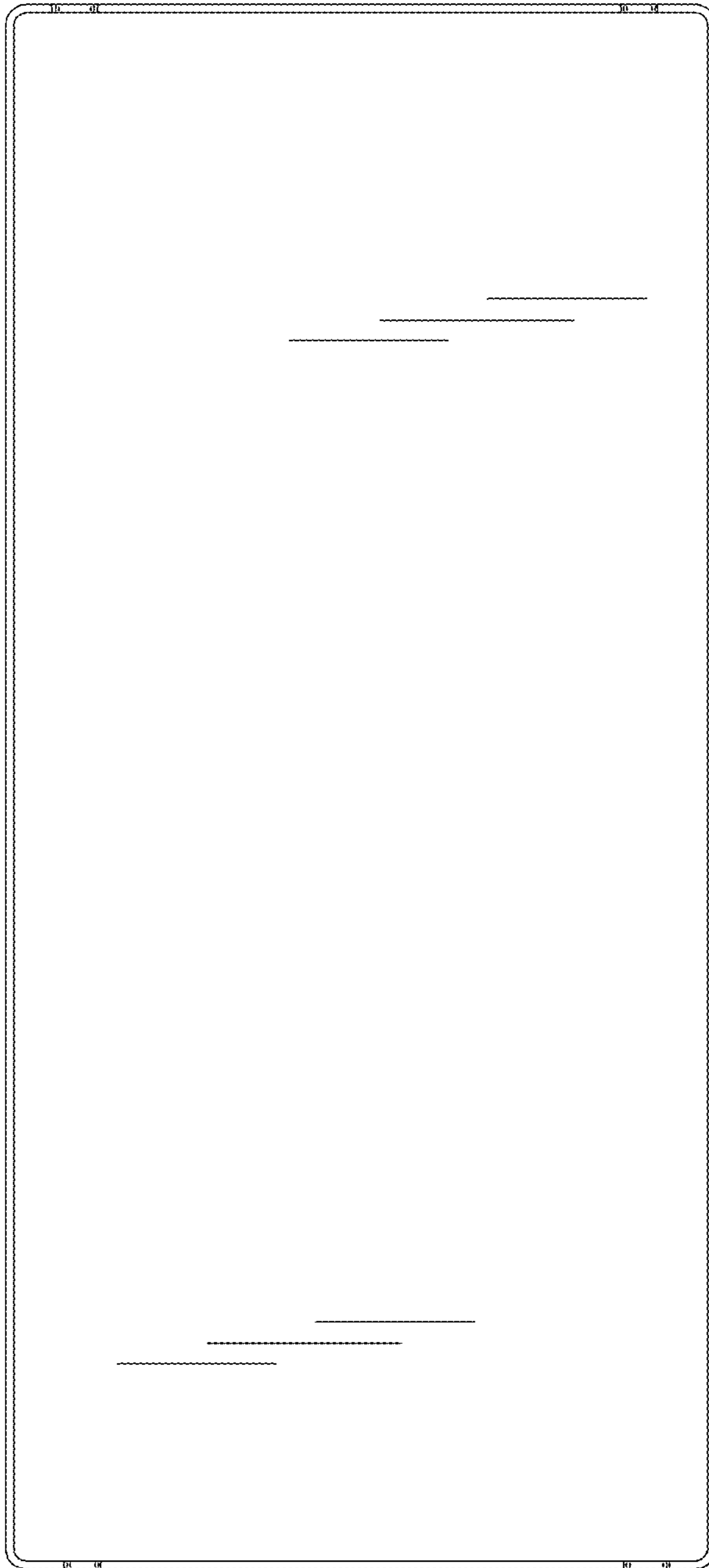


FIG. 2



FIG. 3

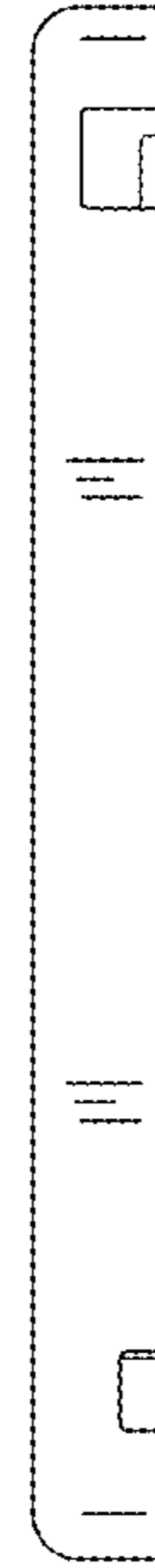


FIG. 4

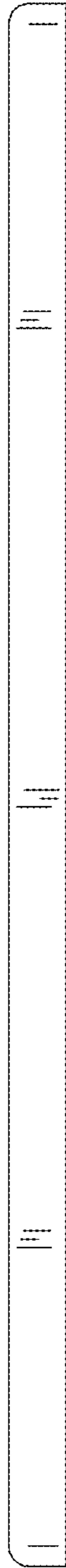


FIG. 5

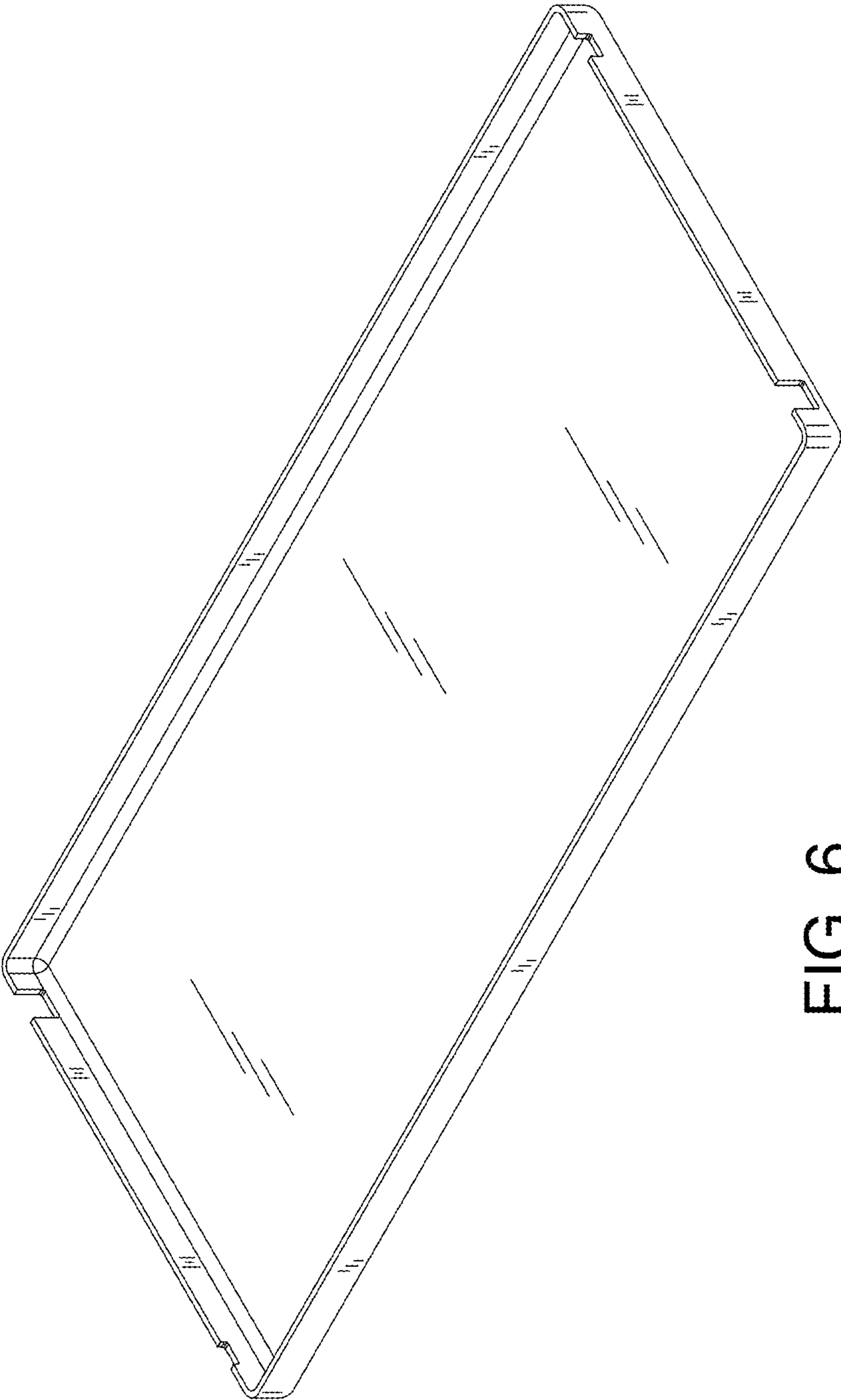


FIG. 6