



US00D804225S

(12) **United States Design Patent** (10) **Patent No.:** **US D804,225 S**
Bian (45) **Date of Patent:** **** Dec. 5, 2017**

(54) **CAN RACK** 6,834,768 B2 * 12/2004 Jersey A47B 45/00
211/175
(71) Applicant: **Dongguan Baike Electronics Co.,** 6,837,387 B2 * 1/2005 De La Fuente A47F 5/14
Ltd., Dongguan (CN) 211/181.1
(72) Inventor: **Guang Bian, Dongguan (CN)** D524,573 S * 7/2006 Robinson D6/675.4
D544,250 S * 6/2007 Daugherty D6/678.3
D544,251 S * 6/2007 Daugherty D6/678.3
D579,691 S * 11/2008 Snider D6/675.2
D580,193 S * 11/2008 Sparkowski D6/678.4
D699,986 S * 2/2014 Tsai D6/675.4
D758,487 S * 6/2016 Tsai D19/90
D762,402 S * 8/2016 Hsu D6/675.5
D769,073 S * 10/2016 Lipper McCauley D7/600.4
D787,241 S * 5/2017 Arzaluz D6/675.2
(**) Term: **15 Years** 2002/0008074 A1 * 1/2002 Spencer A47F 7/148
211/49.1

(21) Appl. No.: **29/584,915**
(22) Filed: **Nov. 18, 2016**
(51) **LOC (10) Cl.** **06-06**
(52) **U.S. Cl.**
USPC **D6/675.5**

(58) **Field of Classification Search**
USPC D6/672, 675, 675.1, 675.2, 675.3, 675.4,
D6/675.5; D7/600.1, 600.4, 601, 602,
D7/701
CPC A47F 1/00; A47F 1/04; A47F 1/12; A47F
1/121; A47F 55/00; A47F 55/02; A47F
47/02; A47F 47/021
See application file for complete search history.

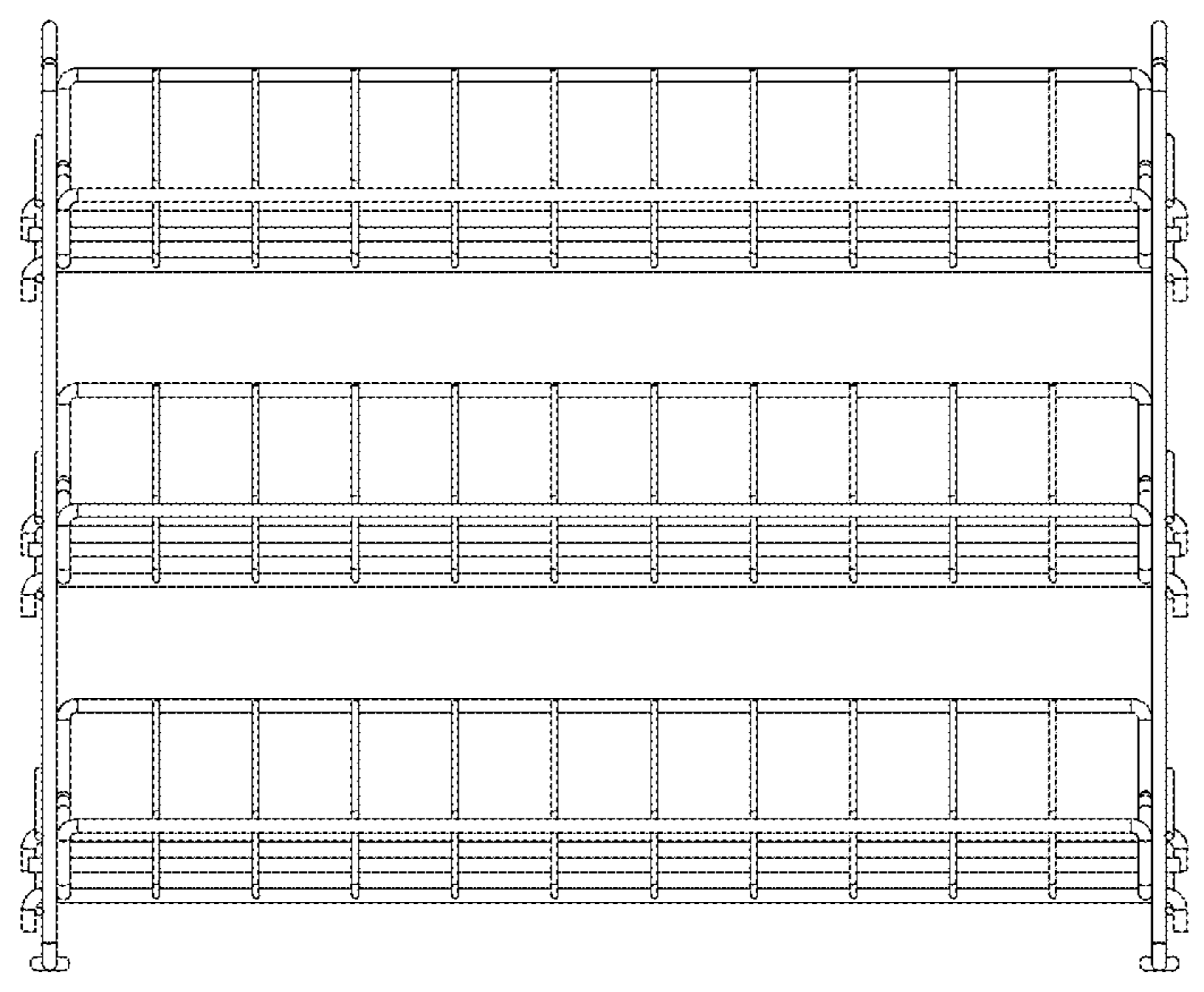
* cited by examiner
Primary Examiner — Kelley Donnelly
(74) *Attorney, Agent, or Firm* — Bei & Ocean; George G. Wang

(57) **CLAIM**
The ornamental design for a can rack, as shown and described.

(56) **References Cited**
U.S. PATENT DOCUMENTS
D162,397 S * 3/1951 Fink 211/55
2,648,442 A * 8/1953 Lowmaster A47F 5/01
108/1
D181,322 S * 10/1957 Streich D6/675.5
D185,660 S * 7/1959 Crookes D6/515
3,915,097 A * 10/1975 Young, Jr. A47F 5/12
108/163
D288,640 S * 3/1987 Campbell D6/675.2
4,978,013 A * 12/1990 Hogg A47F 5/13
211/132.1
D317,094 S * 5/1991 Weinberg D6/675.2
D321,609 S * 11/1991 Dardashti D6/675.2
D446,968 S * 8/2001 Spencer A47F 7/148
D6/678.4

DESCRIPTION
FIG. 1 is a front elevational view of a can rack showing my new design;
FIG. 2 is a rear elevational view of FIG. 1;
FIG. 3 is a left side elevational view of FIG. 1;
FIG. 4 is a right side elevational view of FIG. 1;
FIG. 5 is a top plan view of FIG. 1;
FIG. 6 is a bottom plan view of FIG. 1;
FIG. 7 is a perspective view of FIG. 1;
FIG. 8 is a changing status view of FIG. 7; and,
FIG. 9 is another changing status view of FIG. 7.

1 Claim, 9 Drawing Sheets



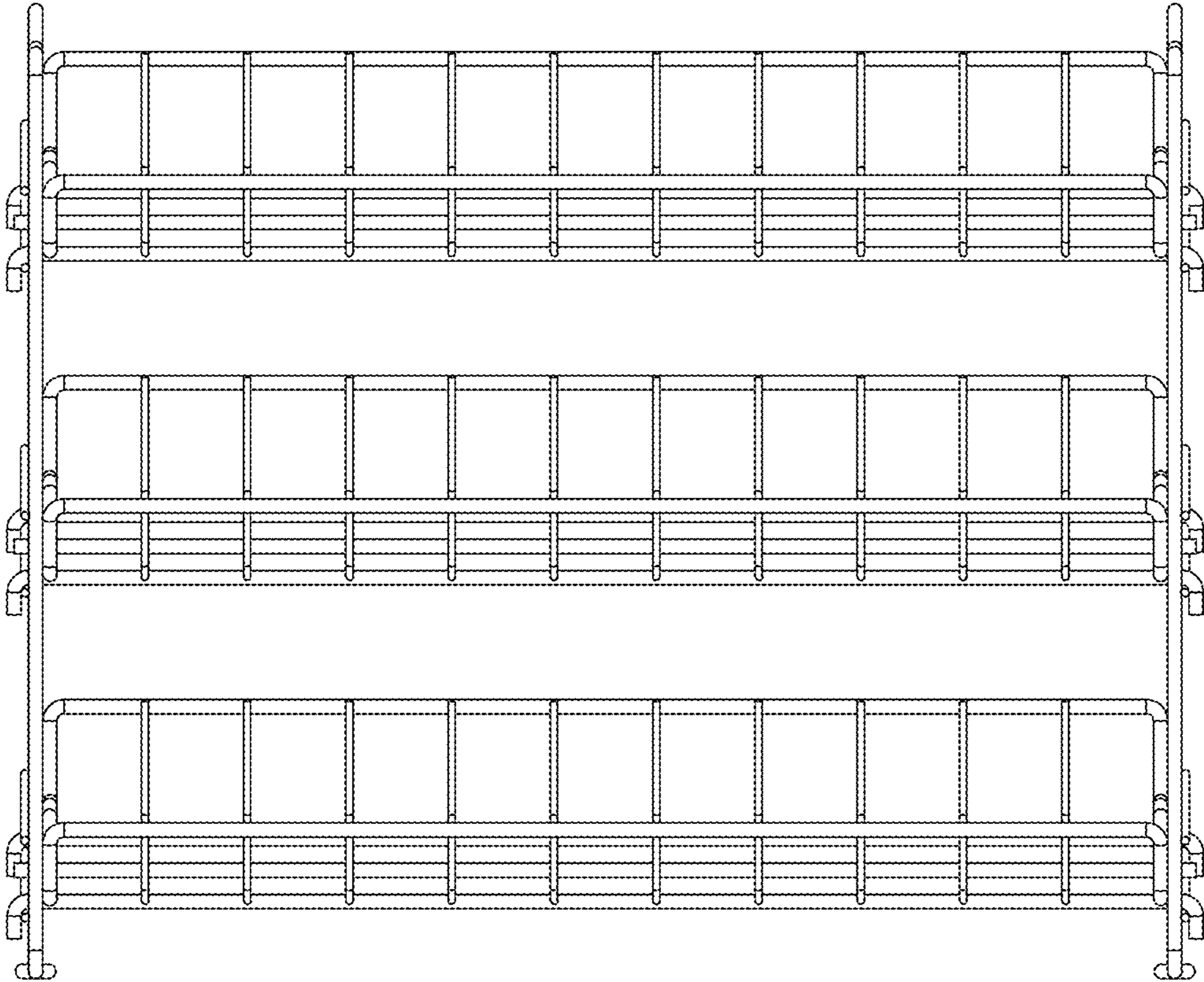


FIG.1

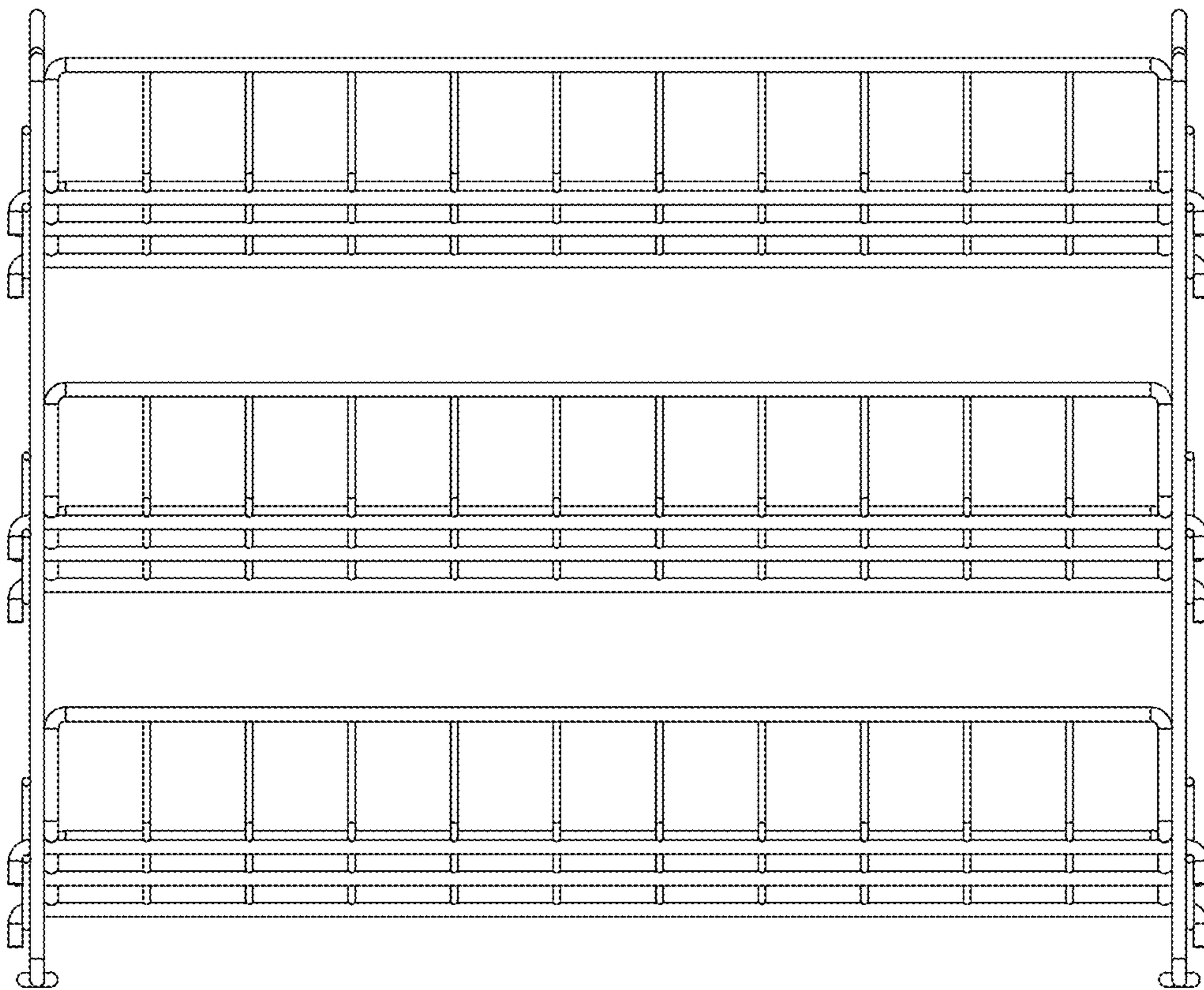


FIG.2

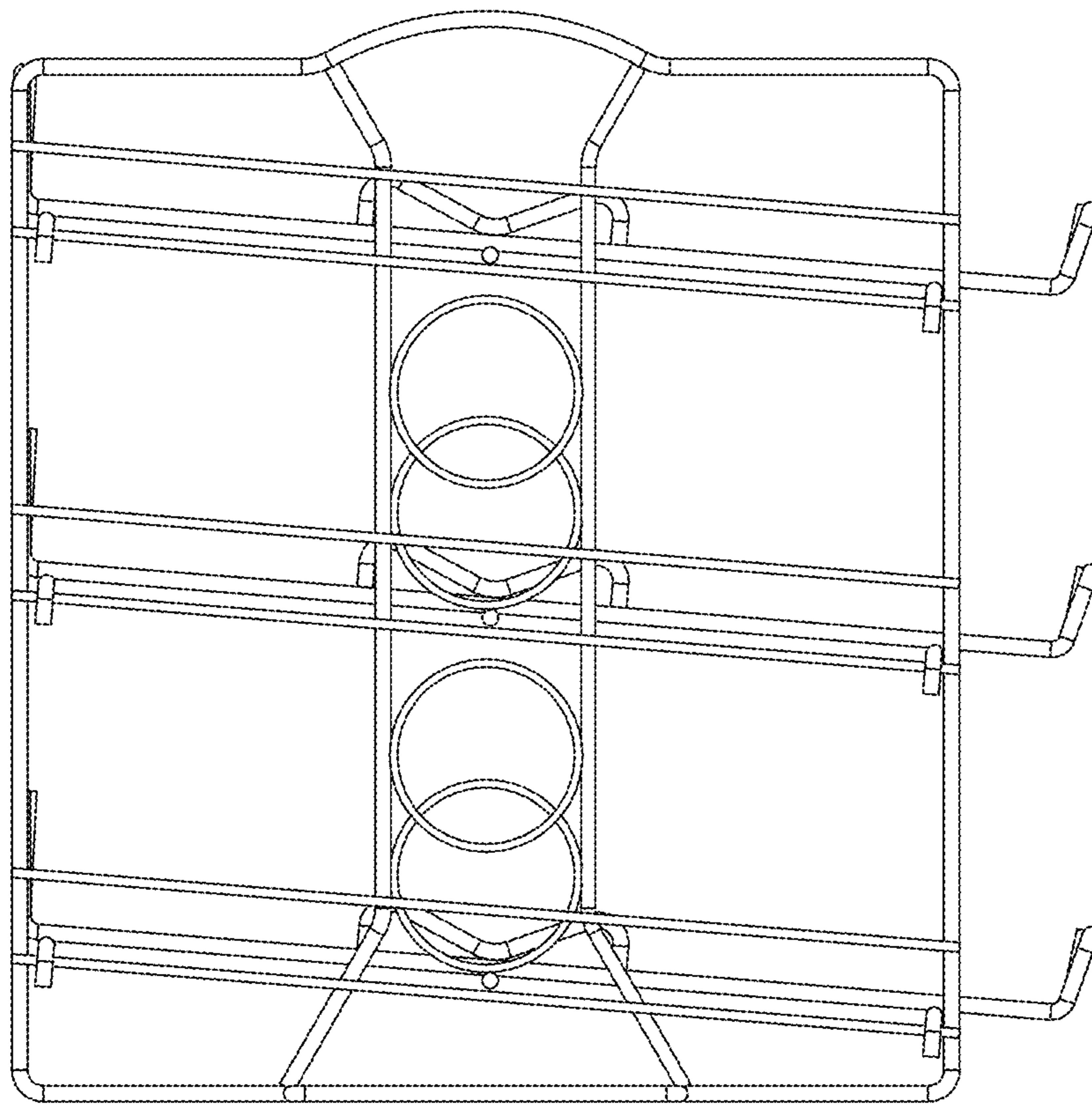


FIG.3

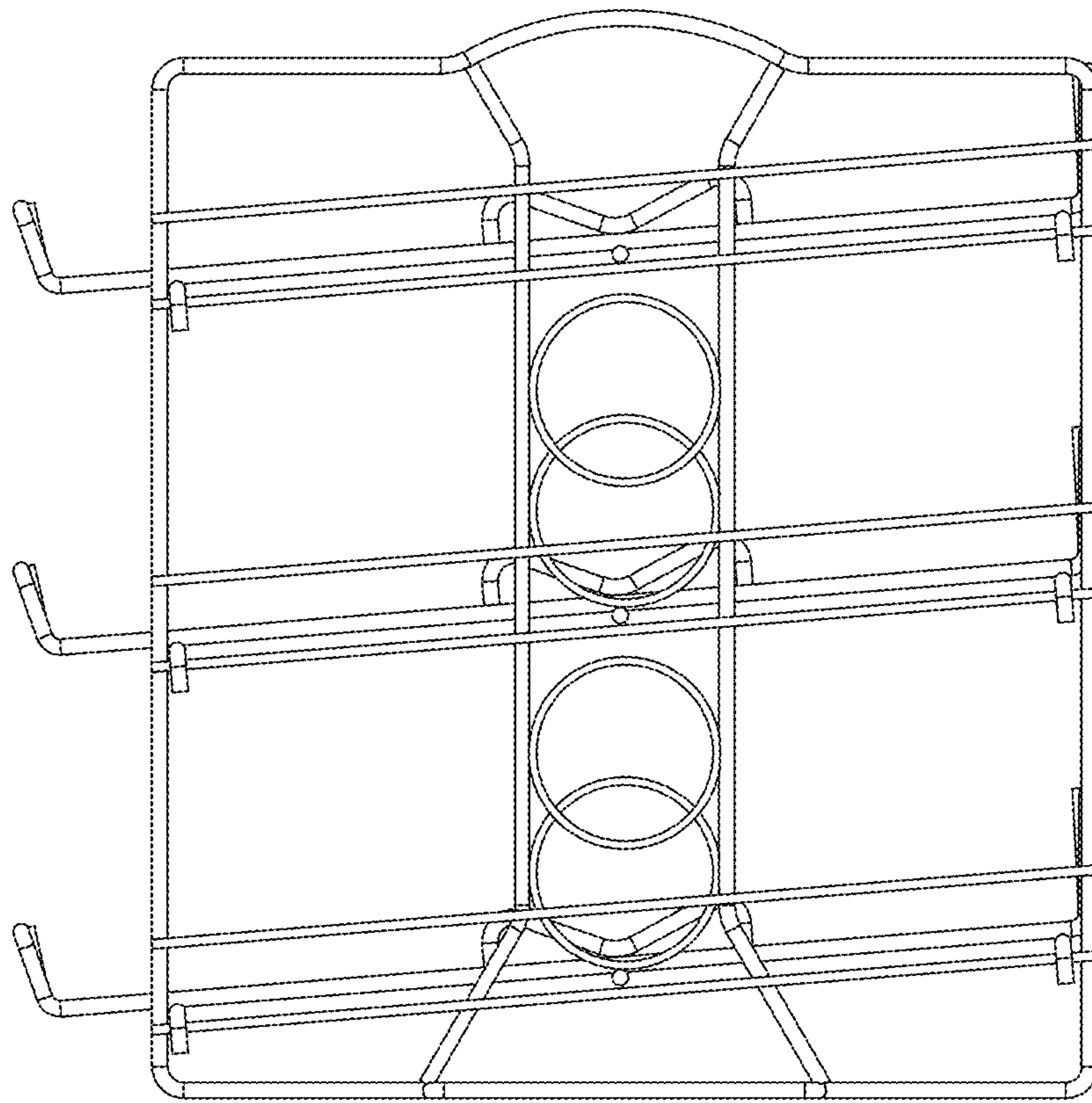


FIG.4

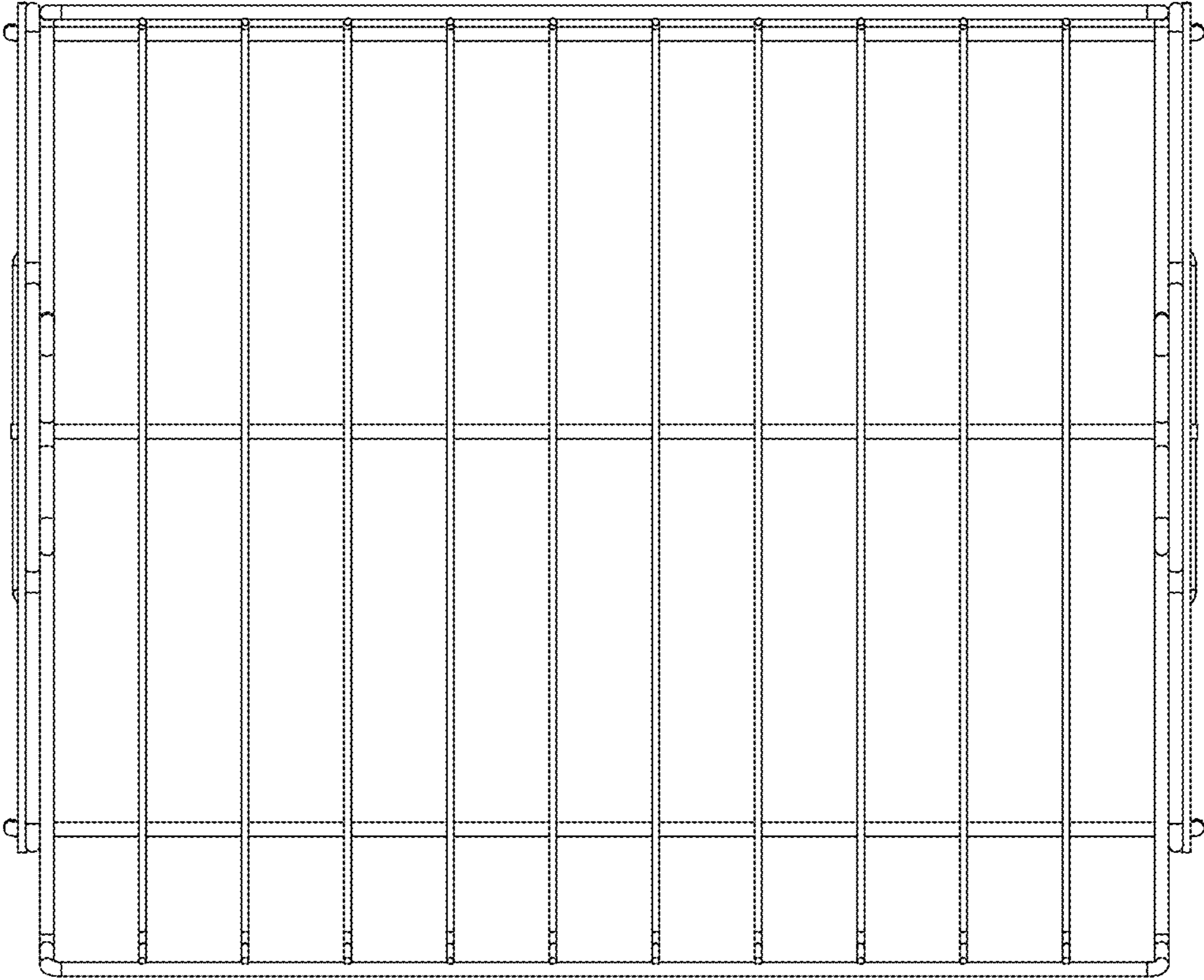


FIG.5

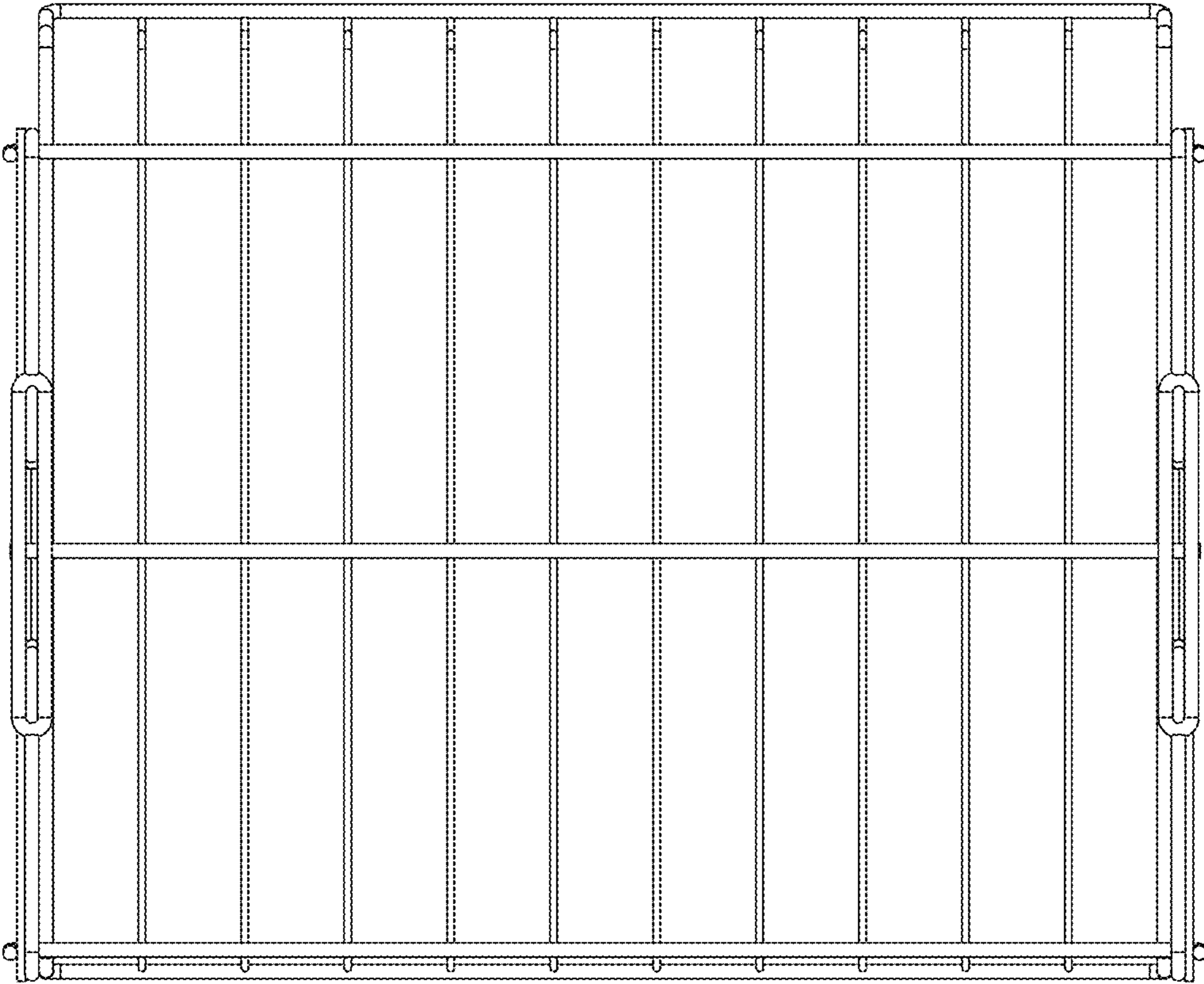


FIG.6

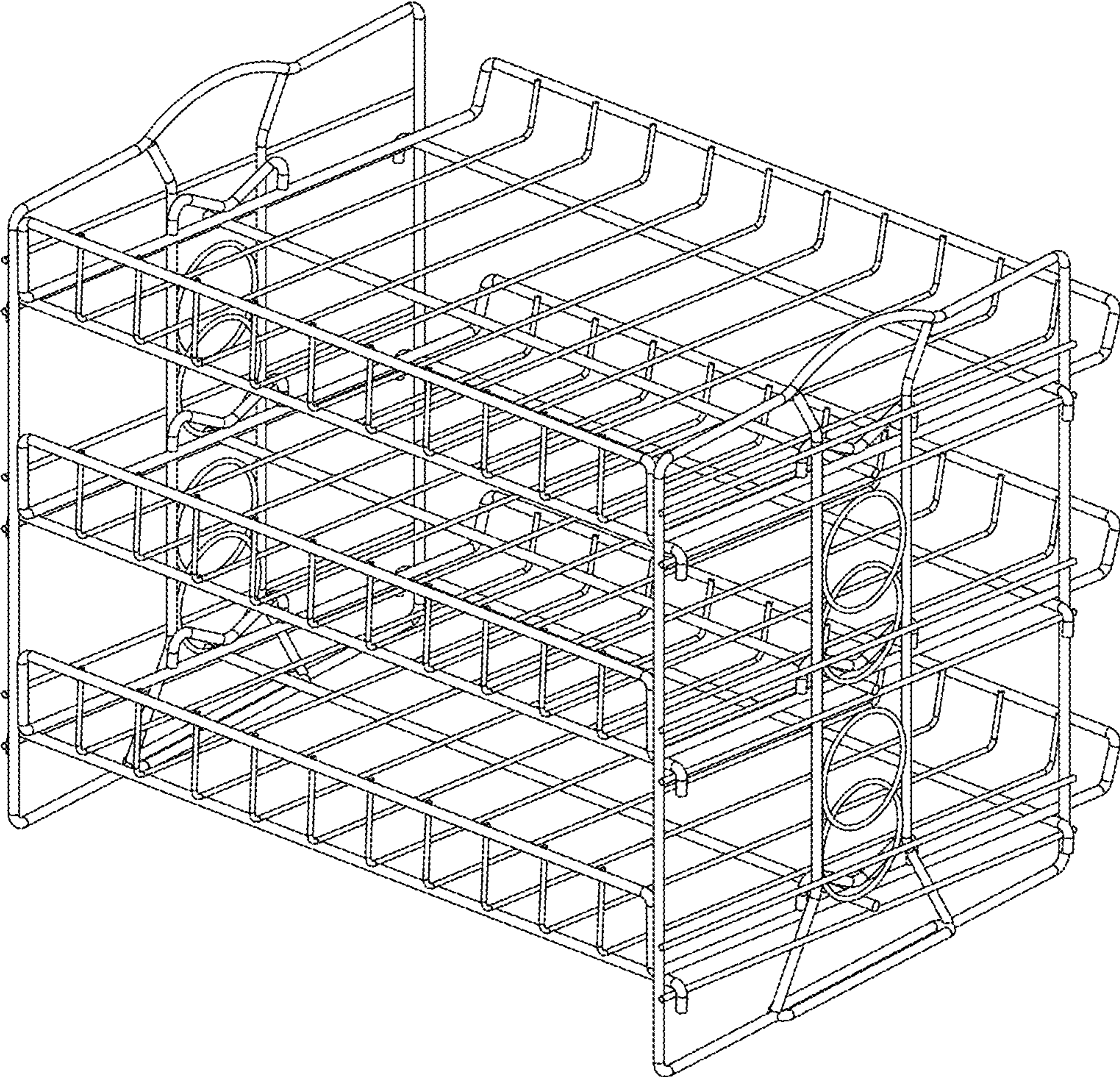


FIG.7

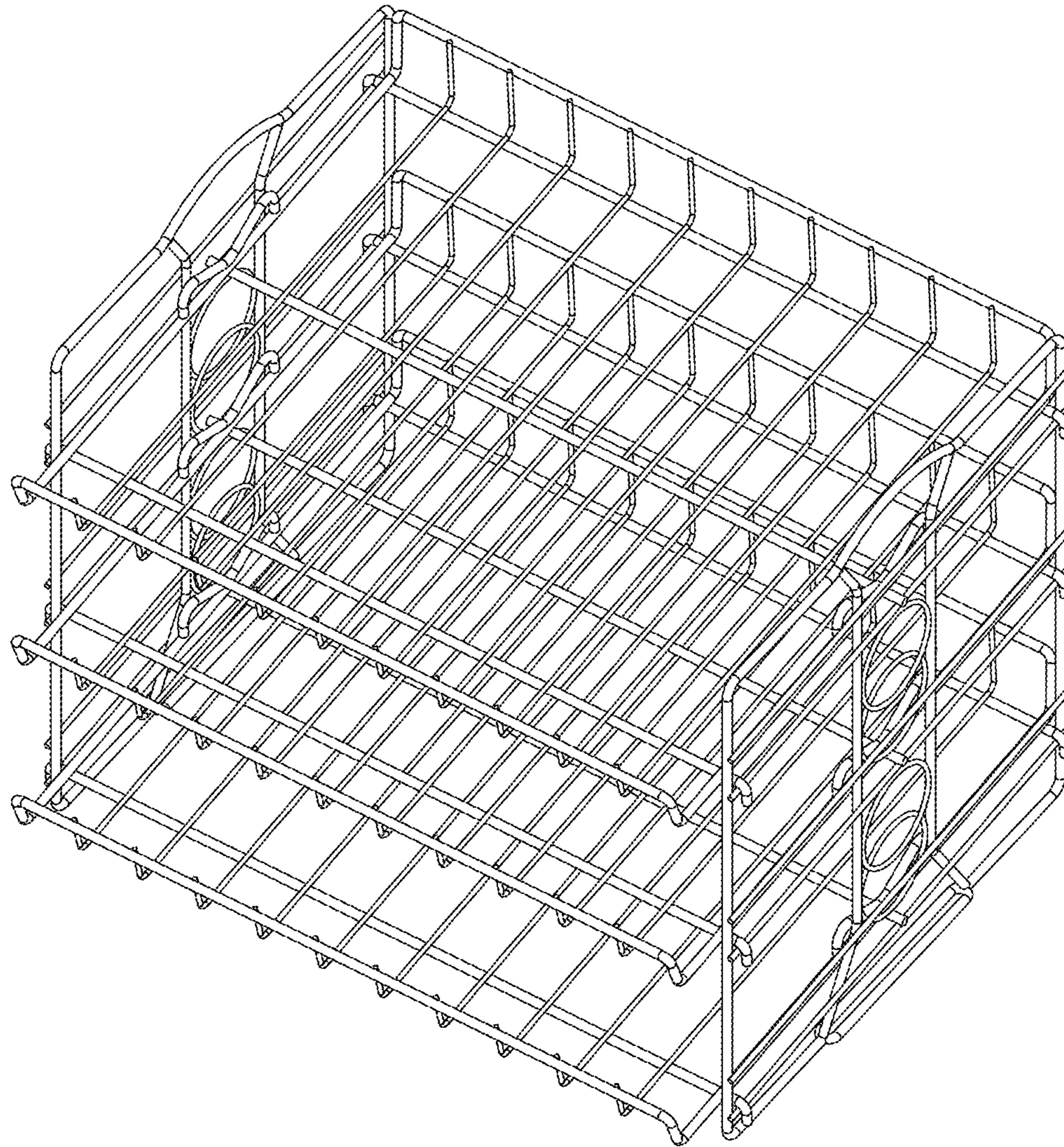


FIG.8

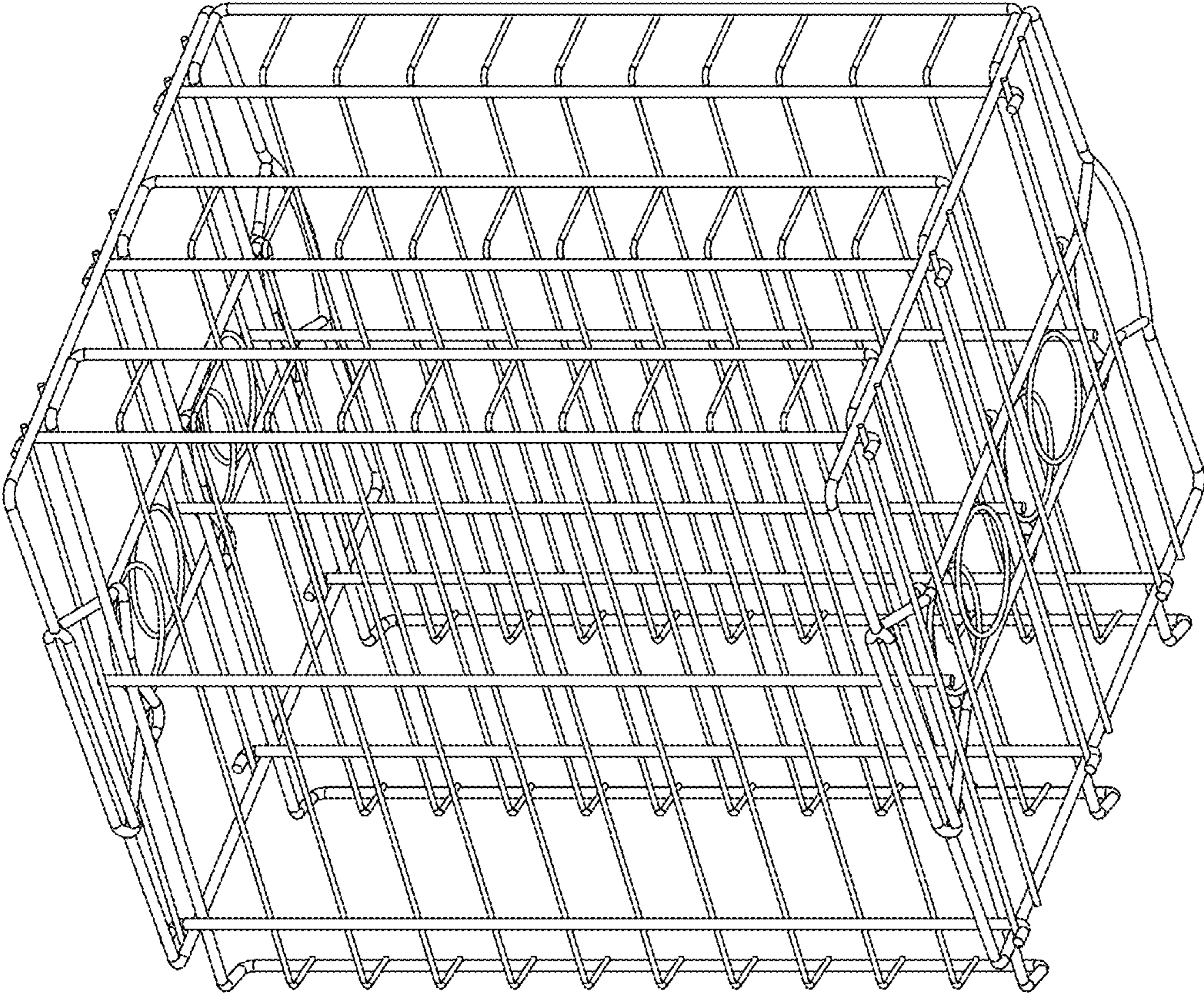


FIG.9