



US00D804224S

(12) **United States Design Patent**
Robins

(10) **Patent No.:** **US D804,224 S**
(45) **Date of Patent:** **** Dec. 5, 2017**

- (54) **EASEL**
- (71) Applicant: **Bruce Robins**, Merion Station, PA (US)
- (72) Inventor: **Bruce Robins**, Merion Station, PA (US)
- (73) Assignee: **HASKELL OFFICE**, Bala Cynwyd, PA (US)
- (**) Term: **15 Years**
- (21) Appl. No.: **29/569,684**
- (22) Filed: **Jun. 29, 2016**
- (51) **LOC (10) Cl.** **20-02**
- (52) **U.S. Cl.**
USPC **D6/675.4; D19/113**
- (58) **Field of Classification Search**
USPC ... D6/310, 312, 675-675.4, 678-678.4, 682, D6/572
CPC A47F 7/144; A47F 7/163
See application file for complete search history.

- 3,149,727 A * 9/1964 Magers A47F 7/144
211/133.1
- 3,173,386 A 3/1965 Magers
- 3,190,603 A 6/1965 Finnemann
- 3,467,259 A 9/1969 Silver
- D217,159 S * 4/1970 Levy D6/678.3
- 3,534,863 A * 10/1970 Howard A47F 7/163
211/133.1
- D244,818 S * 6/1977 Schweitzer D6/572
- 4,098,009 A 7/1978 Flynn
- D251,695 S 4/1979 Miller et al.
- 4,197,673 A 4/1980 Thomas
- 4,197,950 A * 4/1980 Ovitz, III A47F 7/163
211/134
- D258,790 S * 4/1981 Ovitz, III D6/682
- 4,824,064 A 4/1989 Oncale
- 4,971,284 A 11/1990 Curry
- D319,926 S 9/1991 Solomon

(Continued)

Primary Examiner — Caron D Veynar
Assistant Examiner — Melvin L Davis
(74) *Attorney, Agent, or Firm* — Law Offices of Robert F. Zielinski, LLC

(57) **CLAIM**

The ornamental design for the easel, as shown and described.

DESCRIPTION

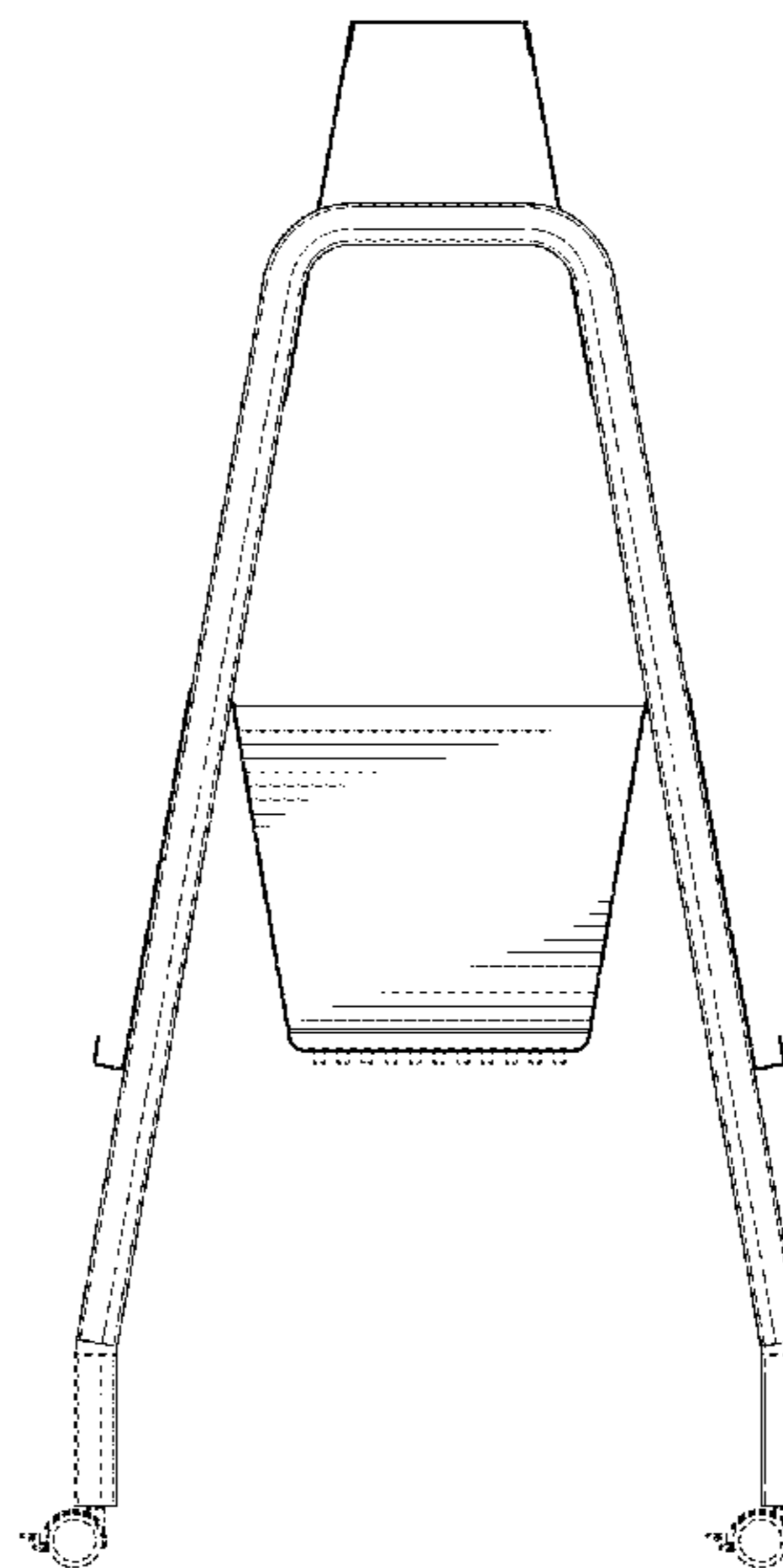
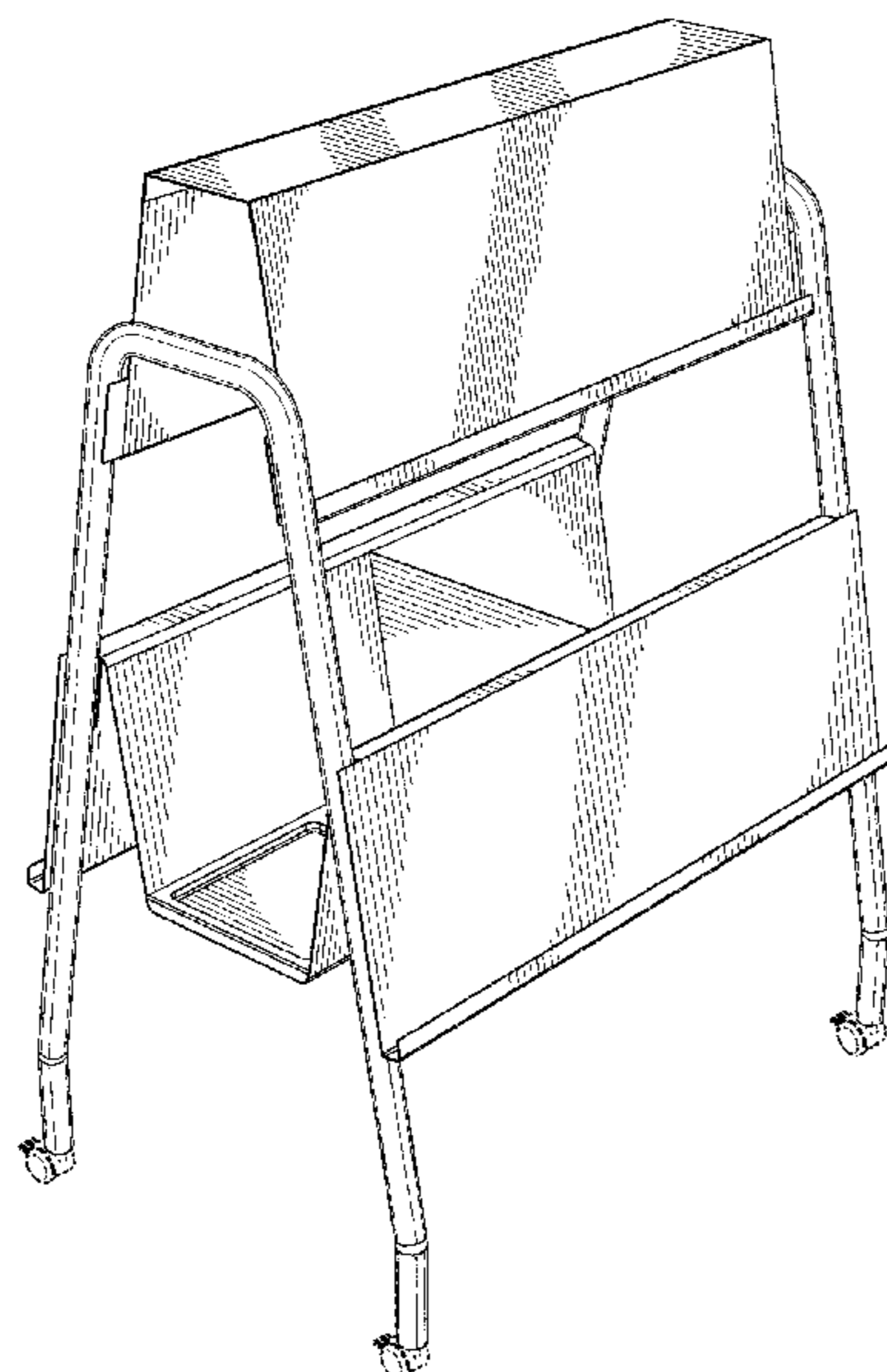
FIG. 1 is a top, front, left side perspective view of the easel embodying my new design.
FIG. 2 is a front side elevational view thereof;
FIG. 3 is a rear side elevational view thereof;
FIG. 4 is a left side elevational view thereof;
FIG. 5 is a right side elevational view thereof;
FIG. 6 is a top plan view thereof; and,
FIG. 7 is a bottom plan view thereof.
The broken line showing of portions of the design form no part of the claimed design.

1 Claim, 7 Drawing Sheets

(56) **References Cited**

U.S. PATENT DOCUMENTS

- 396,191 A 10/1888 Ritterhouse
- 392,565 A 11/1888 Larew
- 549,630 A 11/1895 Cole
- 1,664,036 A 3/1928 Jarvis
- 1,680,056 A 8/1928 Mathias
- 1,810,826 A 6/1931 Gray
- 1,877,669 A 9/1932 Herman
- 1,989,216 A 1/1935 Shaw et al.
- 2,002,128 A 5/1935 Reidenbaugh
- 2,016,421 A 10/1935 Eichner
- 2,485,517 A 10/1949 Vaule et al.
- D175,034 S * 6/1955 Mohr D6/678.3
- 2,833,550 A 5/1958 Frick
- 2,902,239 A 9/1959 Janecka, Jr.
- 2,981,030 A 4/1961 Knop



(56)

References Cited

U.S. PATENT DOCUMENTS

5,094,352 A 3/1992 Green et al.
D330,104 S * 10/1992 Ackley D34/17
5,273,248 A 12/1993 Grander
D369,833 S 5/1996 Egan et al.
5,553,724 A * 9/1996 Moher A47F 7/0064
211/150
D380,232 S 6/1997 Egan et al.
D401,279 S 11/1998 Thorp et al.
D401,625 S 11/1998 Verbeek
D404,208 S 1/1999 Beno
5,899,429 A 5/1999 McCloud
5,941,713 A 8/1999 Wayner et al.
D417,536 S 12/1999 Sum
D431,910 S 10/2000 Glass
6,837,385 B2 1/2005 Bennett et al.
6,880,278 B1 4/2005 Connors
6,955,130 B2 10/2005 Phillips
6,966,136 B2 11/2005 Connors
D541,078 S * 4/2007 Flaum D6/678.3
7,325,343 B2 2/2008 Seiber et al.
7,441,358 B1 10/2008 Ngan
7,581,650 B1 * 9/2009 Shen A47F 7/145
211/55
D612,171 S * 3/2010 Wade D6/629
D613,963 S 4/2010 Eckenswiler
D626,763 S 11/2010 Koh
7,857,277 B2 12/2010 Bertrand
7,886,916 B2 2/2011 Alyn
2003/0150828 A1 8/2003 Bennett et al.

* cited by examiner

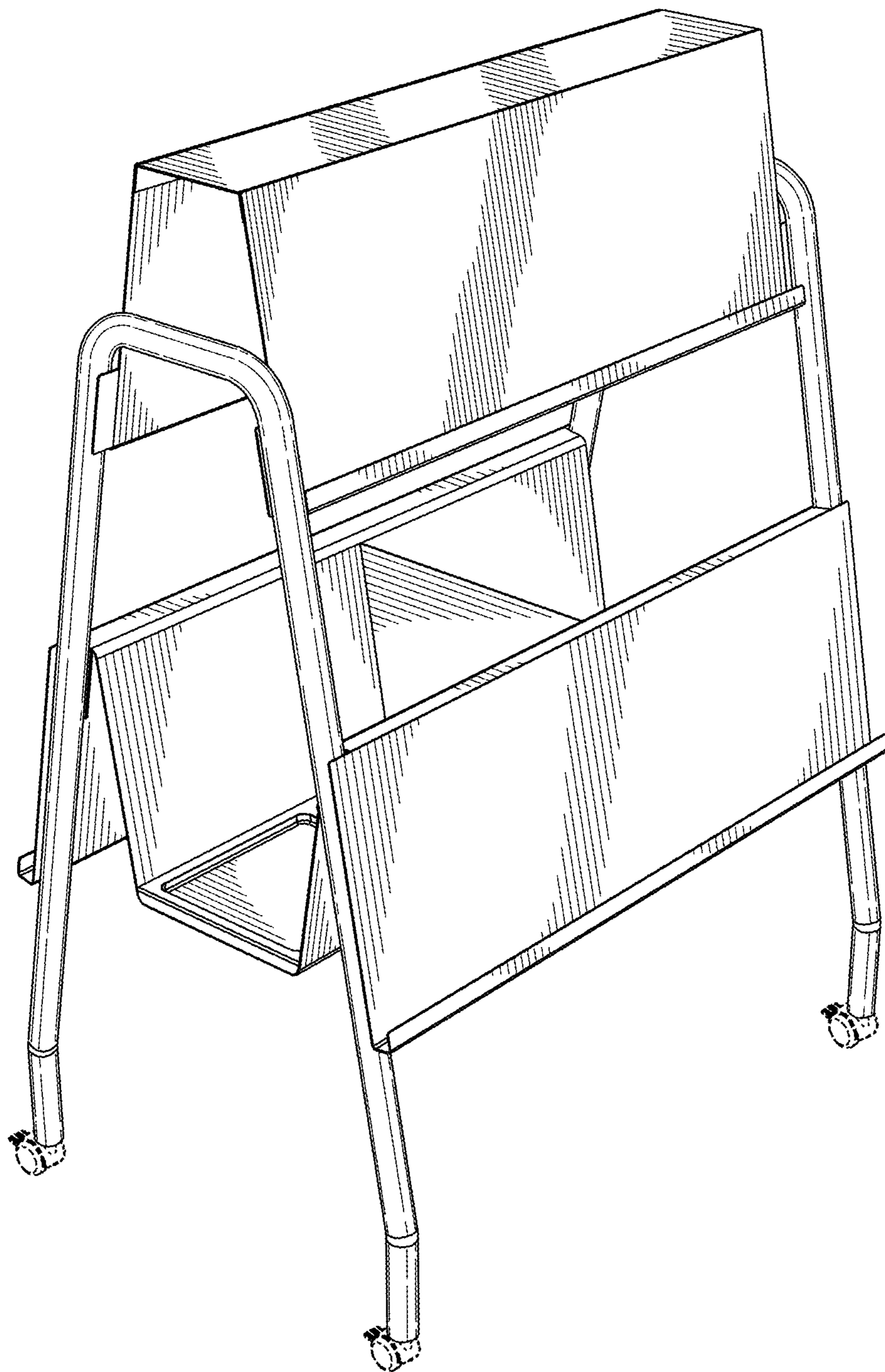


FIG. 1

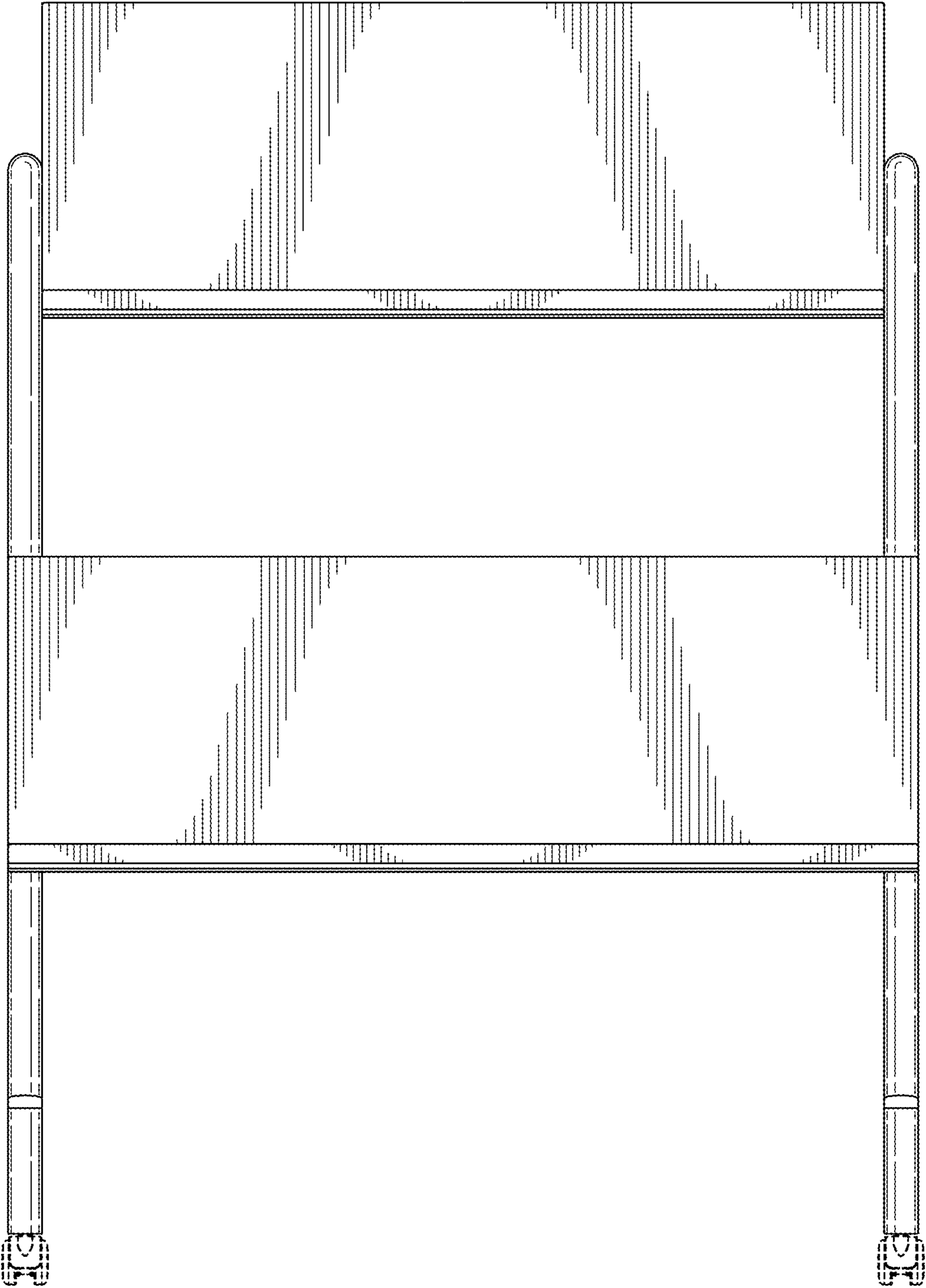


FIG. 2

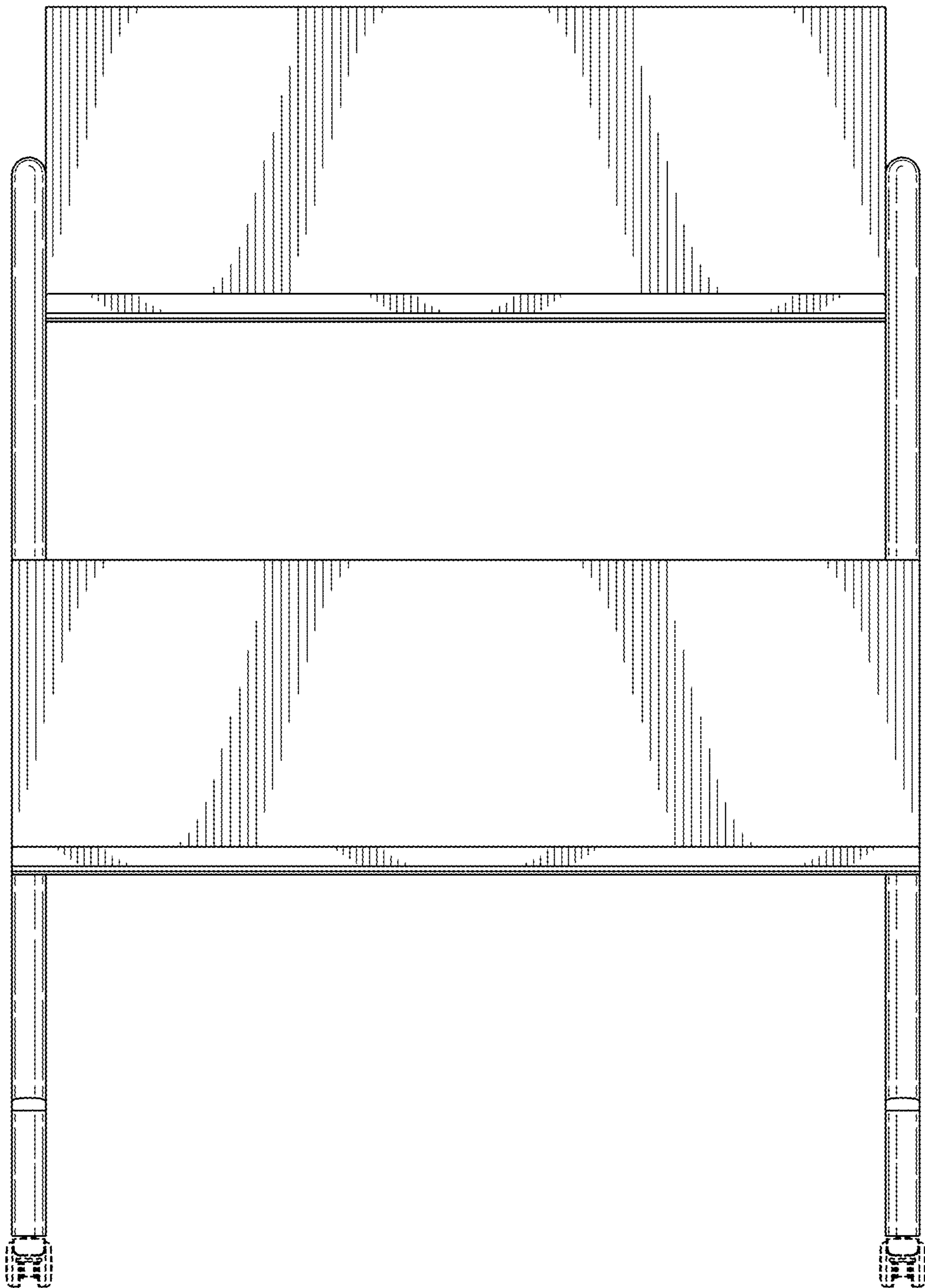


FIG. 3

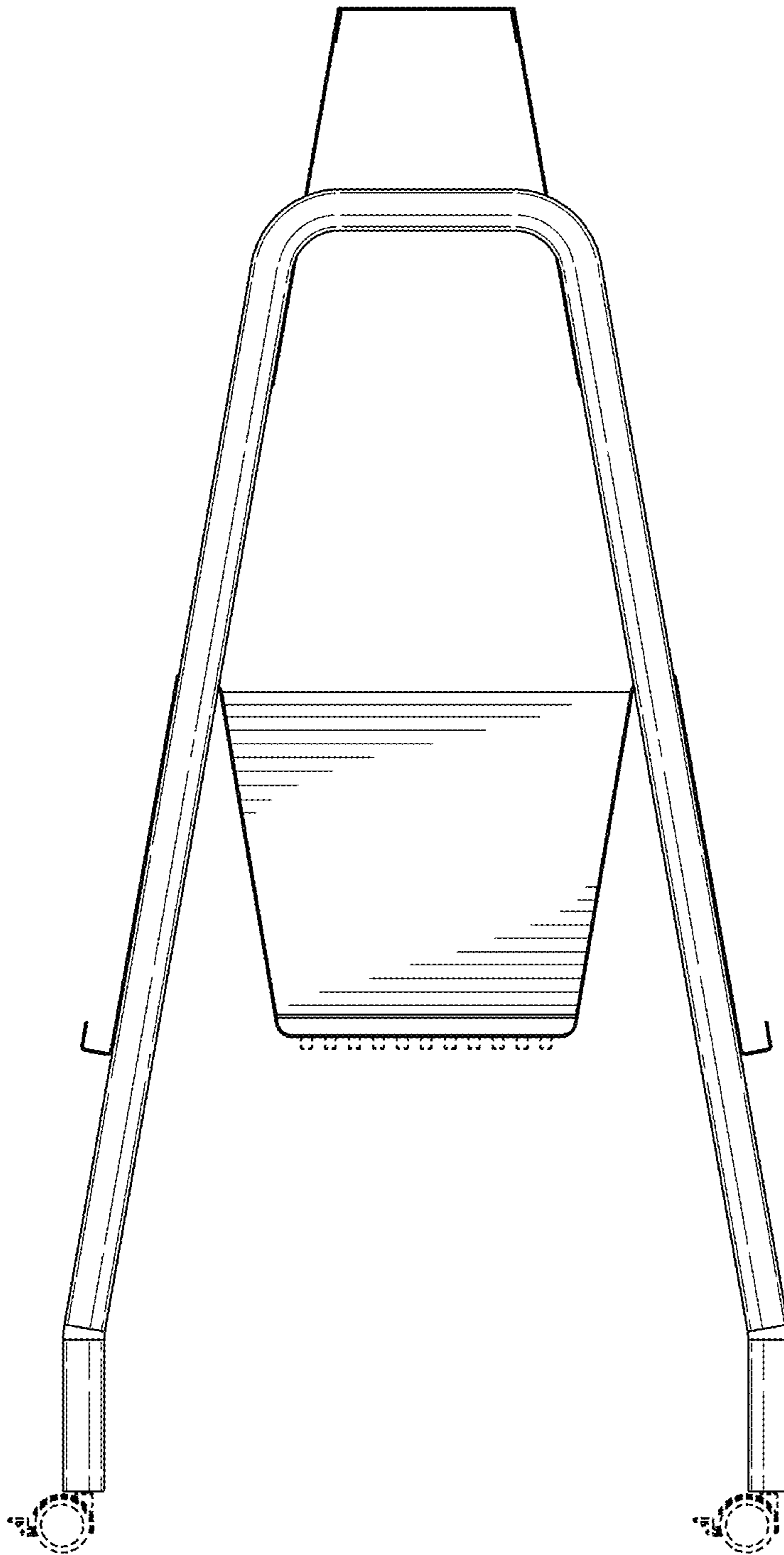


FIG. 4

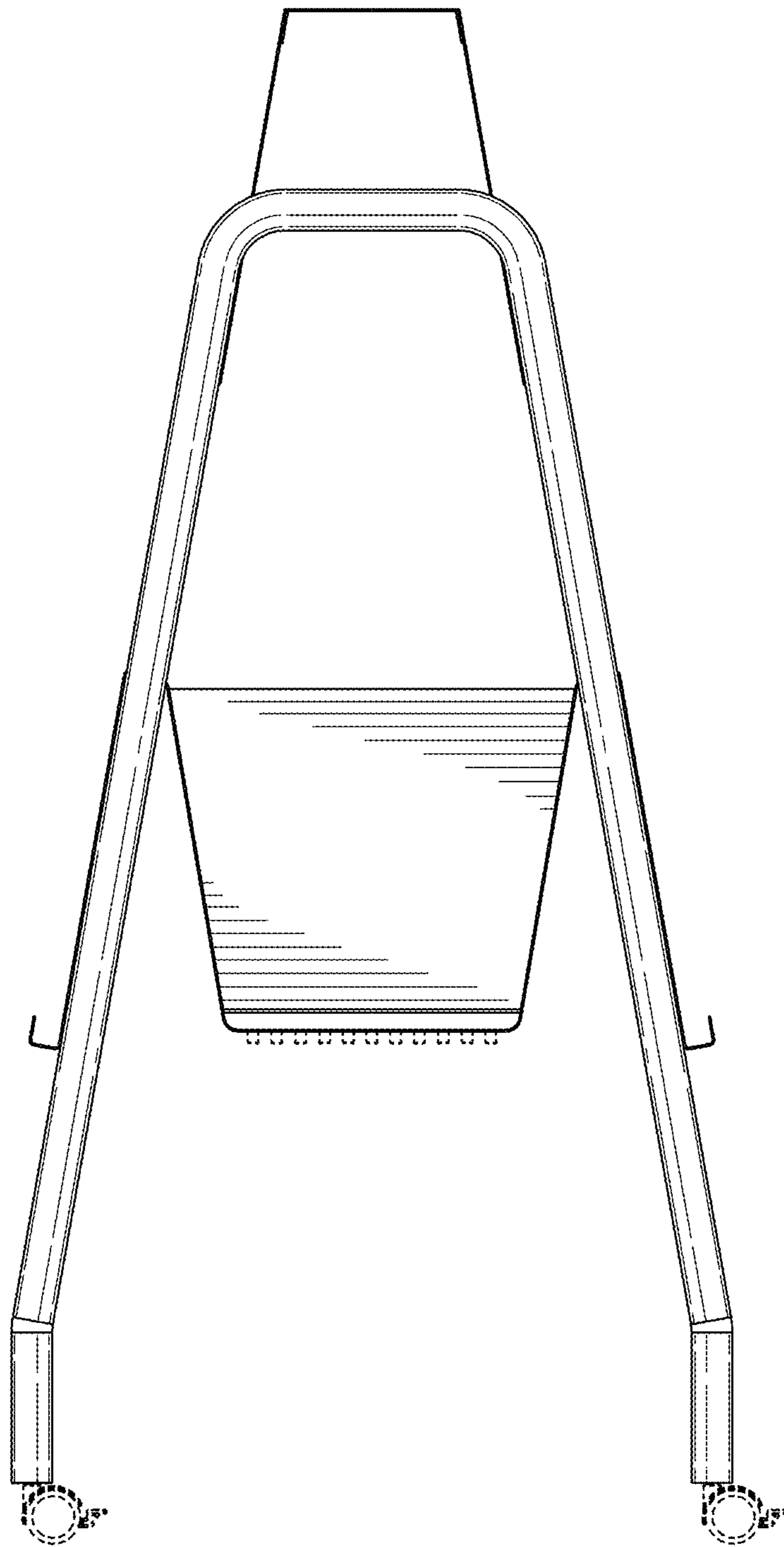


FIG. 5

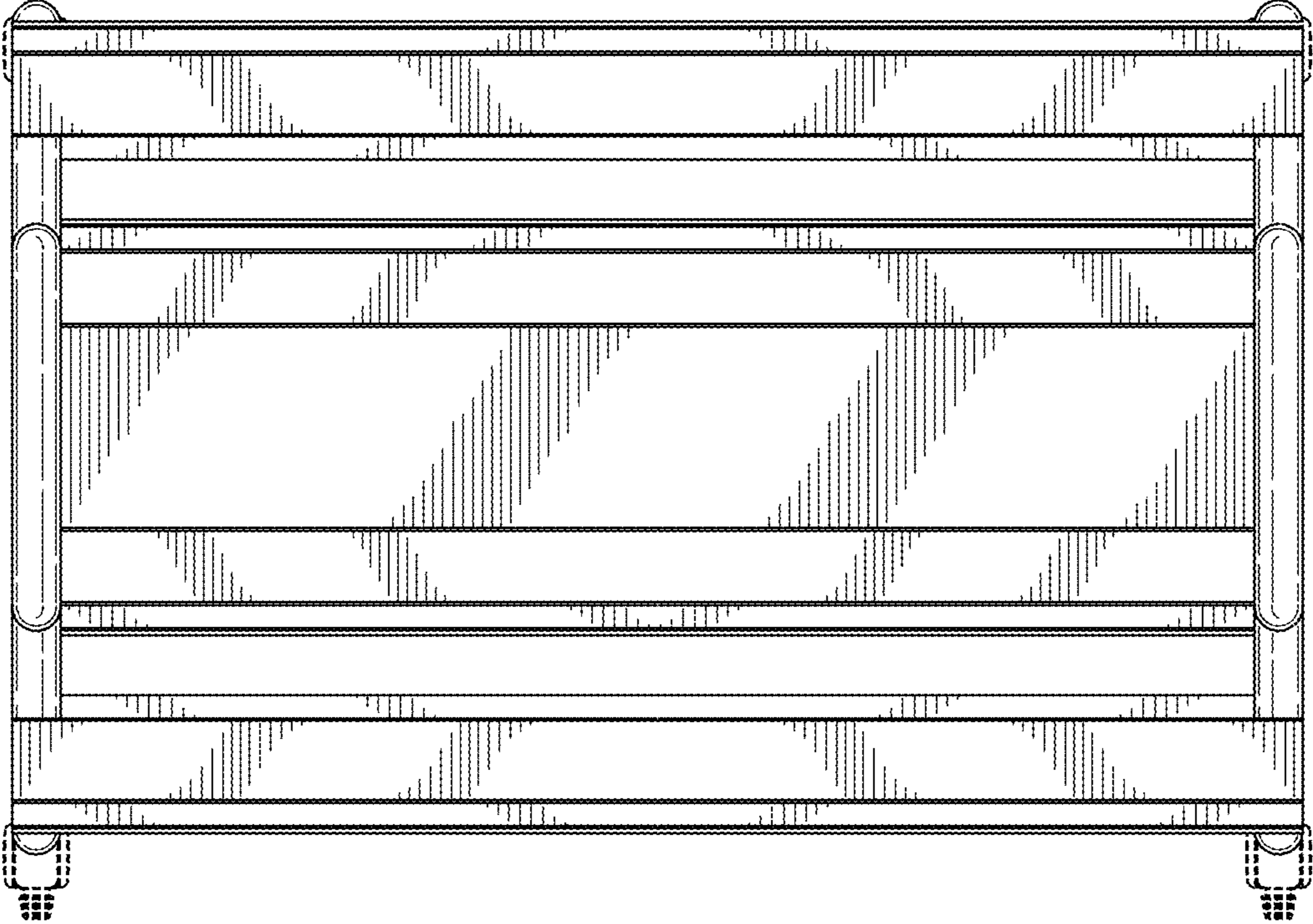


FIG. 6

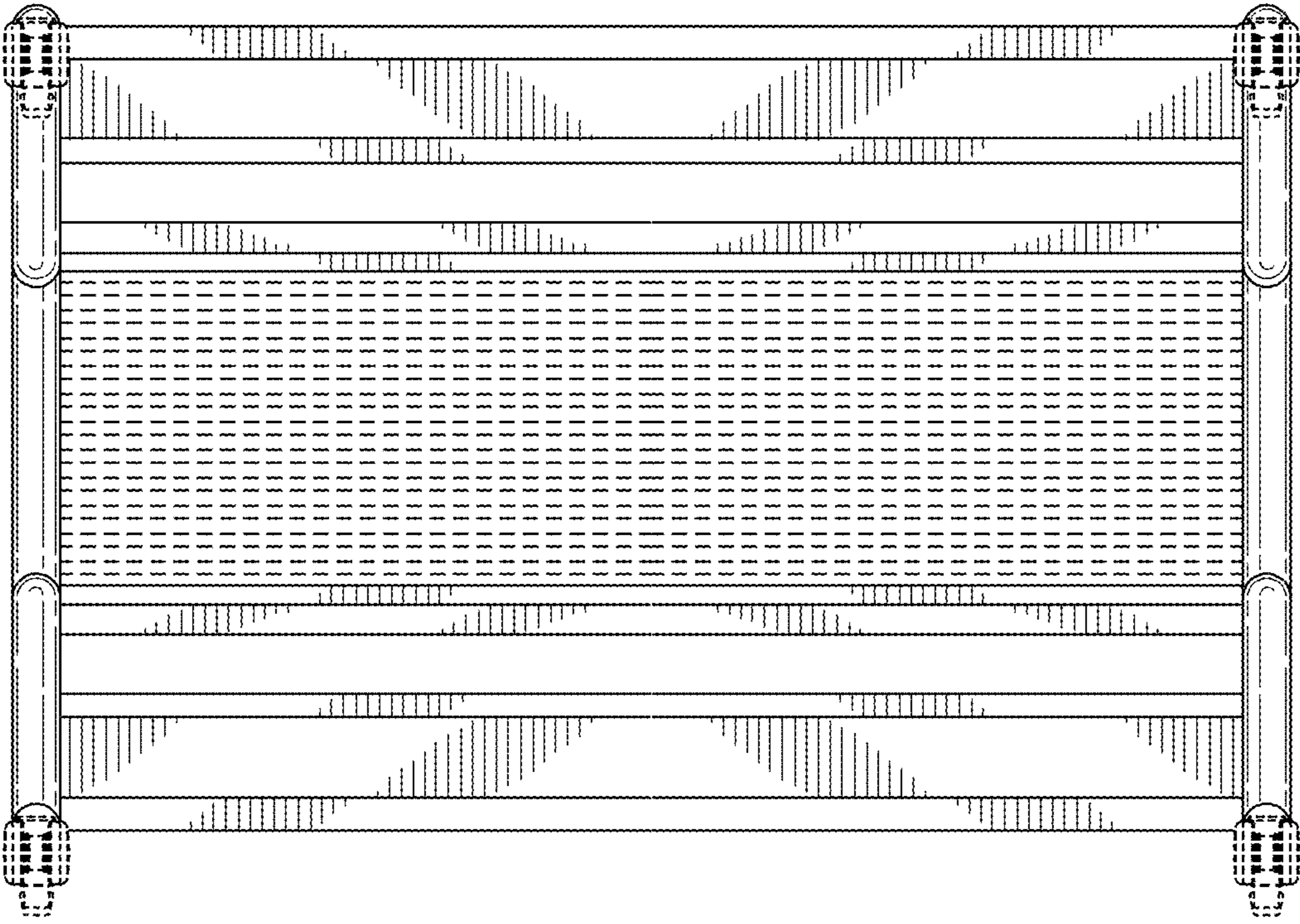


FIG. 7