



US00D804223S

(12) **United States Design Patent** (10) **Patent No.:** **US D804,223 S**  
**Lovelace** (45) **Date of Patent:** **\*\* Dec. 5, 2017**

- (54) **GUN SHELL CASING DISPLAY**
- (71) Applicant: **Creative Solutions by Design, Ltd.**,  
Williamsburg, VA (US)
- (72) Inventor: **William E Lovelace**, Williamsburg, VA  
(US)
- (73) Assignee: **CREATIVE SOLUTIONS BY  
DESIGN, LTD.**, Williamsburg, VA  
(US)
- (\*\*) Term: **15 Years**
- (21) Appl. No.: **29/596,149**
- (22) Filed: **Mar. 6, 2017**
- (51) **LOC (10) Cl.** ..... **06-04**
- (52) **U.S. Cl.**  
USPC ..... **D6/673**
- (58) **Field of Classification Search**  
USPC ..... D6/672, 673, 675, 675.1, 675.3, 675.4,  
D6/678, 678.2, 678.3; D3/20, 24;  
D11/157, 161; D24/227  
CPC .... A47F 1/00; A47F 3/00; A47F 3/007; A47F  
3/02; A47F 3/0439; A47F 3/08; A47F  
5/0043; A47F 5/16; A47F 2005/165;  
A47F 7/0021; A47F 7/0028  
See application file for complete search history.

- D248,194 S \* 6/1978 Urben ..... D3/20
- D250,927 S \* 1/1979 Lewis ..... D6/657
- 4,142,633 A \* 3/1979 Raghavachari ..... A61M 5/008  
141/27
- 4,202,569 A \* 5/1980 Thuringer ..... D04G 3/02  
206/564
- 4,973,315 A \* 11/1990 Sincock ..... A61M 5/3213  
206/365
- D323,245 S \* 1/1992 Hobson ..... D3/313
- D332,664 S \* 1/1993 Sincock ..... D24/130
- D354,351 S \* 1/1995 Kochansky ..... D24/130
- D359,636 S \* 6/1995 Rosenberg ..... D6/672
- D363,397 S \* 10/1995 Cohen ..... D6/672
- D508,797 S \* 8/2005 Craig ..... D6/672
- D540,566 S \* 4/2007 Scholen ..... D6/672
- D555,936 S \* 11/2007 King ..... D6/675.3
- D590,183 S \* 4/2009 Hensel ..... D6/672
- D626,764 S \* 11/2010 Harris ..... D6/675.3
- D673,392 S \* 1/2013 Noppe ..... D6/675.3
- D690,137 S \* 9/2013 Kikkert ..... D6/672
- D706,558 S \* 6/2014 Yates ..... D6/675.3

\* cited by examiner

*Primary Examiner* — John Windmuller

*Assistant Examiner* — Steven Cxyz

(74) *Attorney, Agent, or Firm* — Peter J. Van Bergen

(57) **CLAIM**

I claim the ornamental design for a gun shell casing display, as shown and described.

(56) **References Cited**

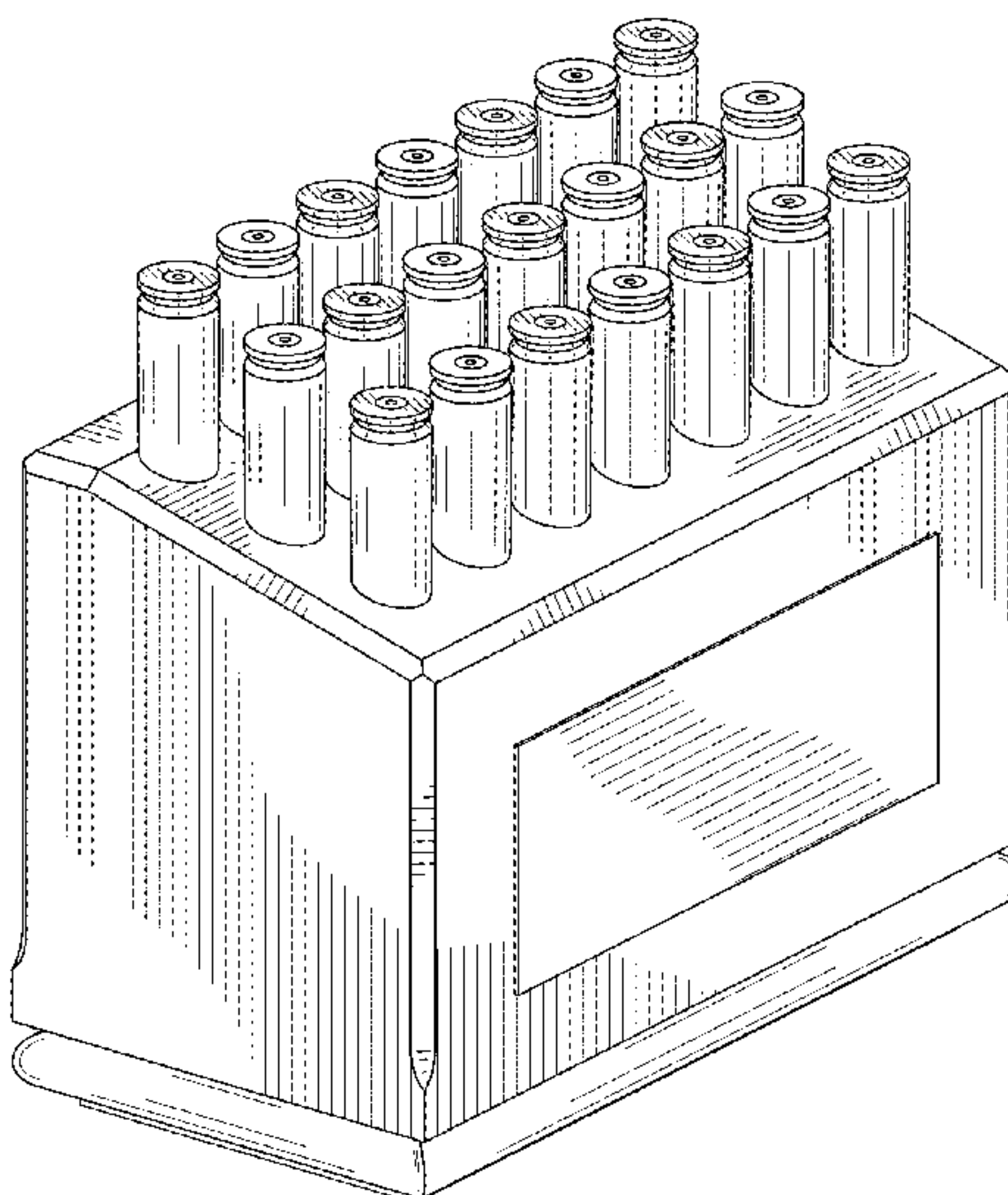
U.S. PATENT DOCUMENTS

- D56,992 S \* 1/1921 Roberts et al. .... D6/675.3
- D107,803 S \* 1/1938 Smith et al. .... D6/672
- 2,362,367 A \* 11/1944 Freeman ..... G09F 5/02  
211/150
- D157,024 S \* 1/1950 Bacco et al. .... D6/675.3
- 2,995,280 A \* 8/1961 Thierry ..... F42B 39/02  
224/239
- D208,469 S \* 9/1967 Parker et al. .... D19/85
- 3,424,298 A \* 1/1969 Randolph ..... F42B 39/26  
206/3

**DESCRIPTION**

FIG. 1 is a perspective view of a gun shell casing display showing the new design;  
 FIG. 2 is a bottom perspective view thereof;  
 FIG. 3 is a top plan view thereof;  
 FIG. 4 is a bottom plan view thereof;  
 FIG. 5 is a side view thereof;  
 FIG. 6 is front view thereof; and,  
 FIG. 7 is a back view thereof.

**1 Claim, 7 Drawing Sheets**



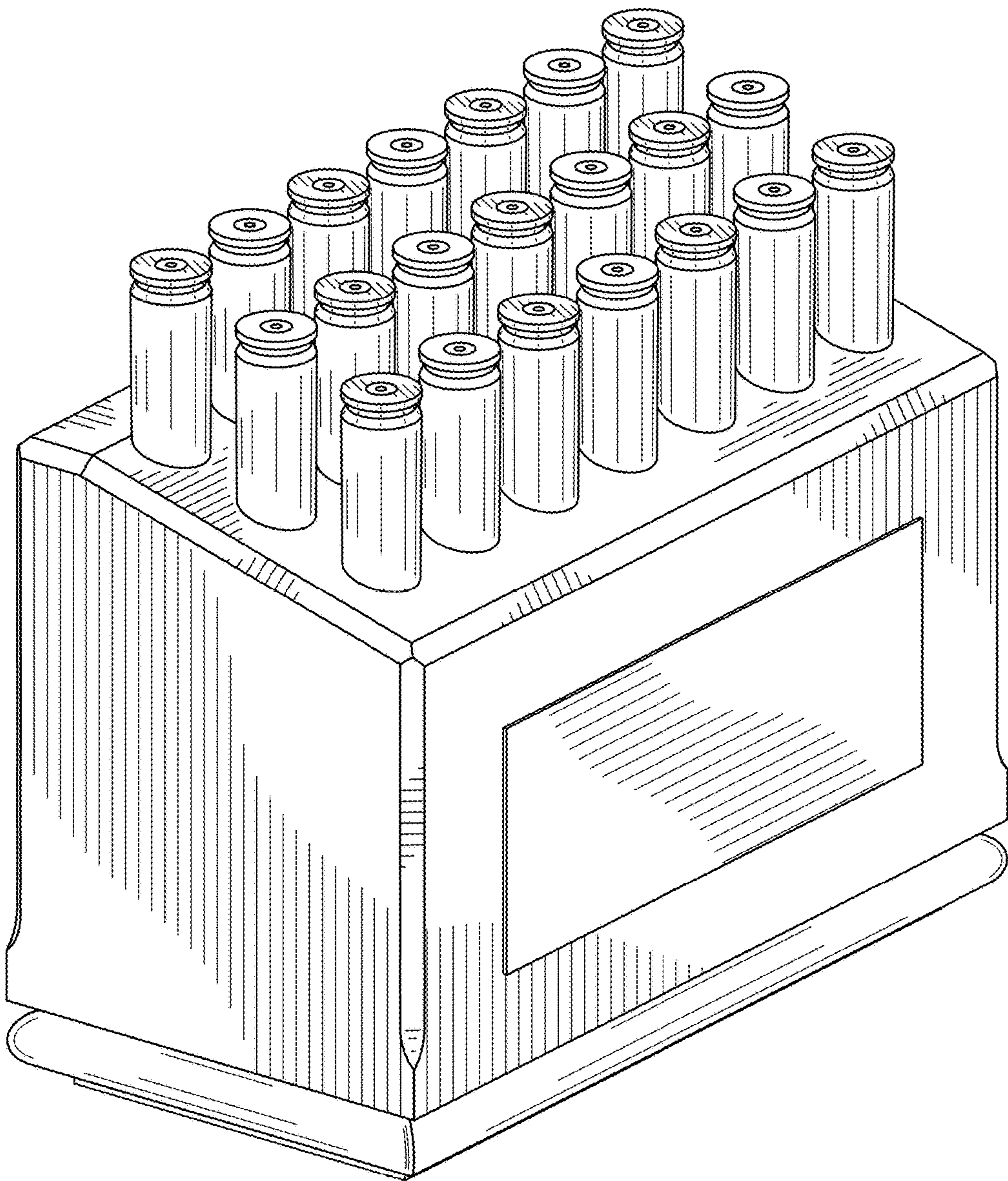


FIG. 1



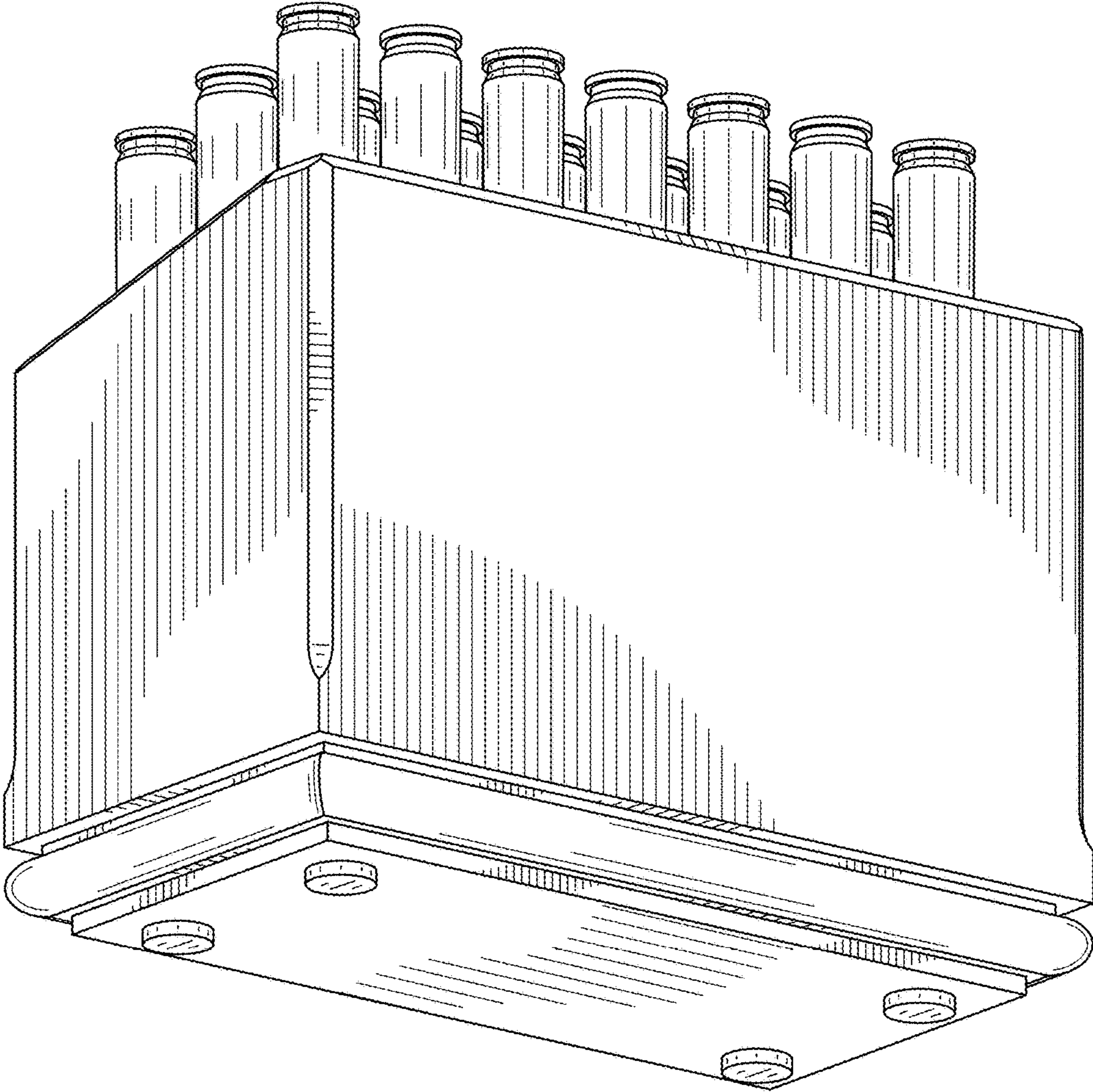


FIG. 2

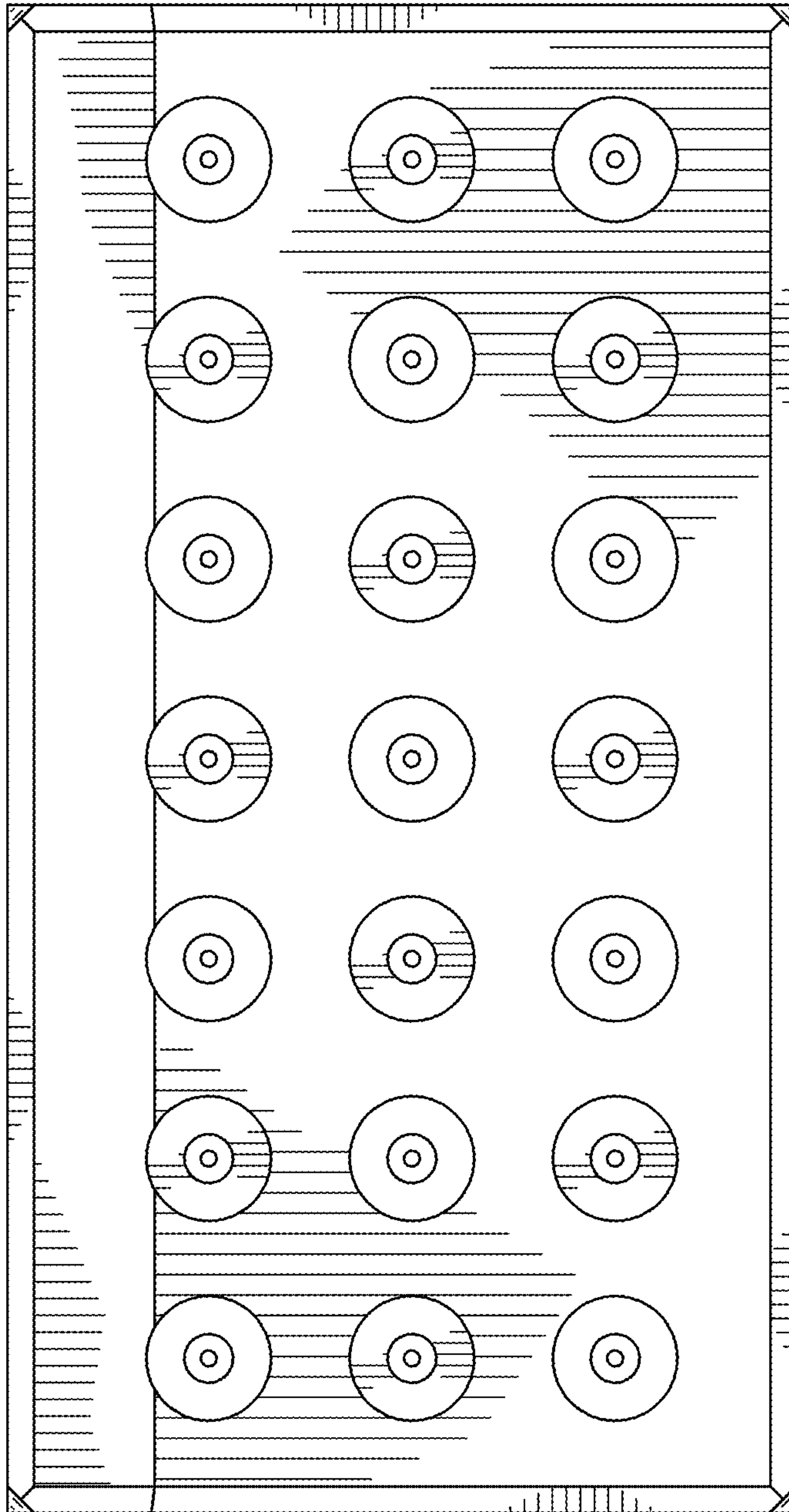


FIG. 3

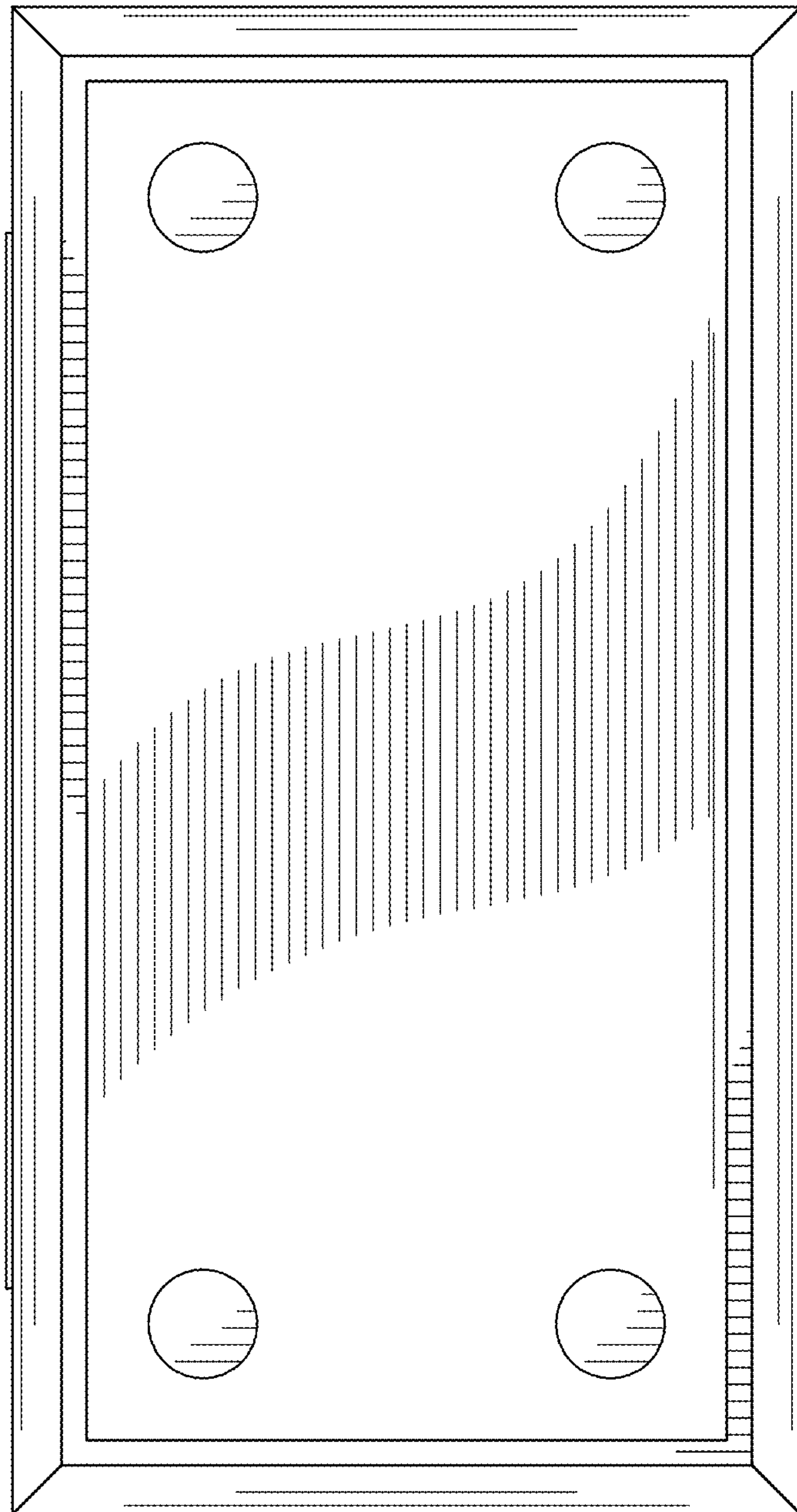


FIG. 4

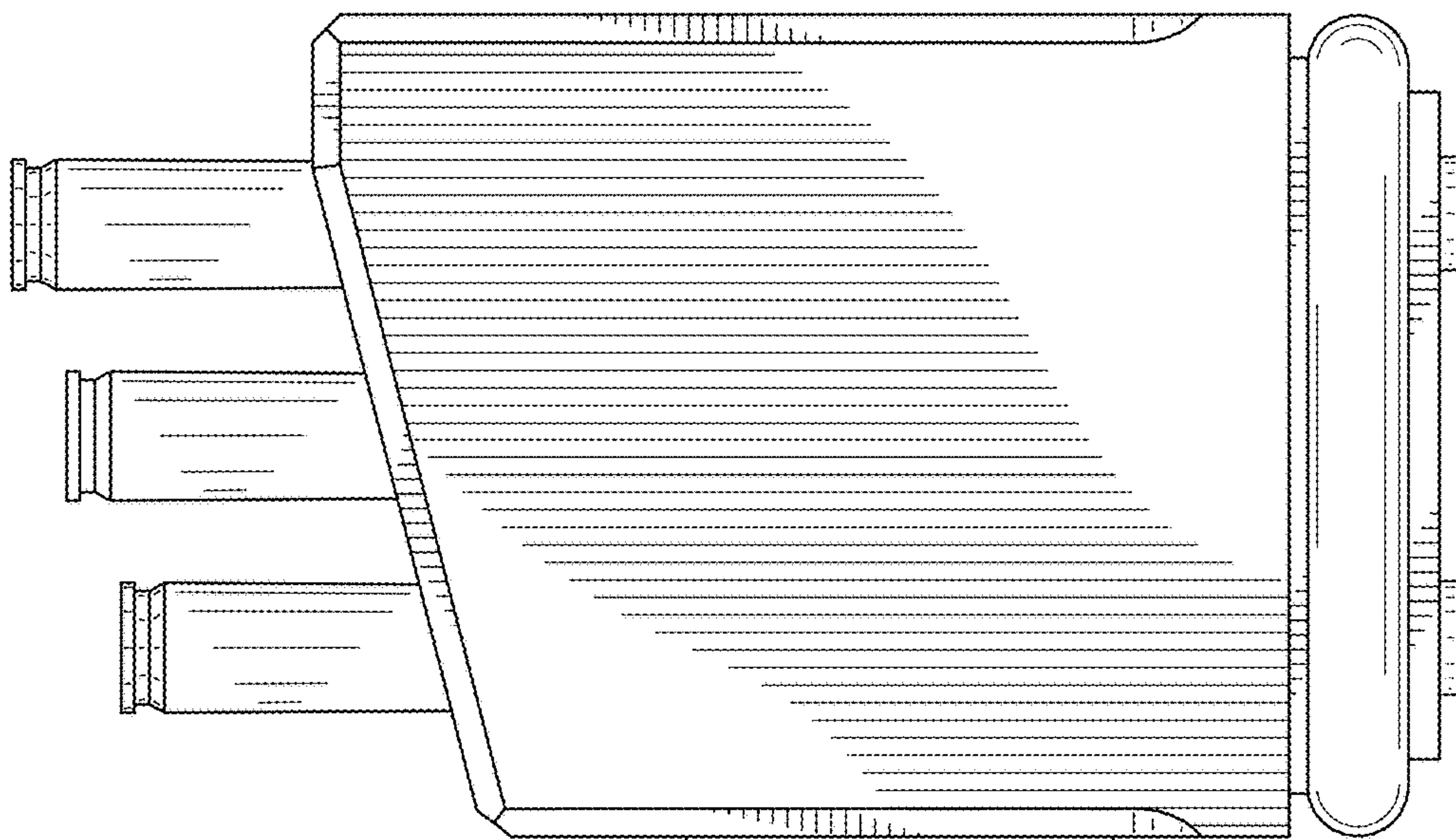


FIG. 5



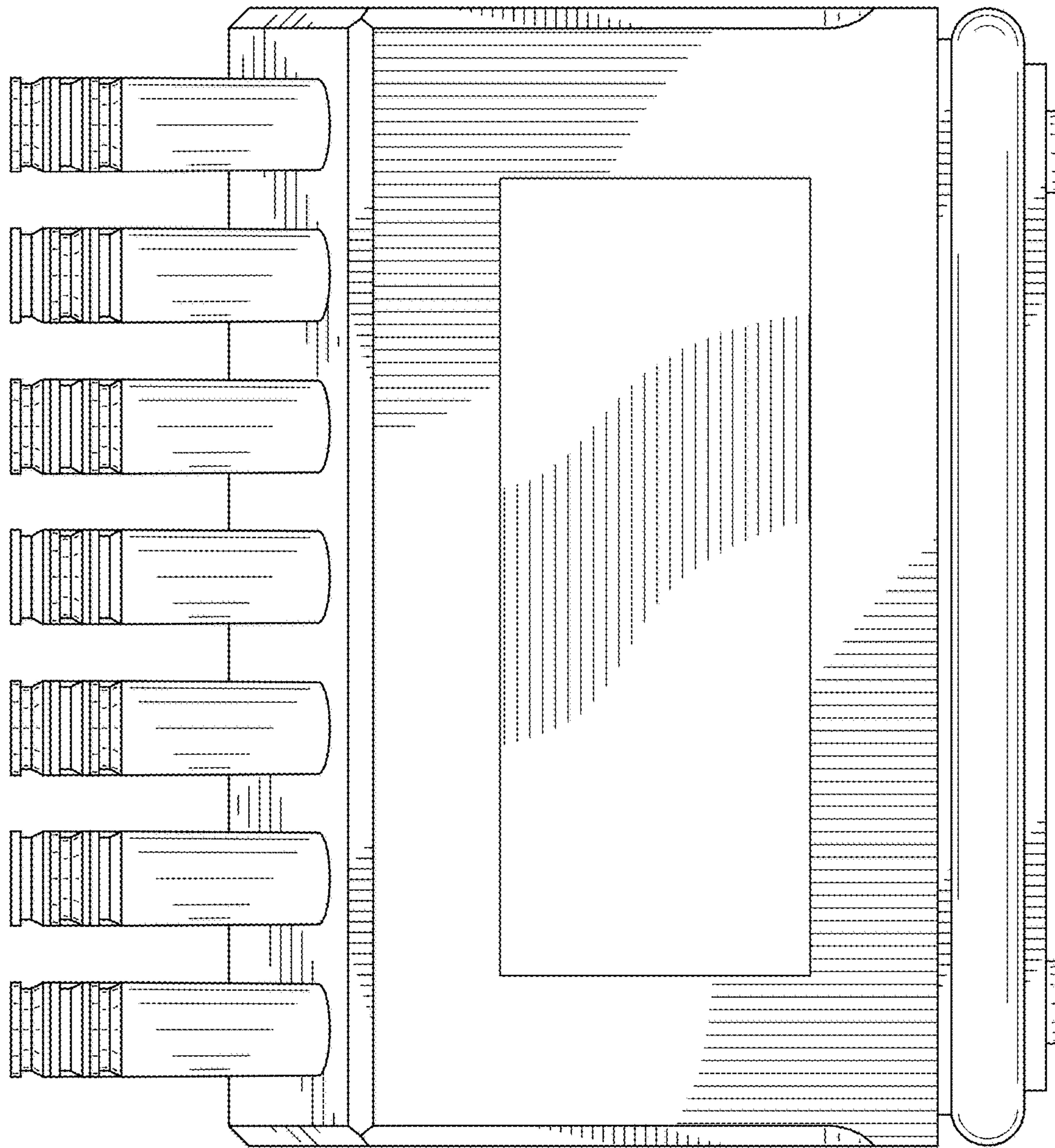


FIG. 6

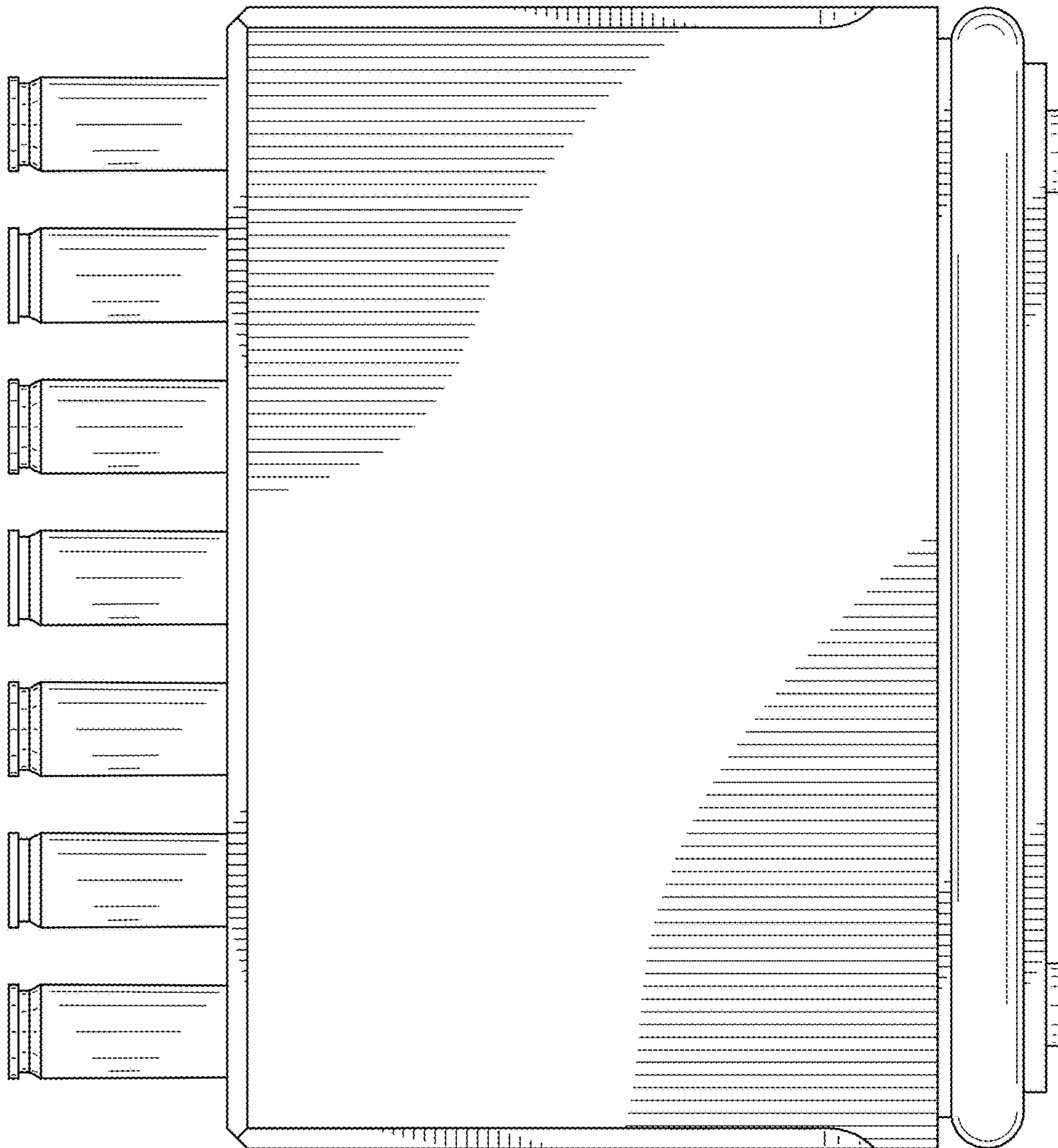


FIG. 7