



US00D804222S

(12) **United States Design Patent**
Leleu et al.

(10) **Patent No.: US D804,222 S**

(45) **Date of Patent: ** Dec. 5, 2017**

(54) **DESK**
(71) Applicants: **Arnaud Leleu**, Menthon-Saint-Bernard (FR); **Igor Manceau**, Bluffy (FR)
(72) Inventors: **Arnaud Leleu**, Menthon-Saint-Bernard (FR); **Igor Manceau**, Bluffy (FR)

(**) Term: **15 Years**

(21) Appl. No.: **35/500,055**

(22) Filed: **Jun. 26, 2015**

(80) **Hague Agreement Data**

Int. Filing Date: **Jun. 26, 2015**
Int. Reg. No.: **DM/086879**
Int. Reg. Date: **Jun. 26, 2015**
Int. Reg. Pub. Date: **Jul. 17, 2015**

(51) **LOC (10) Cl.** **06-03**

(52) **U.S. Cl.**
USPC **D6/641**

(58) **Field of Classification Search**
USPC D6/310, 641, 647, 648.1, 654, 654.14, D6/654.21, 656, 656.1, 656.16, 708
CPC A47B 41/00; A47B 41/02; A47B 21/00; A47B 17/00; A47B 17/006; A47B 23/00; A47B 27/00; A47B 27/02; A47B 27/04; A47B 27/14; A47B 27/18; A47B 3/00; A47B 3/0815; A47B 19/06
See application file for complete search history.

(56) **References Cited**

U.S. PATENT DOCUMENTS

1,766,616 A * 6/1930 Faris A47B 3/00
108/132
D123,806 S * 12/1940 Griese D6/654.21

4,372,631 A * 2/1983 Leon A47B 27/02
108/6
D295,474 S * 5/1988 Uredat-Neuhoff D6/656.16
D336,394 S * 6/1993 Ball D6/656.13
D346,287 S * 4/1994 Rosen D6/310
D370,795 S * 6/1996 Skov D6/656.11
5,855,351 A * 1/1999 Cziraky A47B 97/04
248/451
5,957,062 A * 9/1999 Cox A47B 3/0815
108/133
6,425,567 B2 * 7/2002 Schutze A47B 19/06
108/6
D506,091 S * 6/2005 Cioncada D6/656
D728,974 S * 5/2015 Vats D14/305
D752,908 S * 4/2016 McGrath D19/91

* cited by examiner

Primary Examiner — Mary Ann Calabrese

(57) **CLAIM**

The ornamental design for a desk, as shown and described.

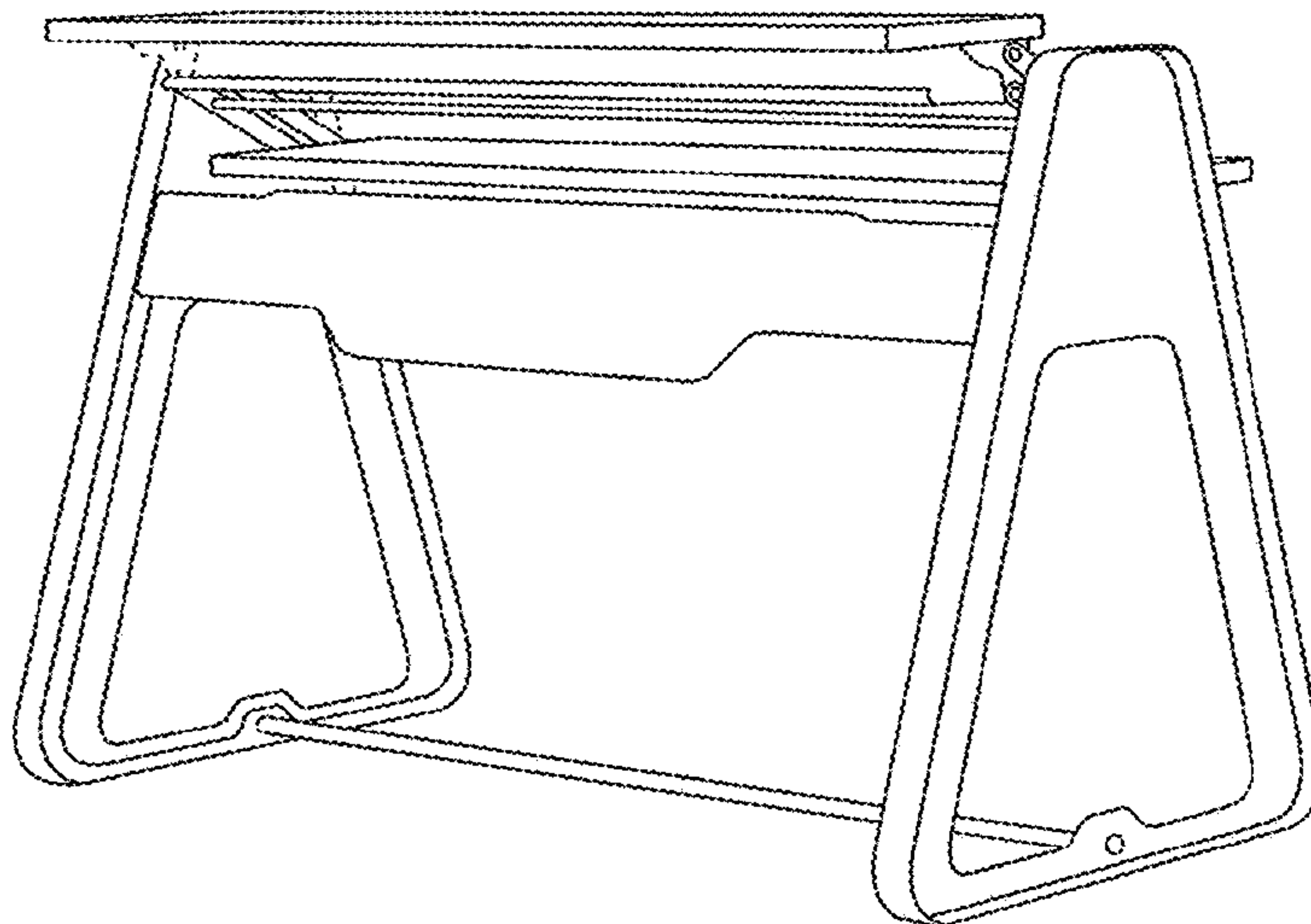
DESCRIPTION

1. Desk

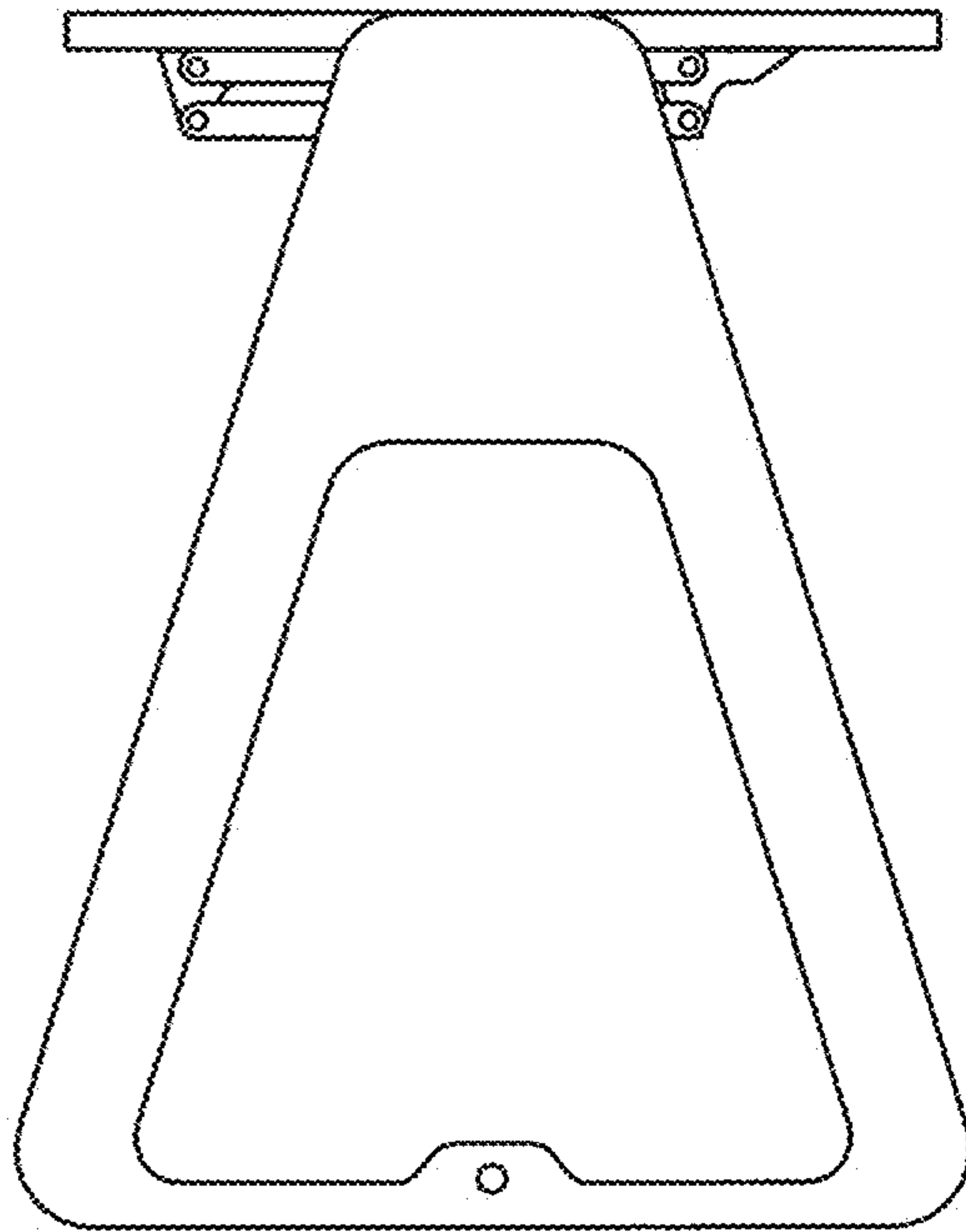
1.1 is a right side profile view of the desk showing my new design, trays are in a horizontal and flat position; and **1.2** is a rear and left side perspective view of the desk showing the rear tray in a lowered position and the front tray in a raised position.

Protection is not sought for those portions of the desk shown in broken lines, and such portions form no part of the claimed design.

1 Claim, 2 Drawing Sheets



1.1



1.2

